



US00D651458S

(12) **United States Design Patent**
Segers et al.

(10) **Patent No.:** **US D651,458 S**
(45) **Date of Patent:** **** Jan. 3, 2012**

(54) **COOKING APPLIANCE CONTROL KNOB**

(75) Inventors: **Hermann-Reinhard Segers**, München (DE); **Sören Strayle**, München (DE)

(73) Assignee: **BSH Bosch und Siemens Hausgeraete GmbH**, Munich (DE)

(**) Term: **14 Years**

(21) Appl. No.: **29/376,443**

(22) Filed: **Oct. 7, 2010**

(30) **Foreign Application Priority Data**

Apr. 14, 2010 (EM) 001210603

May 27, 2010 (EM) 001220008

(51) **LOC (9) Cl.** **07-02**

(52) **U.S. Cl.** **D7/402; D8/311**

(58) **Field of Classification Search** D7/402,
D7/405, 406, 393; D8/300–303, 305–312,
D8/321, DIG. 2; D13/174, 169; 16/441,
16/110 R, 118, 121; 116/309, 315, 311,
116/312, 319–320; 74/548, 553, 558.5; 200/316,
200/336

See application file for complete search history.

(56) **References Cited**

U.S. PATENT DOCUMENTS

D145,188 S *	7/1946	Stewart	D8/311
D208,918 S *	10/1967	Dole	D8/311
D400,778 S *	11/1998	Holbrook, Jr.	D8/311
D443,496 S *	6/2001	DeCosse	D8/307
D450,997 S *	11/2001	Brady	D8/311
D498,657 S *	11/2004	Milrud et al.	D8/311
D504,300 S *	4/2005	Chen et al.	D8/310
D510,515 S *	10/2005	Miller	D8/311
D511,669 S *	11/2005	Miller	D8/300
D516,407 S *	3/2006	Grutzke et al.	D8/310
D521,314 S *	5/2006	Ball	D7/393

D525,518 S *	7/2006	Baldwin	D8/310
D559,206 S *	1/2008	Neveu	D13/174
D564,980 S *	3/2008	Browne et al.	D13/174
D567,060 S *	4/2008	Busalt et al.	D8/311
D573,000 S *	7/2008	Martin et al.	D8/311
D577,538 S *	9/2008	Suh et al.	D7/393
D577,983 S *	10/2008	Martin et al.	D8/311
D612,704 S *	3/2010	Funnell et al.	D8/310
D612,705 S *	3/2010	Baker et al.	D8/311
D613,698 S *	4/2010	Radau	D13/169
D628,457 S *	12/2010	Bengtson	D8/311
D634,156 S *	3/2011	Fuller et al.	D7/393
D634,602 S *	3/2011	Bengtson	D8/311
D637,886 S *	5/2011	Bengtson	D8/311
D642,042 S *	7/2011	Kim et al.	D8/311
2004/0107545 A1 *	6/2004	Worrell	16/441

* cited by examiner

Primary Examiner — T. Chase Nelson

Assistant Examiner — Mark Cavanna

(74) *Attorney, Agent, or Firm* — James E. Howard; Andre Pallapies

(57) **CLAIM**

The ornamental design for cooking appliance control knob, as shown and described.

DESCRIPTION

FIG. 1 is a front perspective view showing a cooking appliance control knob according to an embodiment of our new ornamental design;

FIG. 2 is a front view thereof;

FIG. 3 is a rear view thereof;

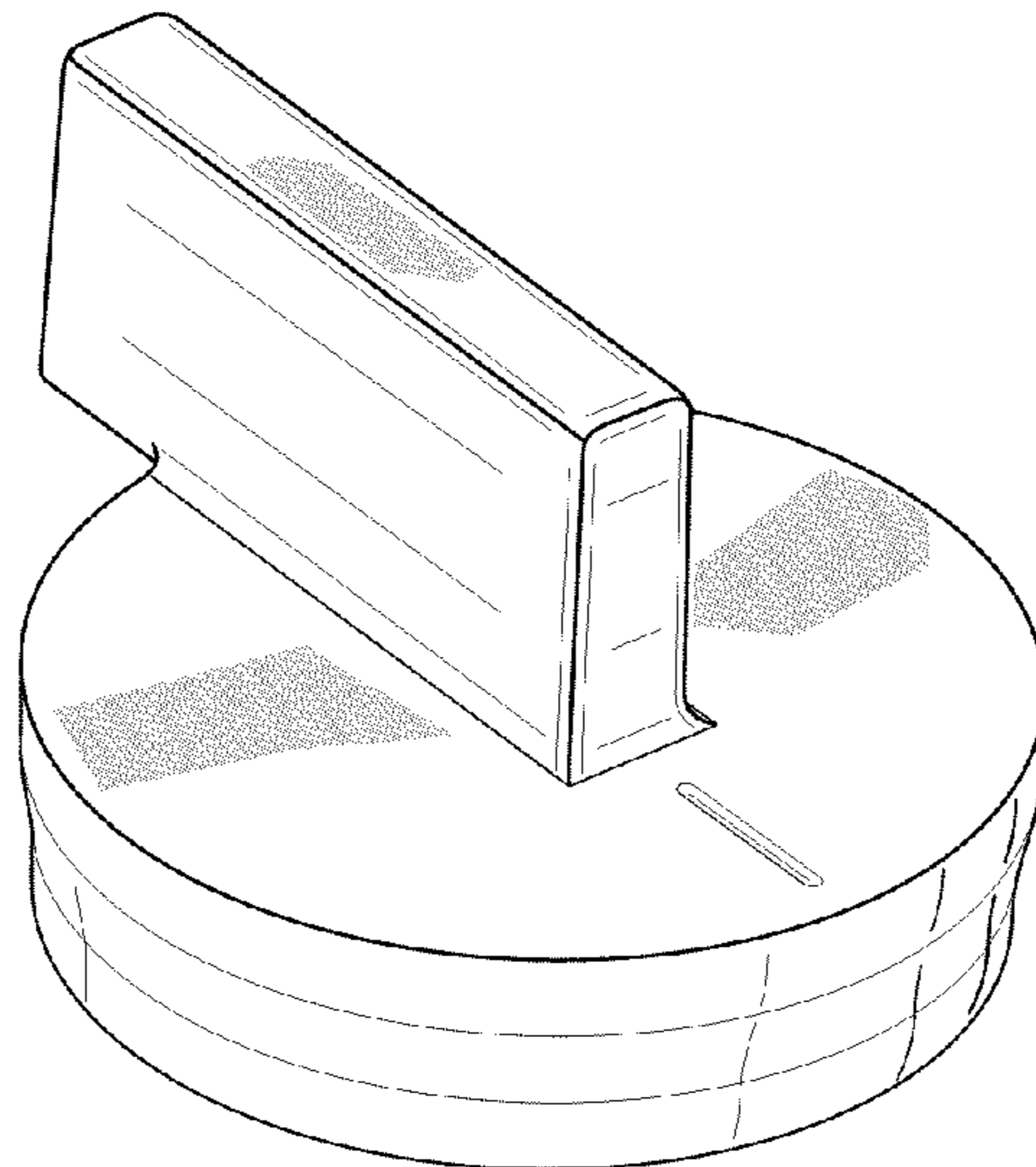
FIG. 4 is a top view thereof;

FIG. 5 is a bottom view thereof; and,

FIG. 6 is a right side view thereof, with the left side view thereof being a mirror image thereof.

The broken lines represent environment or structure of the cooking appliance control knob and do not form any part of the claimed design.

1 Claim, 2 Drawing Sheets



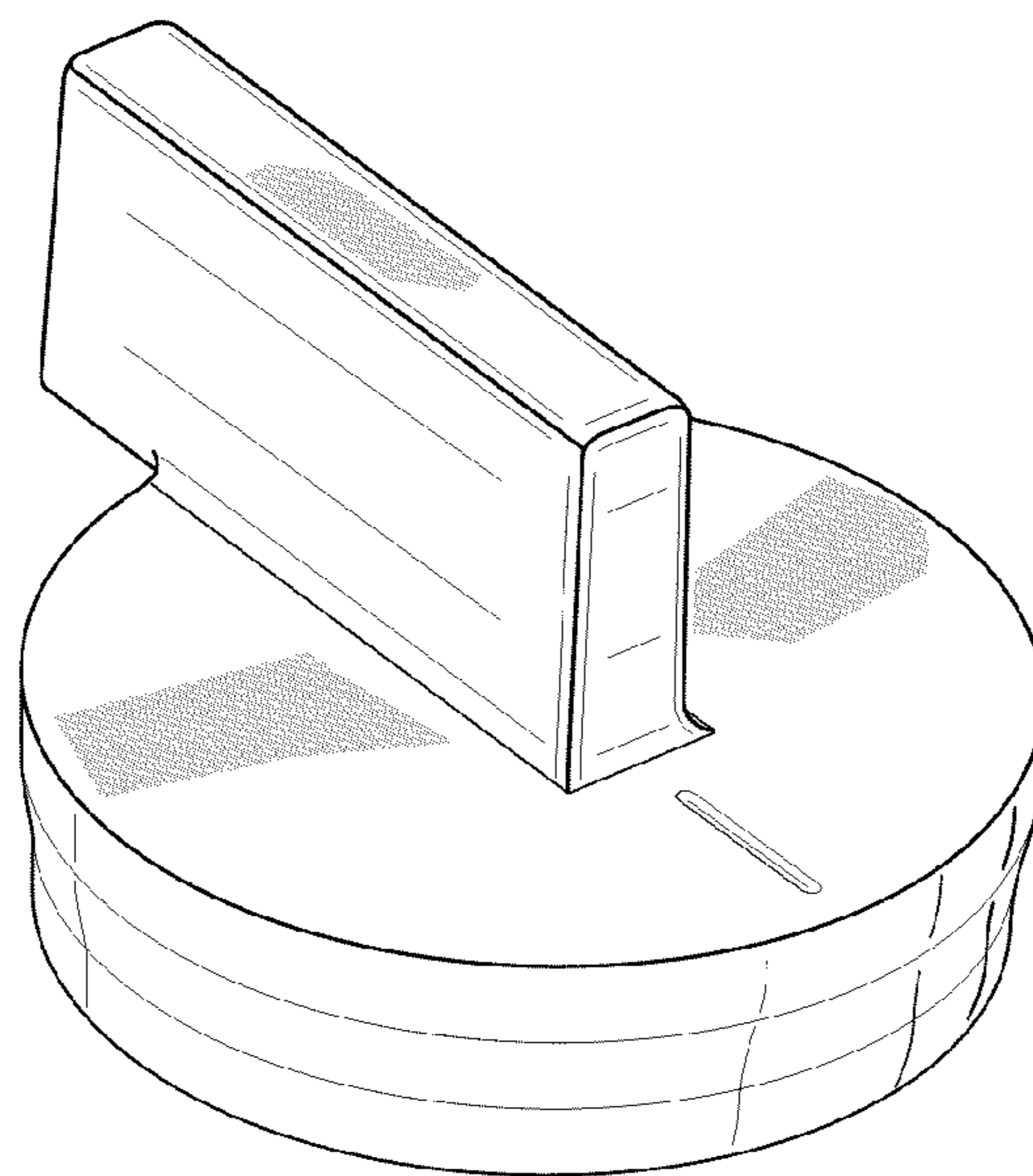


FIG. 1

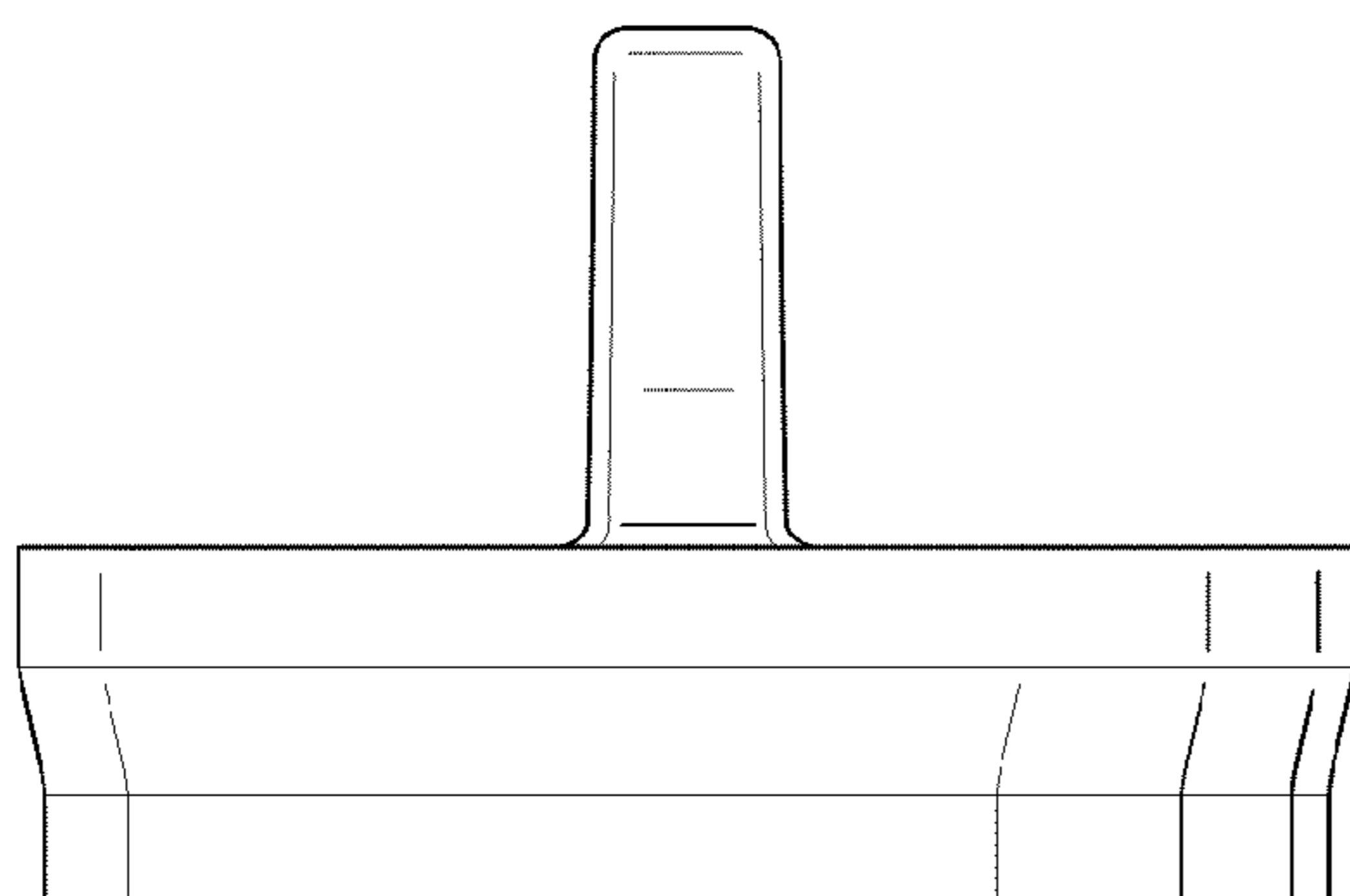


FIG. 2

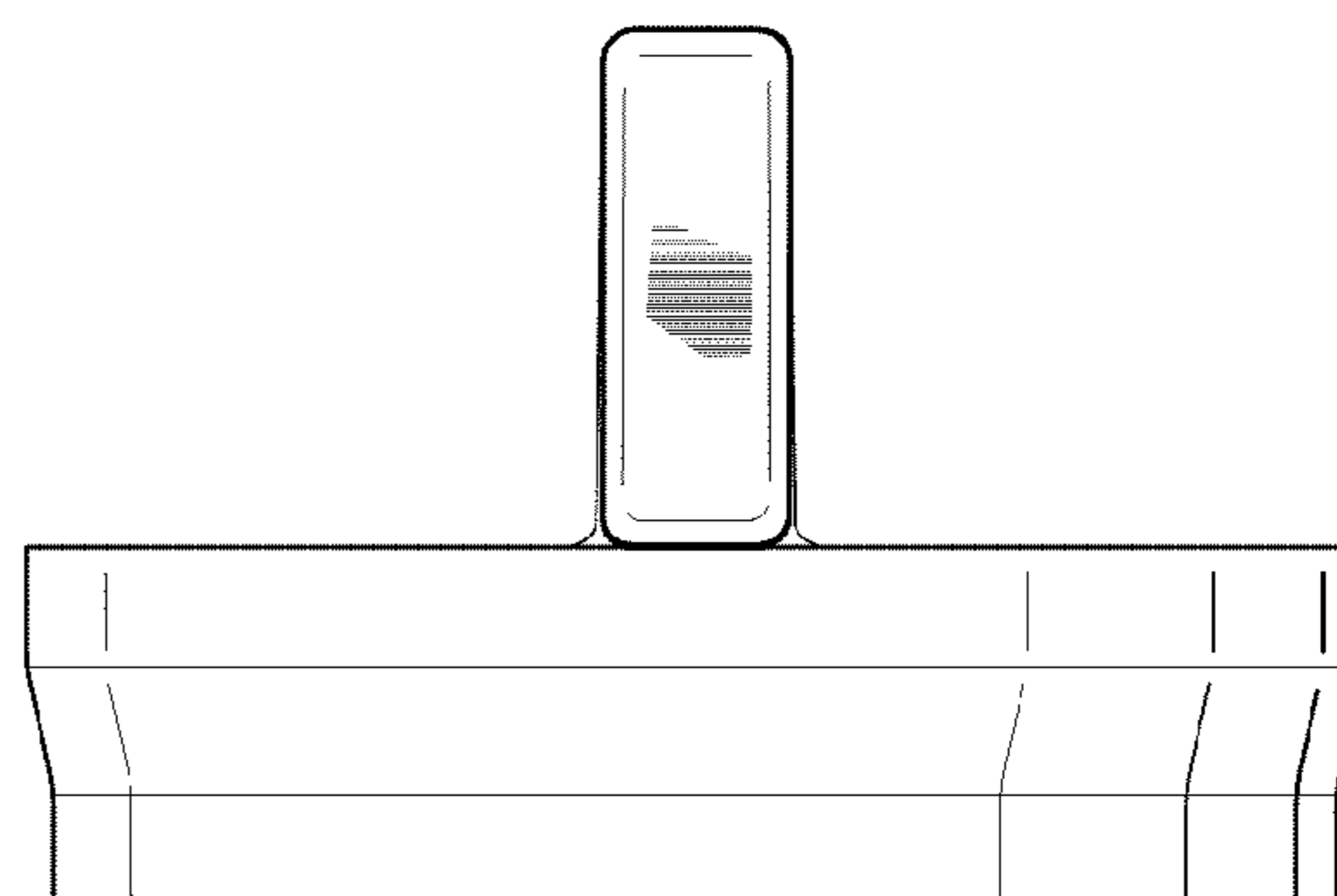


FIG. 3

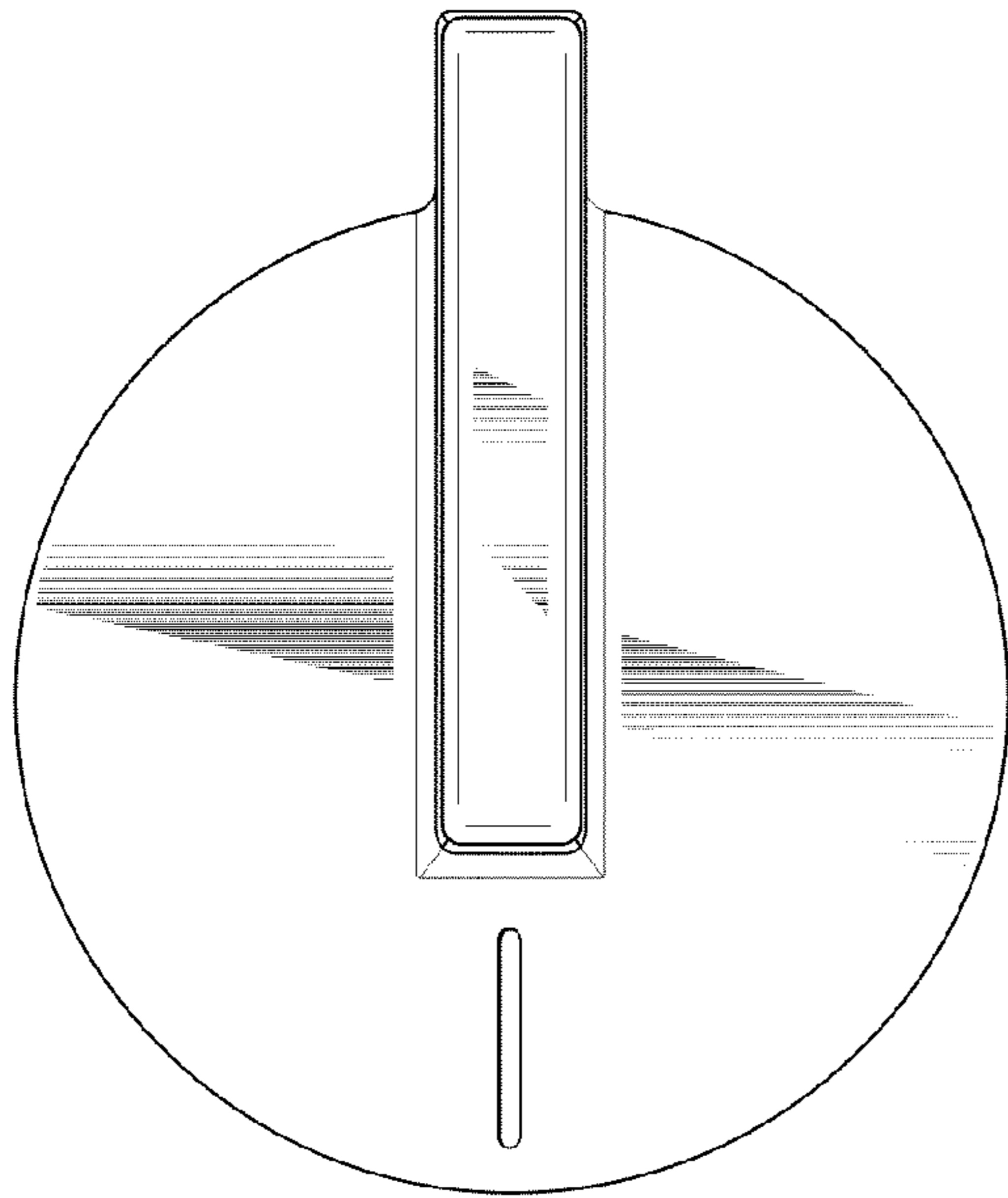


FIG. 4

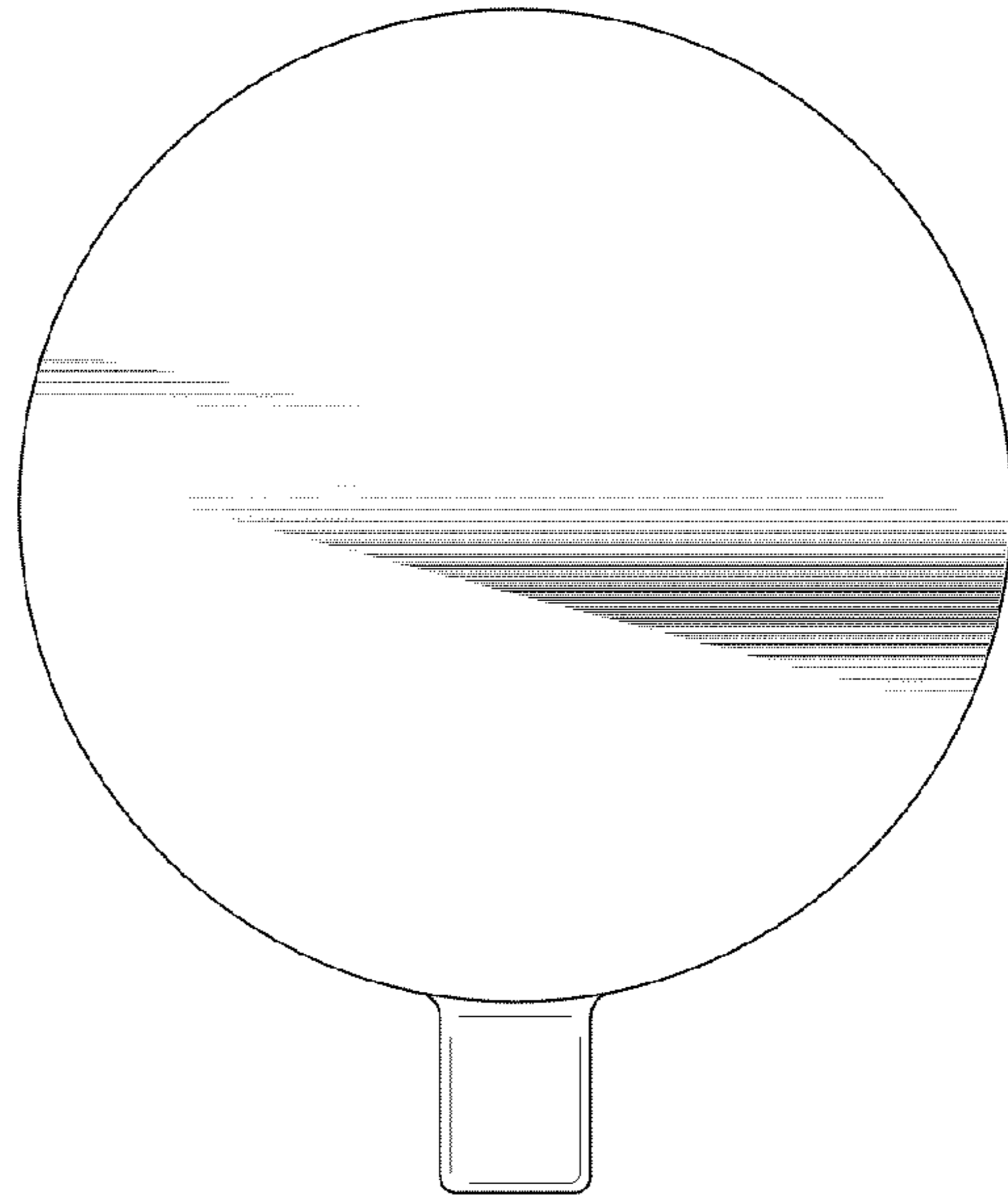


FIG. 5

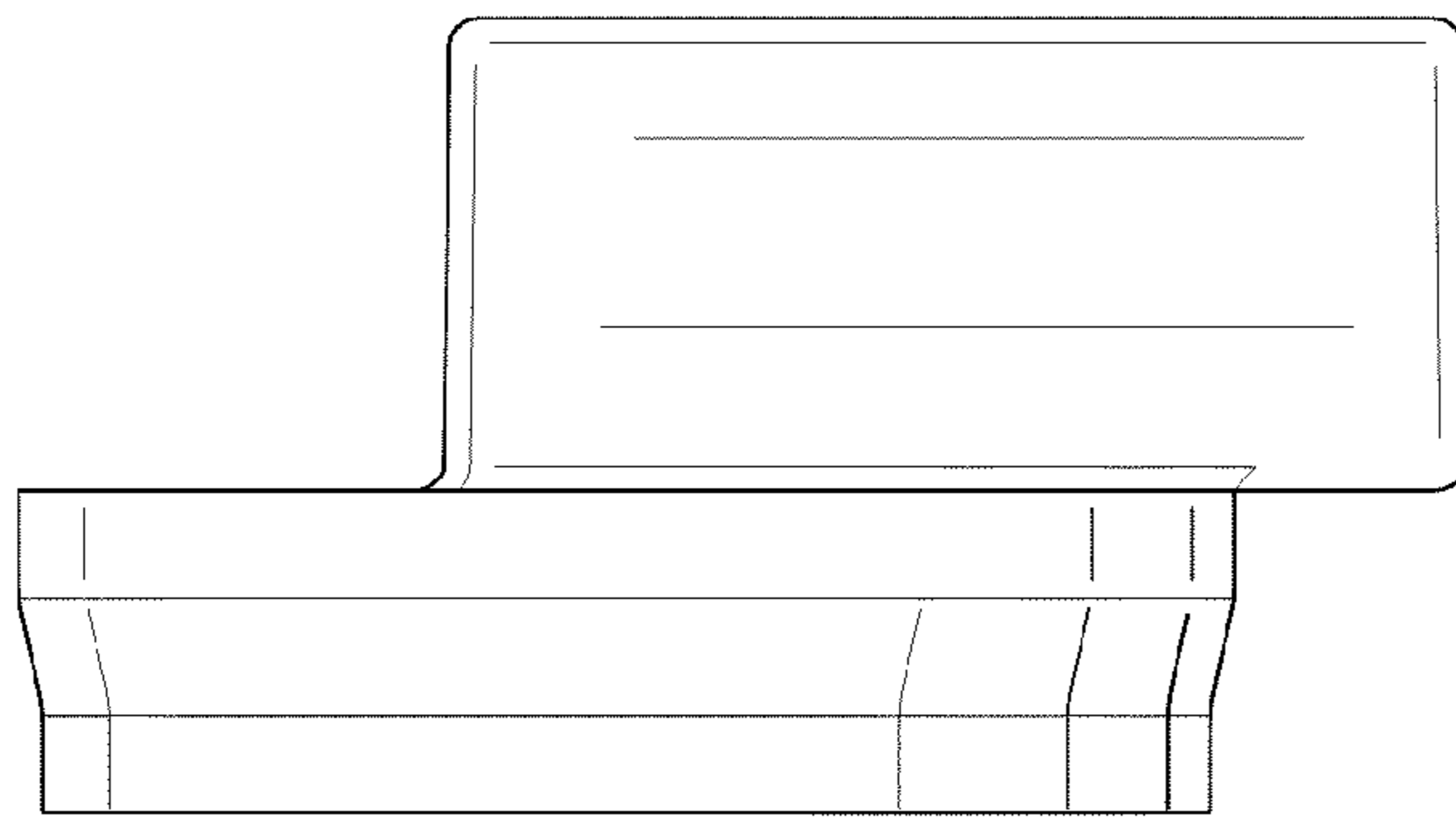


FIG. 6