



US00D651456S

(12) **United States Design Patent**
Moon et al.

(10) **Patent No.:** **US D651,456 S**
(45) **Date of Patent:** **** *Jan. 3, 2012**

(54) **PORTABLE COUNTERTOP ELECTRIC OVEN**

(75) Inventors: **Jung S. Moon**, Buffalo Grove, IL (US);
Gene H. Kim, Grayslake, IL (US);
Mikale K. Kwon, Glenview, IL (US);
Charles Choi, Chicago, IL (US); **Mark R. Pavel**, Downers Grove, IL (US)

(73) Assignee: **IBC-Hearthware, Inc.**, Libertyville, IL (US)

(*) Notice: This patent is subject to a terminal disclaimer.

(**) Term: **14 Years**

(21) Appl. No.: **29/357,546**

(22) Filed: **Mar. 12, 2010**

(51) **LOC (9) Cl.** **07-02**

(52) **U.S. Cl.** **D7/402**

(58) **Field of Classification Search** D7/350.1,
D7/350.3, 350.4, 402-403, 355; 126/19 M,
126/275 E, 21 A; 99/474, 330, 476; 219/386,
219/403, 407, 415, 438, 400, 391, 432, 402,
219/494, 411, 490

See application file for complete search history.

(56) **References Cited**

U.S. PATENT DOCUMENTS

D302,095 S *	7/1989	Nishikawa	D7/350.3
D302,642 S *	8/1989	Nishikawa	D7/350.3
D321,109 S *	10/1991	Erickson et al.	D7/350.3
D321,110 S *	10/1991	Worrell et al.	D7/350.3
D328,834 S *	8/1992	Chang	D7/350.3
D329,163 S *	9/1992	Chang	D7/350.3

5,165,328 A *	11/1992	Erickson et al.	99/330
D334,864 S *	4/1993	Chang	D7/350.3
D344,873 S *	3/1994	Chang	D7/402
D347,140 S *	5/1994	Dornbush et al.	D7/350.3
D351,088 S *	10/1994	Hsiao	D7/543
D355,564 S *	2/1995	Dornbush et al.	D7/350.3
D357,383 S *	4/1995	Dornbush et al.	D7/350.3
D360,335 S *	7/1995	Chang	D7/350.3
5,466,912 A *	11/1995	Dornbush et al.	219/400
D367,396 S *	2/1996	Hsu	D7/350.3
6,747,250 B1 *	6/2004	Cha	219/400
6,917,017 B2 *	7/2005	Moon et al.	219/400
6,936,795 B1 *	8/2005	Moon et al.	219/400
2003/0205569 A1 *	11/2003	Chang	219/400

* cited by examiner

Primary Examiner — Ruth McInroy

(74) *Attorney, Agent, or Firm* — Albrecht Tousi & Farnum PLLC; Ralph P. Albrecht; Cameron H. Tousi

(57) **CLAIM**

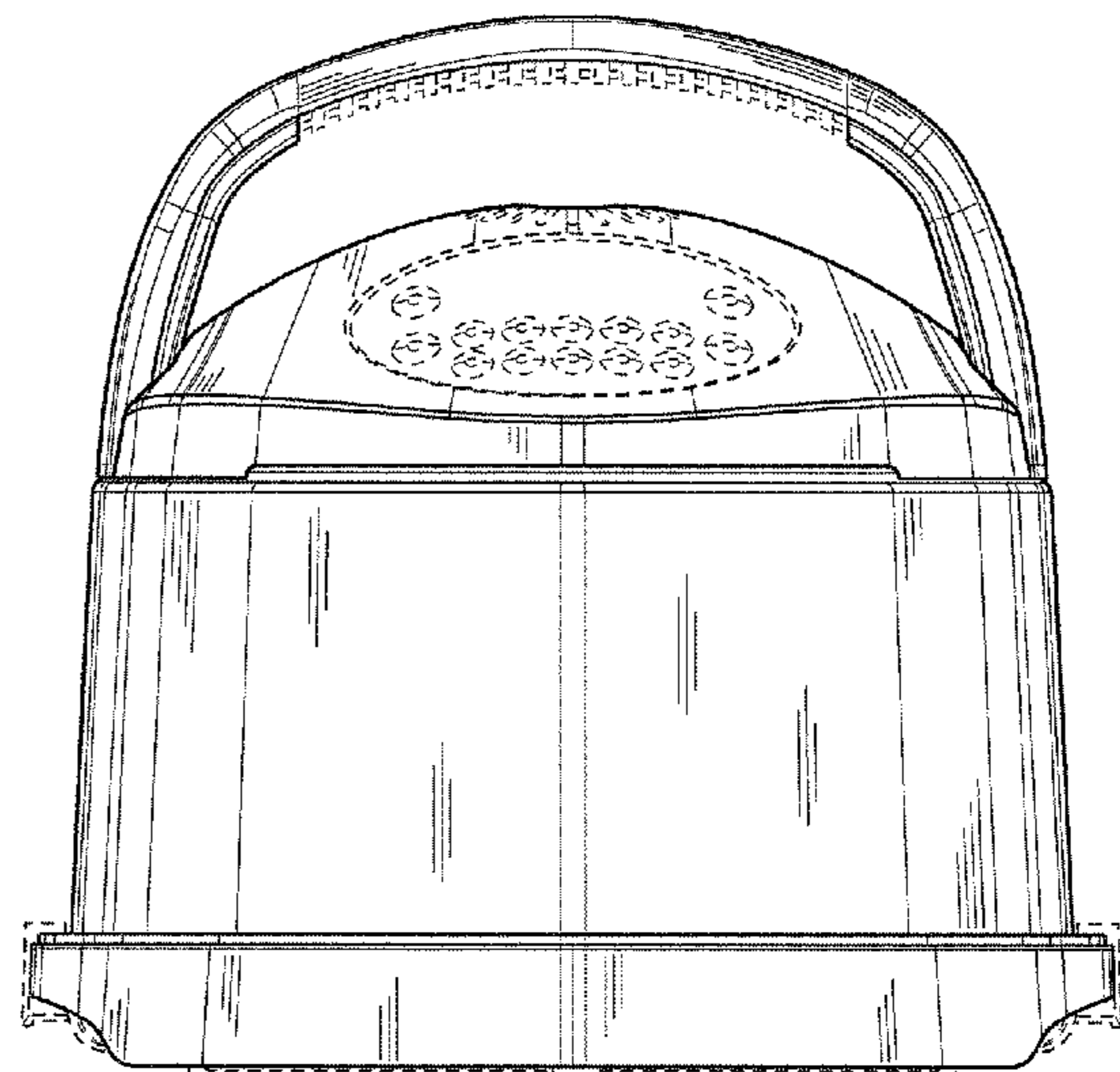
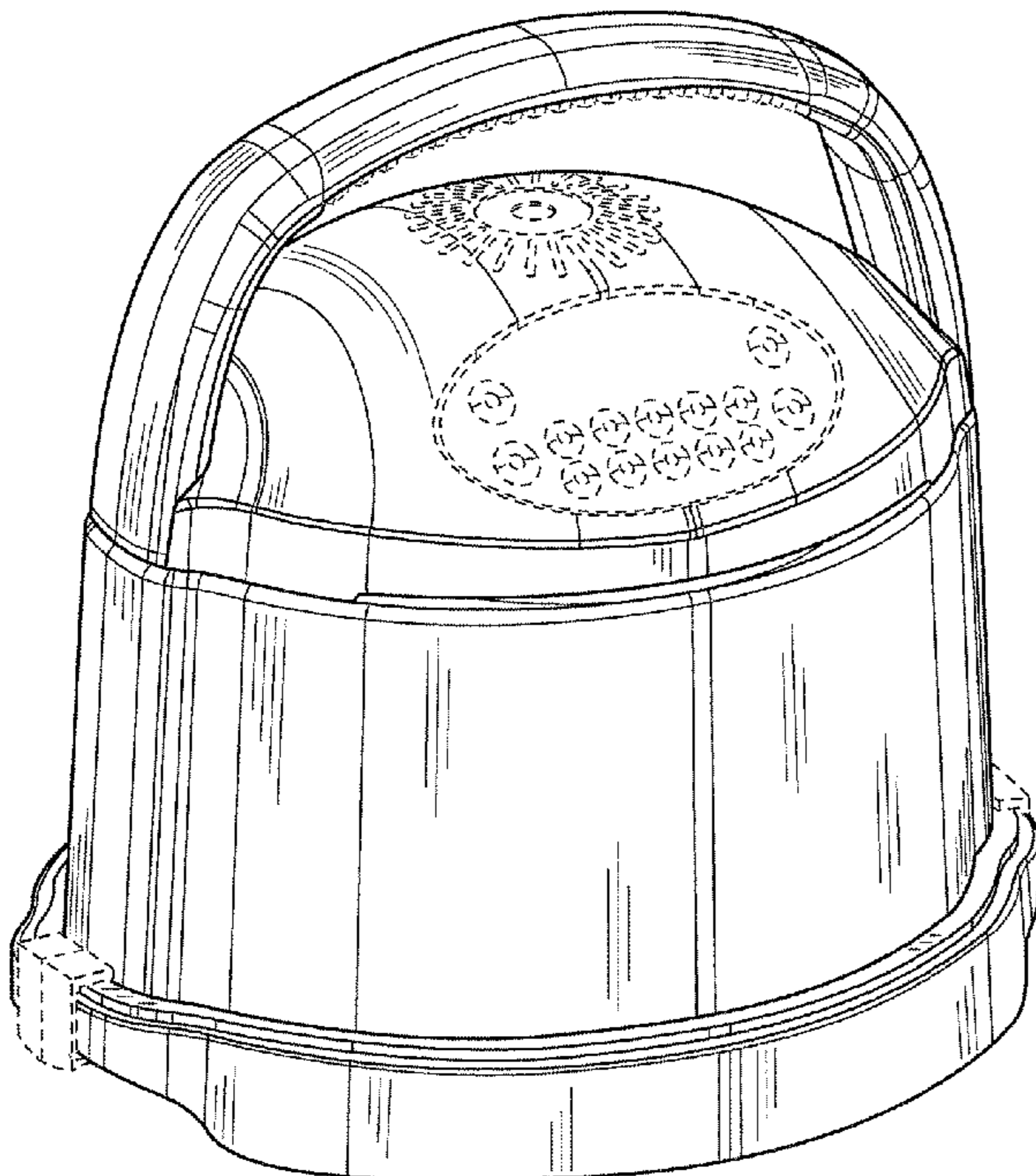
We claim the ornamental design for a portable countertop electric oven, as shown and described.

DESCRIPTION

FIG. 1 is a perspective view of a portable countertop electric oven showing our new design;
FIG. 2 is a front view thereof;
FIG. 3 is a rear view thereof;
FIG. 4 is a right side view thereof;
FIG. 5 is a left side view thereof;
FIG. 6 is a top view thereof; and,
FIG. 7 is a bottom view thereof.

The dashed lines in various figures are for illustrative purposes only and form no part of the claimed design.

1 Claim, 4 Drawing Sheets



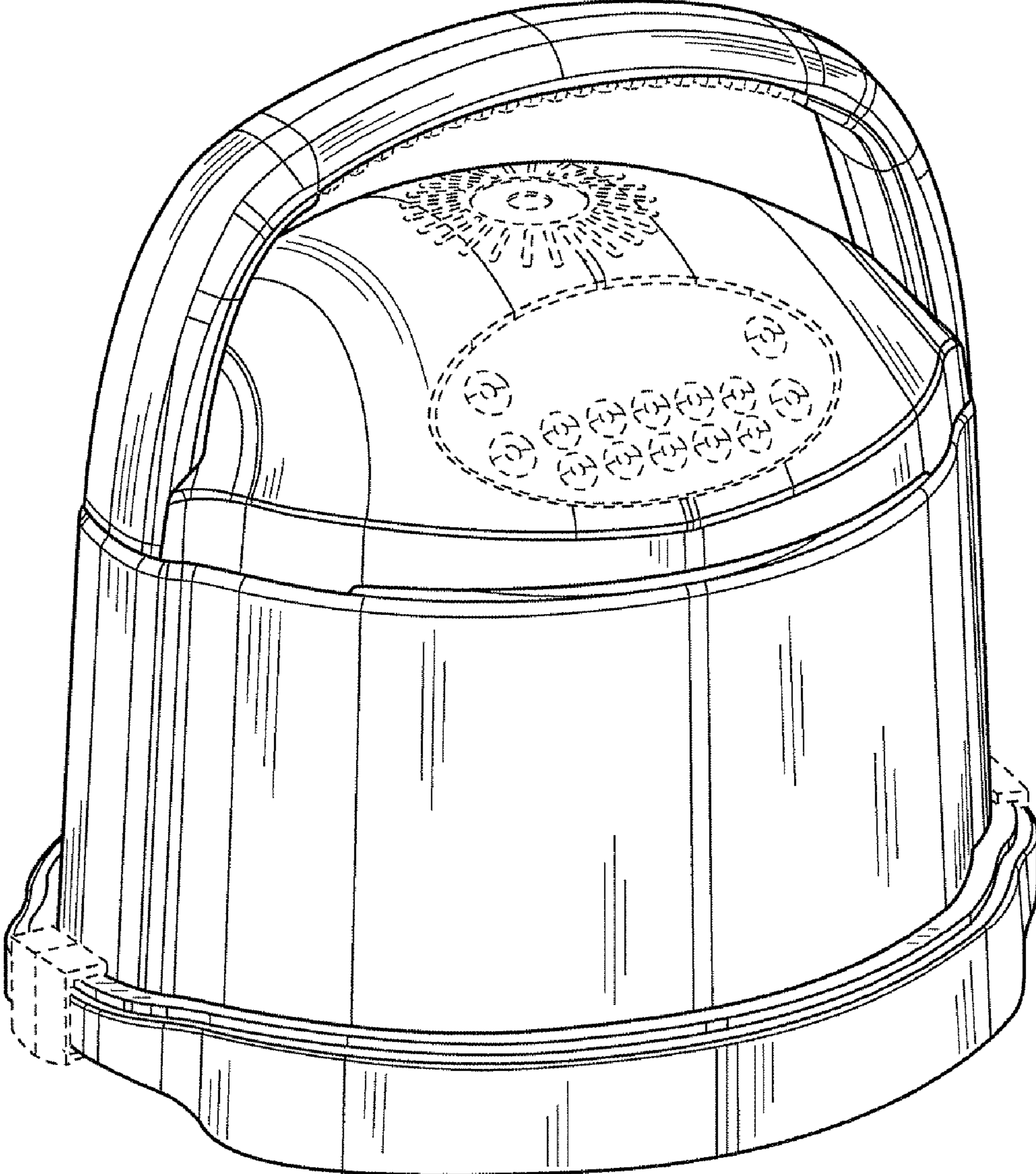


FIG. 1

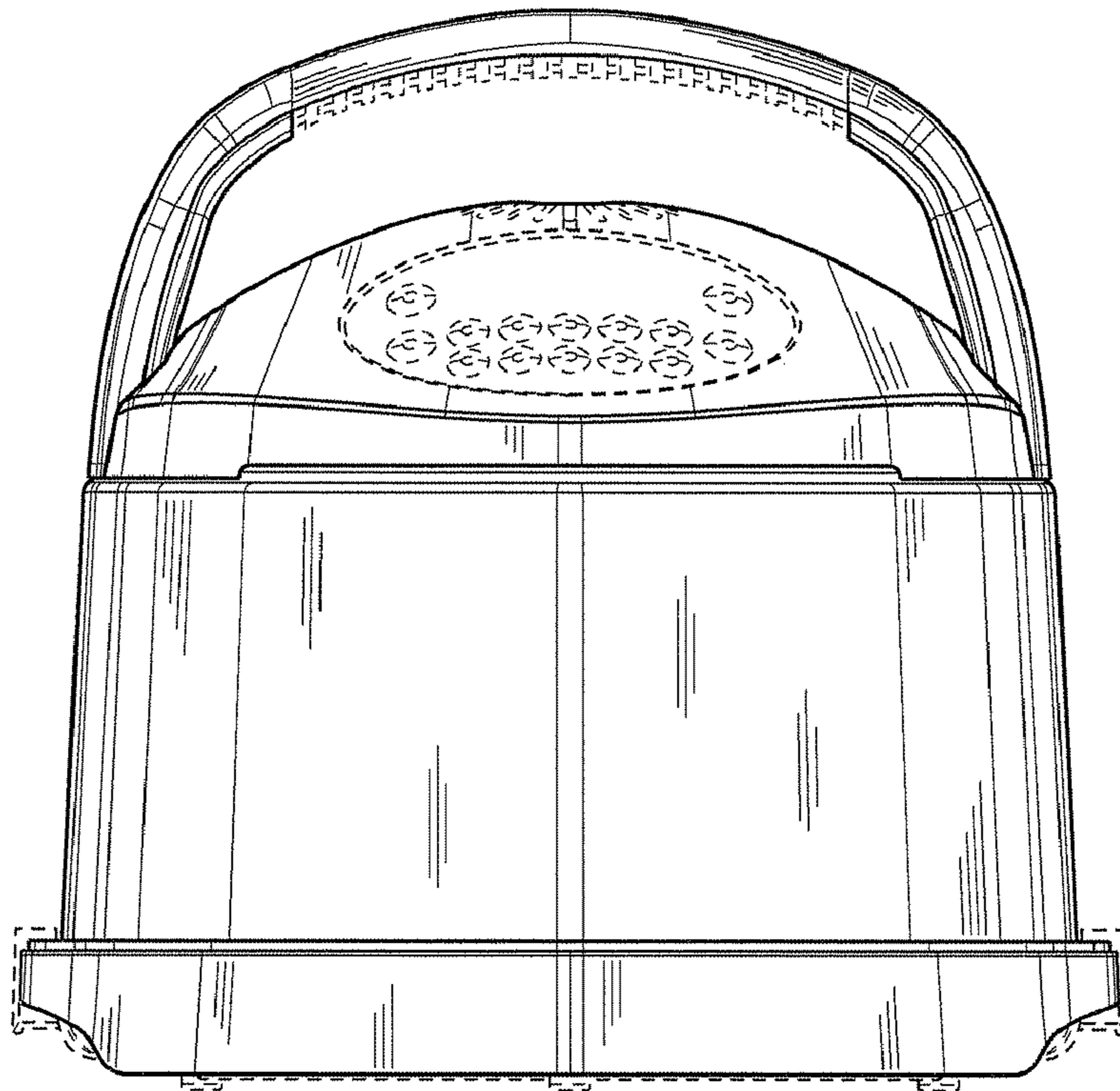


FIG. 2

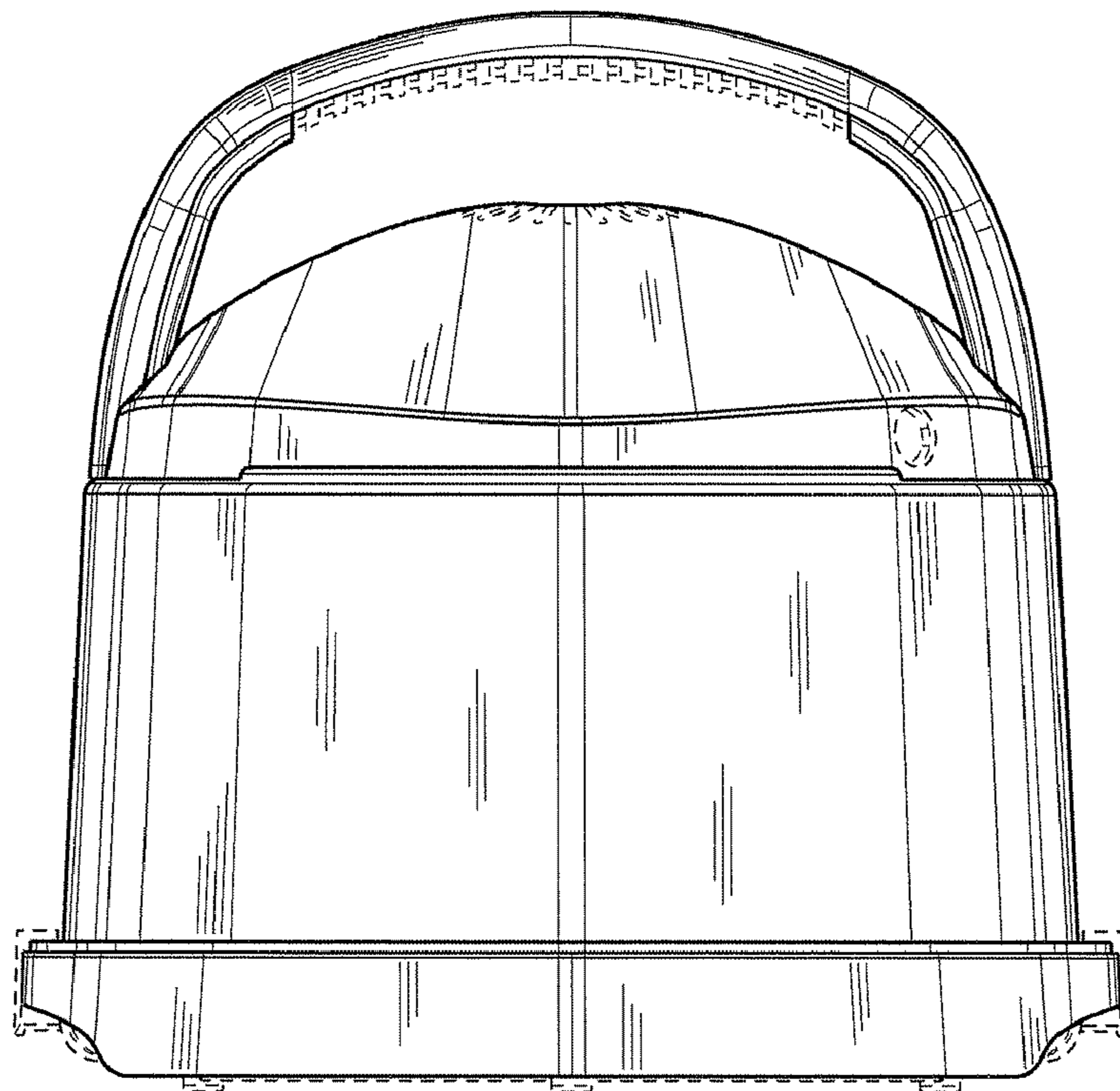


FIG. 3

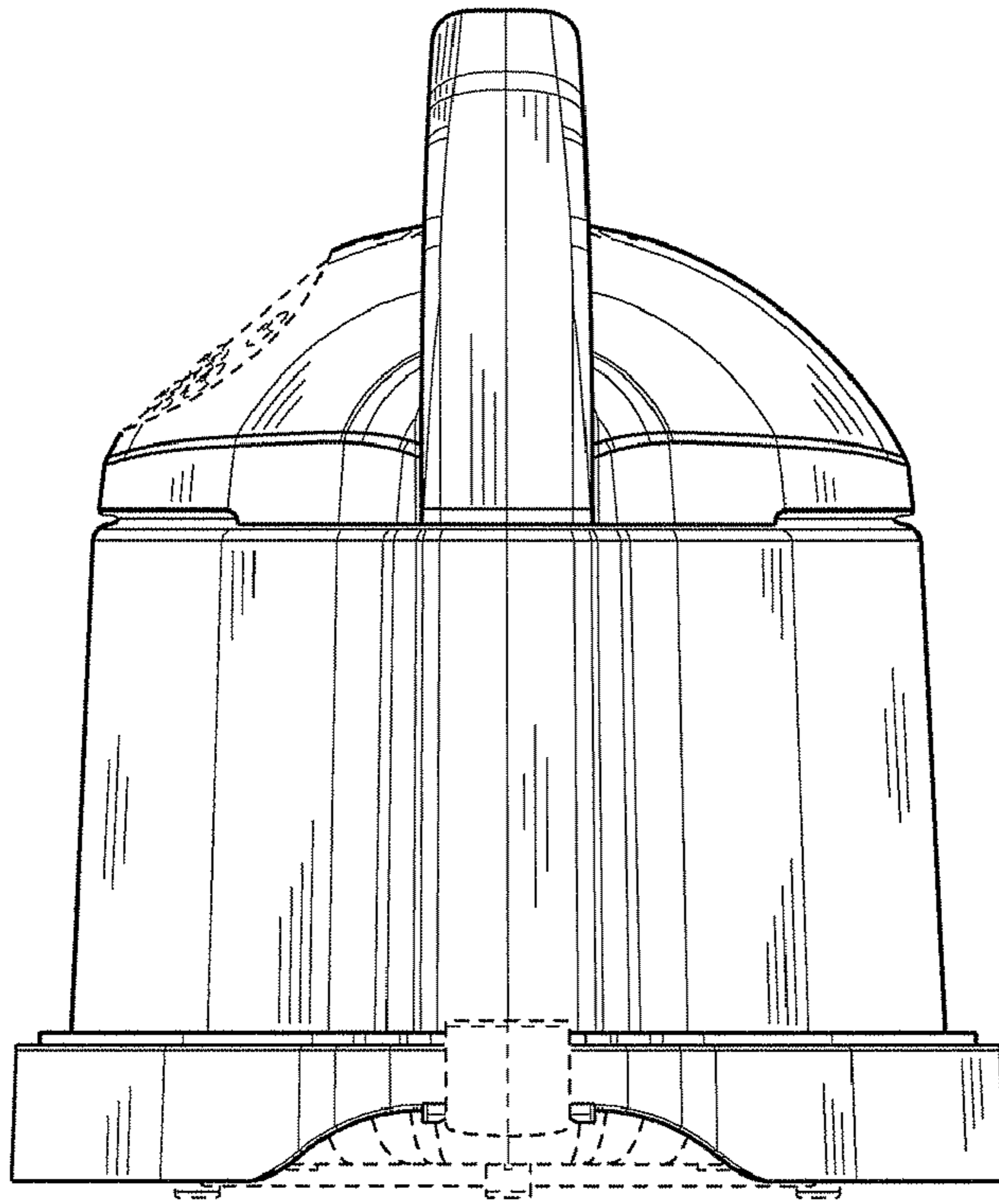


FIG. 4

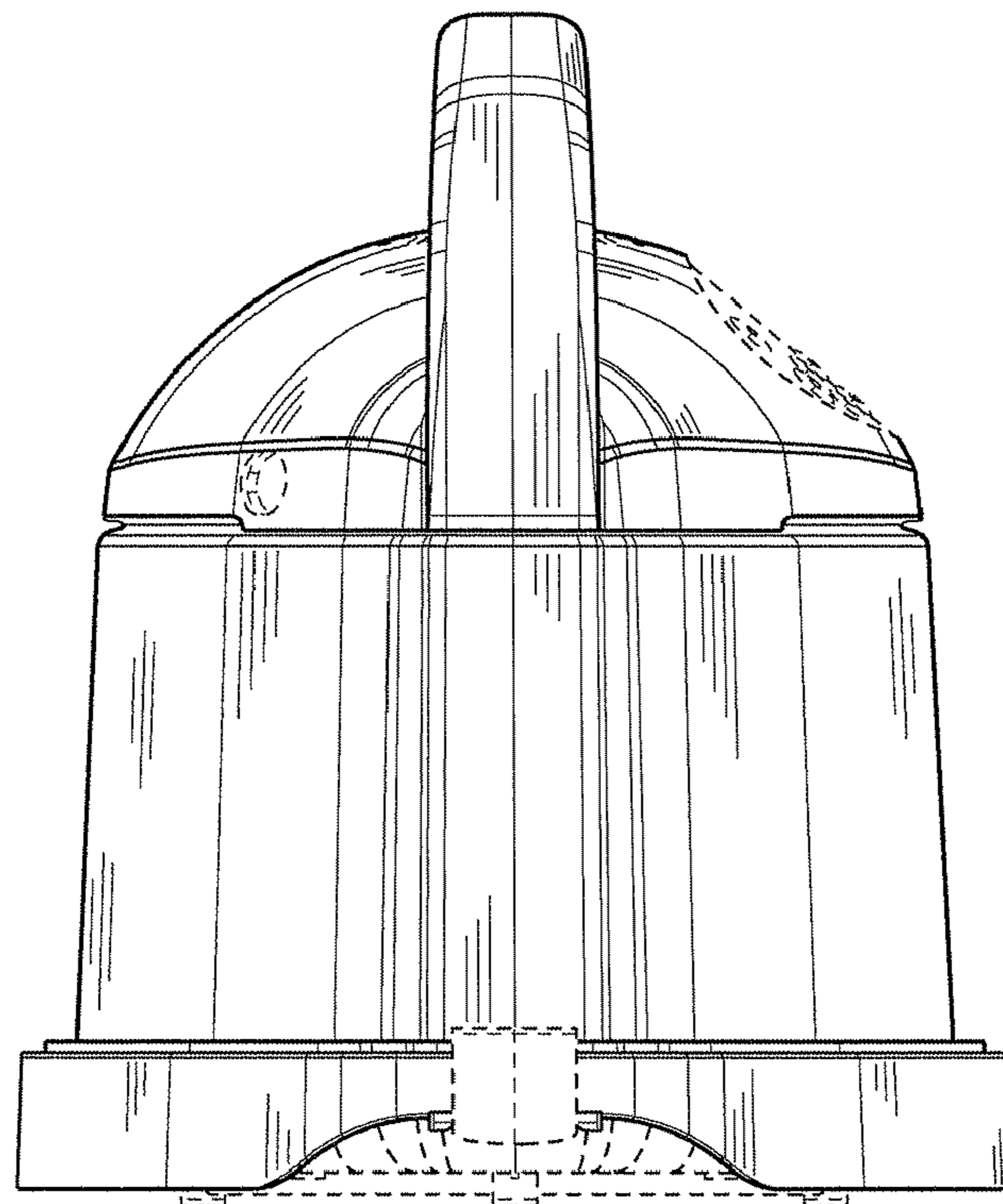


FIG. 5

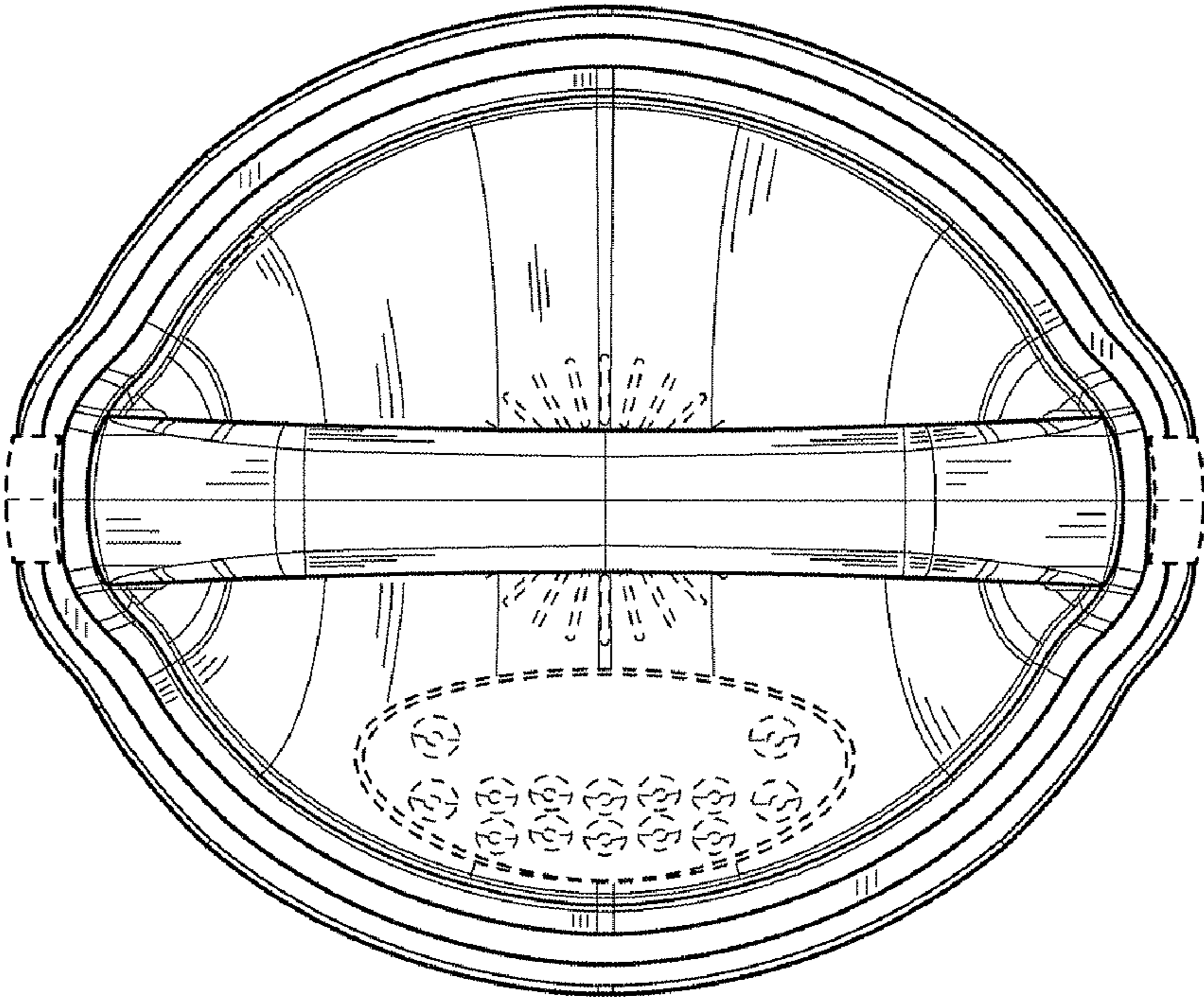


FIG. 6

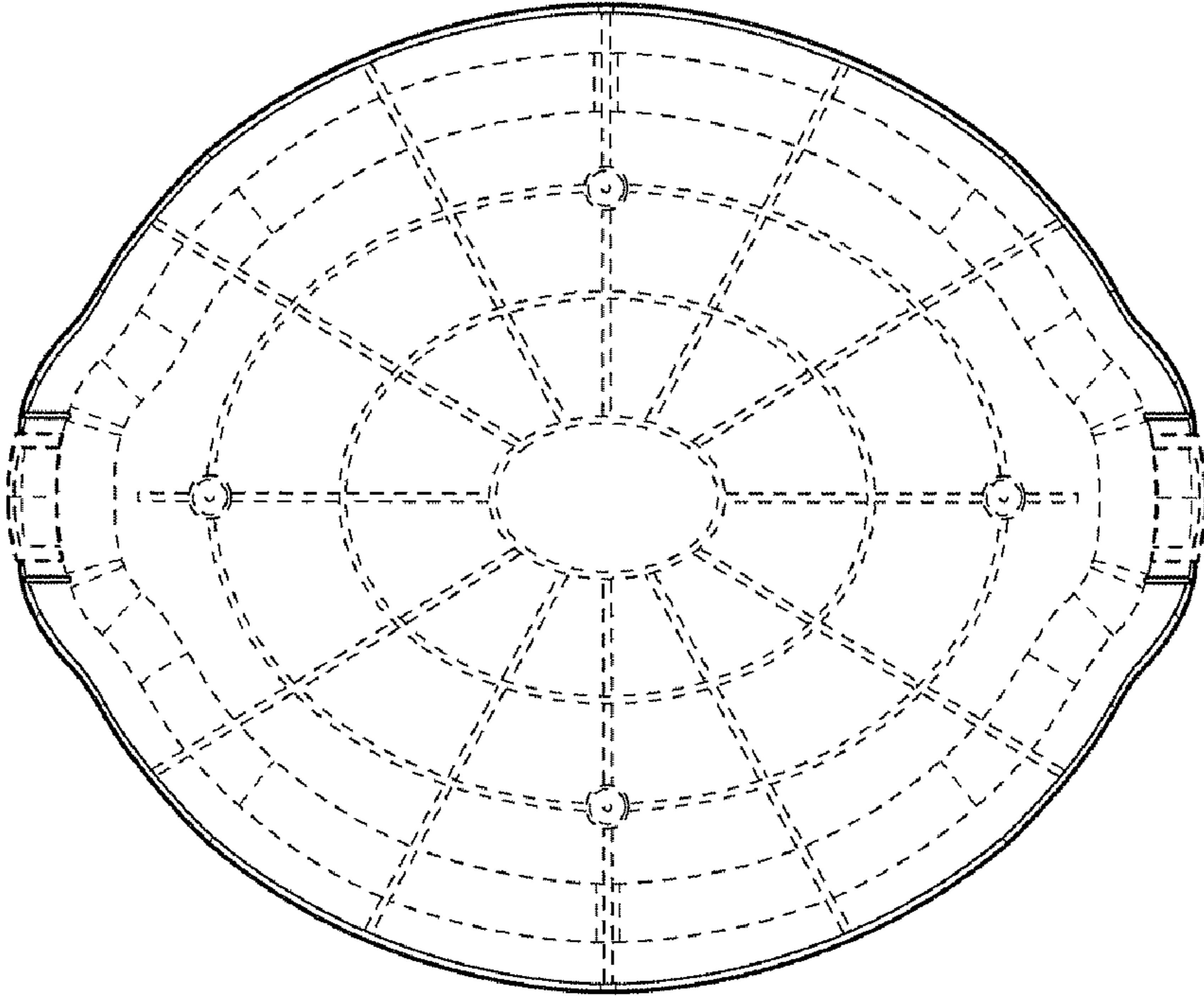


FIG. 7