



US00D651455S

(12) **United States Design Patent**
Lee

(10) **Patent No.:** **US D651,455 S**
(45) **Date of Patent:** **** Jan. 3, 2012**

(54) **GRILL LID**
(75) Inventor: **Po Sum Lee**, North Point (CN)
(73) Assignee: **The Brinkmann Corporation**, Dallas, TX (US)
(**) Term: **14 Years**
(21) Appl. No.: **29/348,877**
(22) Filed: **Feb. 16, 2010**
(51) **LOC (9) Cl.** **07-02**
(52) **U.S. Cl.** **D7/402**
(58) **Field of Classification Search** D7/332, D7/334-337, 402-406; 126/25 R, 9 R, 41 R, 126/40, 50, 29, 25 A, 25 AA, 26; 99/446, 99/447, 450, 482, 339, 340
See application file for complete search history.

D549,511 S 8/2007 Chung
D549,512 S 8/2007 Chung
D549,514 S 8/2007 Chung
D554,944 S 11/2007 Wood
D557,066 S 12/2007 Chau et al.
D557,067 S 12/2007 Ho et al.
D557,068 S 12/2007 Lee
D557,555 S 12/2007 Chau et al.
D557,556 S 12/2007 Chau et al.
D557,557 S 12/2007 Chau et al.
D557,558 S 12/2007 Chau et al.
D558,518 S 1/2008 Ho et al.
D560,415 S 1/2008 Wood et al.
D560,416 S 1/2008 Sedberry et al.
D560,418 S 1/2008 Chau et al.
D560,419 S 1/2008 Lockhart et al.
D562,629 S 2/2008 Chau et al.
D562,630 S 2/2008 Chau et al.
D563,150 S 3/2008 Chau et al.
D566,456 S 4/2008 Profitt
(Continued)

(56) **References Cited**

| U.S. PATENT DOCUMENTS | | |
|-----------------------|---------|-----------------|
| D406,488 S | 3/1999 | Bates et al. |
| D406,489 S | 3/1999 | Williams et al. |
| D465,123 S | 11/2002 | Coleman et al. |
| D476,188 S | 6/2003 | Wood |
| D491,414 S | 6/2004 | Nichols et al. |
| D494,004 S | 8/2004 | Chapman |
| D494,009 S | 8/2004 | Joss et al. |
| D494,413 S | 8/2004 | Joss et al. |
| D504,048 S | 4/2005 | Joss et al. |
| D521,308 S | 5/2006 | Tseng |
| D525,073 S | 7/2006 | Wilgus et al. |
| D527,947 S | 9/2006 | Pai |
| D528,349 S | 9/2006 | Chung |
| D533,010 S | 12/2006 | Pai |
| D535,139 S | 1/2007 | Lutz |
| D536,918 S | 2/2007 | Wood |
| D541,575 S | 5/2007 | Lutz |
| D544,289 S | 6/2007 | Tseng |
| D546,116 S | 7/2007 | Tseng |
| D547,108 S | 7/2007 | Tseng |
| D547,109 S | 7/2007 | Tseng |

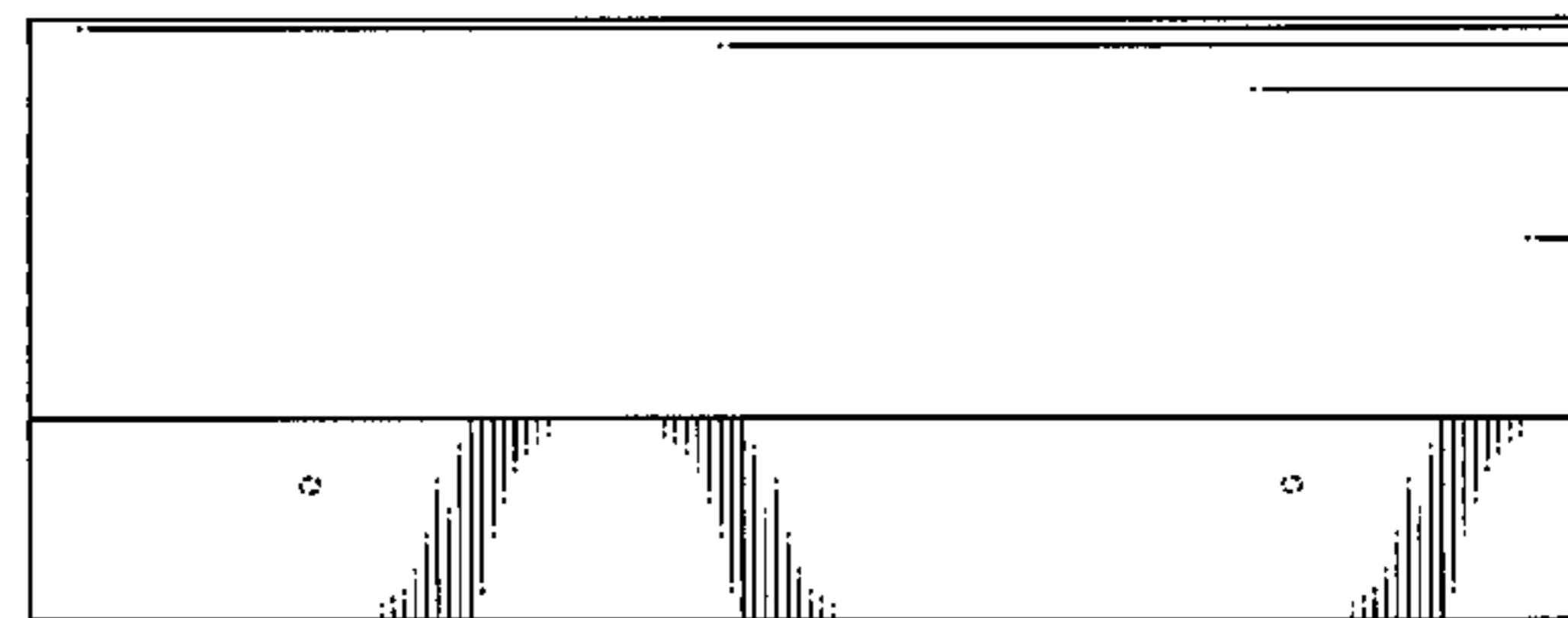
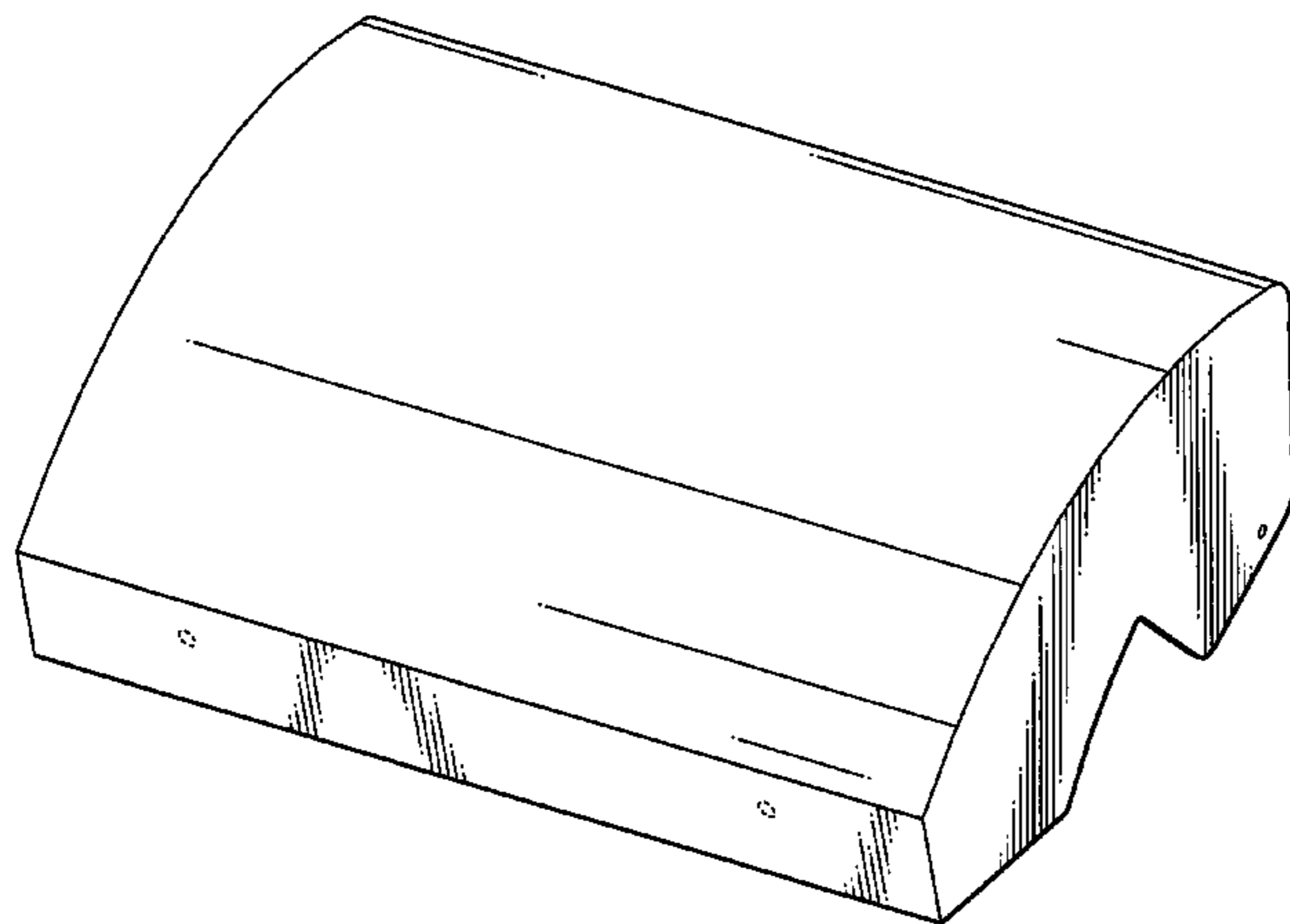
Primary Examiner — Ruth McInroy
(74) *Attorney, Agent, or Firm* — Sheppard, Mullin, Richter & Hampton LLP

(57) **CLAIM**
I claim the ornamental design for a grill lid, as shown and described.

DESCRIPTION

FIG. 1 is a perspective view of the grill lid showing the new design;
FIG. 2 is a front elevational view thereof;
FIG. 3 is a rear elevational view thereof;
FIG. 4 is a right side elevational view thereof;
FIG. 5 is a left side elevational view thereof;
FIG. 6 is a top plan view thereof; and,
FIG. 7 is a bottom plan view thereof.
The dotted lines are for illustrative purposes only and form no part of the claimed design.

1 Claim, 5 Drawing Sheets



US D651,455 S

Page 2

U.S. PATENT DOCUMENTS

| | | | | | | |
|------------|---------|----------|-------------------|---------|-----------------|----------------|
| D569,168 S | 5/2008 | Pai | D586,609 S | 2/2009 | Chau | |
| D571,142 S | 6/2008 | Chung | D586,615 S | 2/2009 | Lee | |
| D571,604 S | 6/2008 | Chung | D587,525 S | 3/2009 | Chau | |
| D571,605 S | 6/2008 | Chung | D604,557 S | 11/2009 | Lee | |
| D572,973 S | 7/2008 | Chau | D604,558 S | 11/2009 | Chau | |
| D580,220 S | 11/2008 | McKenzie | 2003/0226453 A1 * | 12/2003 | Home | 99/450 |
| D581,199 S | 11/2008 | Chau | 2009/0165774 A1 * | 7/2009 | Johnston et al. | 126/25 R |

* cited by examiner

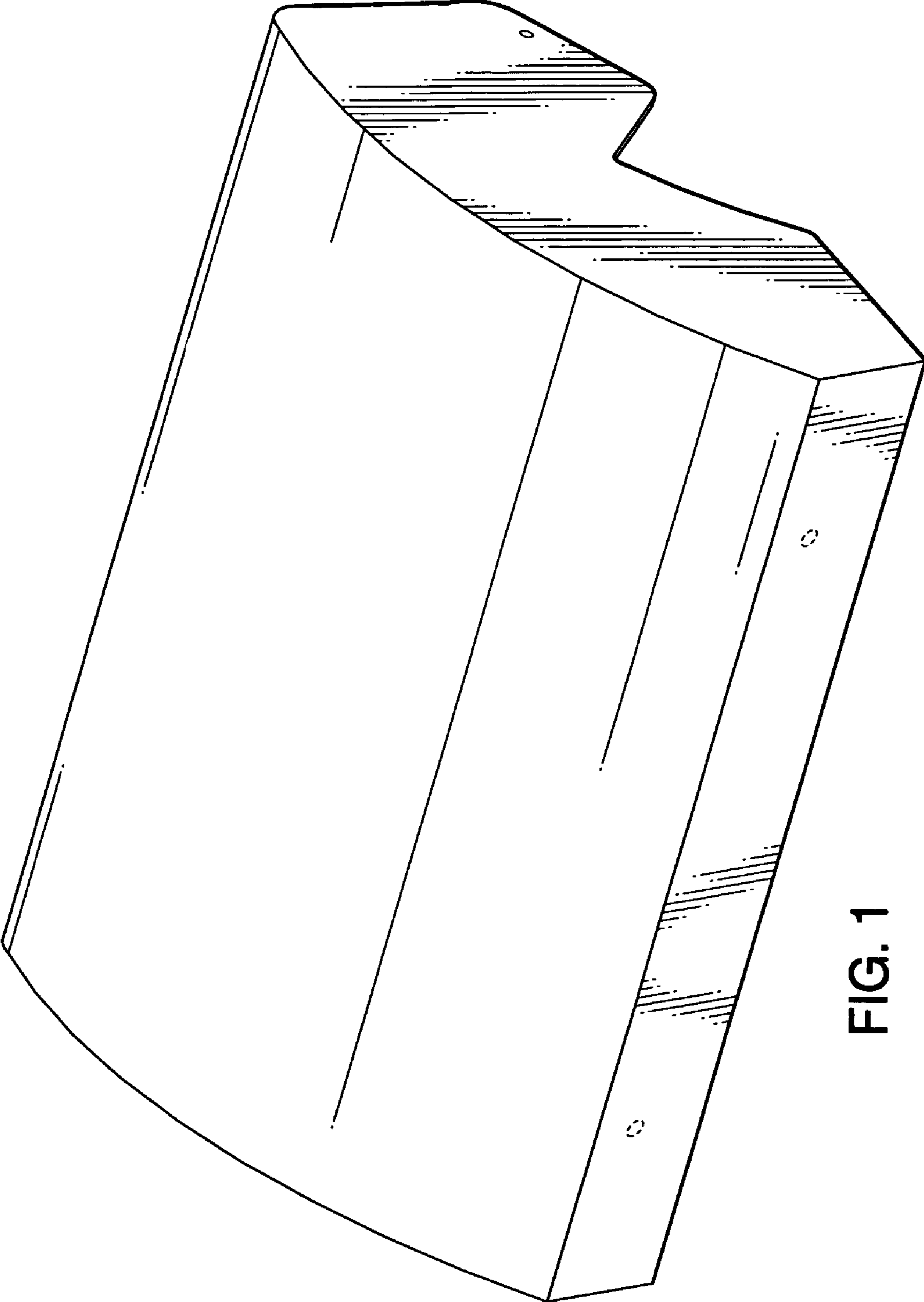


FIG. 1

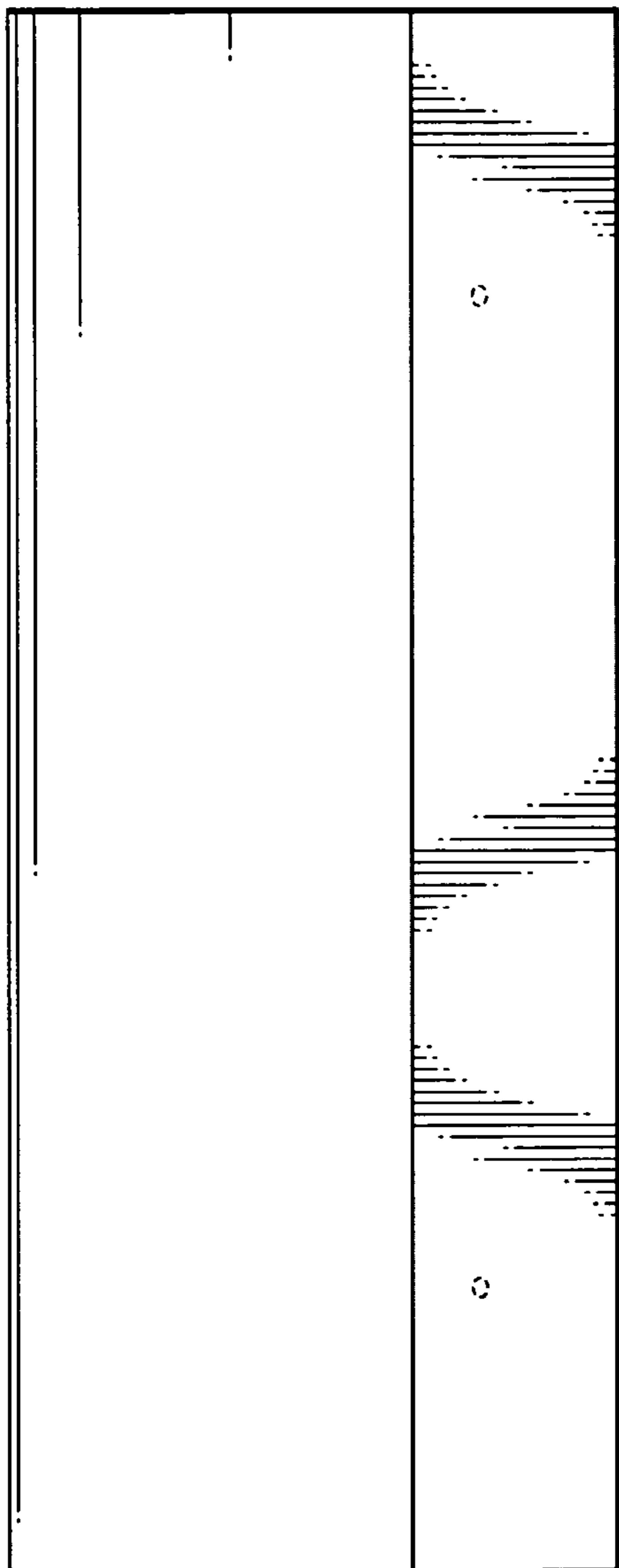


FIG. 2

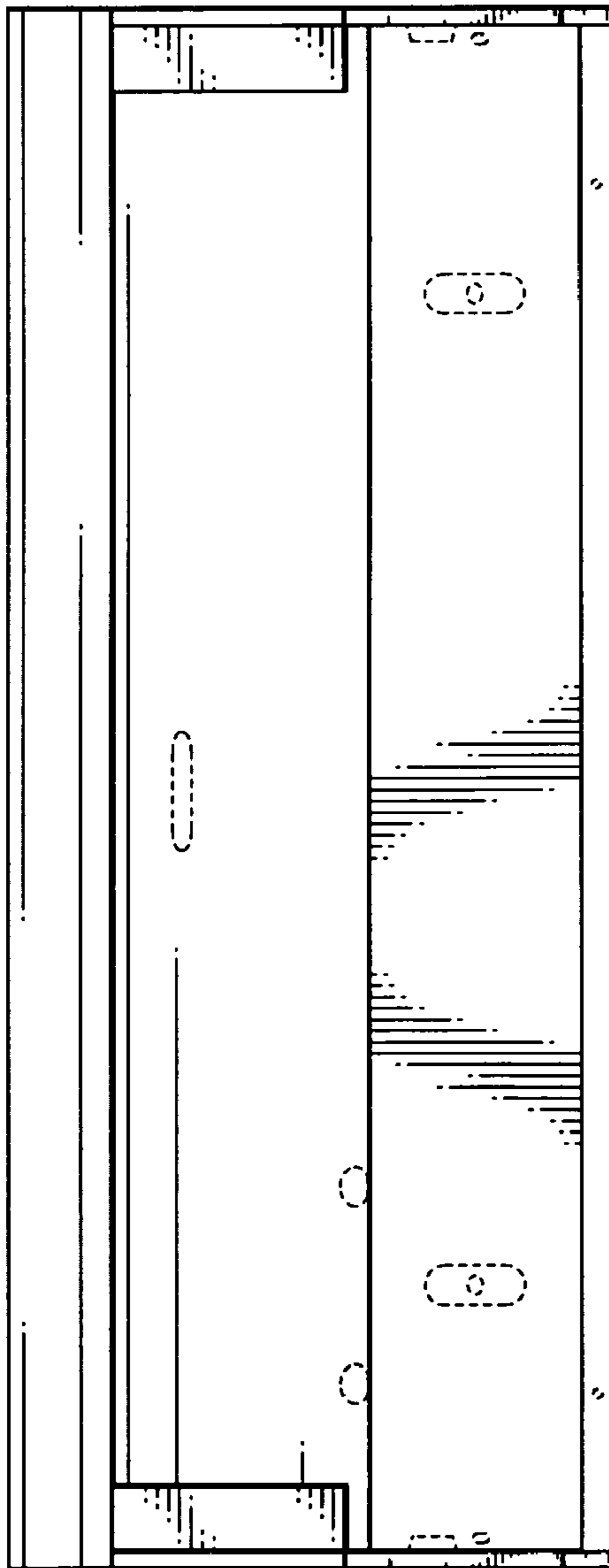


FIG. 3

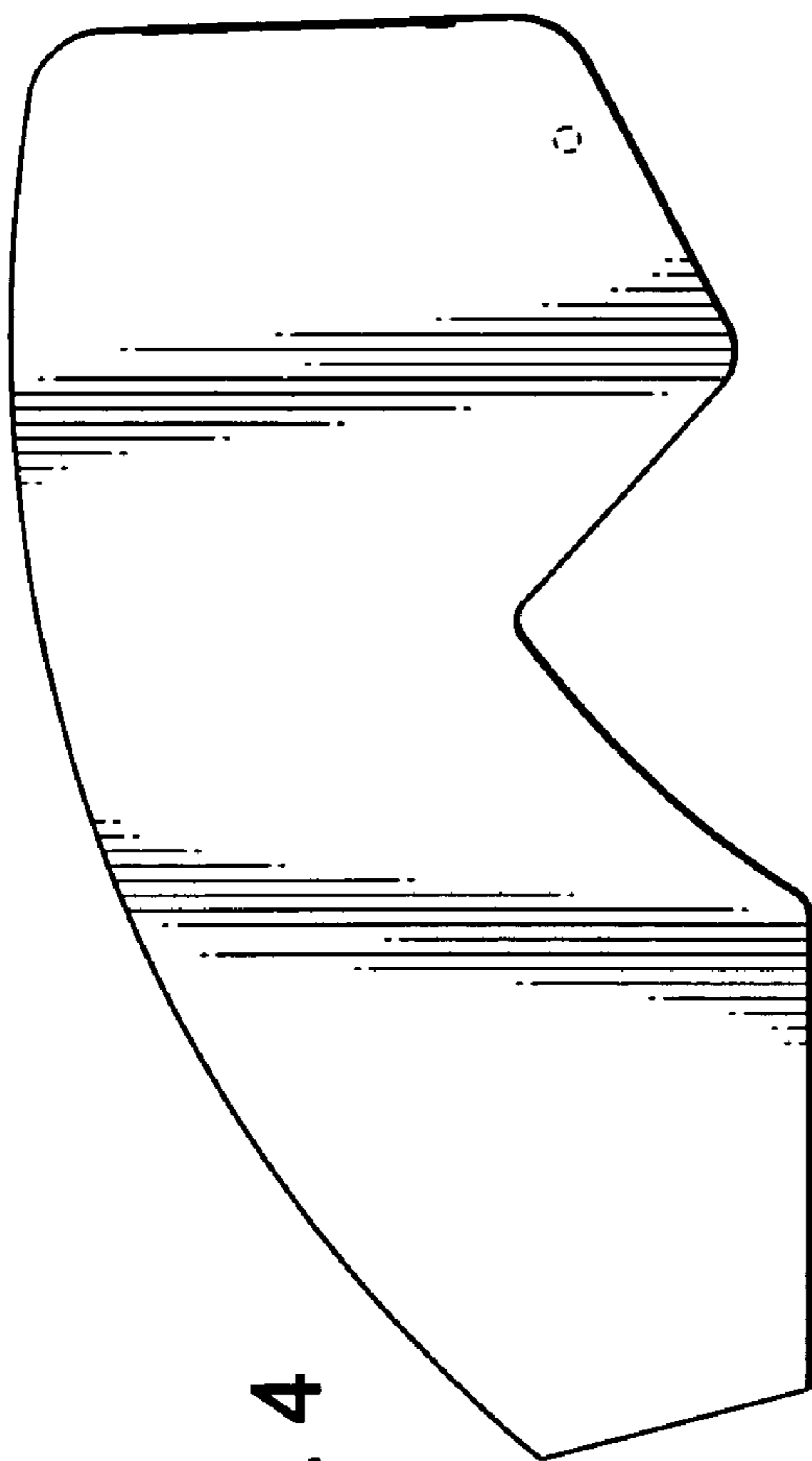


FIG. 4



FIG. 5

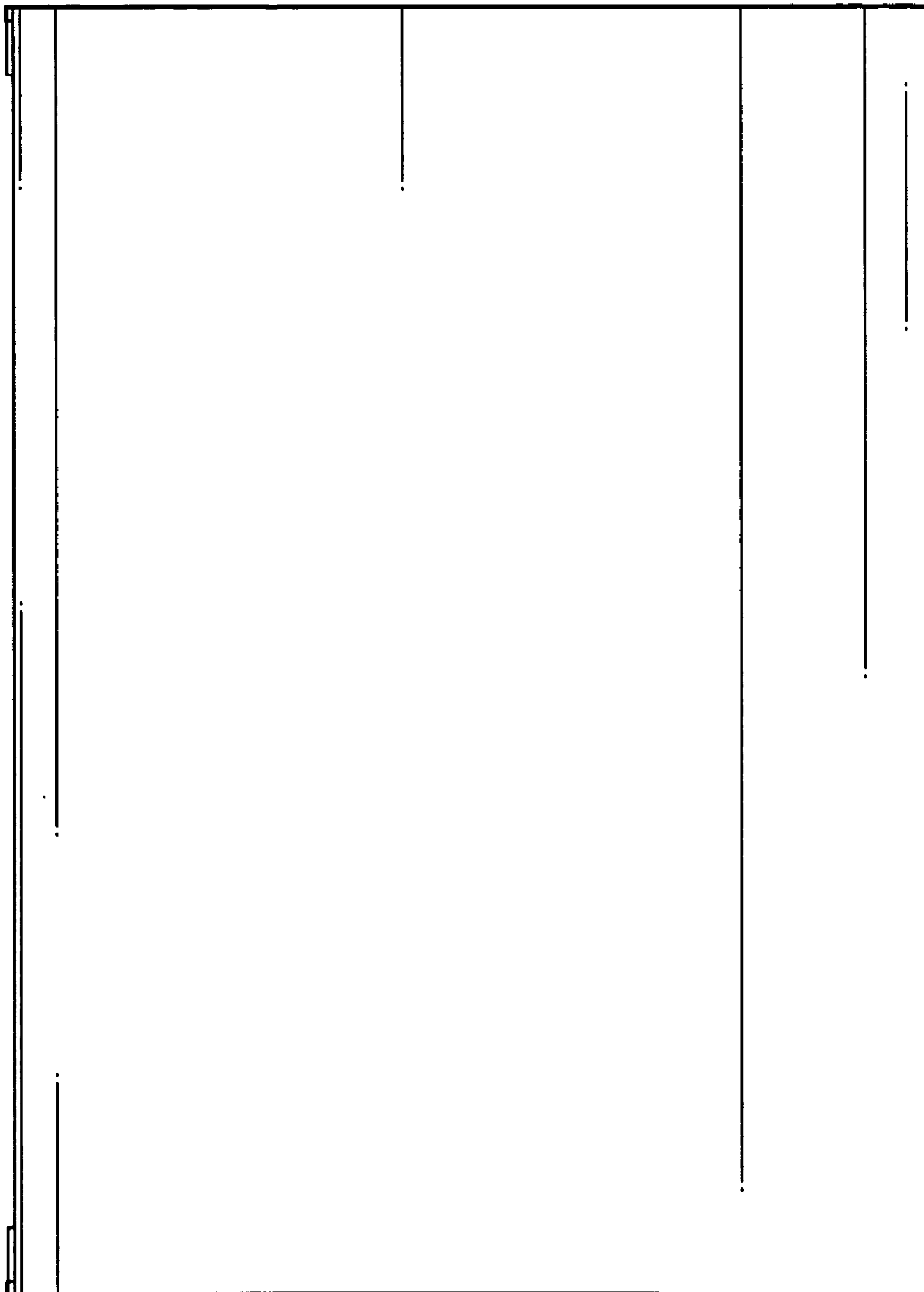


FIG. 6

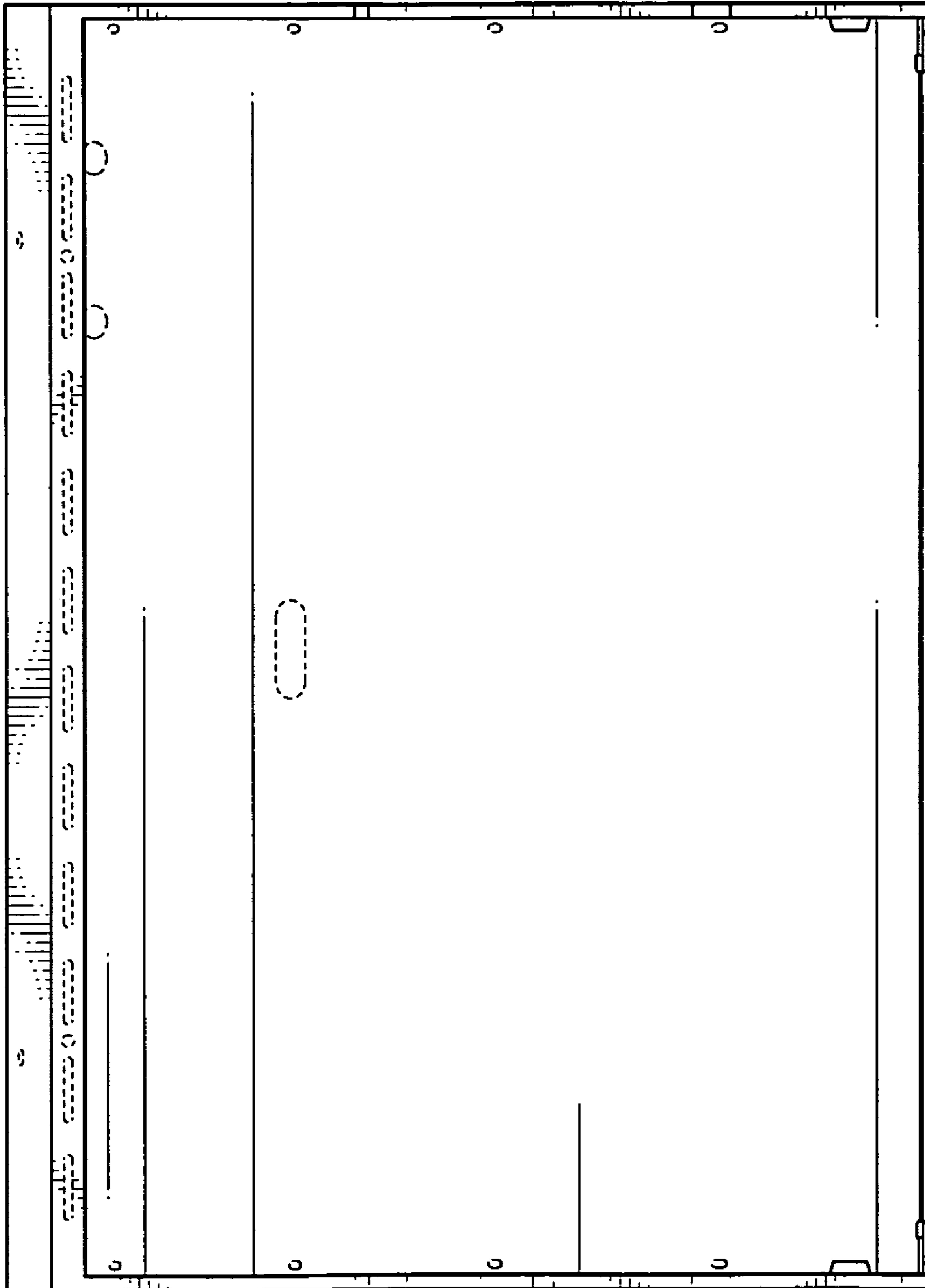


FIG. 7