



US00D651454S

(12) **United States Design Patent**
Chin

(10) **Patent No.:** **US D651,454 S**

(45) **Date of Patent:** **** Jan. 3, 2012**

(54) **WIRE CADDY**

(76) Inventor: **Anhua Chin**, Rancho Cucamonga, CA
(US)

(**) Term: **14 Years**

(21) Appl. No.: **29/376,697**

(22) Filed: **Oct. 11, 2010**

(51) **LOC (9) Cl.** **07-02**

(52) **U.S. Cl.** **D7/401.2**

(58) **Field of Classification Search** D6/462,
D6/465, 509-511, 574; D7/323, 329-339,
D7/346-347, 350.1-350.4, 354-364, 388,
D7/391, 393, 395, 402, 408-409, 538, 542,
D7/587, 598, 601, 611, 624.1, 667, 672, 704,
D7/706; D30/133; 99/324-325, 331-332,
99/337-340, 369, 403-418, 422-425, 444-450;
119/161, 166, 463; 126/9 B, 25 A, 25 R,
126/30, 41 R, 275 R, 380.1, 390.1, 506;
206/501-505, 507-508; 211/74; 219/400,
219/405, 435-442, 620-624, 725, 730-735;
220/4.03, 485-491, 573.1-573.5, 759, 769,
220/912; 426/438, 441, 523

See application file for complete search history.

(56) **References Cited**

U.S. PATENT DOCUMENTS

134,738 A * 1/1873 Dudley 211/74
D165,303 S * 11/1951 Rogers et al. D7/706

D166,410 S * 4/1952 Press D7/364
D208,648 S * 9/1967 Warner D7/611
D288,053 S * 2/1987 Maza et al. D7/704
D302,756 S * 8/1989 Trine D30/133
D483,579 S * 12/2003 Frankelton D6/462
D494,017 S * 8/2004 Compagnucci D7/601
D504,050 S * 4/2005 Vidal D7/598
D526,170 S * 8/2006 Gugni D7/706
D559,050 S * 1/2008 Mungal et al. D7/704
D568,004 S * 4/2008 Tiemann D30/133
D599,167 S * 9/2009 Tiemann D7/409

* cited by examiner

Primary Examiner — Ricky Pham

(74) *Attorney, Agent, or Firm* — Clement Cheng

(57) **CLAIM**

The ornamental design for a wire caddy, thereof as shown and described.

DESCRIPTION

FIG. 1 is a perspective view.

FIG. 2 is a front view.

FIG. 3 is a rear view.

FIG. 4 is a left side view.

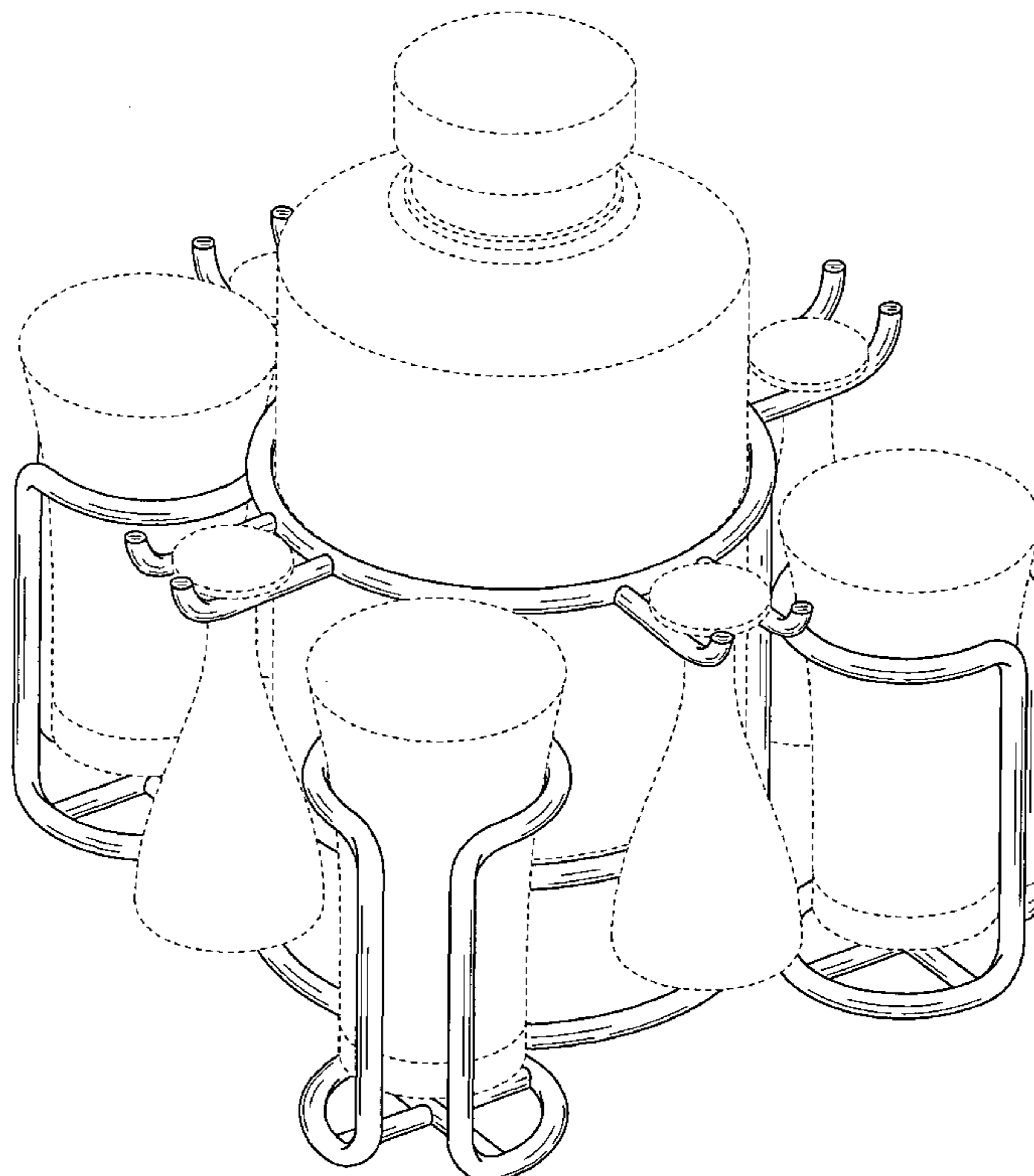
FIG. 5 is a right side view.

FIG. 6 is a top view; and,

FIG. 7 is a bottom view.

The dotted line disclosure shown in the drawings is not claimed and forms no part of the claimed invention.

1 Claim, 7 Drawing Sheets



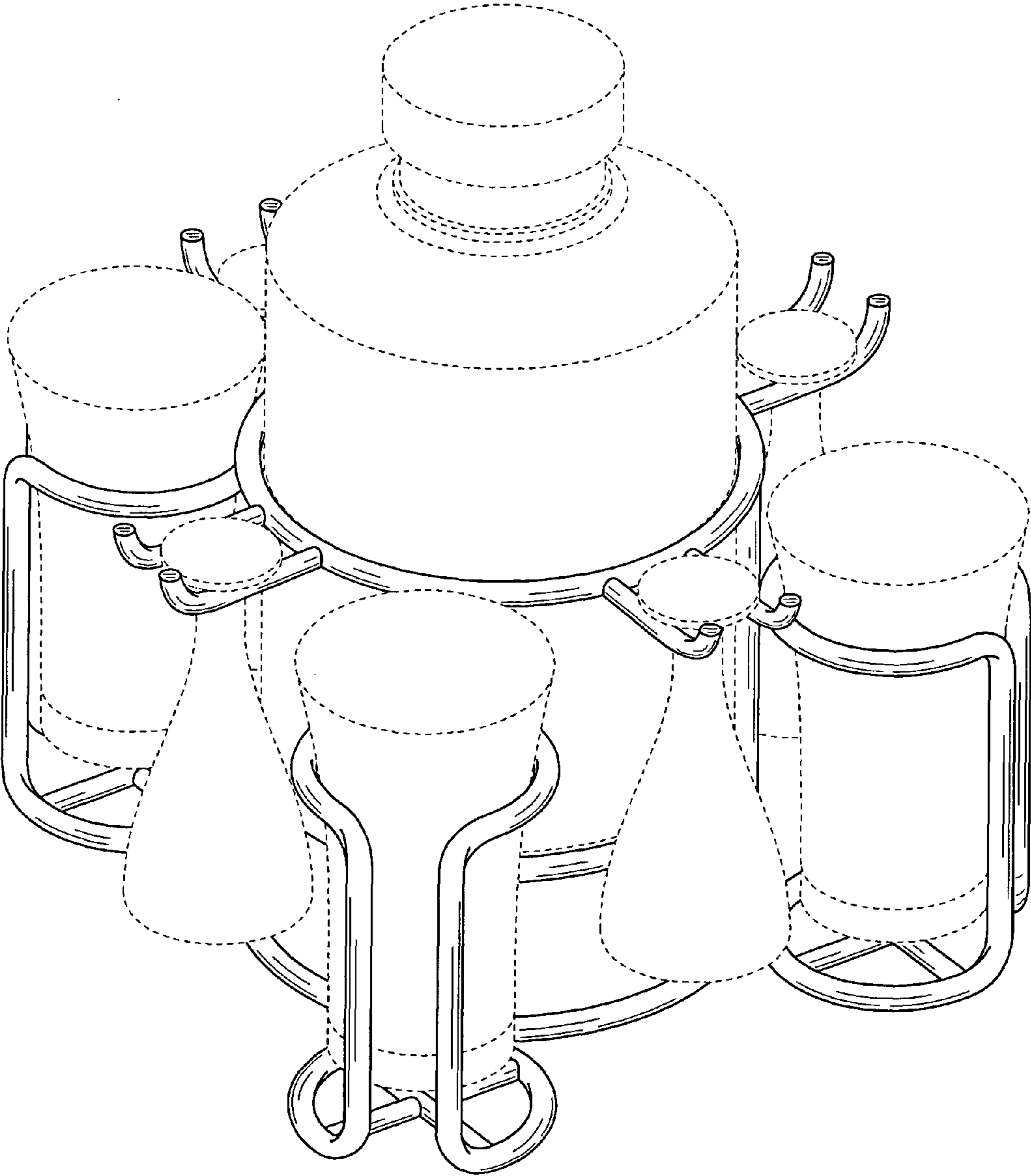


FIG. 1

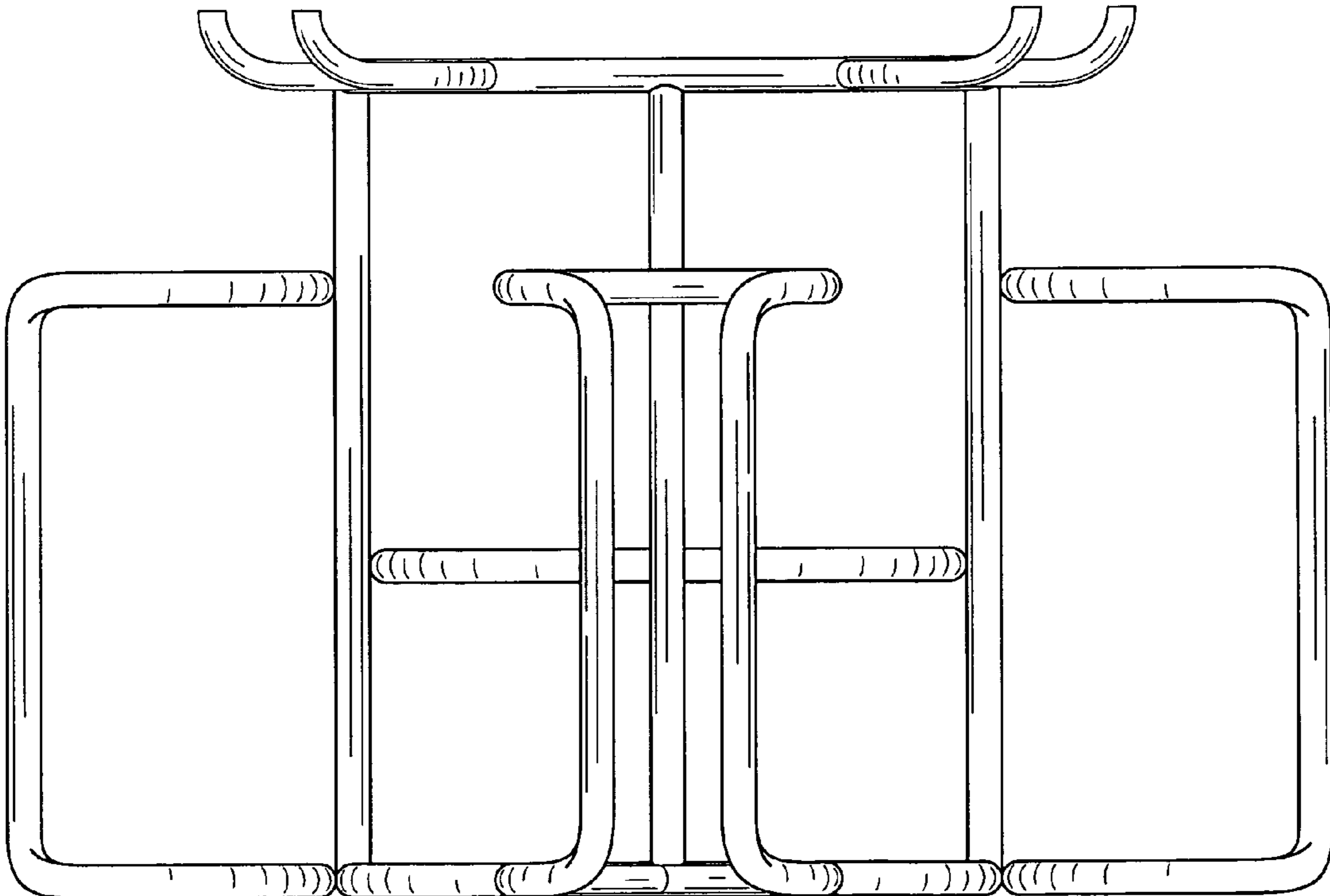


FIG. 2

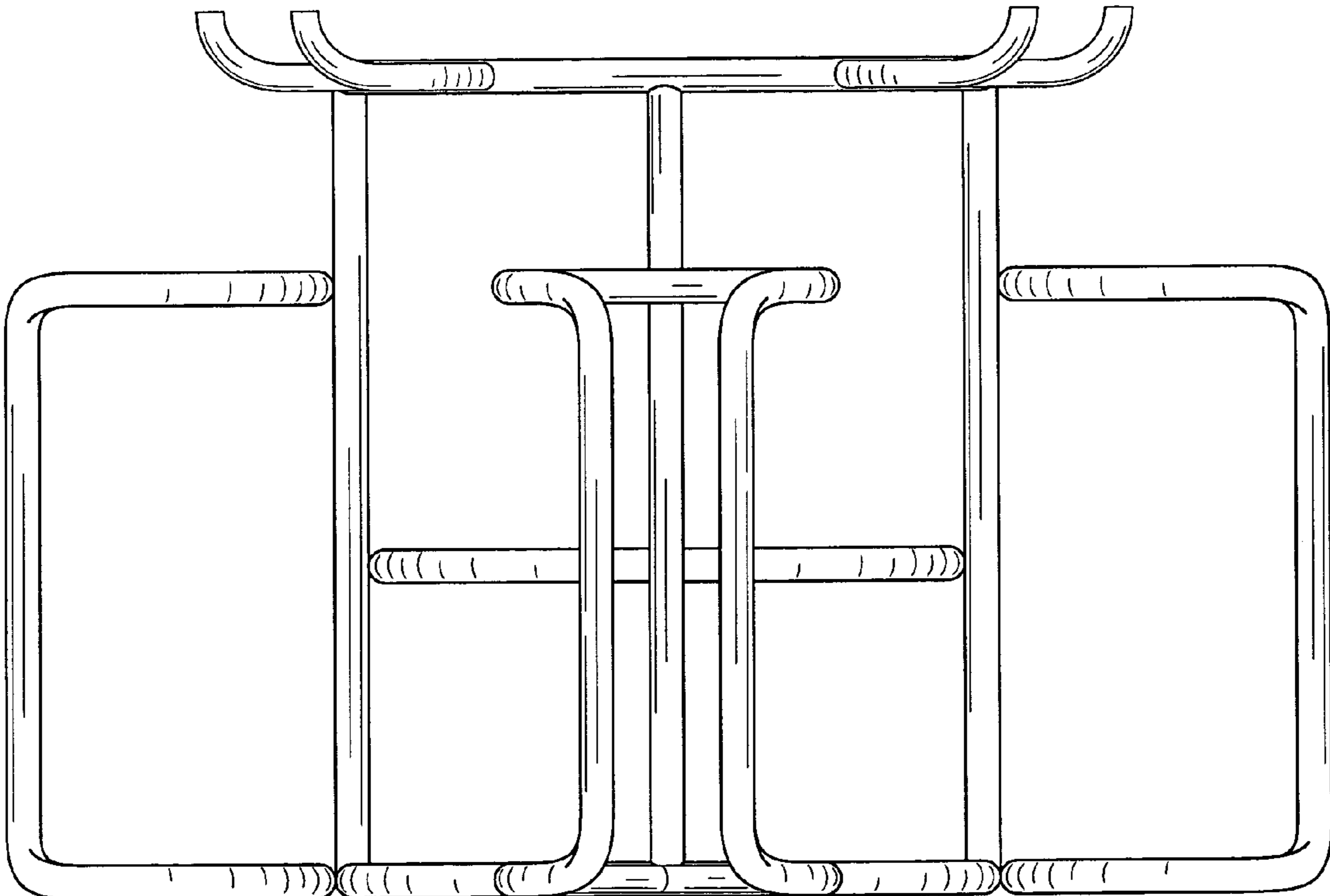


FIG. 3

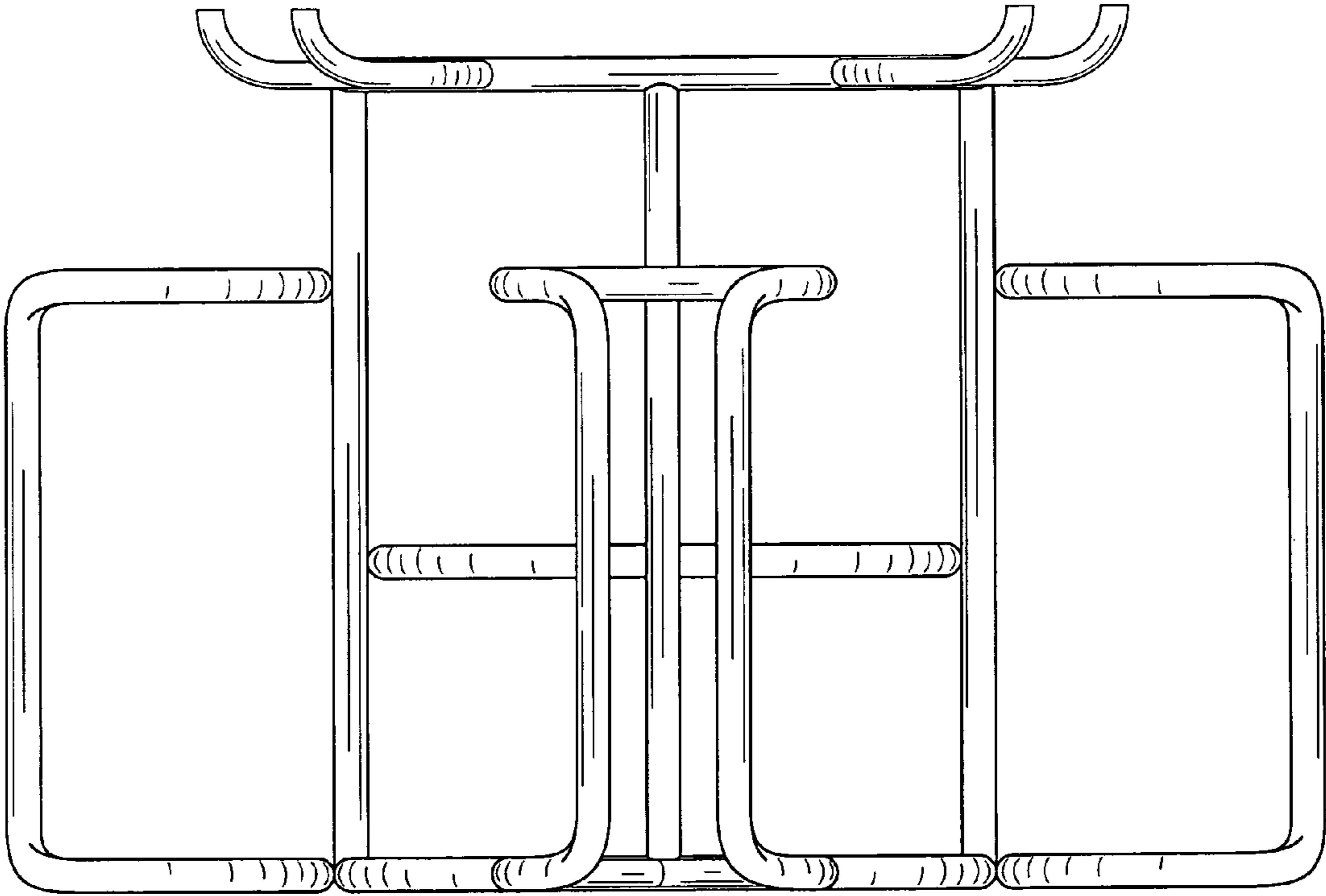


FIG. 4

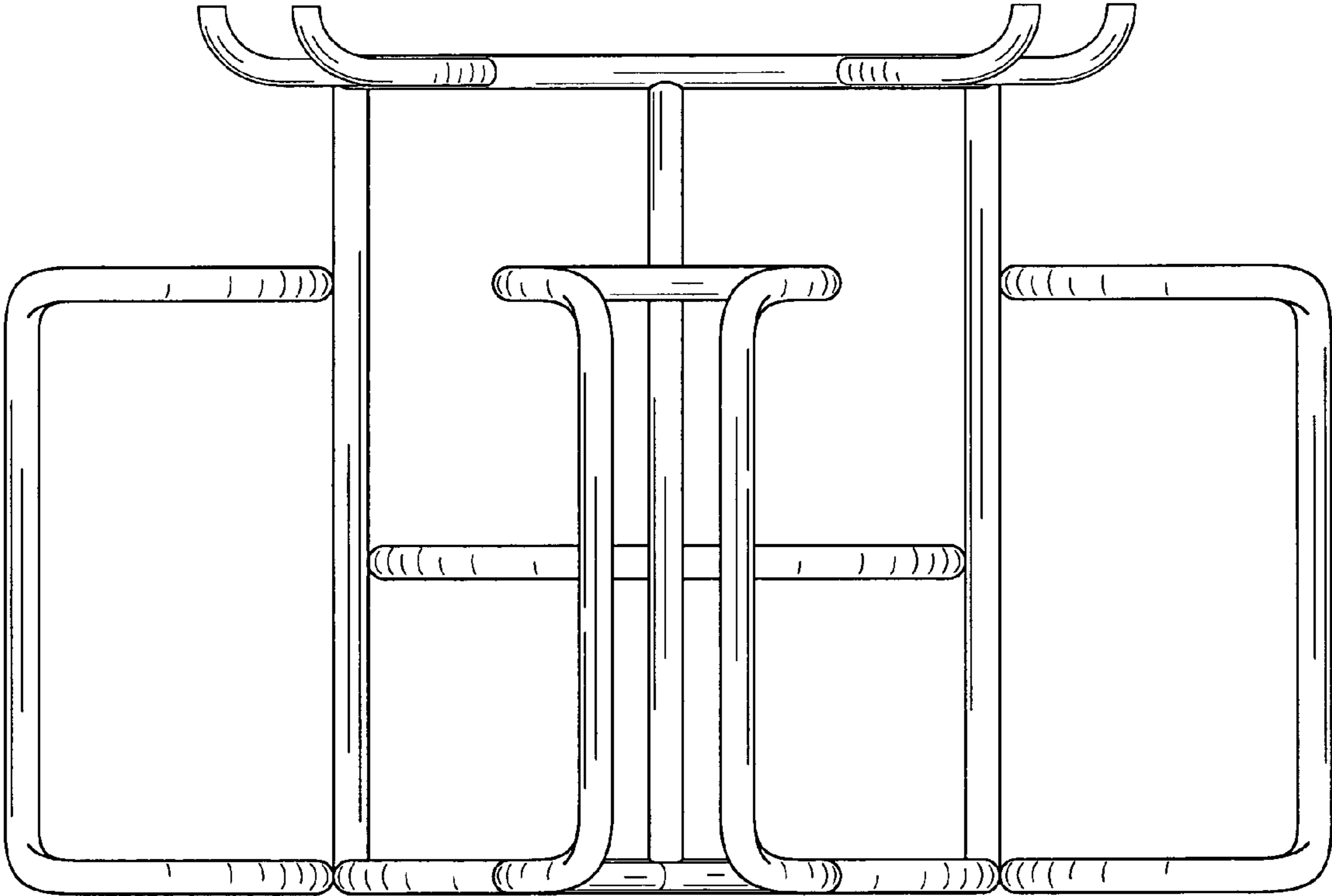


FIG. 5

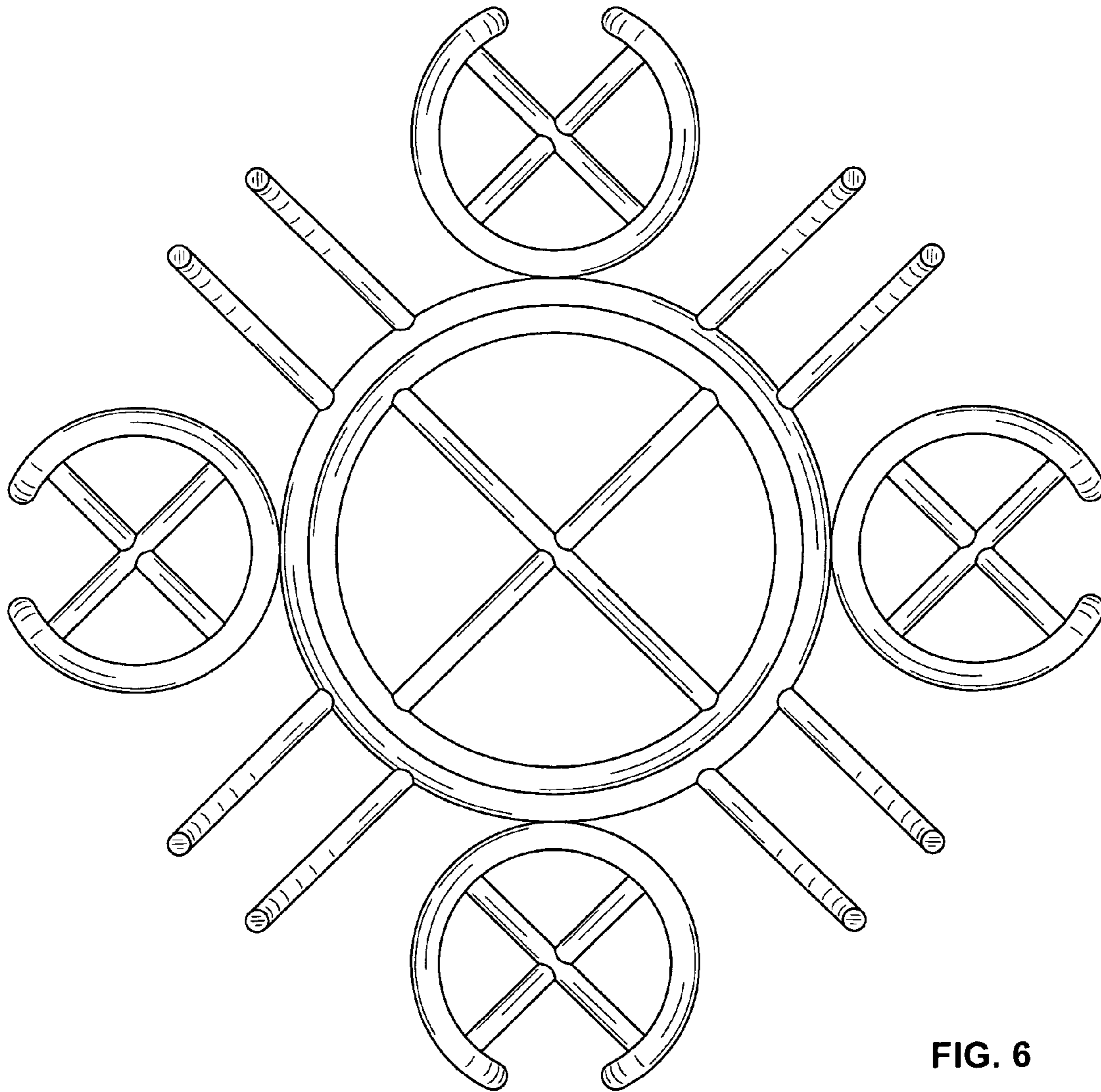


FIG. 6

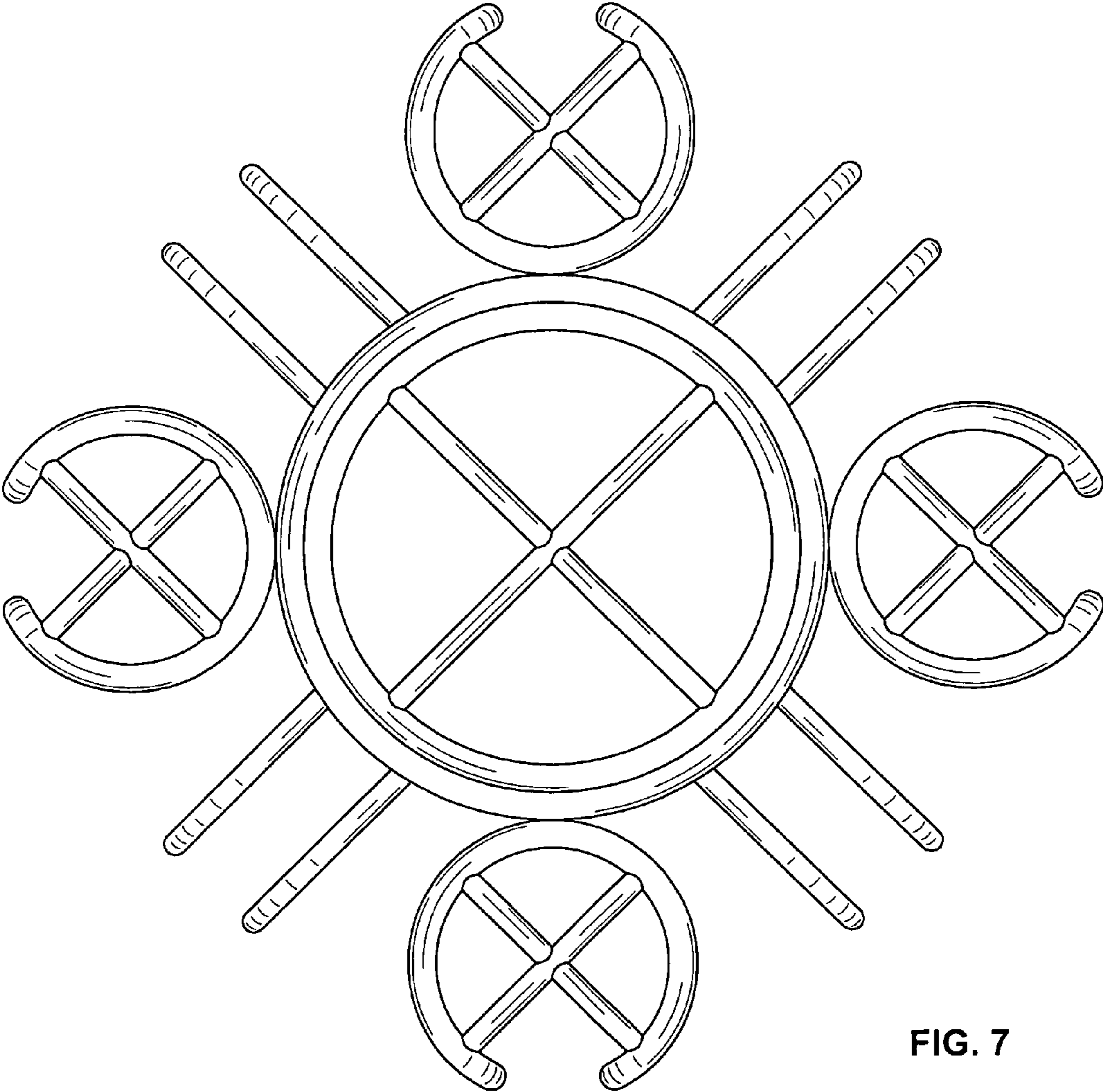


FIG. 7