



US00D651451S

(12) **United States Design Patent**  
**Rae**

(10) **Patent No.:** **US D651,451 S**  
(45) **Date of Patent:** **\*\* Jan. 3, 2012**

(54) **TUBULAR COOKWARE HANDLE WITH OPEN END CAVITY**

(76) Inventor: **Robert A. Rae**, Las Vegas, NV (US)

(\*\*) Term: **14 Years**

(21) Appl. No.: **29/372,965**

(22) Filed: **Feb. 11, 2011**

(51) **LOC (9) Cl.** ..... **07-02**

(52) **U.S. Cl.** ..... **D7/395**

(58) **Field of Classification Search** ..... D7/354-361,  
D7/393-395, 401.2, 664; D8/107, 300, 303,  
D8/307, 313, 321; D4/138, 129; 16/421,  
16/430, 431, 110.1, 407; 220/573.1-573.5,  
220/752, 753, 755, 756, 759, 767, 771, 912  
See application file for complete search history.

(56) **References Cited**

**U.S. PATENT DOCUMENTS**

6,419,107	B1 *	7/2002	Cheng	.....	220/573.1
D511,068	S *	11/2005	Coppi	.....	D7/395
D560,427	S *	1/2008	Prakasa	.....	D7/395
D608,138	S *	1/2010	Rae	.....	D7/395
D608,139	S *	1/2010	Rae	.....	D7/395
D617,140	S *	6/2010	Rae	.....	D7/395
D630,053	S *	1/2011	Josancy	.....	D7/395

\* cited by examiner

*Primary Examiner* — Cynthia M Chin

(74) *Attorney, Agent, or Firm* — Edward S. Sherman

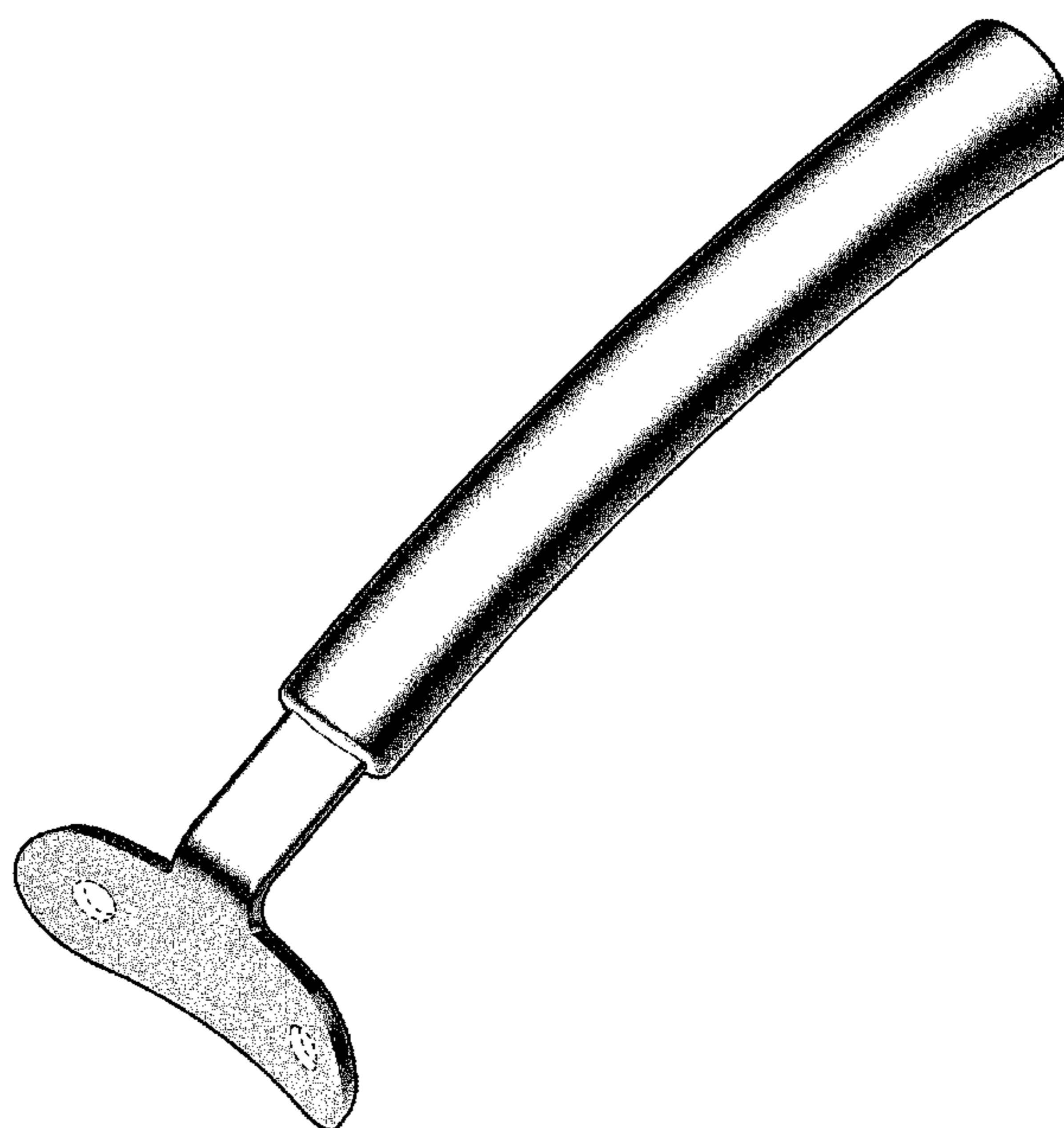
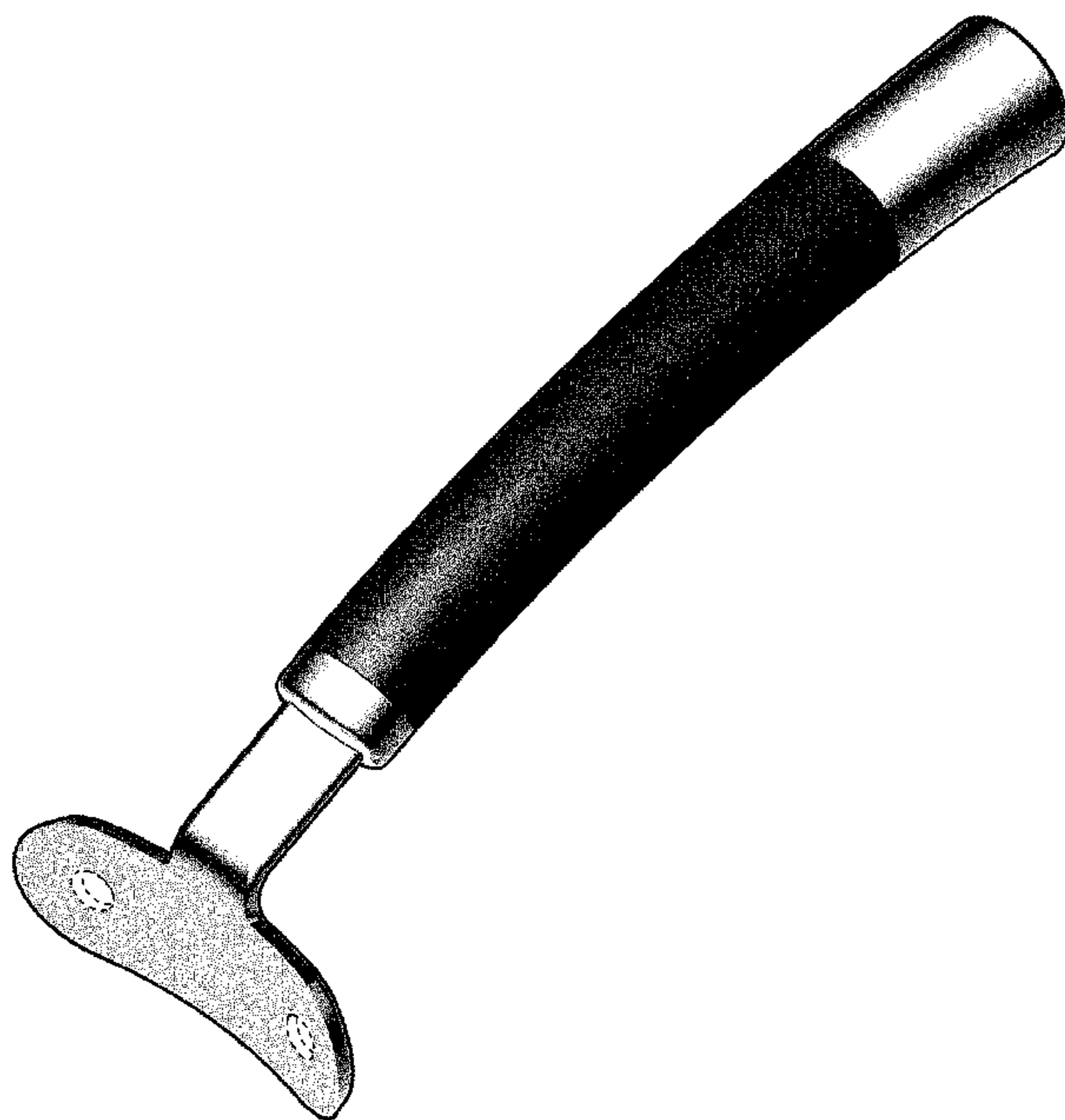
(57) **CLAIM**

The ornamental design for a “tubular cookware handle with open end cavity,” as shown and described.

**DESCRIPTION**

FIG. 1 is a perspective view of the “tubular cookware handle with open end cavity” showing my new design;  
 FIG. 2 is a right side elevation view thereof, the left side elevation view being a mirror image thereof;  
 FIG. 3 is a bottom plan view thereof;  
 FIG. 4 is a top plan view thereof;  
 FIG. 5 is a front elevation thereof;  
 FIG. 6 is a back elevation view thereof;  
 FIG. 7 is a partial cross-sectional view of the terminal portion of the handle taken along the line 7-7 from FIG. 3;  
 FIG. 8 is a perspective view of a second embodiment of the “tubular cookware handle with open end cavity” showing my new design;  
 FIG. 9 is a right side elevation view thereof, the left side elevation view being a mirror image thereof;  
 FIG. 10 is a bottom plan view thereof;  
 FIG. 11 is a top plan view thereof;  
 FIG. 12 is a front elevation thereof;  
 FIG. 13 is a back elevation view thereof; and,  
 FIG. 14 is a partial cross-section view of the terminal portion of the handle taken along the line 14-14 from FIG. 10.  
 The broken lines in FIGS. 1, 2, 5, 6, 8, 9, 12 and 13 are for illustrative purposes only, depicting the environment of the new design, forming no part thereof as claimed.

**1 Claim, 8 Drawing Sheets**



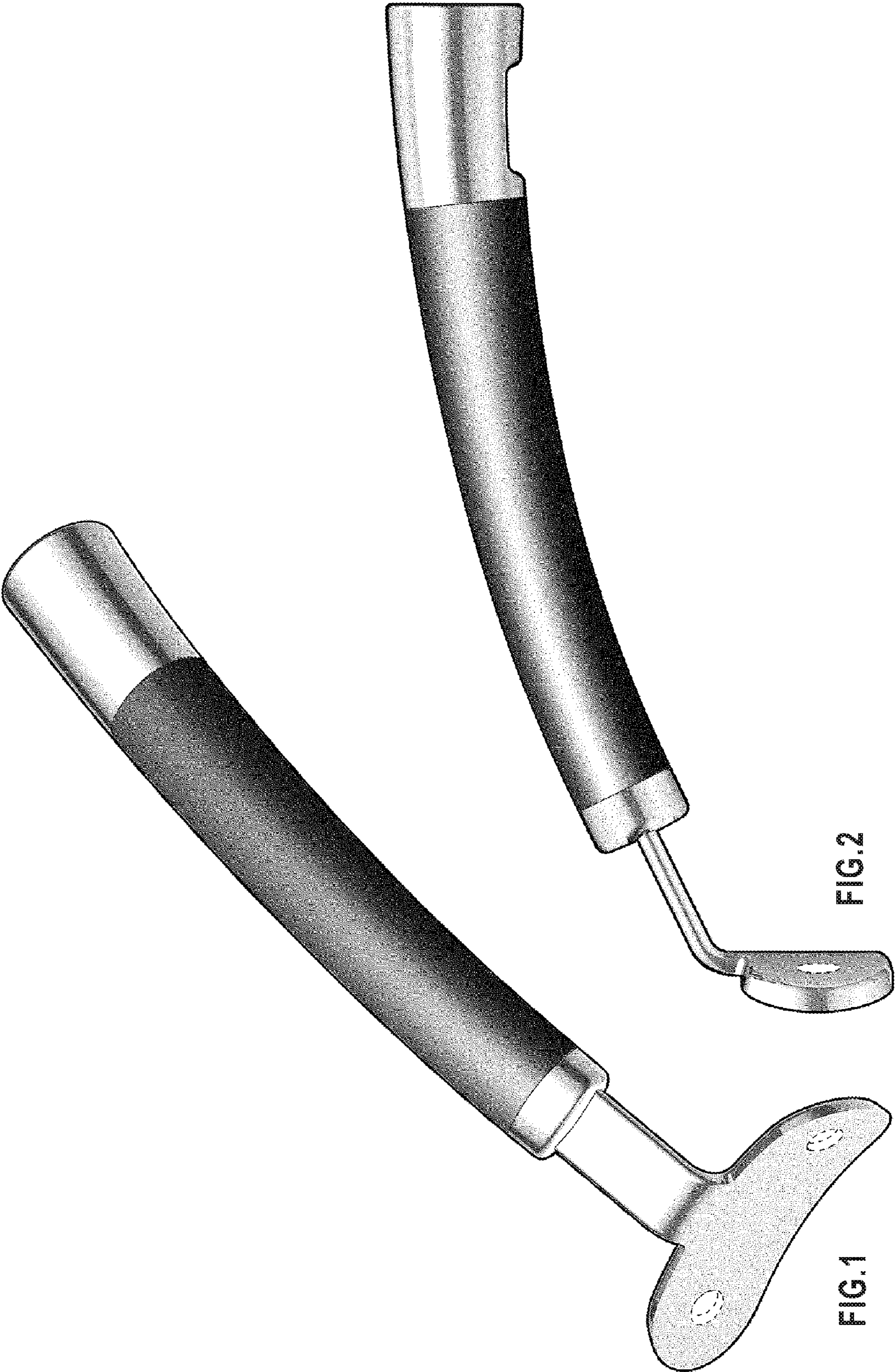


FIG.2

FIG.1

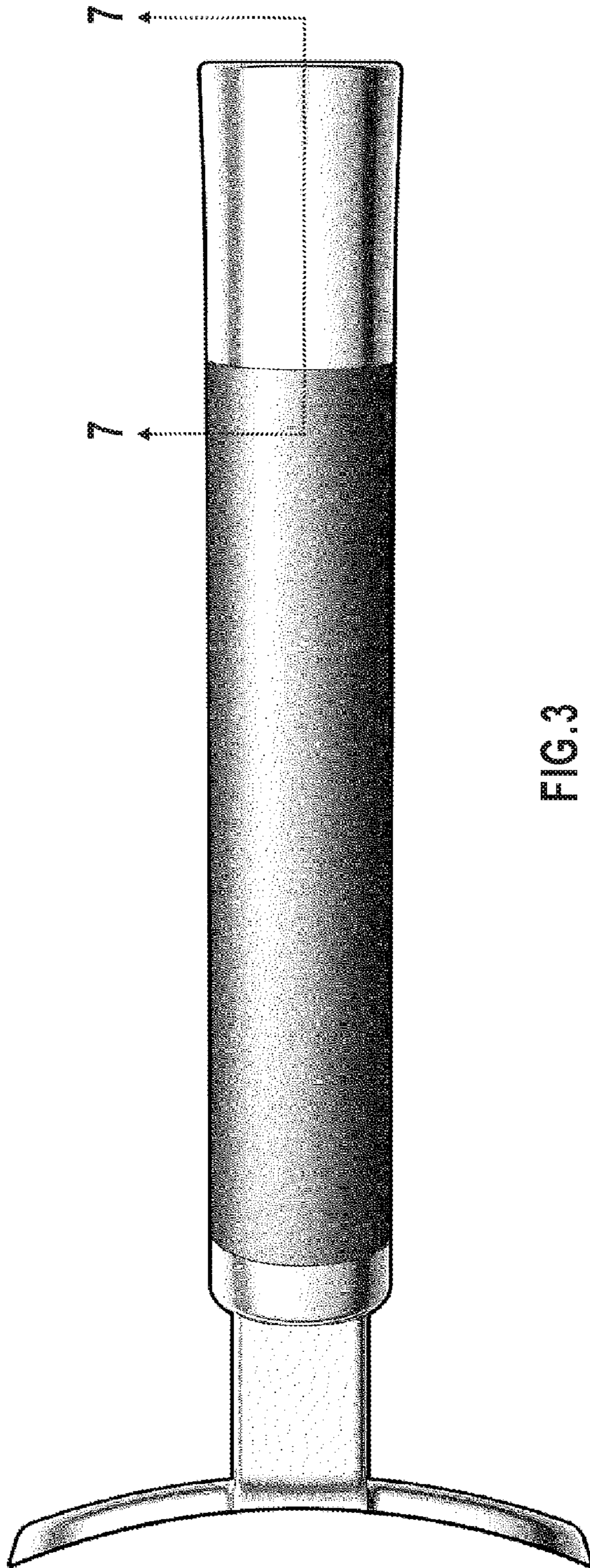


FIG. 3

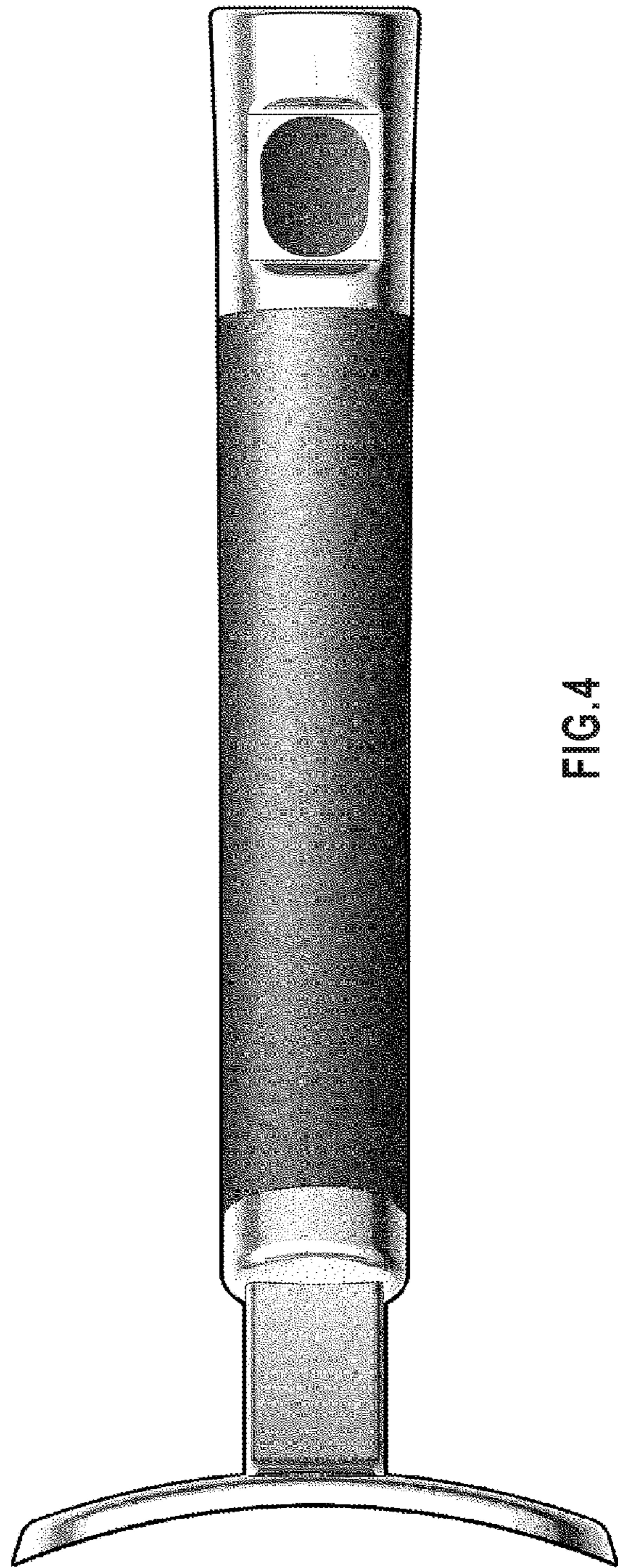


FIG. 4

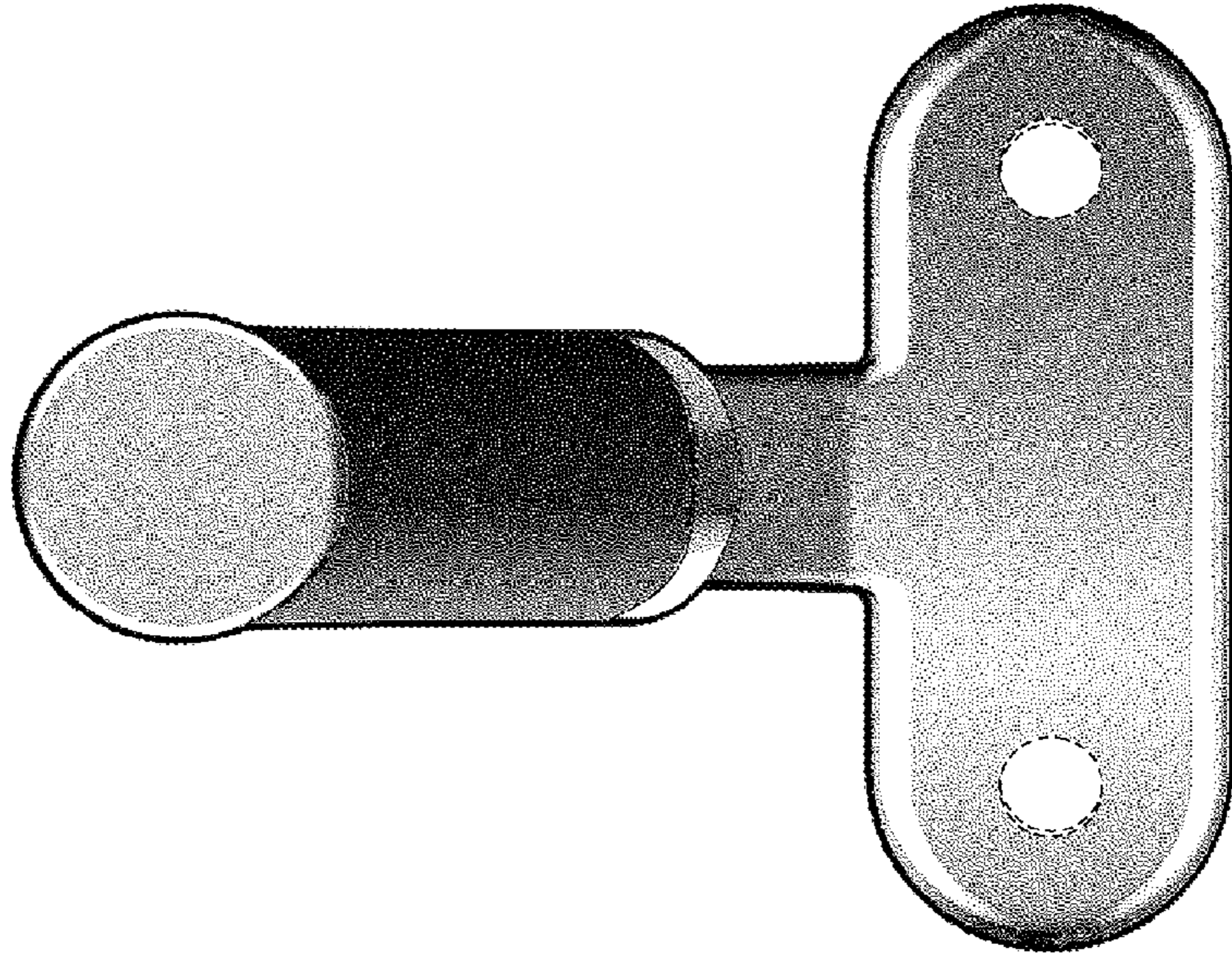


FIG.6

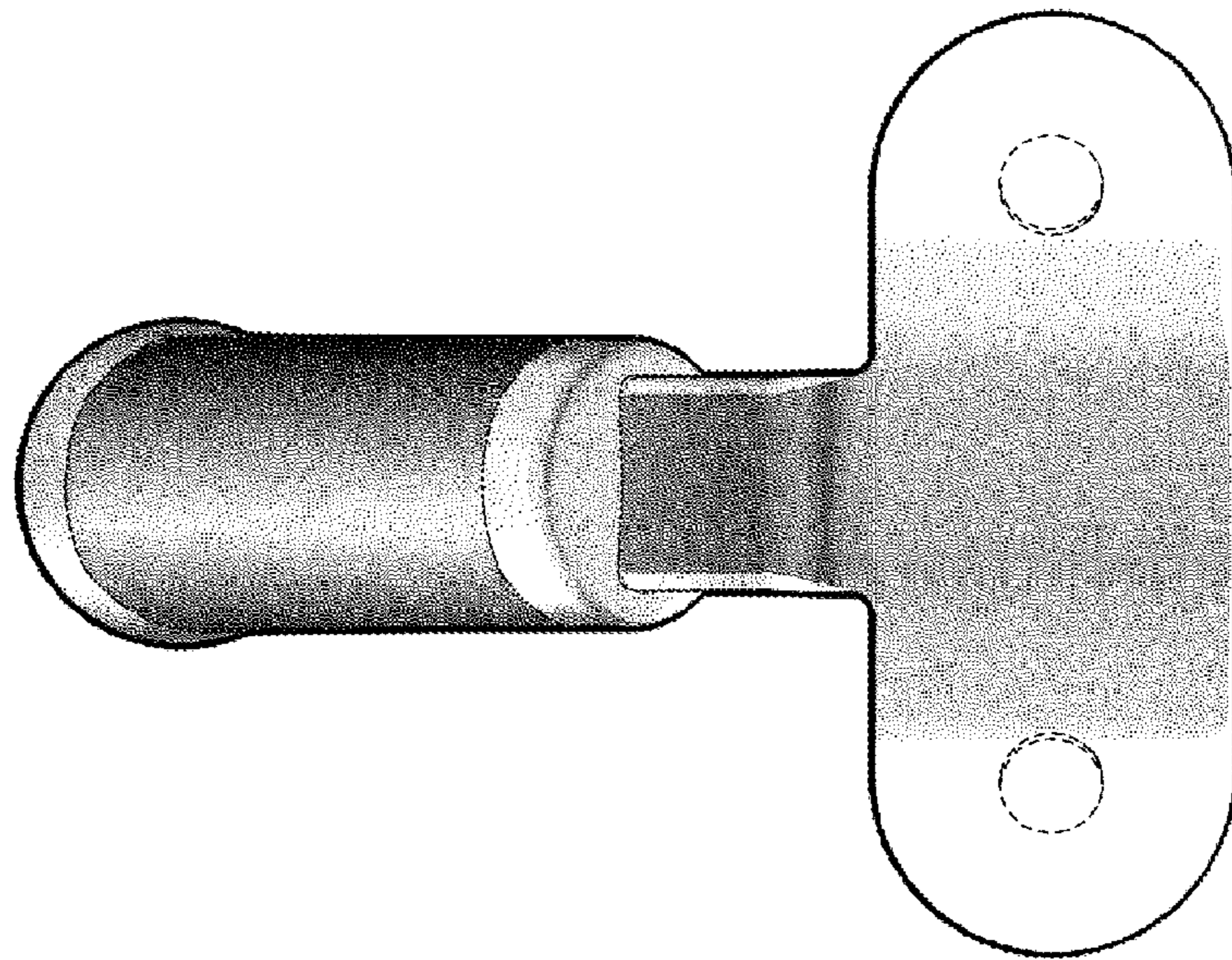


FIG.5

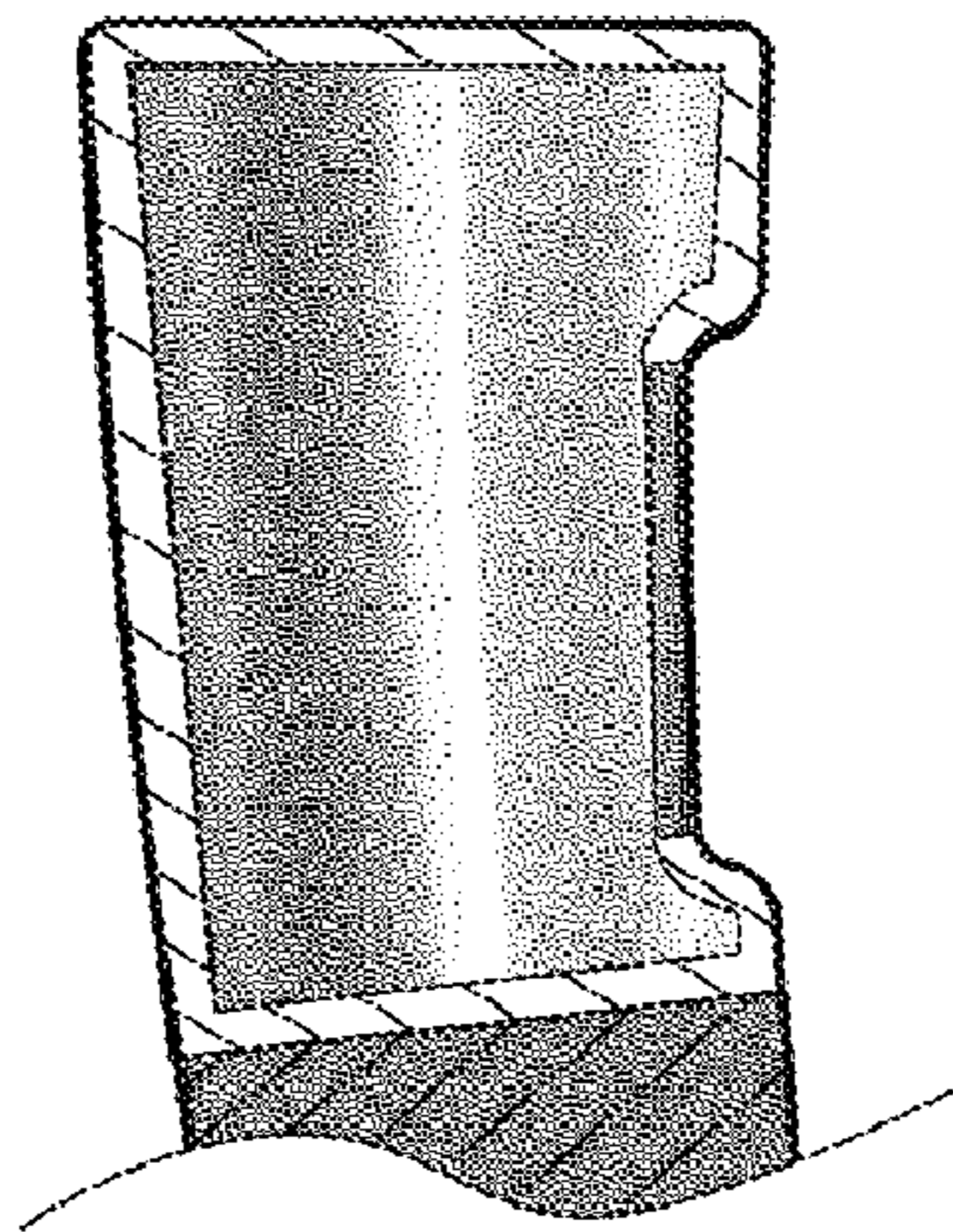


FIG. 7

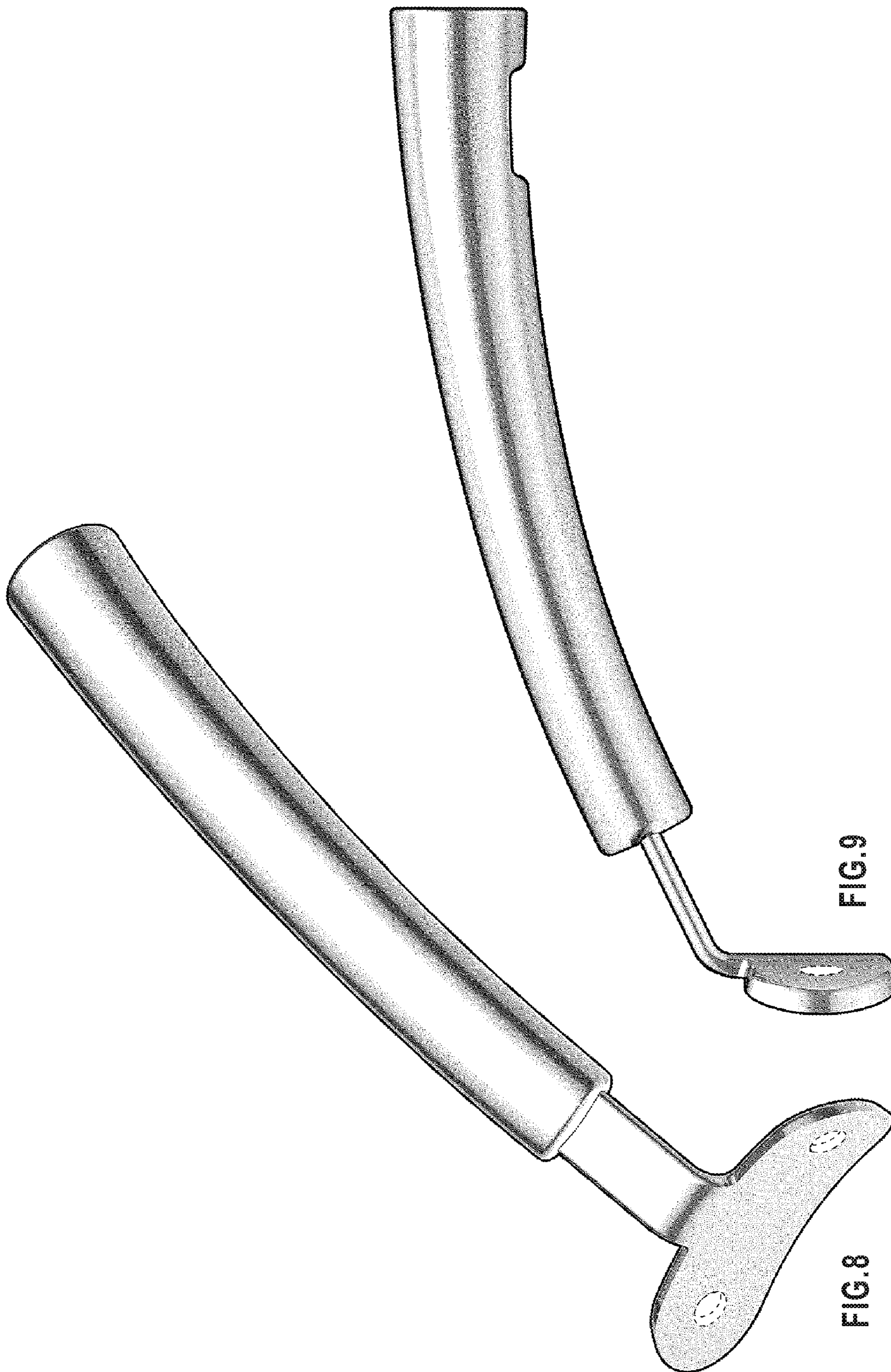


FIG.9

FIG.8

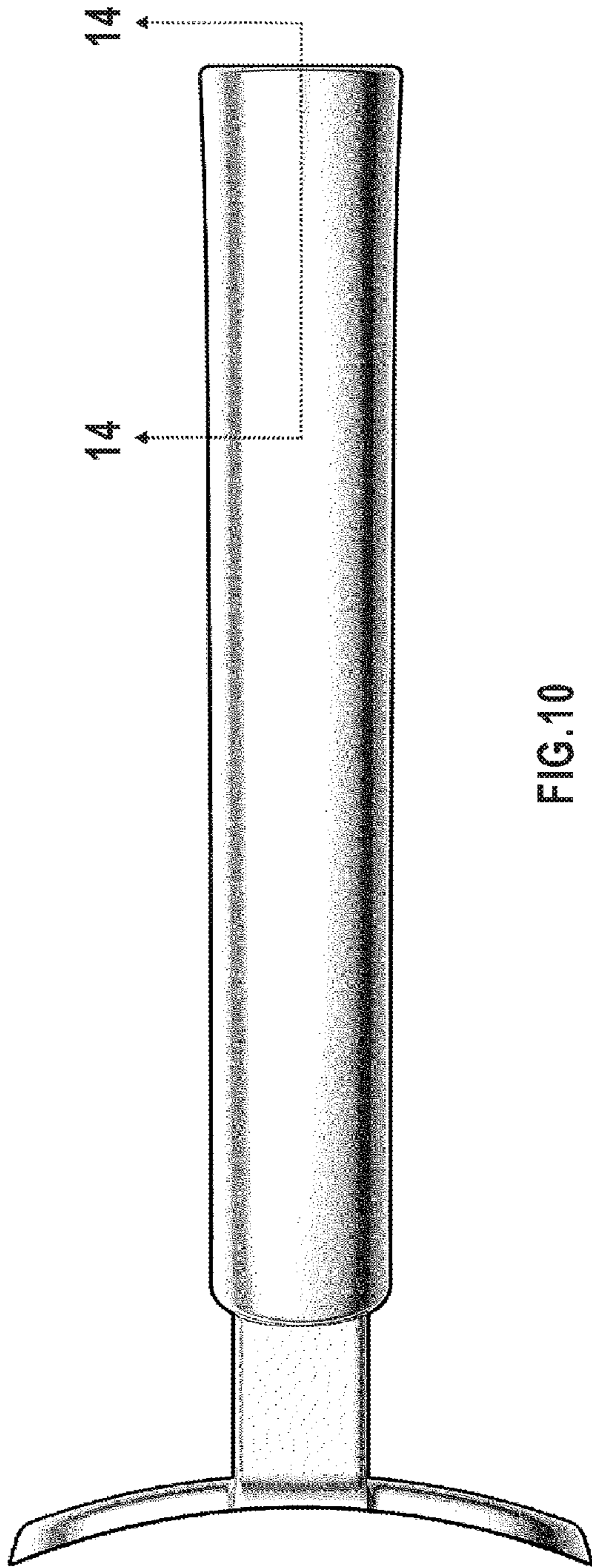


FIG. 10

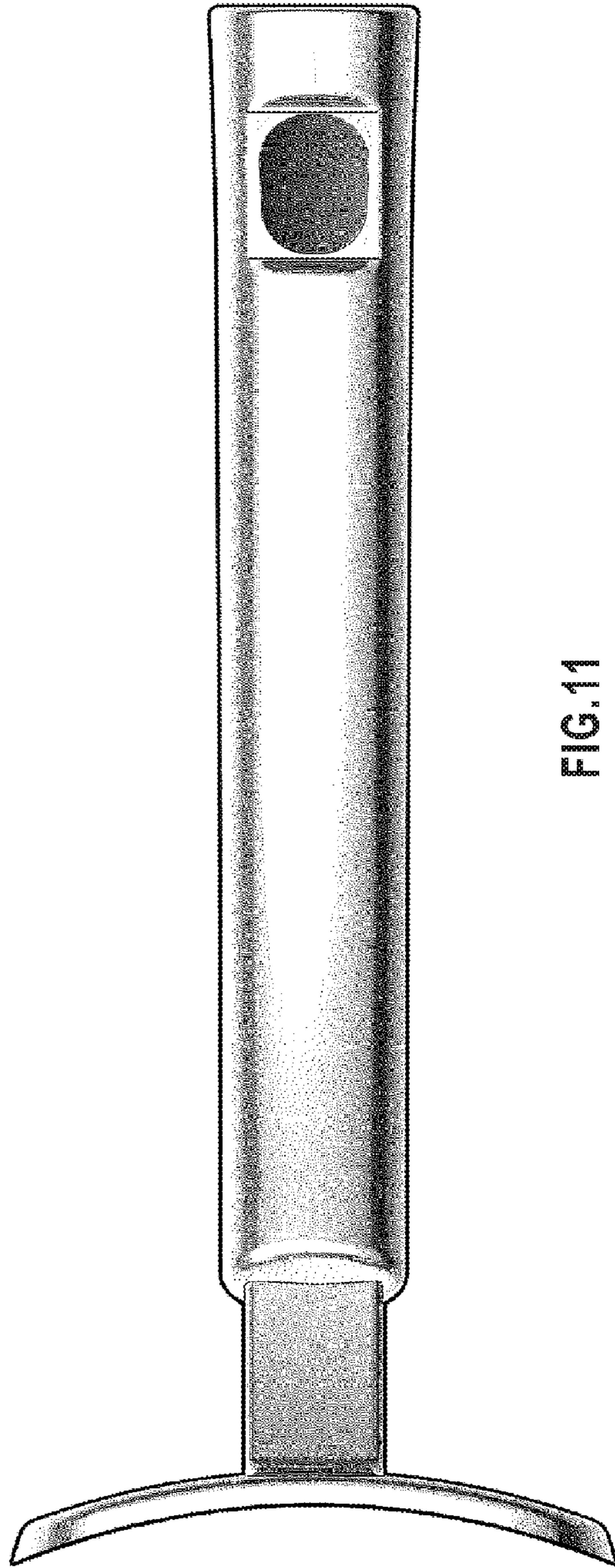


FIG. 11

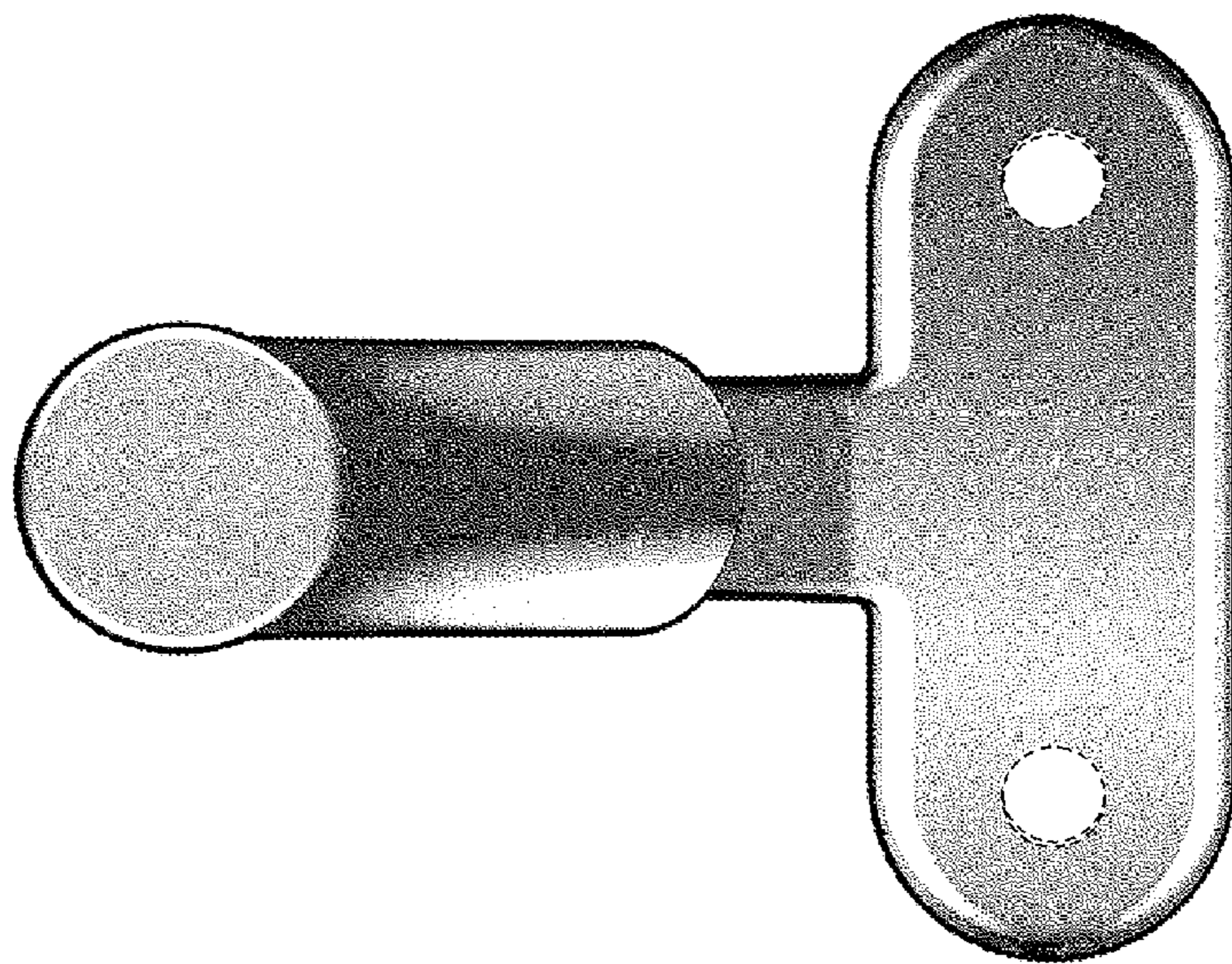


FIG.13

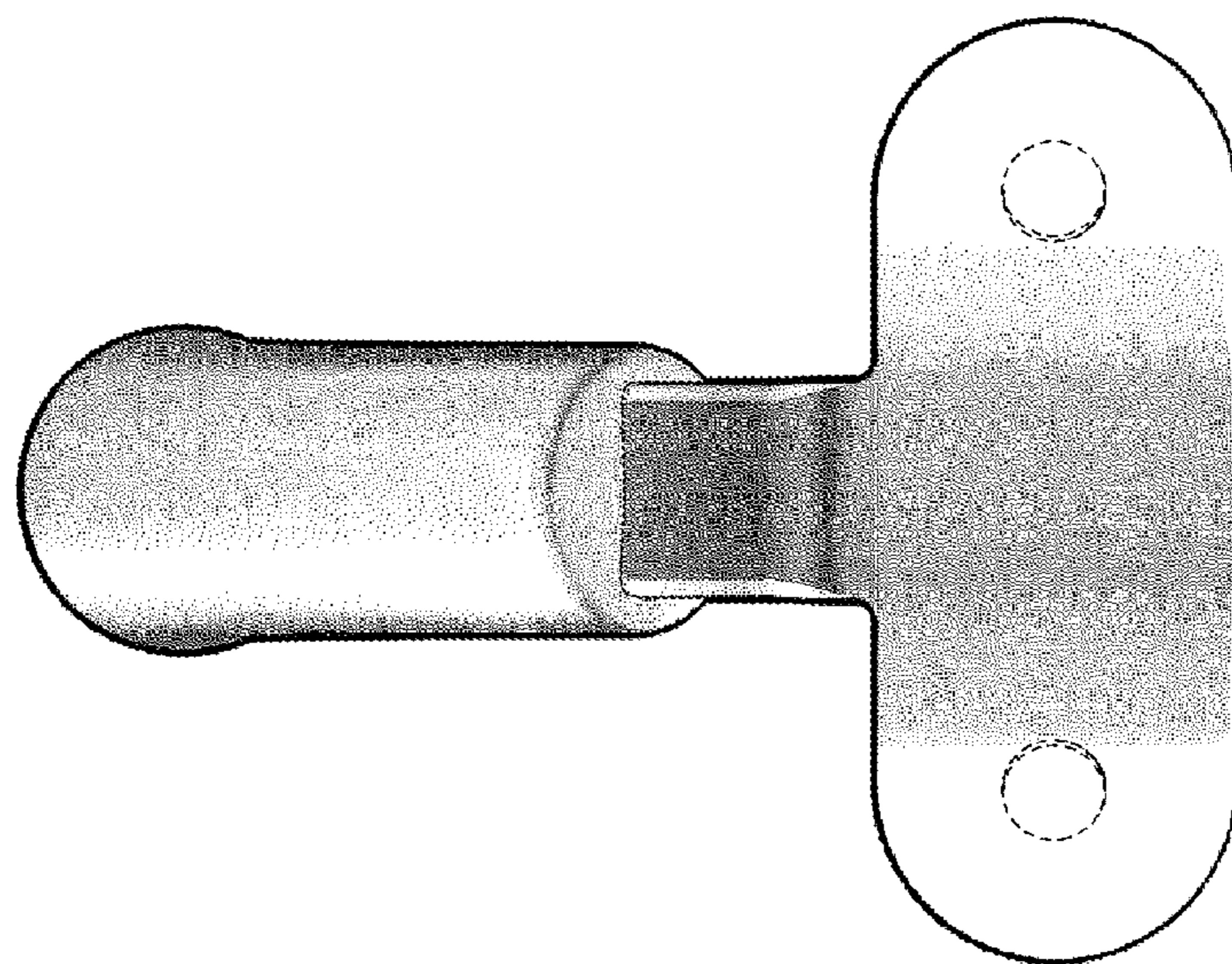


FIG.12



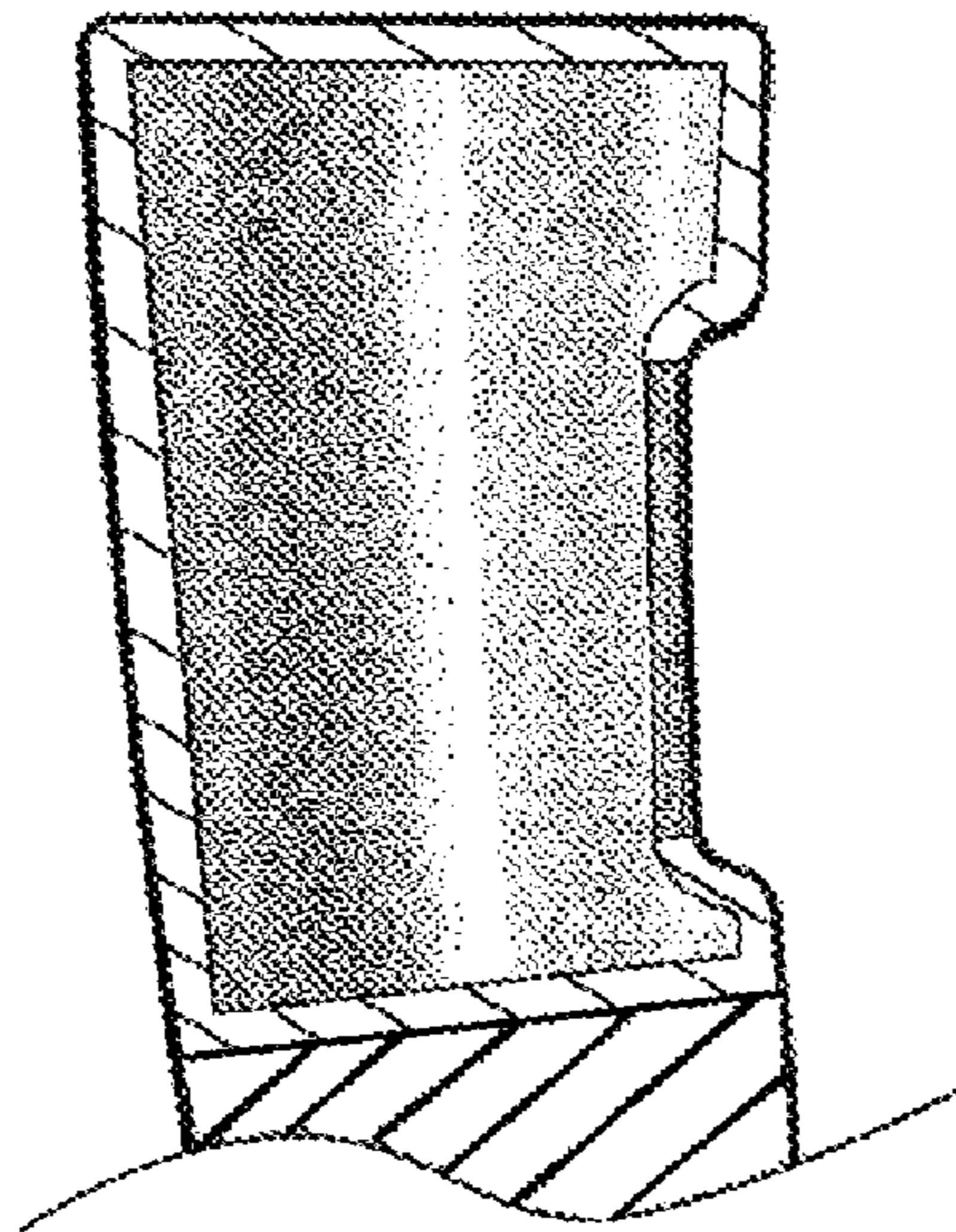


FIG. 14