



US00D651449S

(12) **United States Design Patent**
Palotto

(10) **Patent No.:** **US D651,449 S**

(45) **Date of Patent:** **** *Jan. 3, 2012**

(54) **CONTAINER FOR MAKING MAKI SUSHI**

(75) Inventor: **Simone Palotto**, Etterbeek (BE)

(73) Assignee: **Dart Industries Inc.**, Orlando, FL (US)

(**) Term: **14 Years**

(21) Appl. No.: **29/372,696**

(22) Filed: **Dec. 29, 2010**

(51) **LOC (9) Cl.** **07-02**

(52) **U.S. Cl.** **D7/368**; D7/669; D7/672

(58) **Field of Classification Search** D7/368,
D7/669, 672-677; 249/122; 99/426, 428,
99/439, 450.1, 450.6, 450.2, 450.7; 426/274,
426/242, 138; 425/112, 383

See application file for complete search history.

(56) **References Cited**

U.S. PATENT DOCUMENTS

D391,124	S *	2/1998	Cote	D7/672
6,463,844	B1 *	10/2002	Wang et al.	99/426
D523,707	S *	6/2006	Williams	D7/674
7,726,236	B2 *	6/2010	Graham et al.	99/450.1
2004/0025713	A1 *	2/2004	Leak et al.	99/450.6
2008/0196598	A1 *	8/2008	Graham et al.	99/426
2010/0024664	A1 *	2/2010	Rolland	99/450.6

FOREIGN PATENT DOCUMENTS

JP	1120346	9/2001
JP	1149161	8/2002

OTHER PUBLICATIONS

Mizuno Co., Ltd. digital photographs (4) and copy of box for "Rolled-Sushi Molding Device" shown in Japanese Design Publication 1120346.

Mizuno Co., Ltd. digital photographs (3) and copy of box for "Rolled-Sushi Molding Device" shown in Japanese Design Publication 1149161.

* cited by examiner

Primary Examiner — Terry Wallace

(74) *Attorney, Agent, or Firm* — John A. Doninger

(57) **CLAIM**

The ornamental design for a container for making maki sushi, as shown and described.

DESCRIPTION

FIG. 1 is a top, side and front perspective view of a container for making maki sushi showing my new design;

FIG. 2 is a bottom, side and front perspective view thereof;

FIG. 3 is a top plan view thereof;

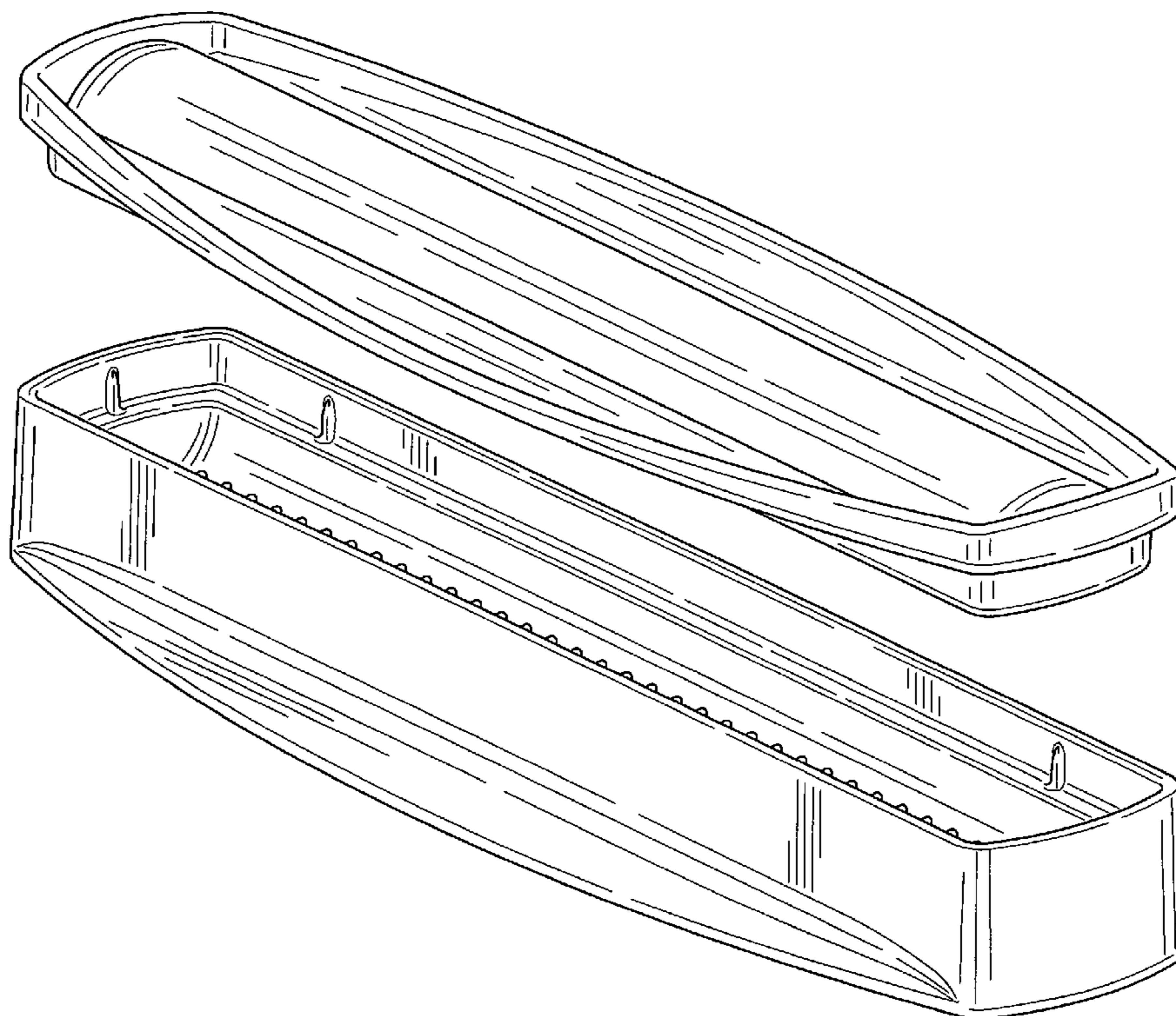
FIG. 4 is a bottom plan view thereof;

FIG. 5 is a front elevation view, the rear elevation being identical thereto;

FIG. 6 is a left side elevation view, the right side elevation being identical thereto; and,

FIG. 7 is an exploded perspective view of the container for making maki sushi shown in FIG. 1.

1 Claim, 4 Drawing Sheets



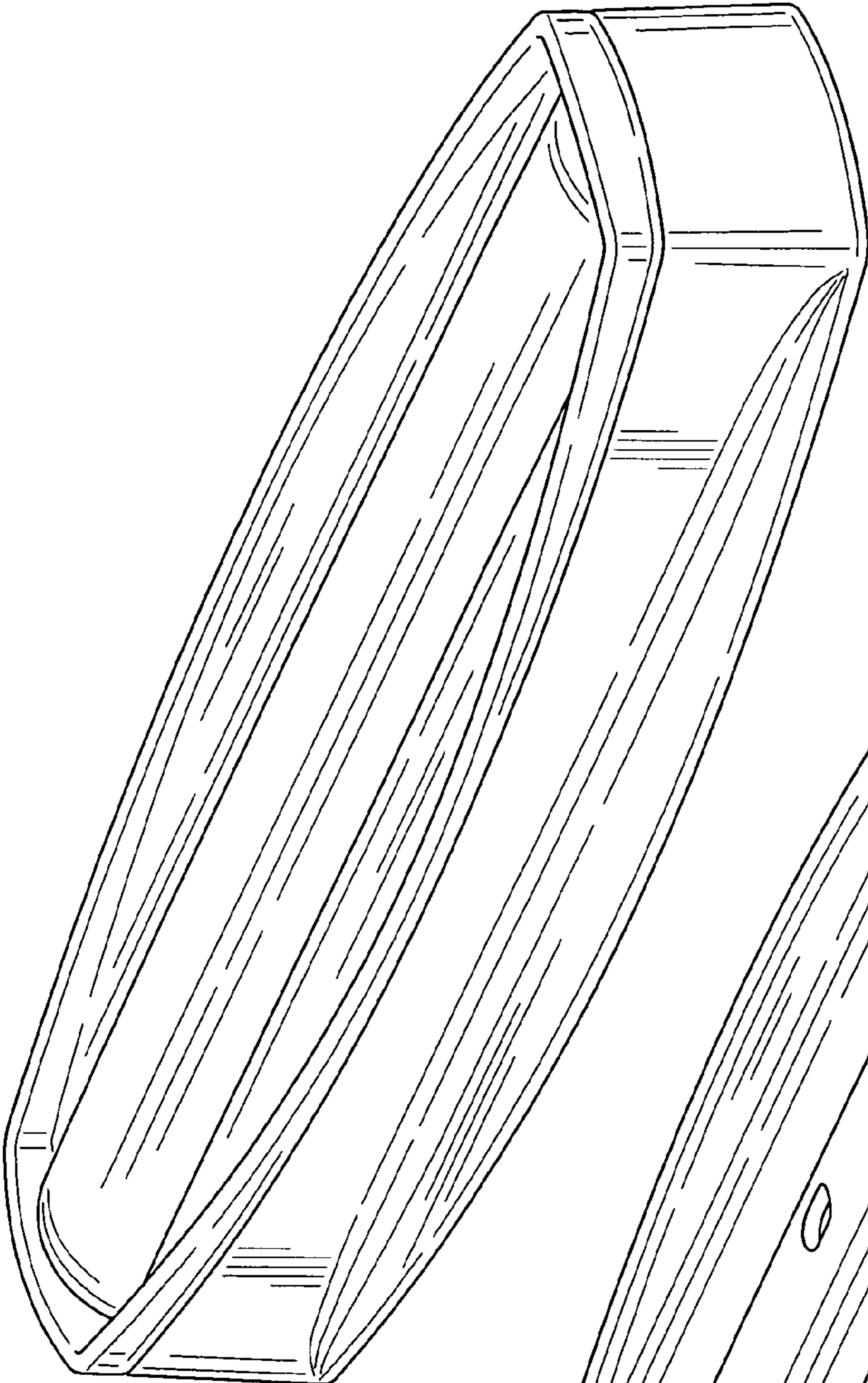


FIG. 1

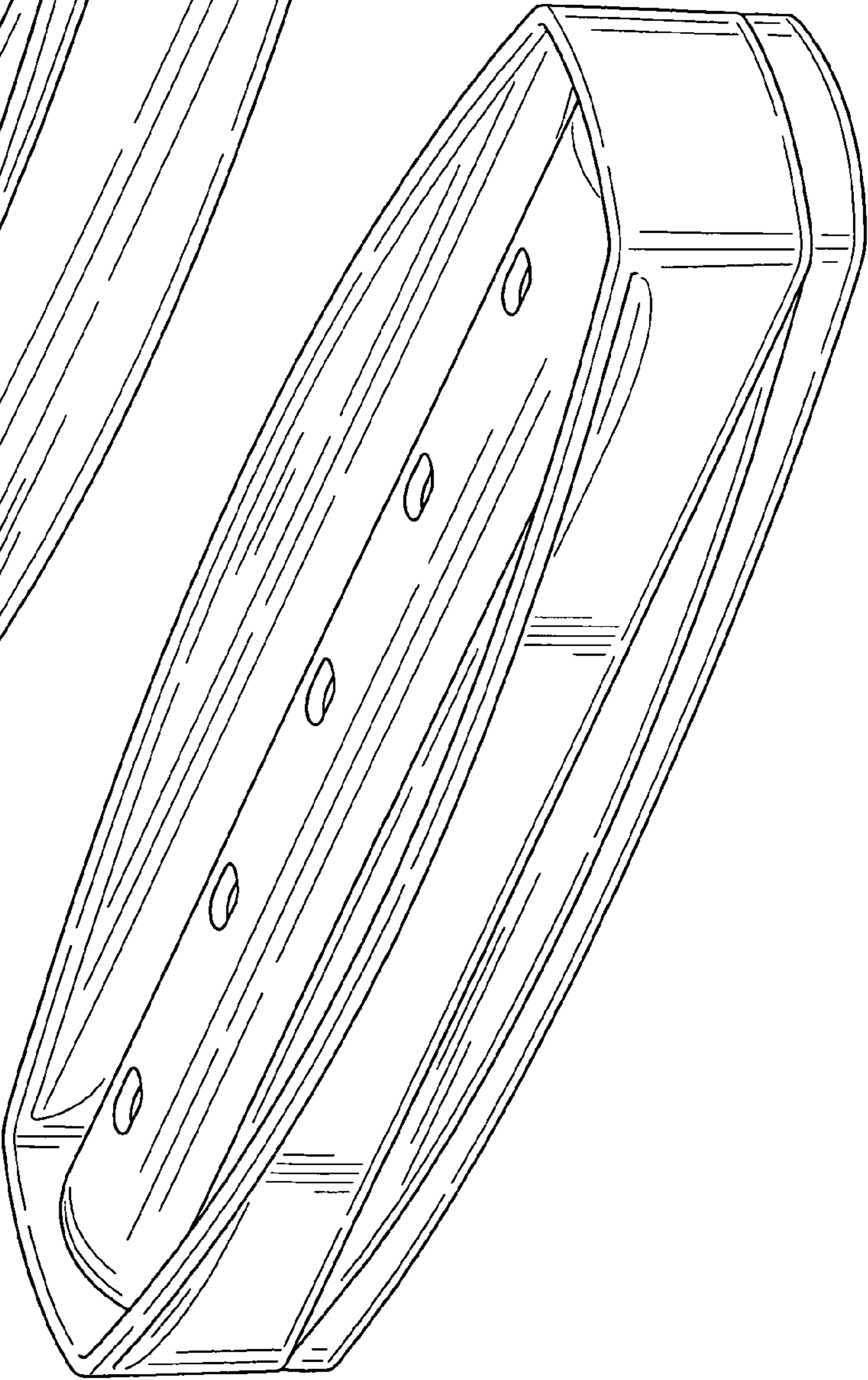


FIG. 2

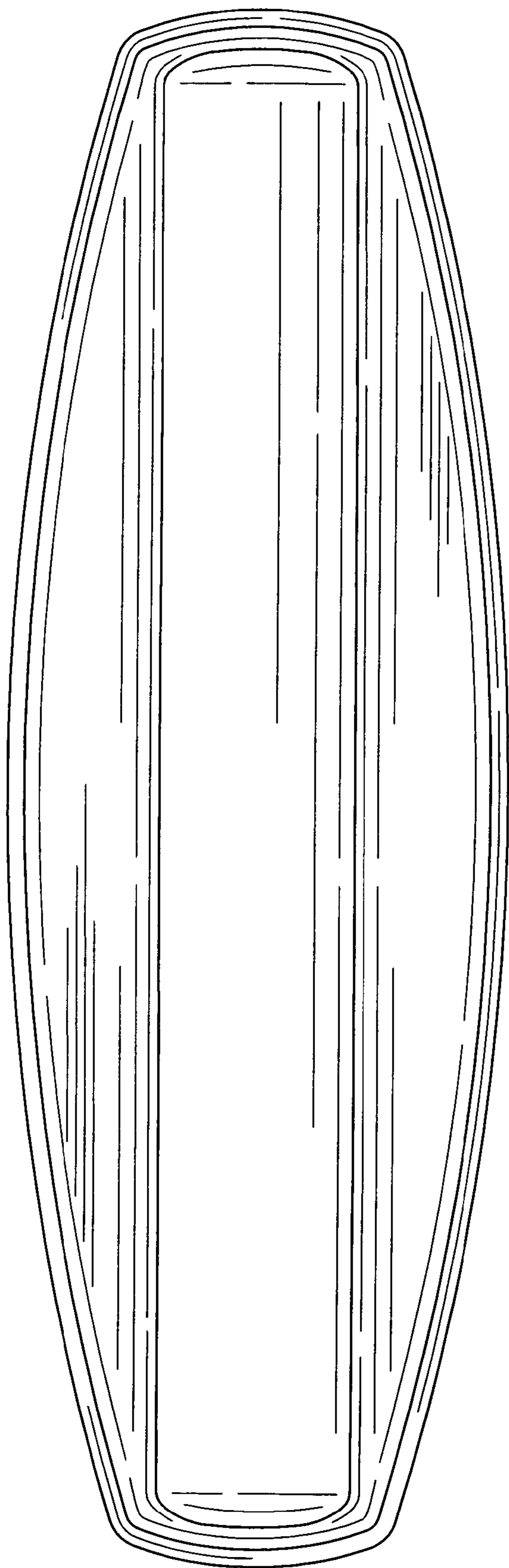


FIG. 3

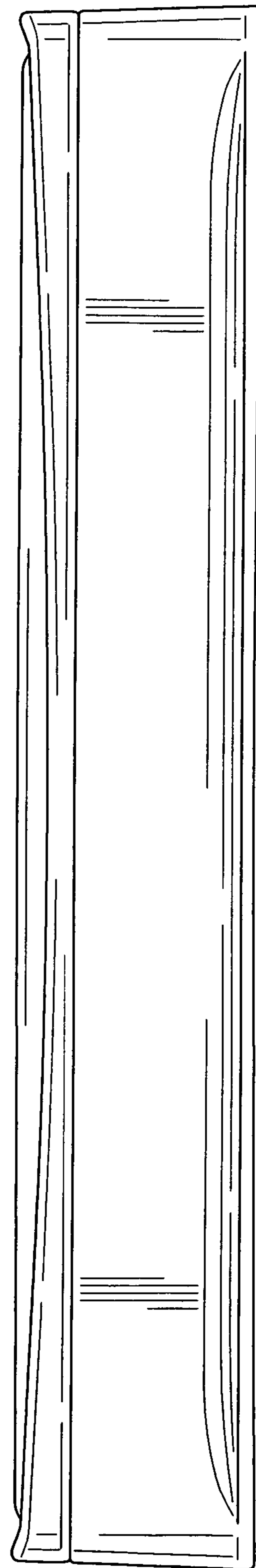


FIG. 5

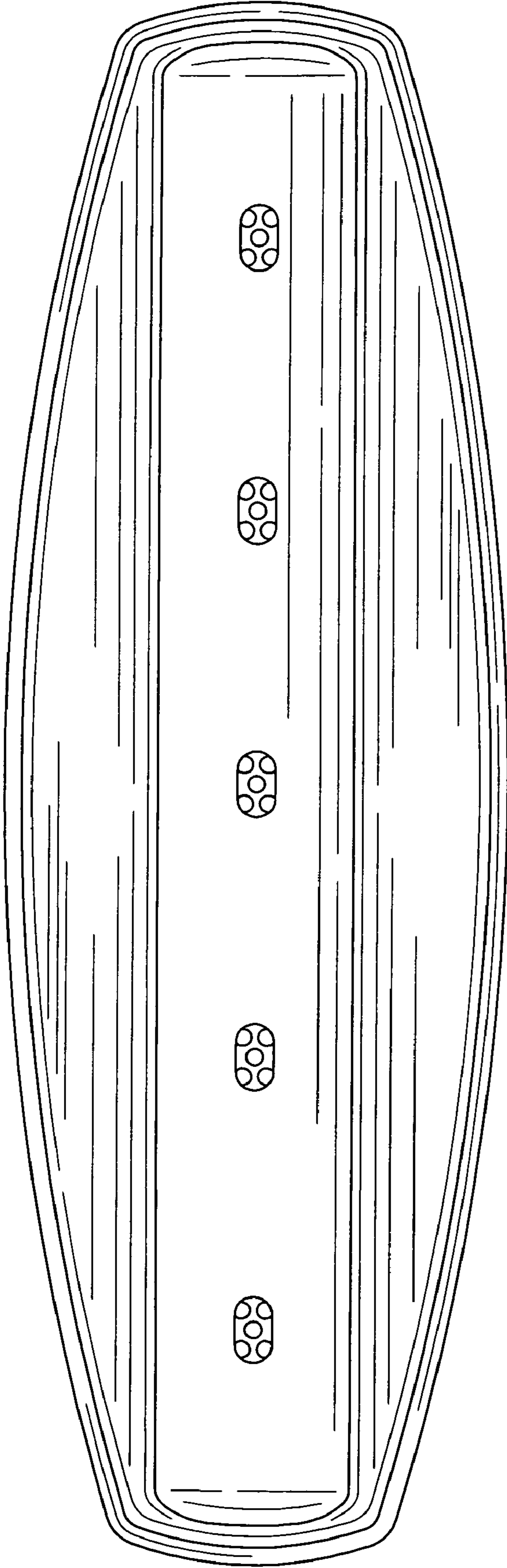


FIG. 4

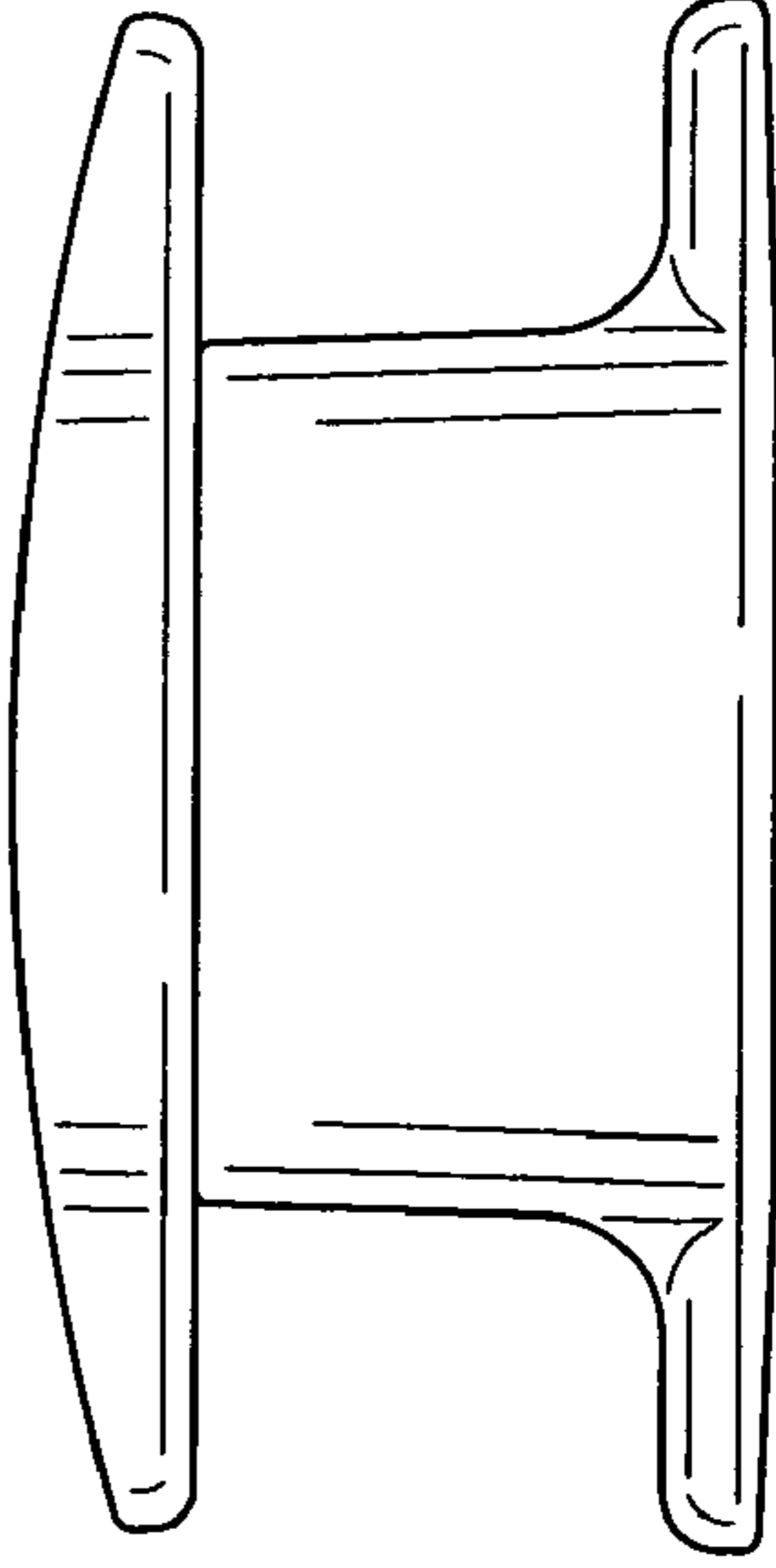


FIG. 6

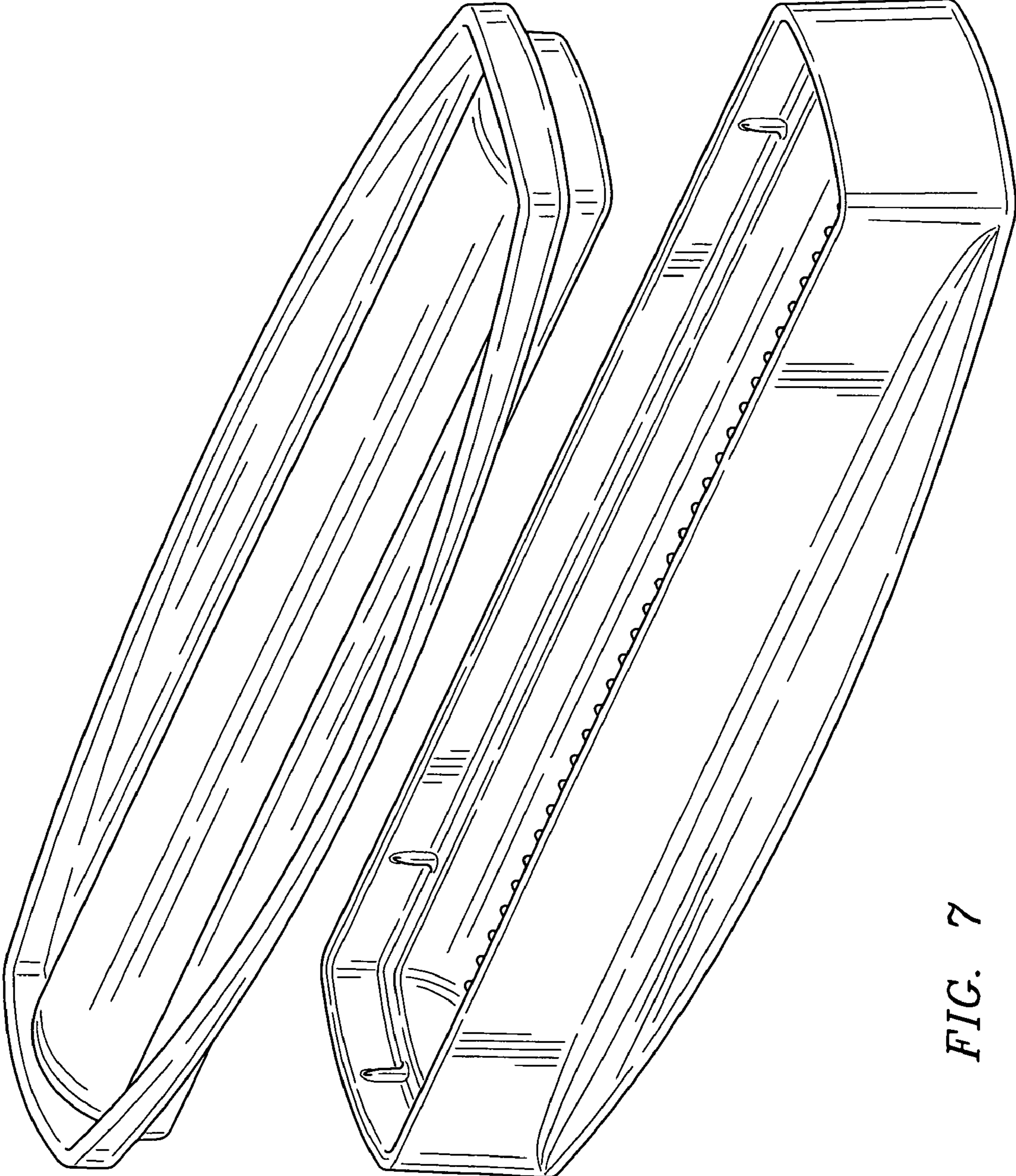


FIG. 7