



US00D651448S

(12) **United States Design Patent**
Moon et al.

(10) **Patent No.:** **US D651,448 S**
(45) **Date of Patent:** **** Jan. 3, 2012**

(54) **COOKTOP**

(75) Inventors: **Jung S. Moon**, Buffalo Grove, IL (US);
Mikale K. Kwon, Glenview, IL (US);
Byong G. Choi, Vernon Hills, IL (US)

(73) Assignee: **IBC-Hearthware, Inc.**, Libertyville, IL (US)

(**) Term: **14 Years**

(21) Appl. No.: **29/393,200**

(22) Filed: **Jun. 1, 2011**

(51) **LOC (9) Cl.** **07-02**

(52) **U.S. Cl.** **D7/367; D7/352**

(58) **Field of Classification Search** D7/323,
D7/328-332, 334-341, 347-348, 350.1, 351-364,
D7/402, 674; 99/324-325, 331, 339-340,
99/349, 353, 358, 369, 372-377, 380-389,
99/392, 425, 444; 219/386, 450.1, 521-525,
219/620-622, 732-734; 425/293, 346; 426/549
See application file for complete search history.

(56) **References Cited**

U.S. PATENT DOCUMENTS

D97,879 S *	12/1935	Worthington et al.	D7/352
D155,422 S *	10/1949	Henderson	D7/674
D206,606 S *	1/1967	Brown	D7/674
D309,844 S *	8/1990	Storsberg	D7/352
D334,108 S *	3/1993	Fisher	D7/323
D347,548 S *	6/1994	Boehm et al.	D7/352
5,363,748 A *	11/1994	Boehm et al.	99/372
D411,937 S *	7/1999	Siegler et al.	D7/352
D413,760 S *	9/1999	Tsai et al.	D7/352
D419,823 S *	2/2000	Choi	D7/352
D463,950 S *	10/2002	Wu	D7/352
D464,230 S *	10/2002	Wu	D7/352
D467,766 S *	12/2002	Wanat et al.	D7/352
D504,047 S *	4/2005	Schmidt et al.	D7/352
D519,776 S *	5/2006	Chen	D7/352

D522,306 S *	6/2006	Wilgus et al.	D7/337
D533,392 S *	12/2006	Yeung	D7/352
D543,410 S *	5/2007	Cohen et al.	D7/352
D575,576 S *	8/2008	Chao	D7/352
7,752,958 B2 *	7/2010	Cohen et al.	99/375
D638,260 S *	5/2011	Lin	D7/402
D642,420 S *	8/2011	Lavy et al.	D7/352
D643,673 S *	8/2011	Lavy et al.	D7/352
D643,676 S *	8/2011	Lavy et al.	D7/364
D643,677 S *	8/2011	Lavy et al.	D7/364
D643,678 S *	8/2011	Lavy et al.	D7/364

* cited by examiner

Primary Examiner — Ricky Pham

(74) *Attorney, Agent, or Firm* — Albrecht Tousi & Farnum PLLC; Ralph P. Albrecht; Cameron H. Tousi

(57) **CLAIM**

We claim the ornamental design for a cooktop, as shown and described.

DESCRIPTION

FIG. 1 is an isometric perspective top view of a cooktop according to a first exemplary embodiment of the present invention;

FIG. 2 is a front side orthographic view of the cooktop according to a first embodiment of the present invention;

FIG. 3 is a back side orthographic view of the cooktop according to a first embodiment of the present invention;

FIG. 4 is a left side orthographic view of the cooktop according to a first embodiment of the present invention;

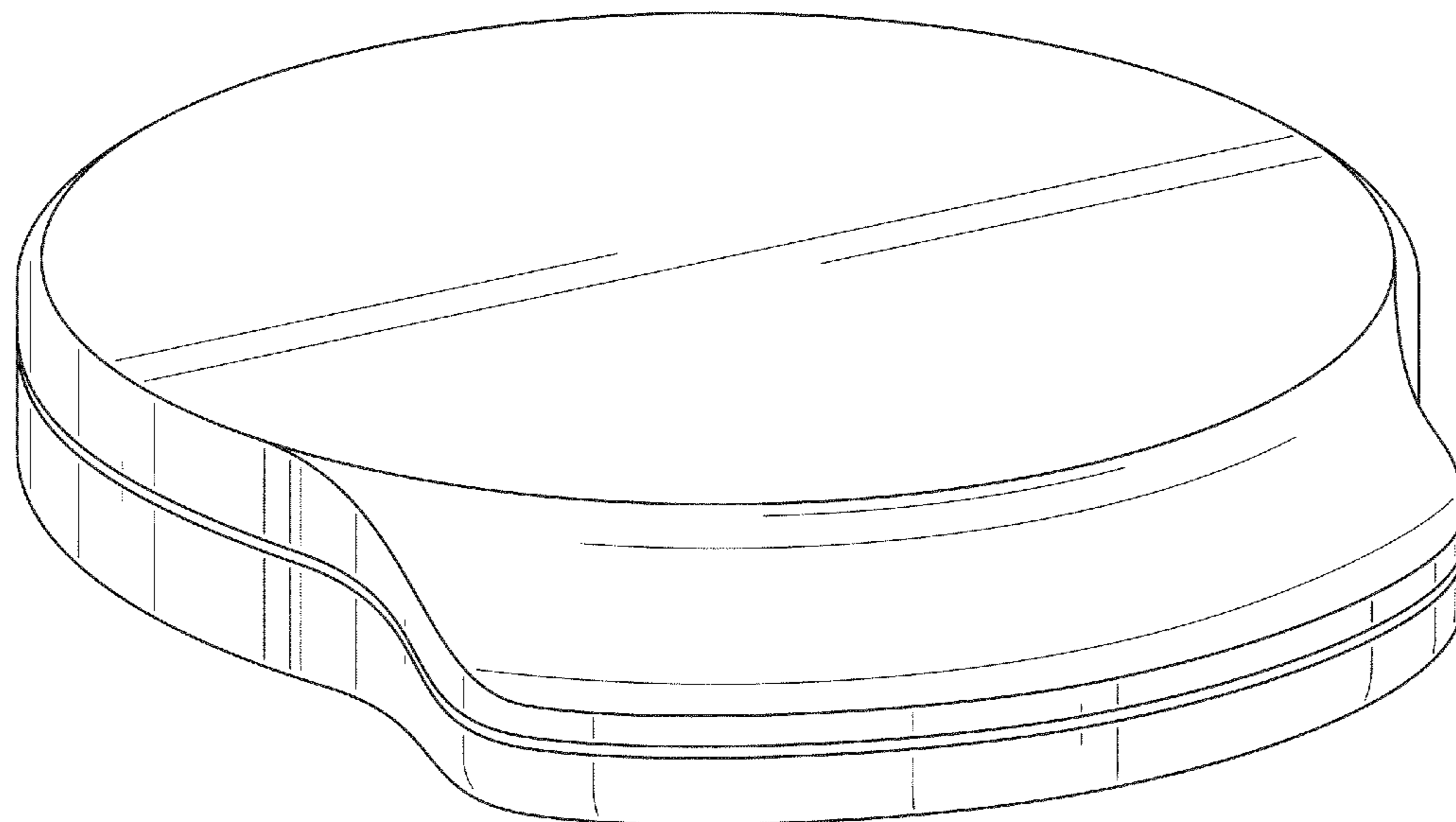
FIG. 5 is a right side orthographic view of the cooktop according to a first embodiment of the present invention;

FIG. 6 is a top orthographic view of the cooktop shown according to a first embodiment of the present invention; and,

FIG. 7 is a bottom orthographic view of the cooktop according to a first embodiment of the present invention.

The broken lines shown in the drawings are for illustrative purposes only and form no part of the claimed design.

1 Claim, 5 Drawing Sheets



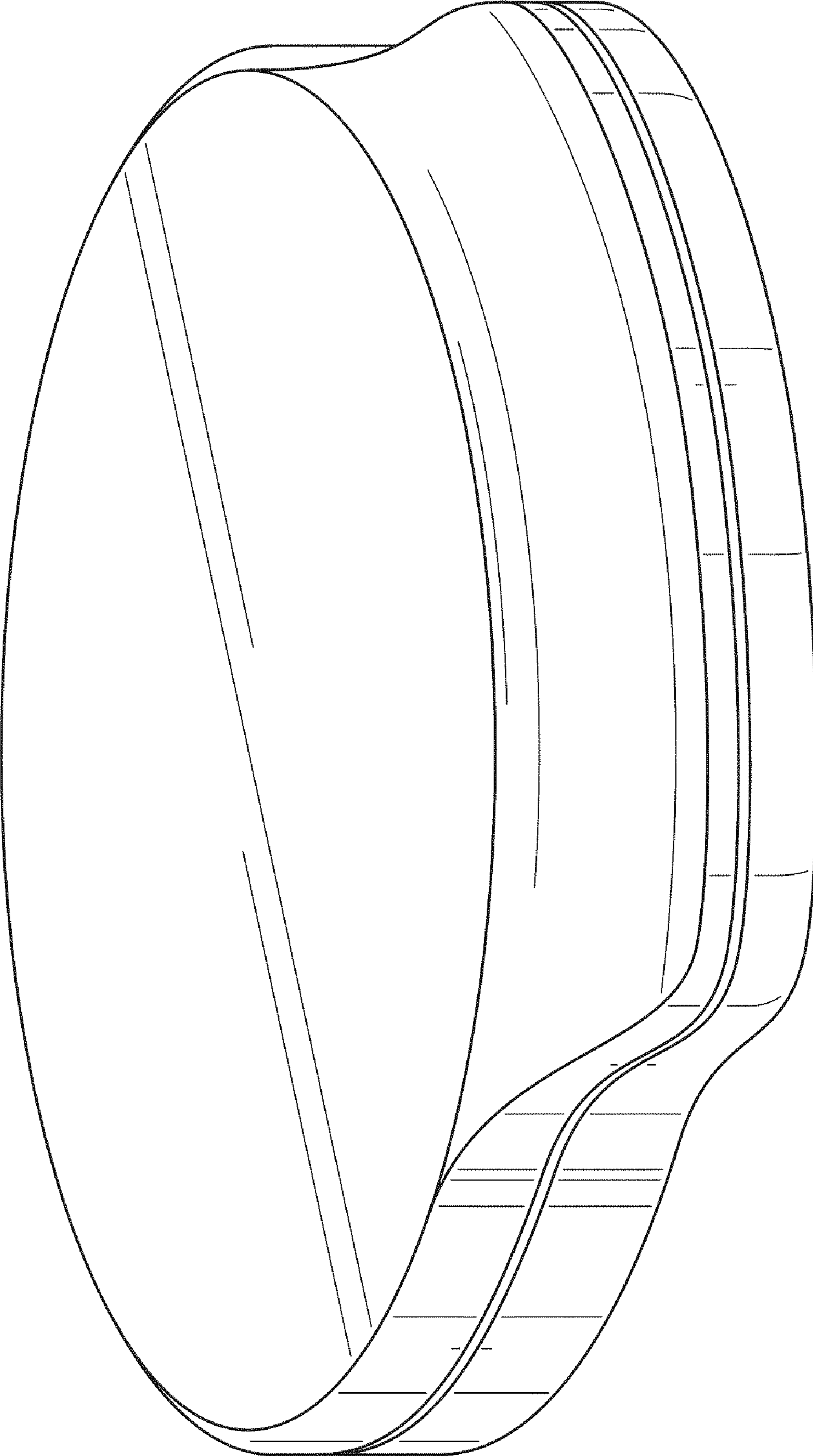


FIG. 1

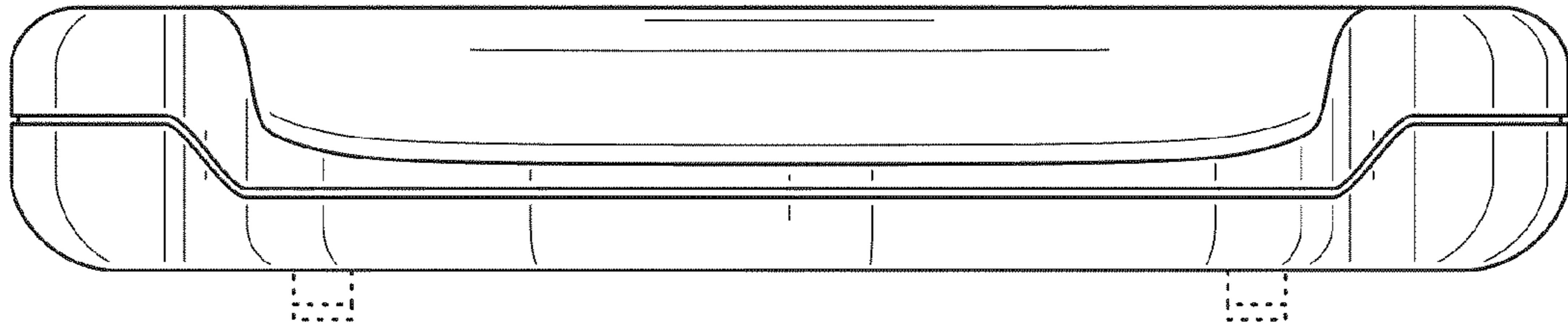


FIG. 2

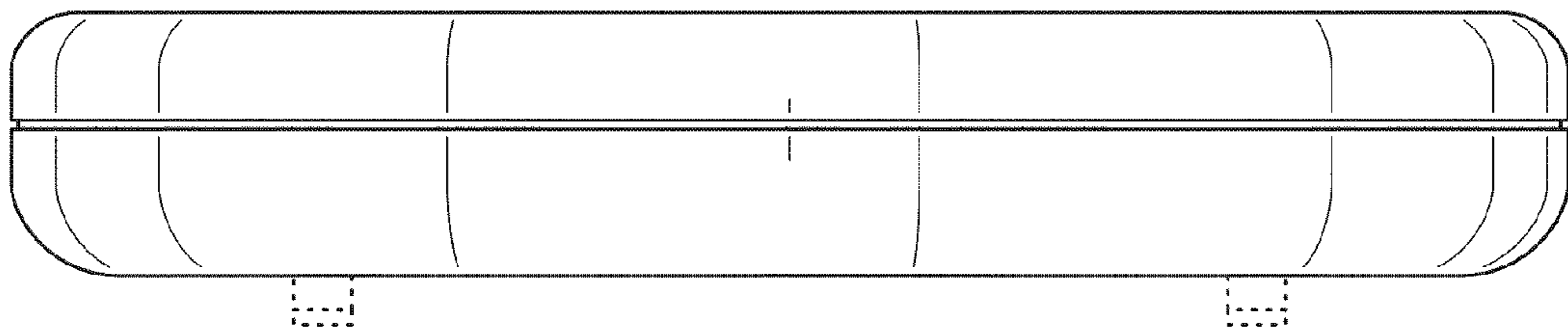


FIG. 3

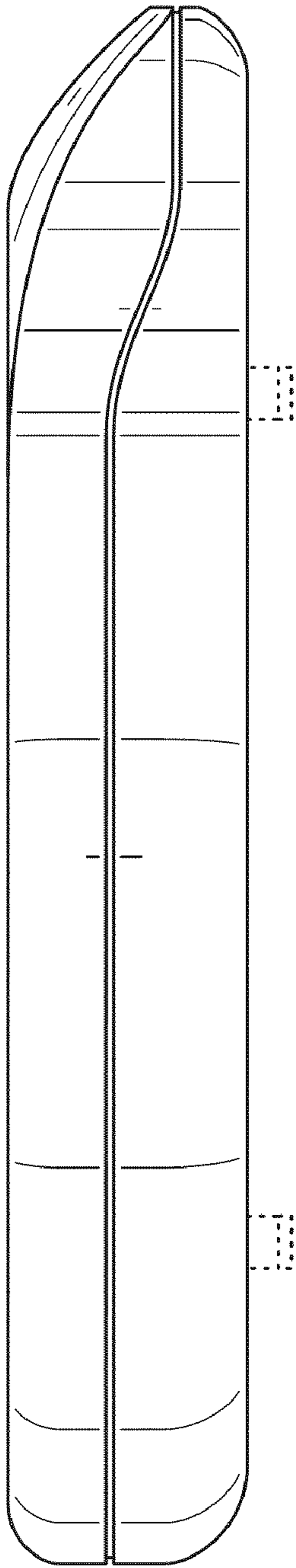


FIG. 4

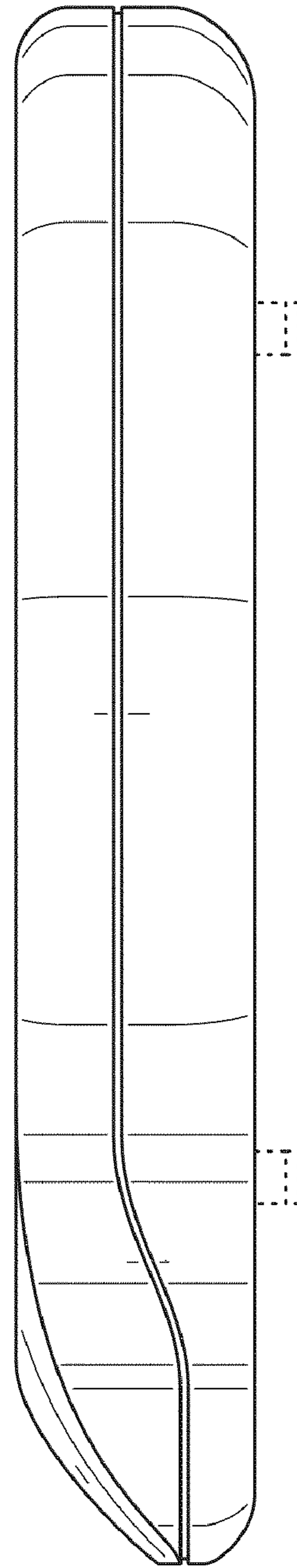


FIG. 5

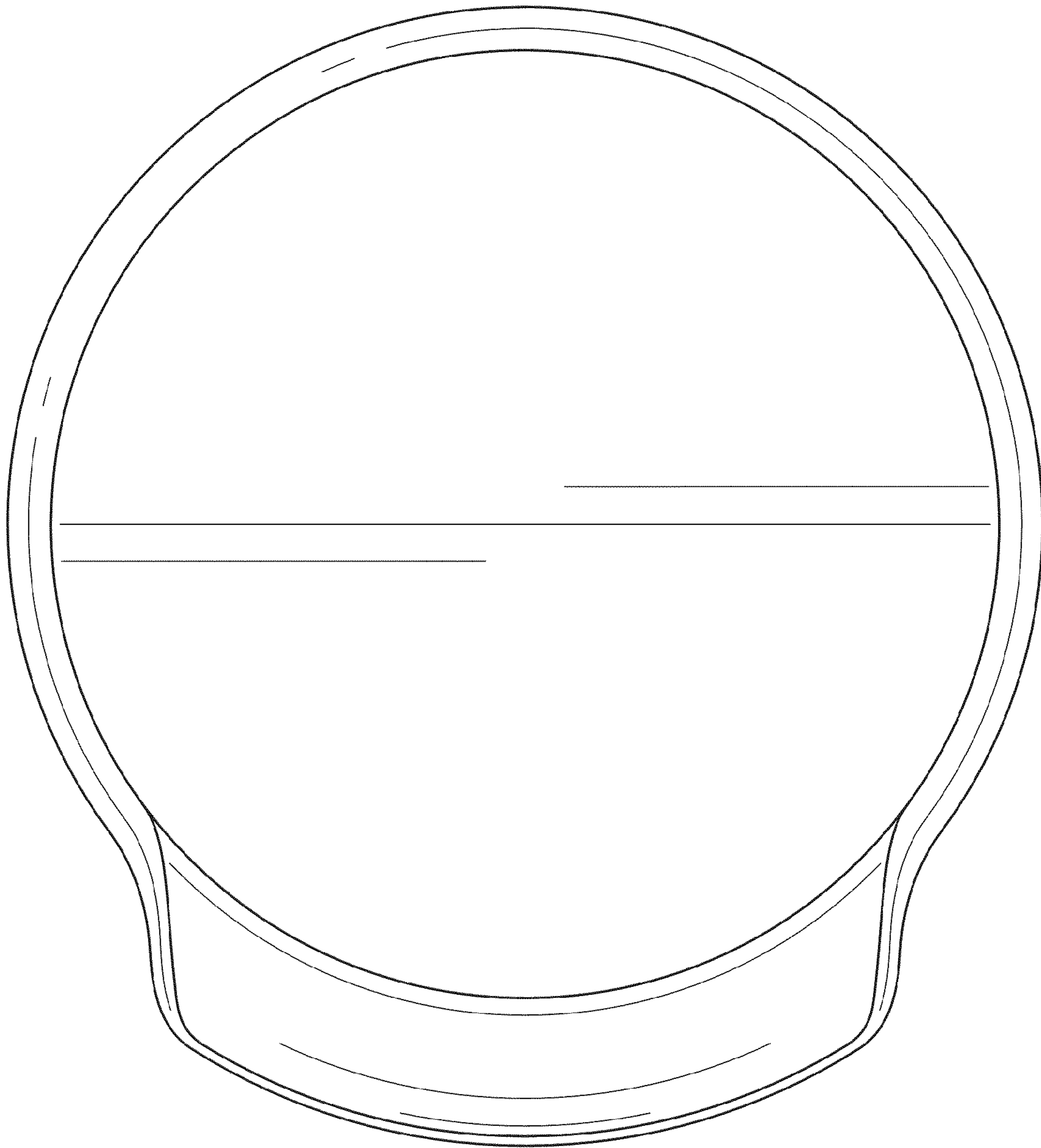


FIG. 6

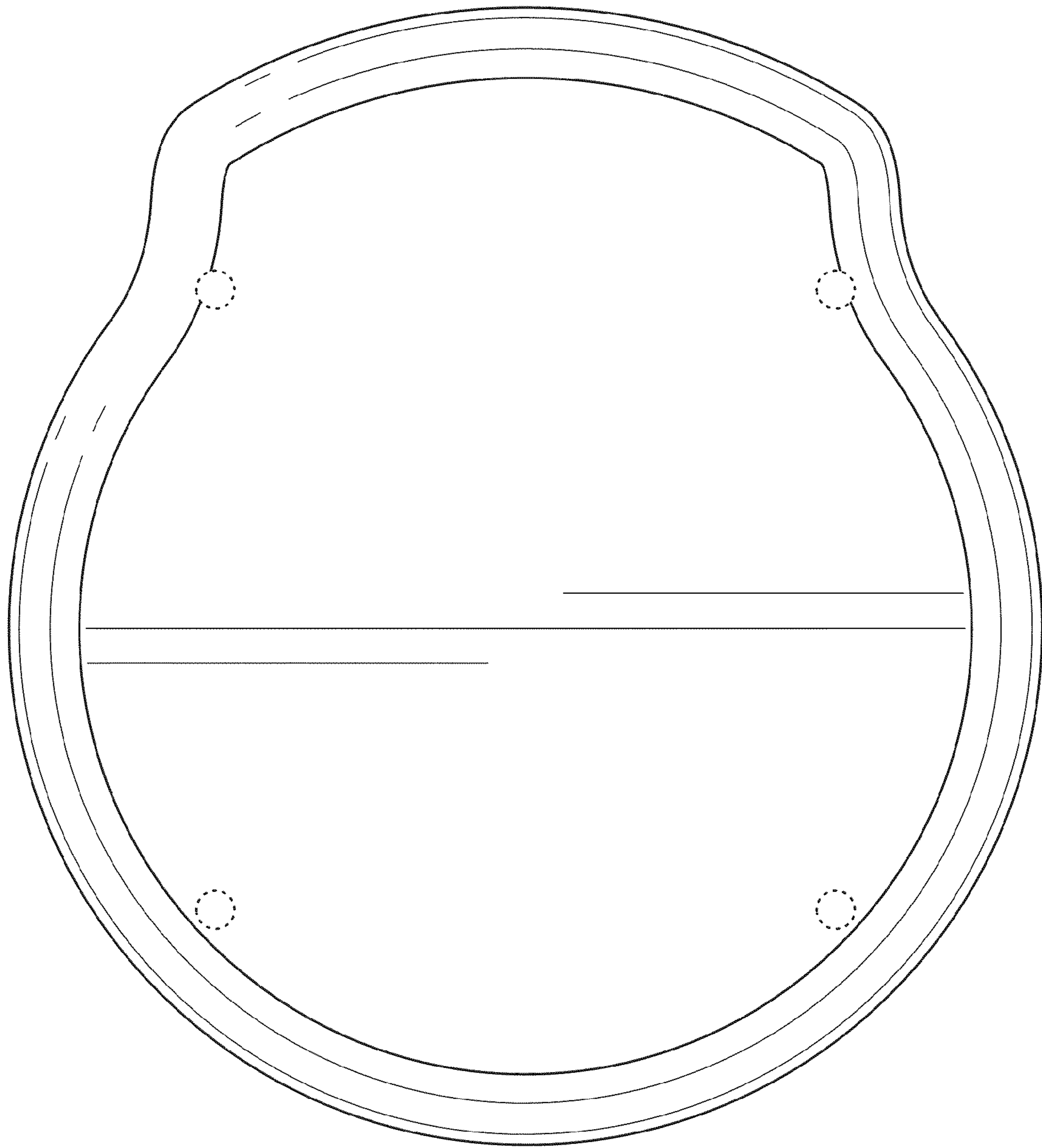


FIG. 7