



US00D651446S

(12) **United States Design Patent**  
**Sheppard et al.**

(10) **Patent No.:** **US D651,446 S**  
(45) **Date of Patent:** **\*\* Jan. 3, 2012**

(54) **PITCHER**

(75) Inventors: **Nasahn Adam Sheppard**, Mill Valley, CA (US); **Dominik Heinz Langhammer**, San Francisco, CA (US); **Tim Foster Wallack**, New York, NY (US)

(73) Assignee: **The Procter & Gamble Company**, Cincinnati, OH (US)

(\*\*) Term: **14 Years**

(21) Appl. No.: **29/367,127**

(22) Filed: **Aug. 3, 2010**

**Related U.S. Application Data**

(62) Division of application No. 29/334,107, filed on Mar. 20, 2009, now Pat. No. Des. 623,465.

(51) **LOC (9) Cl.** ..... **07-01**

(52) **U.S. Cl.** ..... **D7/318; D7/317**

(58) **Field of Classification Search** ..... D7/300, D7/316-319, 598, 600; 222/131, 472; 215/12.1; 220/592.16  
See application file for complete search history.

(56) **References Cited**

**U.S. PATENT DOCUMENTS**

D124,880 S	1/1941	Tuenisz	
D139,381 S	11/1944	Harris	
2,612,765 A	10/1952	Gorey	
D173,455 S *	11/1954	Reinecke et al.	D7/317
2,784,684 A *	3/1957	MacLean	249/96
2,805,561 A *	9/1957	Emmert et al.	222/131
D187,612 S *	4/1960	Wistrand	D7/317
D189,374 S	11/1960	Harris	
D199,994 S	1/1965	Knodt	
3,263,871 A	8/1966	Thompson	
D223,437 S	4/1972	Lluch	
D240,887 S	8/1976	Daenen	

D263,807 S	4/1982	Kingsford	
D272,704 S *	2/1984	Smith	D10/46.2
D316,206 S	4/1991	Daenen et al.	
D317,547 S *	6/1991	Gecchelin	D7/317
D335,608 S *	5/1993	Arnold	D7/317
D386,041 S *	11/1997	Tanner et al.	D7/319
D388,655 S *	1/1998	Flom et al.	D7/319
D406,003 S *	2/1999	Tanner et al.	D7/319
D419,027 S *	1/2000	Haslem et al.	D7/319
D419,719 S	1/2000	Garcia	
D439,790 S *	4/2001	Matsushita et al.	D7/319
6,224,253 B1	5/2001	Dixon	
6,231,266 B1 *	5/2001	Gott	403/338
D458,081 S	6/2002	Bodum	
D471,767 S	3/2003	Ucar Cortes et al.	
D472,147 S	3/2003	Herrmann	
D480,272 S	10/2003	Yang	
D524,087 S *	7/2006	Ali	D7/317
D542,077 S *	5/2007	Claypool et al.	D7/318
D546,697 S	7/2007	Schnipper et al.	
D553,438 S	10/2007	Boehm	
D555,416 S	11/2007	Bodum	

(Continued)

*Primary Examiner* — Marianne Pandozzi

(74) *Attorney, Agent, or Firm* — Amanda T. Barry; Cynthia L. Clay

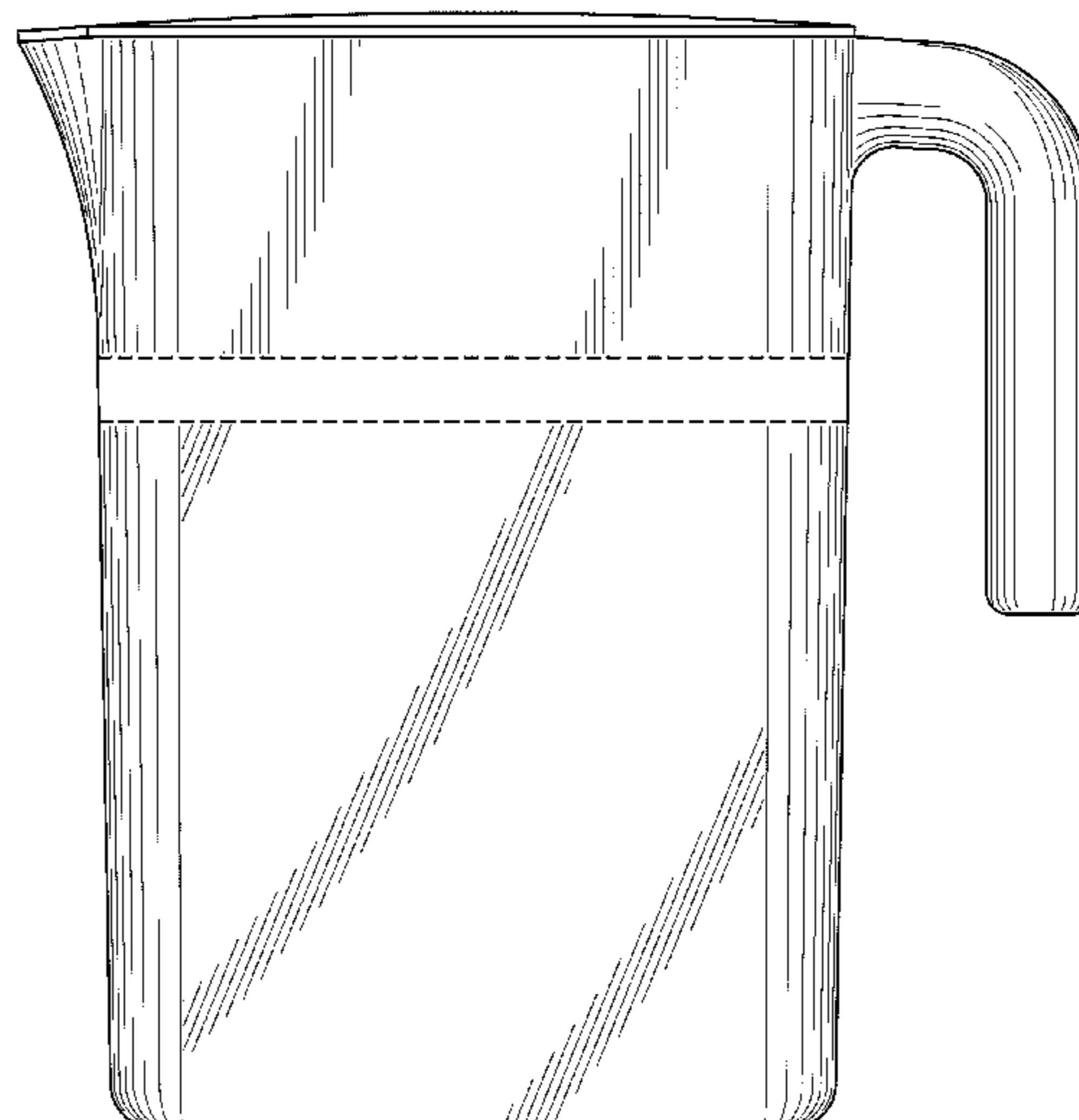
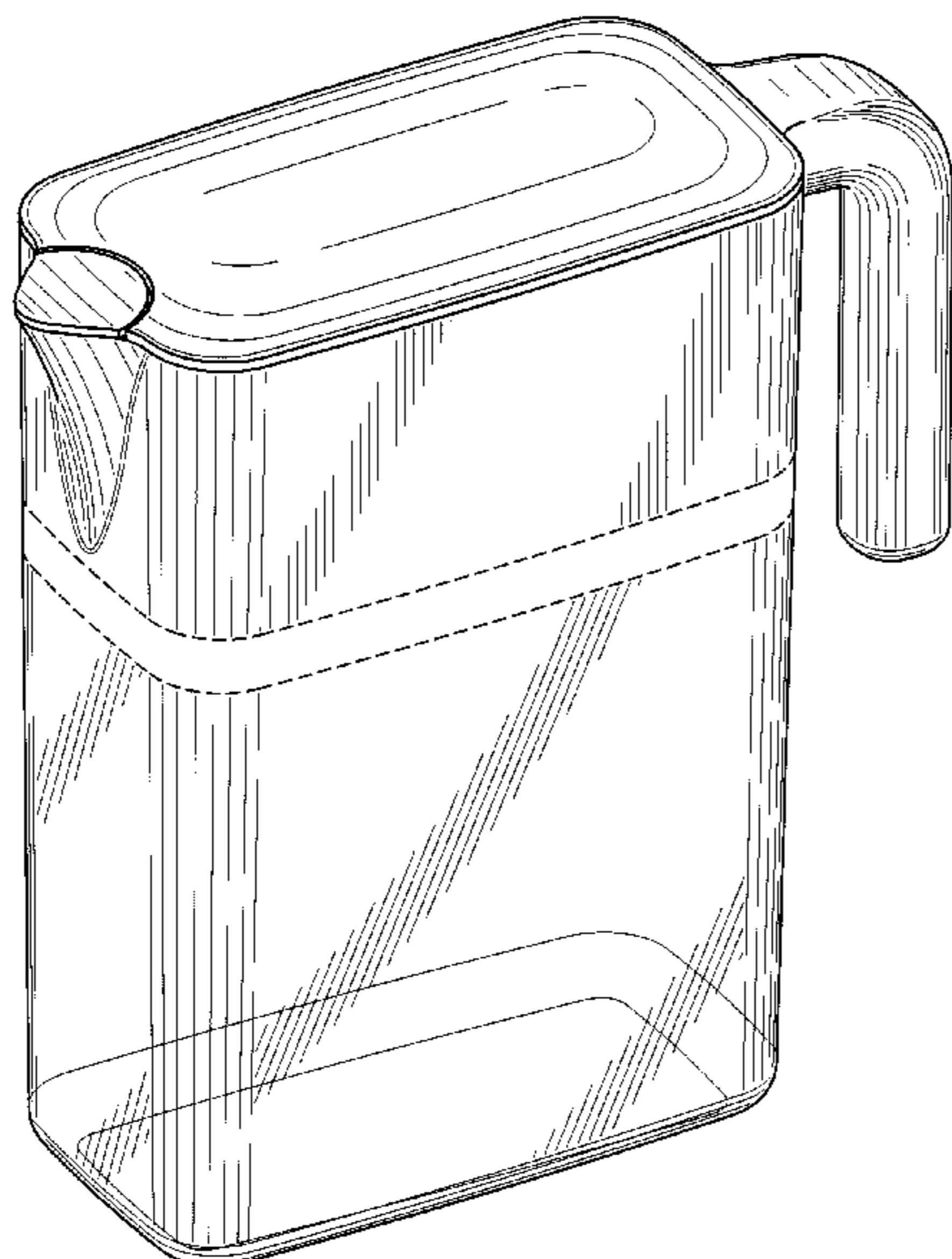
(57) **CLAIM**

The ornamental design for a pitcher, as shown and described.

**DESCRIPTION**

FIG. 1 is a perspective view of a pitcher illustrating our new design;  
FIG. 2 is a side view of the design of FIG. 1;  
FIG. 3 is a front view of the design of FIG. 1;  
FIG. 4 is a rear view of the design of FIG. 1;  
FIG. 5 is a top view of the design of FIG. 1; and,  
FIG. 6 is a bottom view of the design of FIG. 1.  
The broken lines represent portions of the structure that form no part of the claim.

**1 Claim, 5 Drawing Sheets**



# US D651,446 S

Page 2

---

## U.S. PATENT DOCUMENTS

D564,840 S	3/2008	Williams		
D564,841 S	3/2008	Clemens et al.		
D571,154 S	6/2008	Pearson		
D573,845 S *	7/2008	Yang et al. ....	D7/612	
D574,924 S *	8/2008	Horiuchi et al. ....	D23/209	
7,438,799 B2 *	10/2008	Vandenbelt et al. ....	210/85	
D587,060 S	2/2009	Chung		
D593,365 S	6/2009	Miller et al.		
D598,234 S	8/2009	Bodum		
D599,168 S	9/2009	Alviar et al.		
D602,731 S *	10/2009	Mankowitz .....	D7/319	
D604,088 S *	11/2009	Bursztein .....	D7/319	
D636,627 S *	4/2011	Harris et al. ....	D7/319	

\* cited by examiner

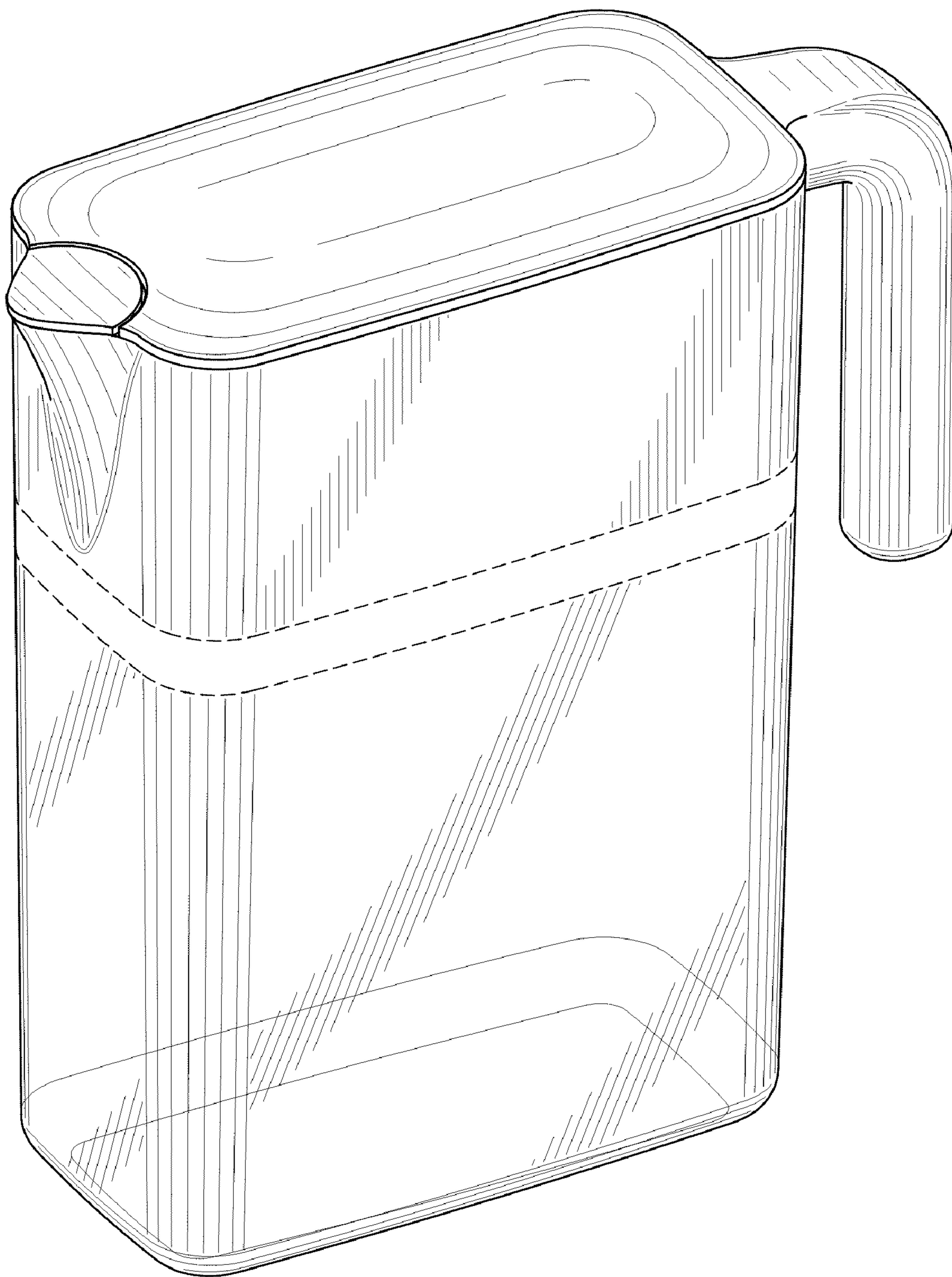


FIG. 1

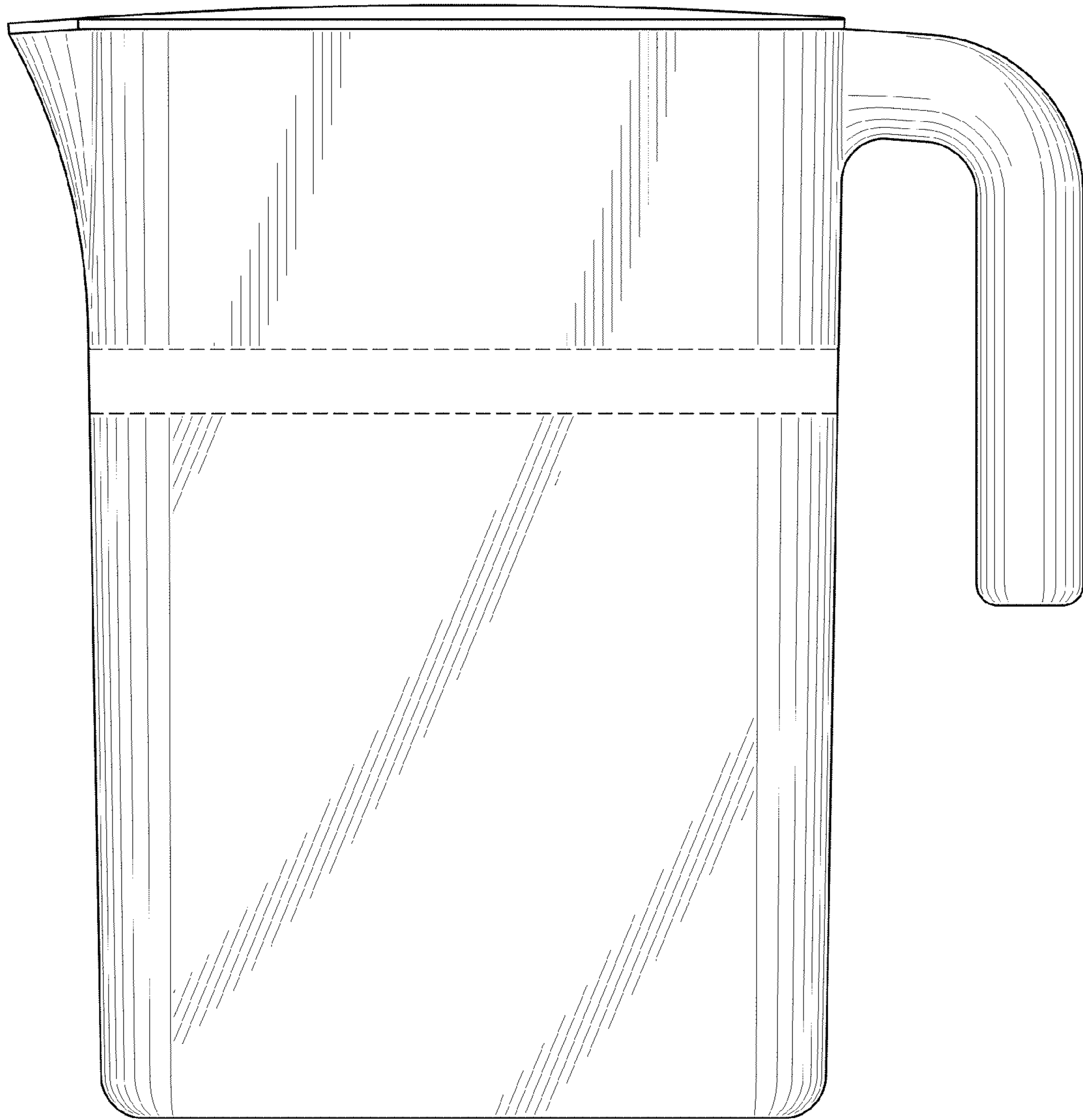


FIG. 2

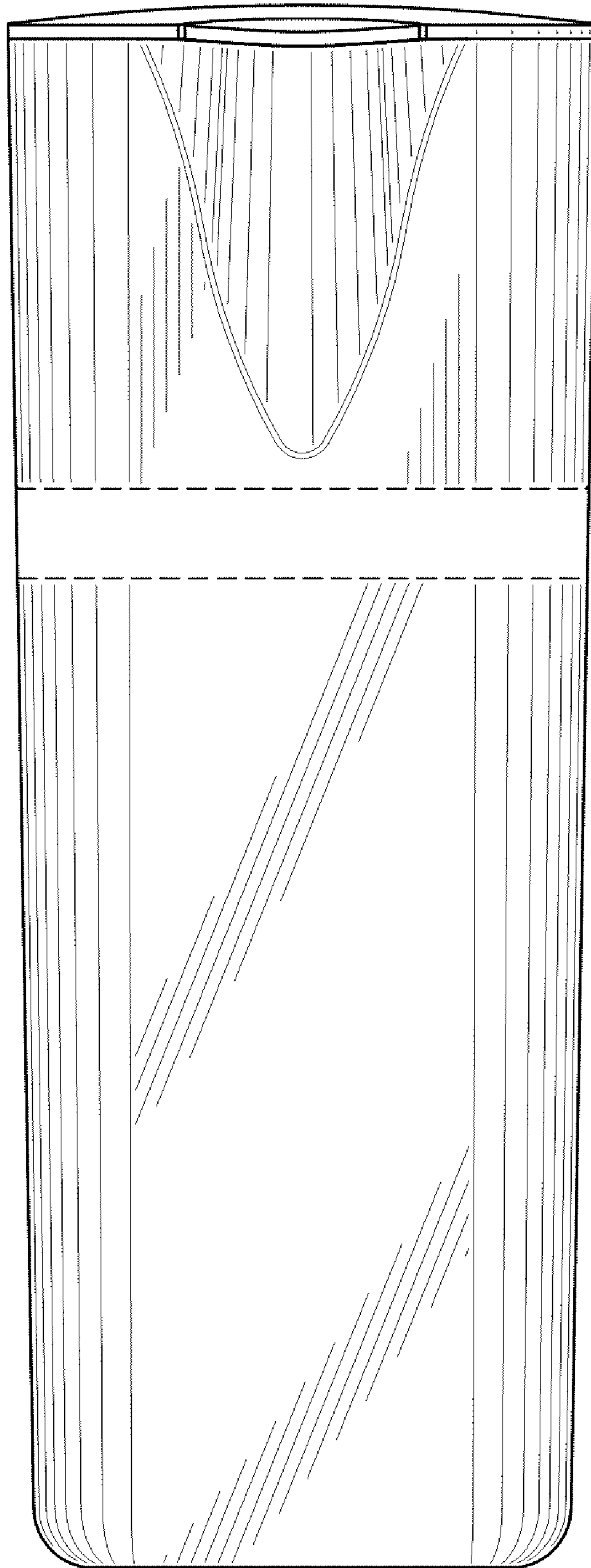


FIG. 3

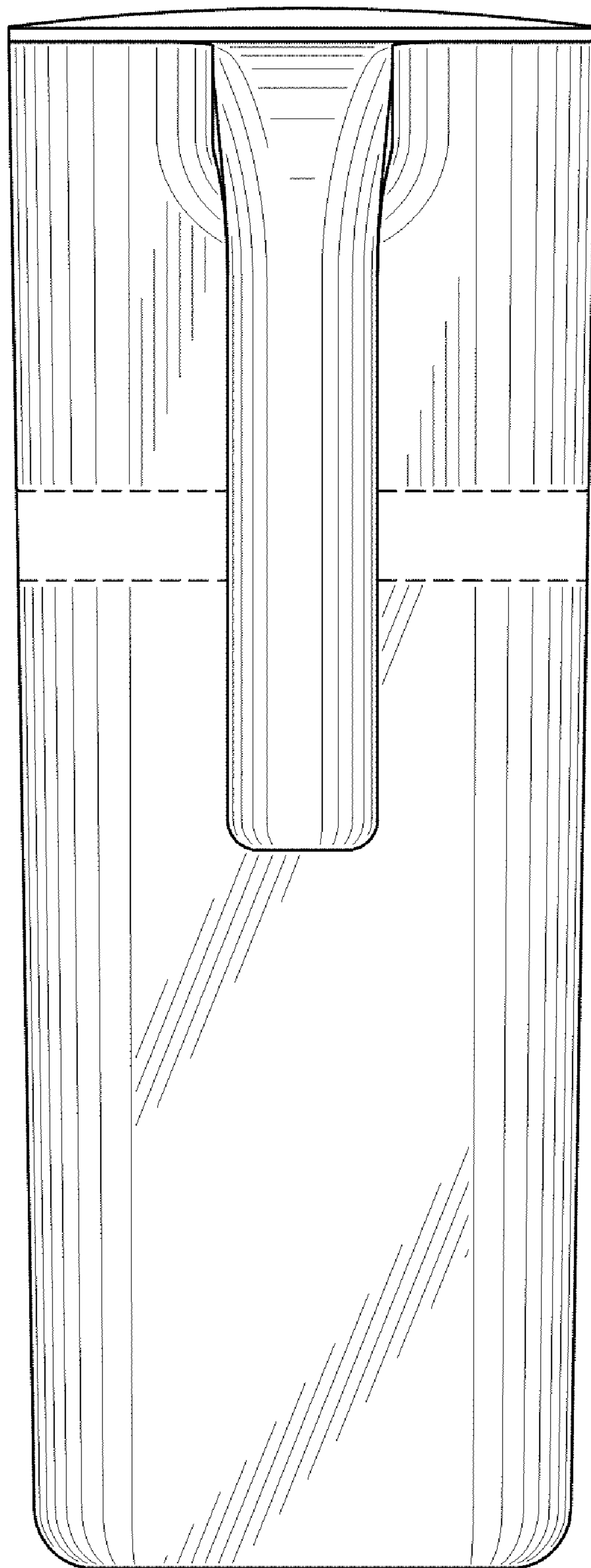


FIG. 4

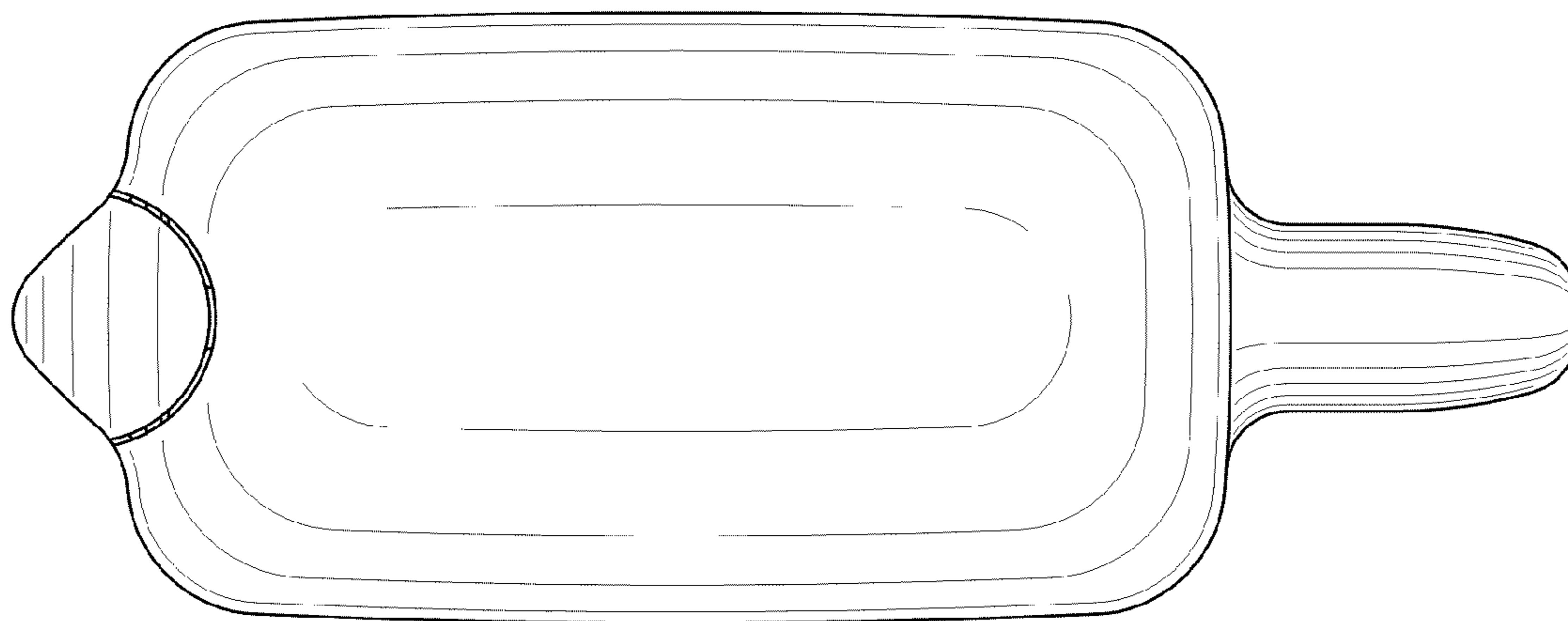


FIG. 5

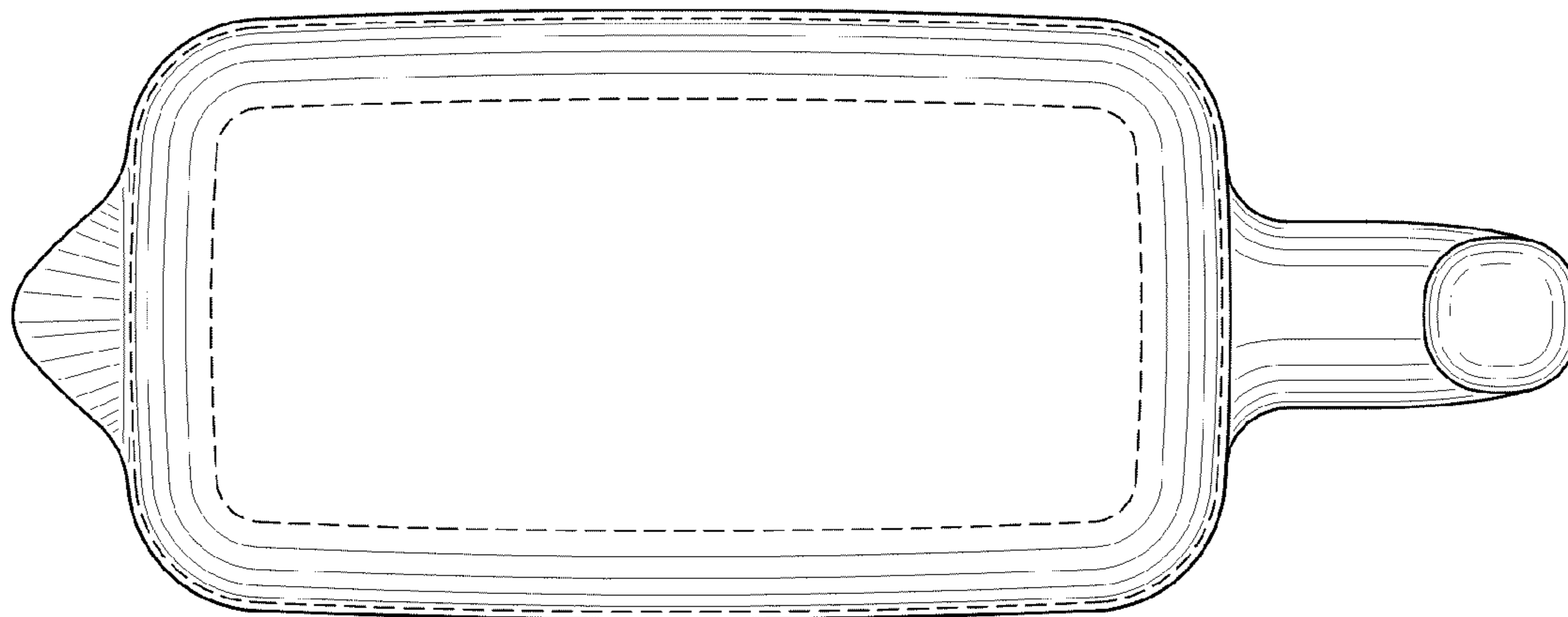


FIG. 6