



US00D651439S

(12) **United States Design Patent**  
**Yeager**

(10) **Patent No.:** **US D651,439 S**

(45) **Date of Patent:** **\*\* Jan. 3, 2012**

(54) **PROTECTIVE MAT**

(76) Inventor: **Tonya M. Yeager**, Oceanside, CA (US)

(\*\*) Term: **14 Years**

(21) Appl. No.: **29/364,553**

(22) Filed: **Jun. 24, 2010**

(51) **LOC (9) Cl.** ..... **06-11**

(52) **U.S. Cl.** ..... **D6/582**

(58) **Field of Classification Search** ..... D5/1, 2,  
D5/9, 11, 12, 43, 47, 50, 54, 56, 59; D6/582,  
D6/583, 585, 586, 592, 594, 605; D9/707,  
D9/713; D12/203; 4/581, 582; 5/420; 15/215;  
52/660; 66/169 R; 428/15, 32, 66.5, 112,  
428/187, 221, 542.6

See application file for complete search history.

(56) **References Cited**

**U.S. PATENT DOCUMENTS**

1,222,563	A *	4/1917	Rosenberg	.....	5/419
1,237,243	A *	8/1917	Conner	.....	5/420
D291,586	S *	8/1987	Bourret	.....	D21/686
5,081,727	A *	1/1992	Ippolito	.....	5/419
5,740,566	A *	4/1998	Stacy	.....	5/420
6,061,849	A *	5/2000	Seals	.....	5/417
6,495,238	B1 *	12/2002	Campbell	.....	428/121
6,751,816	B1 *	6/2004	Wechsler	.....	5/417
6,920,655	B2 *	7/2005	Mitchell	.....	5/417
D513,460	S *	1/2006	Lippert et al.	.....	D6/582
2002/0092261	A1 *	7/2002	Rockwell et al.	.....	52/745.05

2004/0088788	A1 *	5/2004	Alane	.....	5/420
2006/0283751	A1 *	12/2006	Rhea	.....	206/494
2008/0229501	A1 *	9/2008	Hutchison	.....	5/420

\* cited by examiner

*Primary Examiner* — Karen S Acker

(74) *Attorney, Agent, or Firm* — QuickPatents, Inc.; Kevin Prince

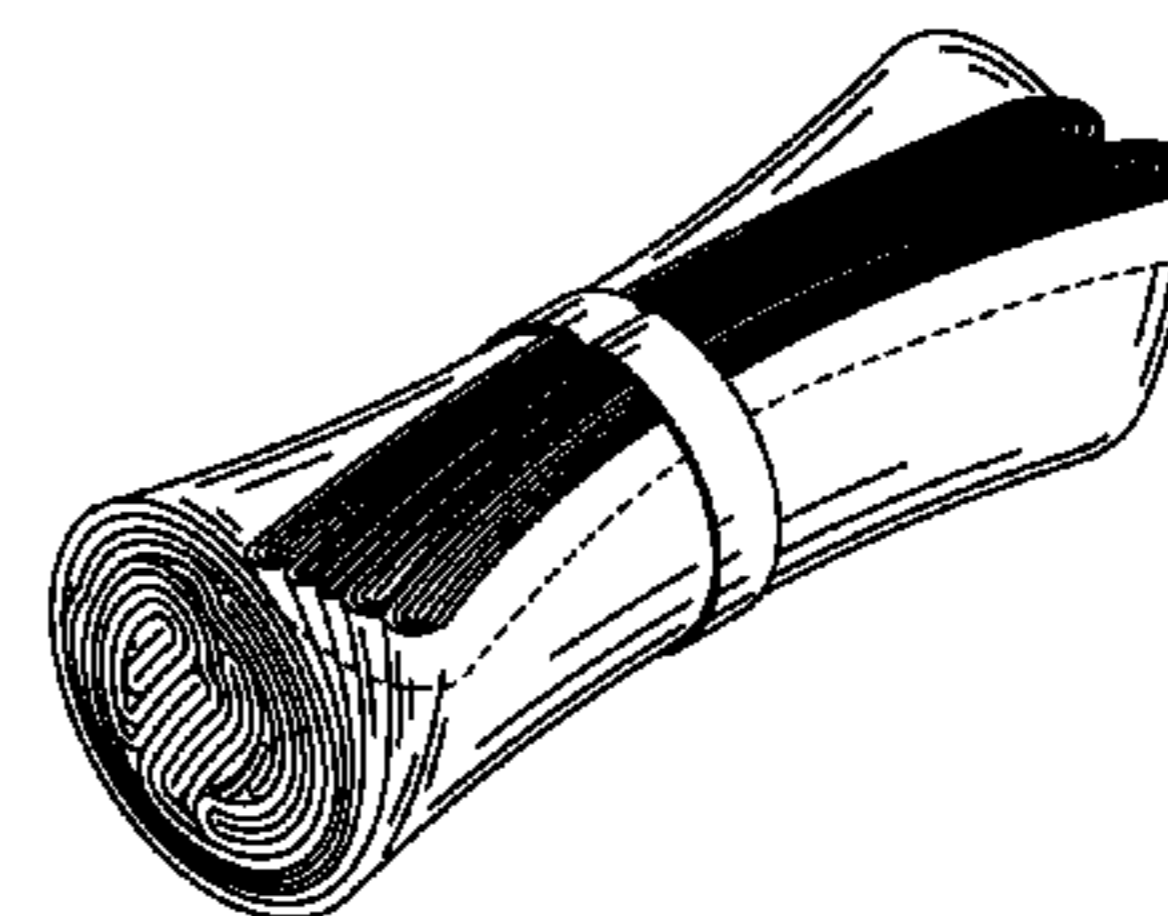
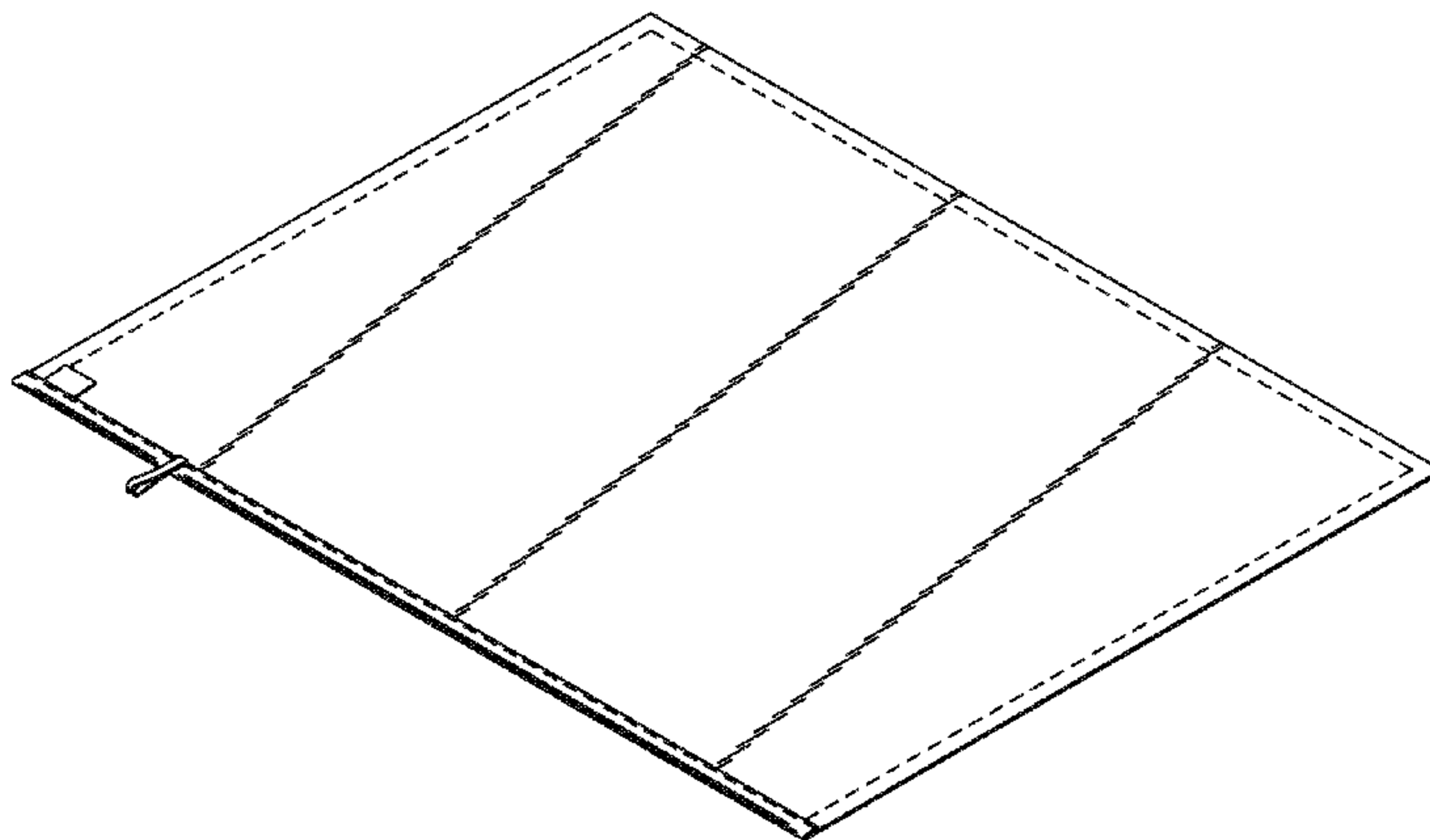
(57) **CLAIM**

What is claimed is the ornamental design for a protective mat, as shown and described.

**DESCRIPTION**

FIG. 1 is a bottom perspective view of a protective mat, showing the new design in a flat configuration;  
 FIG. 2 is a front elevational view thereof;  
 FIG. 3 is a rear elevational view thereof;  
 FIG. 4 is a right-side elevational view thereof;  
 FIG. 5 is a left-side elevational view thereof;  
 FIG. 6 is a top plan view thereof;  
 FIG. 7 is a bottom plan view thereof;  
 FIG. 8 is a perspective view thereof, illustrated in a rolled configuration;  
 FIG. 9 is a right-side elevational view of FIG. 8;  
 FIG. 10 is a left-side elevational view of FIG. 8;  
 FIG. 11 is a rear elevational view of FIG. 8;  
 FIG. 12 is a front elevational view of FIG. 8;  
 FIG. 13 is a top plan view of FIG. 8; and,  
 FIG. 14 is a bottom plan view of FIG. 8.  
 The broken lines in the figures represent stitching.

**1 Claim, 4 Drawing Sheets**



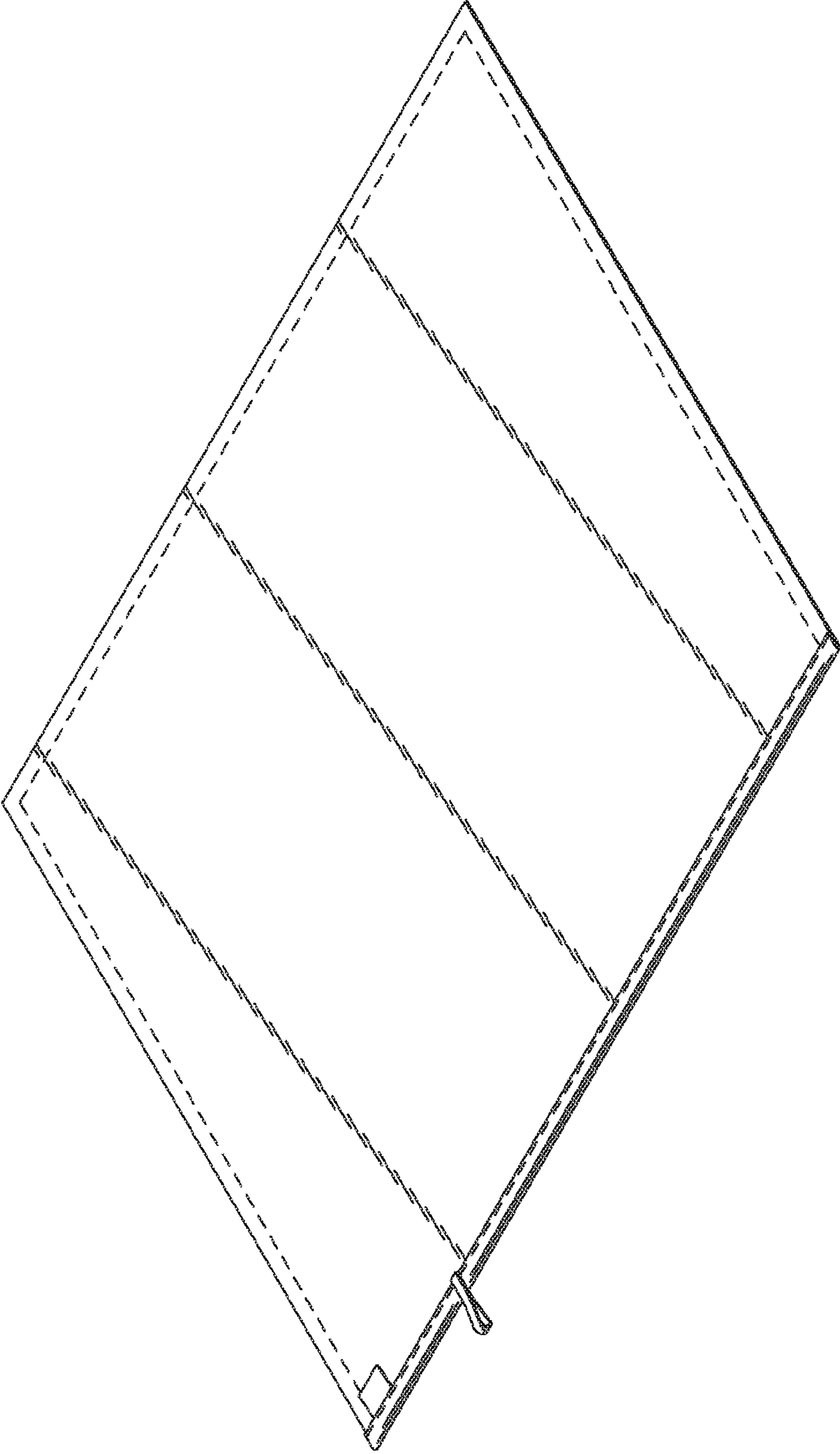


FIG. 1

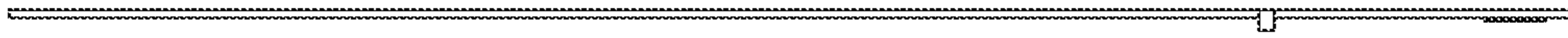


FIG. 2

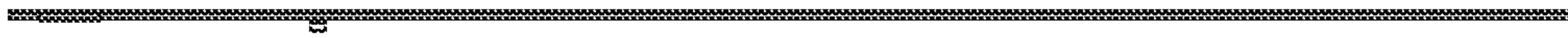


FIG. 3

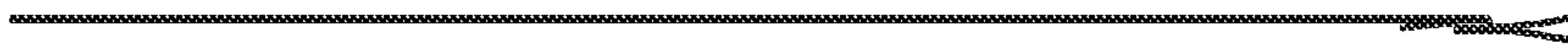


FIG. 4

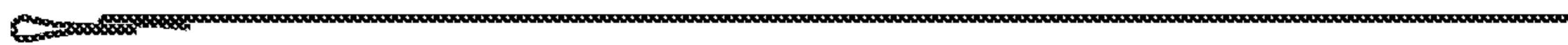


FIG. 5

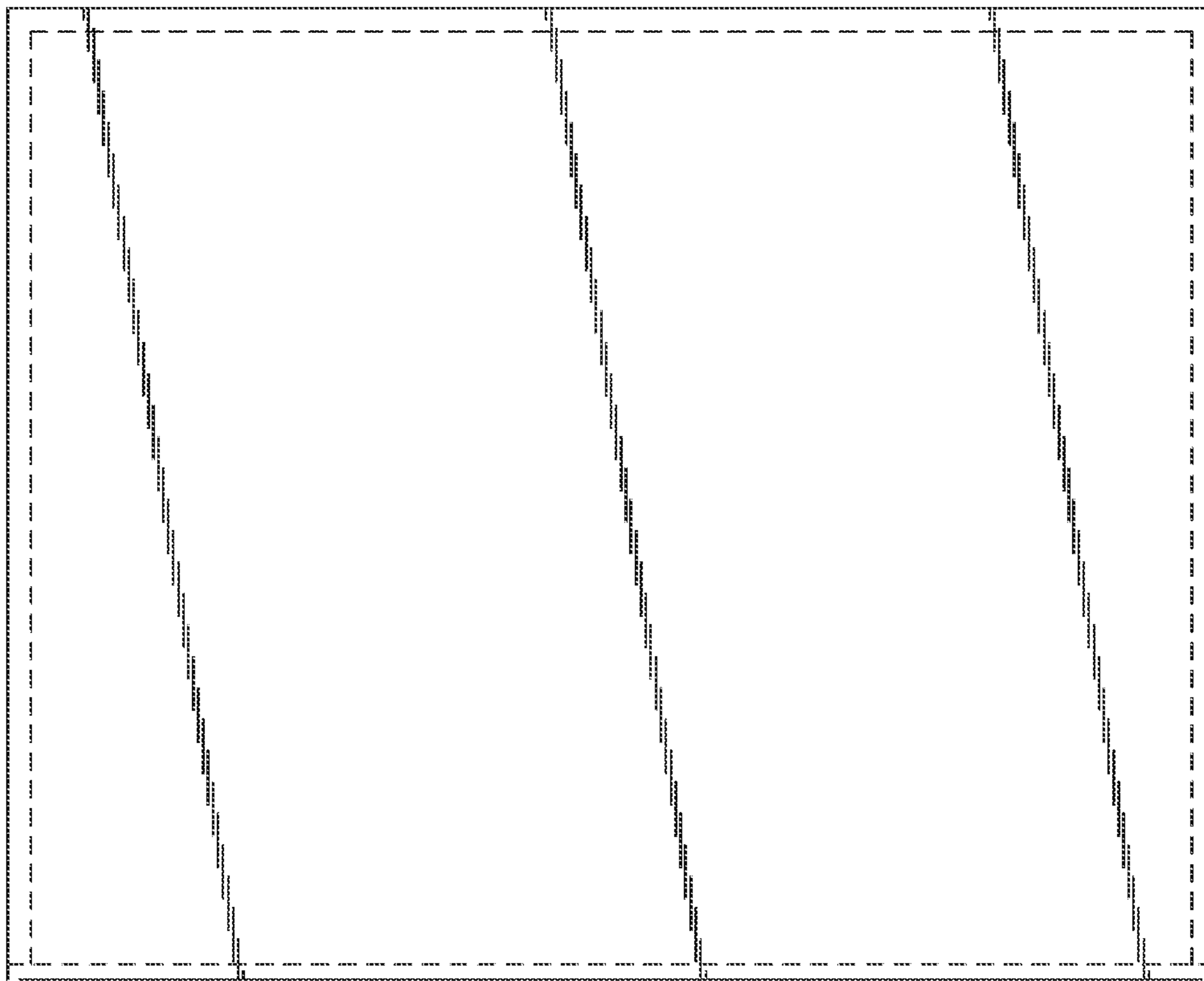


FIG. 6



FIG. 7

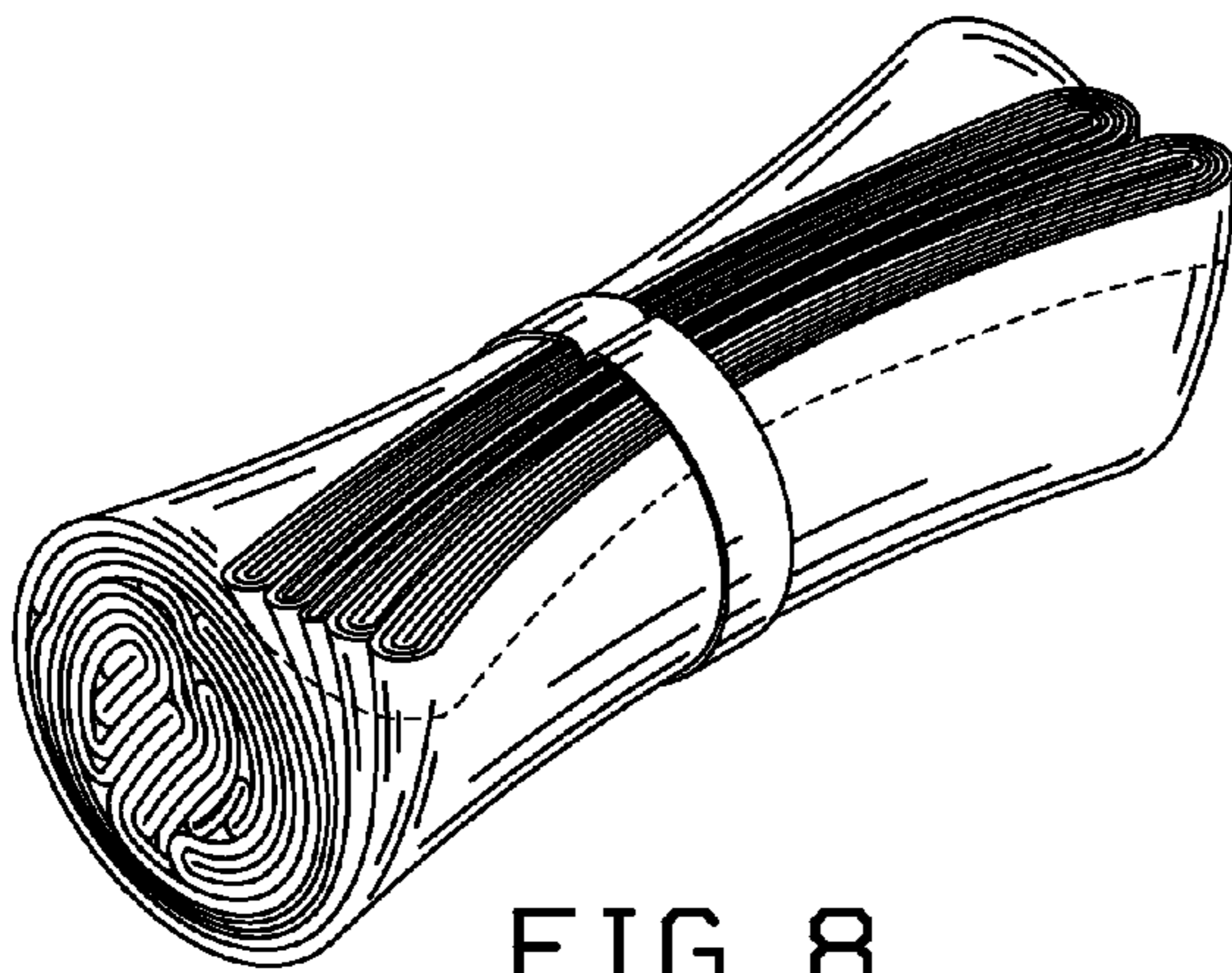


FIG. 8



FIG. 9

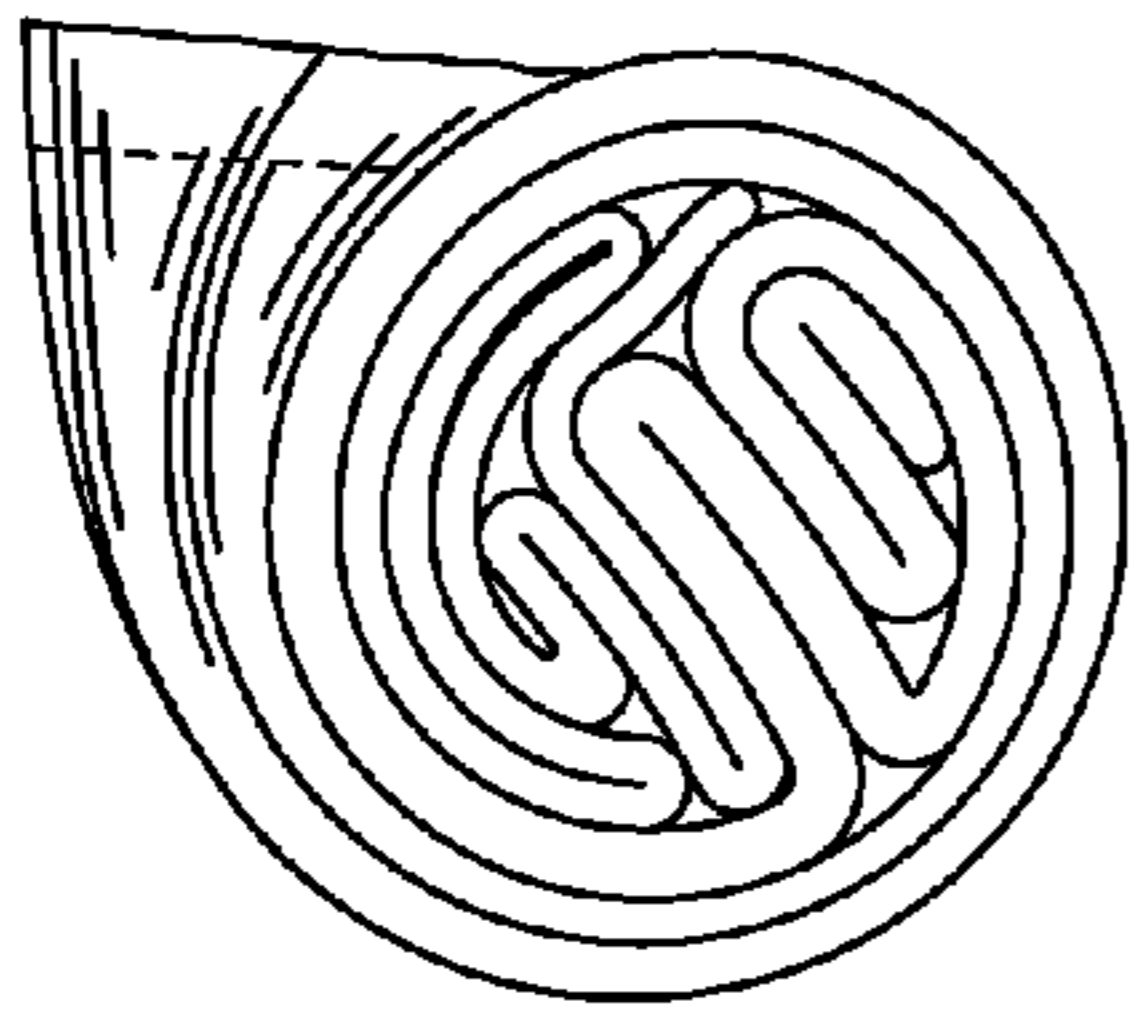


FIG. 10

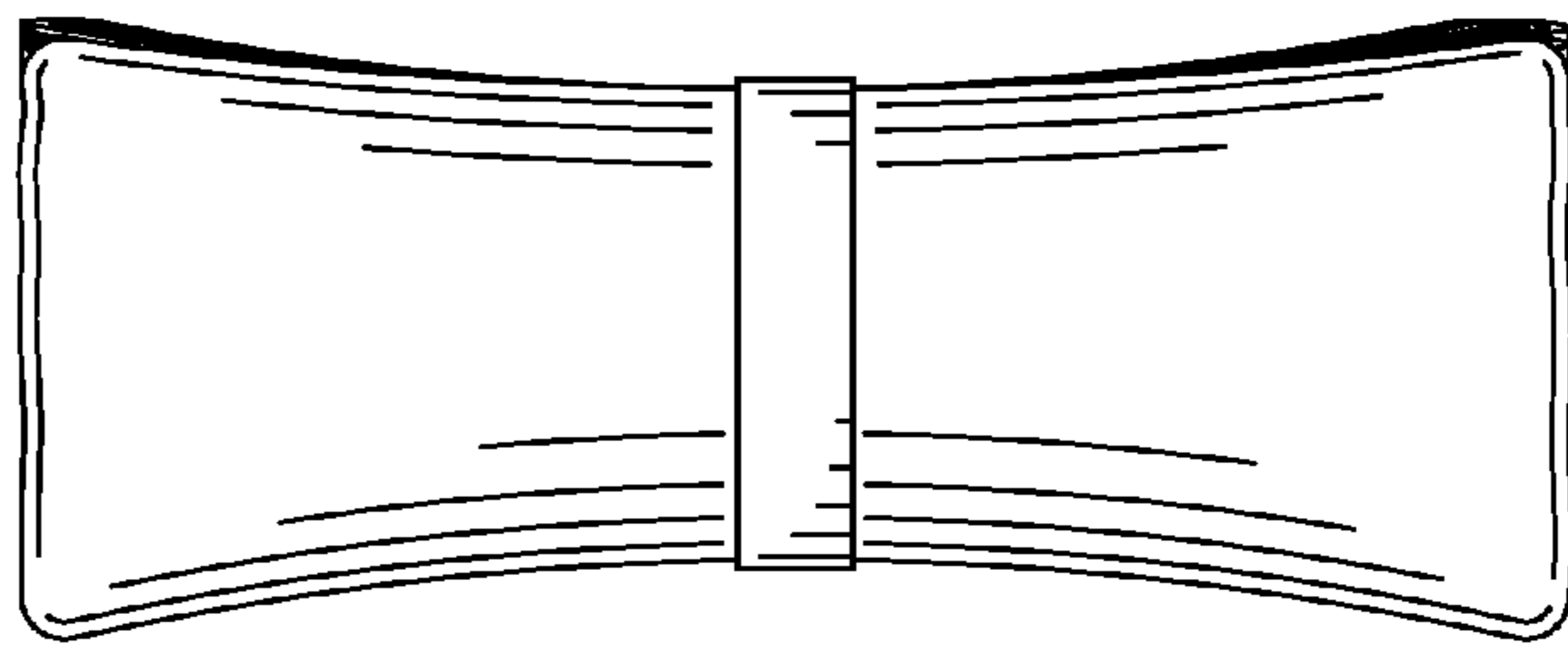


FIG. 11

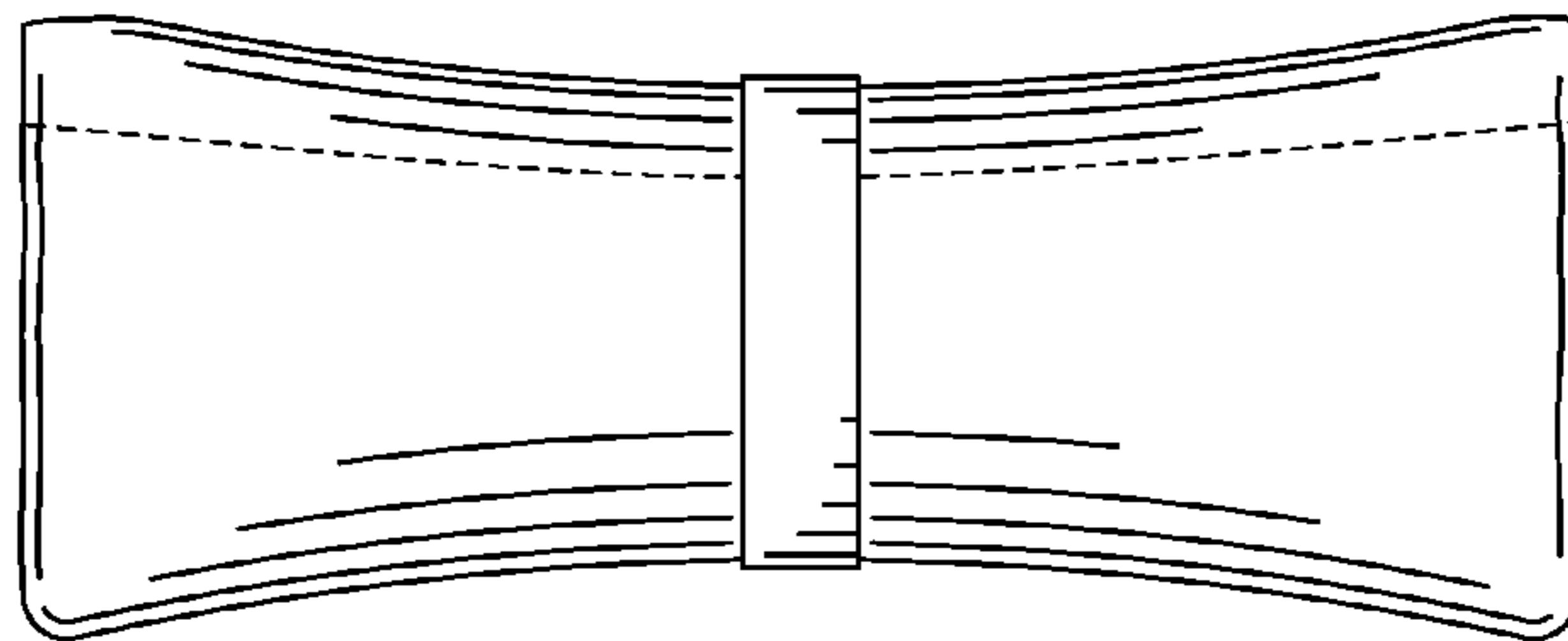


FIG. 12

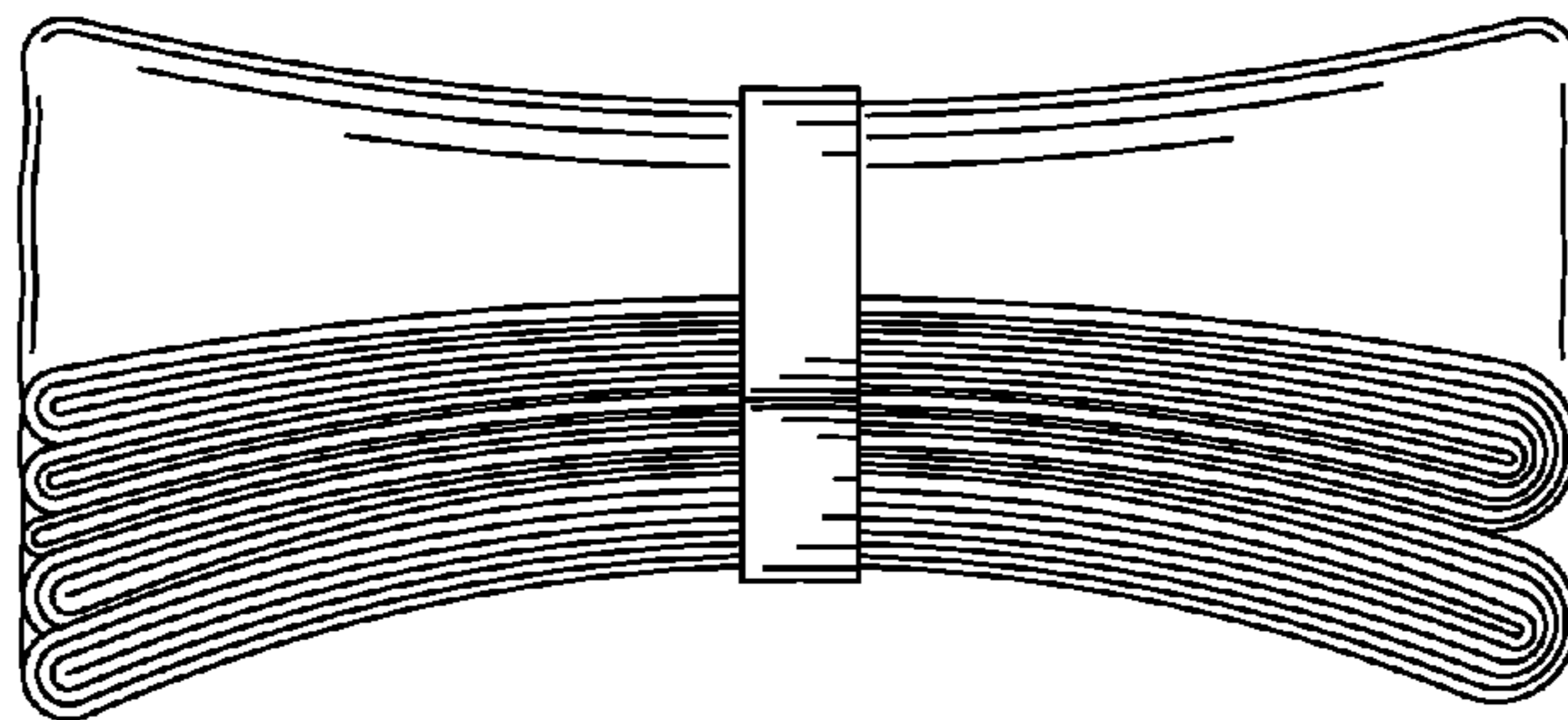


FIG. 13

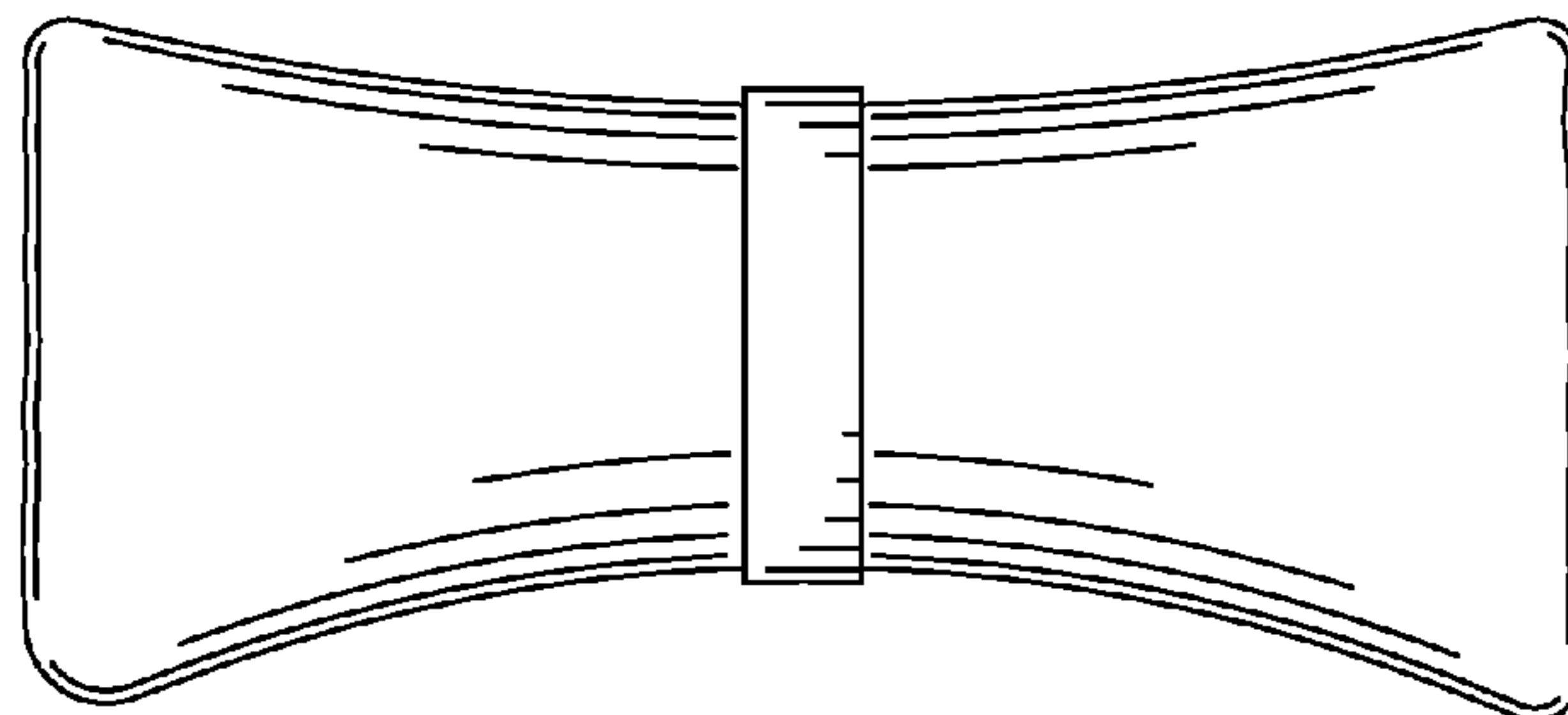


FIG. 14