

US00D651435S

(12) **United States Design Patent**
Dieudonne et al.

(10) **Patent No.:** **US D651,435 S**
(45) **Date of Patent:** **** Jan. 3, 2012**

(54) **DISPENSER**

(76) Inventors: **Pascal Dieudonne**, Moussac (FR);
Florence Dieudonne, Moussac (FR)

(**) Term: **14 Years**

(21) Appl. No.: **29/390,805**

(22) Filed: **Apr. 29, 2011**

(51) **LOC (9) Cl.** **20-02**

(52) **U.S. Cl.** **D6/515; D6/566**

(58) **Field of Classification Search** D7/600.1-600.4,
D7/701-708, 619.1-625; D6/408, 463, 515,
D6/462, 417, 535, 552, 556, 566, 517, 553,
D6/567; 211/59.2, 181.1, 74, 71.01, 14,
211/13.1, 49.1, 59.1, 85.11, 106; 312/45;
47/39, 47, 41.14; 206/499

See application file for complete search history.

(56) **References Cited**

U.S. PATENT DOCUMENTS

D342,844 S * 1/1994 Rittenberg D6/566
D361,449 S * 8/1995 Rittenberg D6/566

D382,159 S * 8/1997 Keogh et al. D6/566
D395,184 S * 6/1998 St-Pierre et al. D6/517
D479,750 S * 9/2003 Allison D6/513
D630,033 S * 1/2011 Snider D6/513
D637,042 S * 5/2011 Chen D7/600.1

* cited by examiner

Primary Examiner — Brian N. Vinson

(74) *Attorney, Agent, or Firm* — Egbert Law Offices PLLC

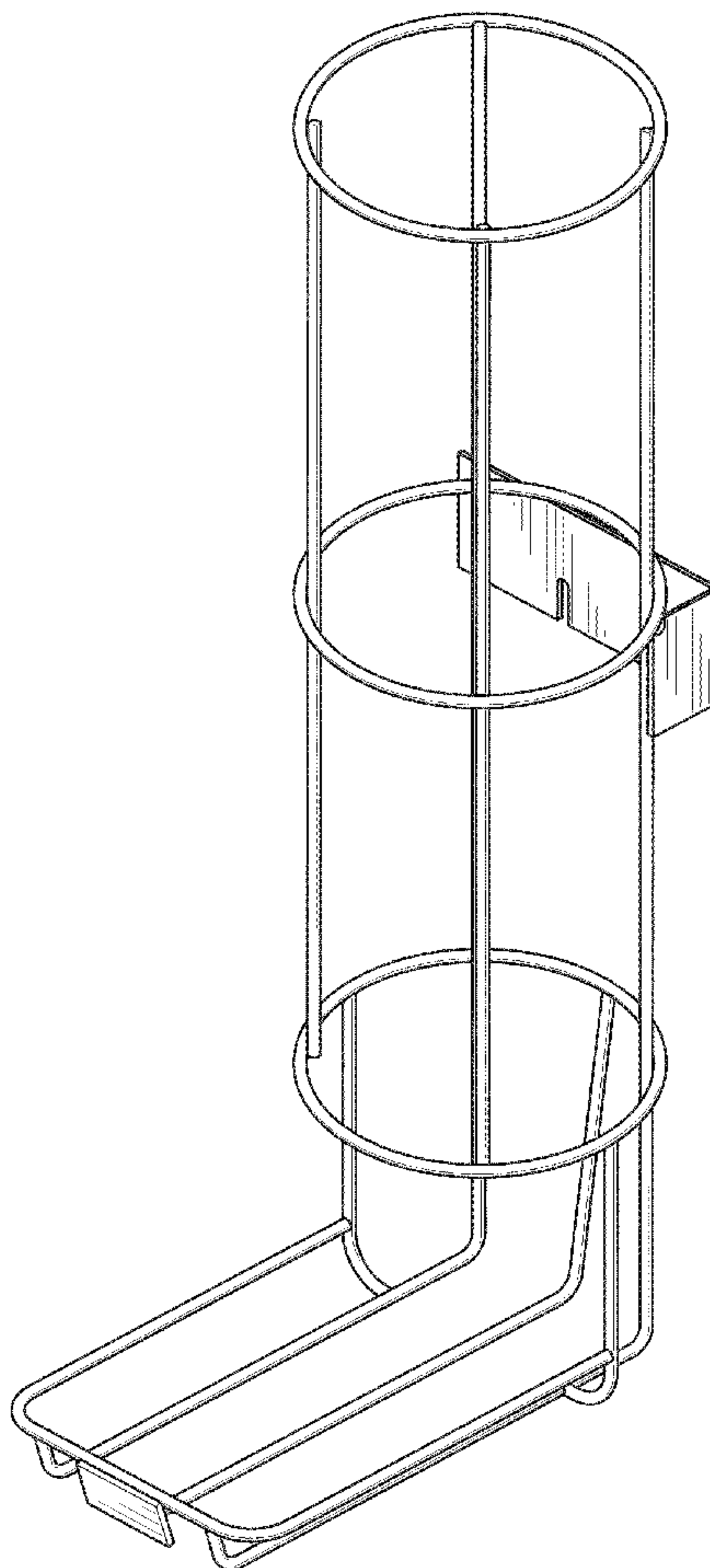
(57) **CLAIM**

The ornamental design for a dispenser, as shown and described.

DESCRIPTION

FIG. 1 is an upper perspective view of the dispenser showing our design;
FIG. 2 is a front elevation view thereof;
FIG. 3 is a rear elevation view thereof;
FIG. 4 is a top plan view thereof;
FIG. 5 is a bottom plan view thereof;
FIG. 6 is a side elevation view thereof; and,
FIG. 7 is an opposite side elevation view thereof.

1 Claim, 3 Drawing Sheets



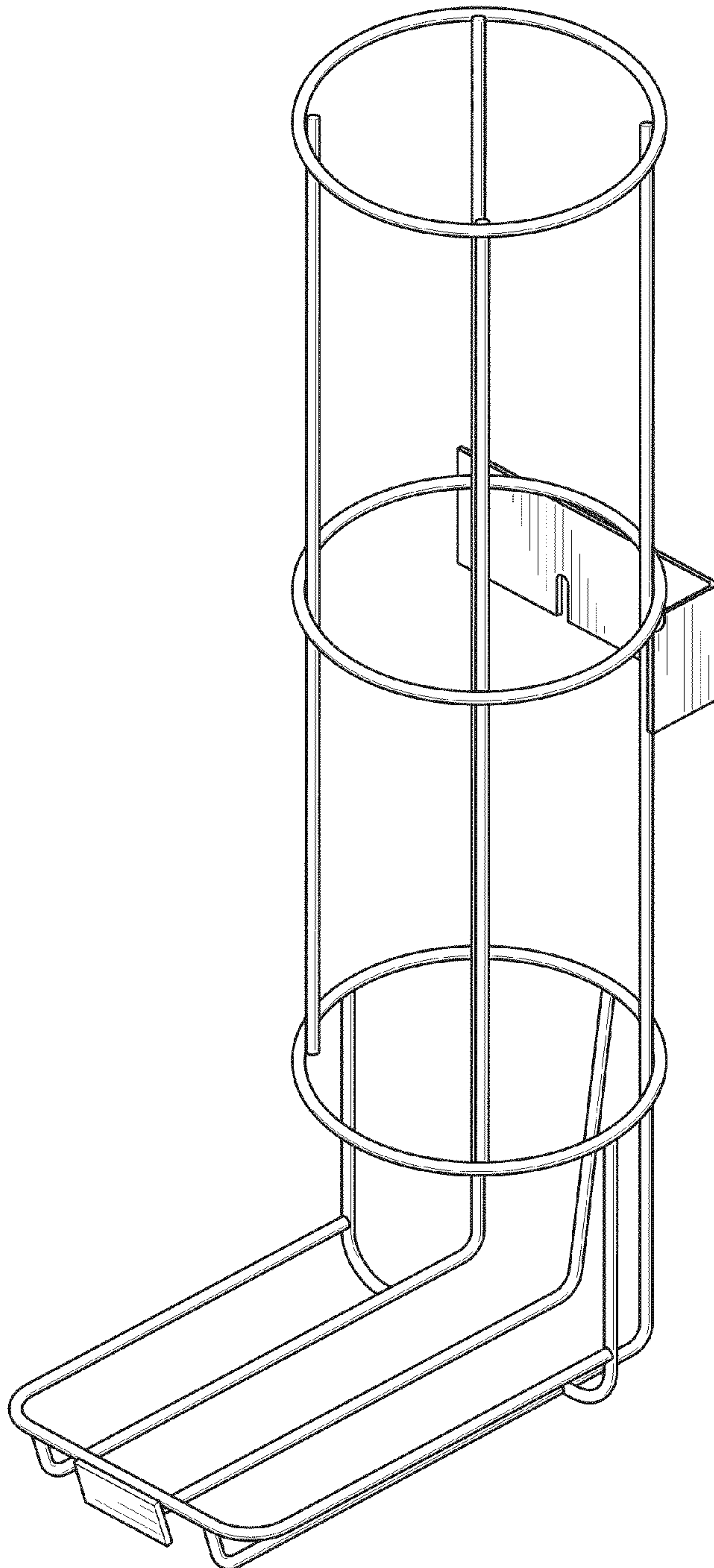


FIG. 1

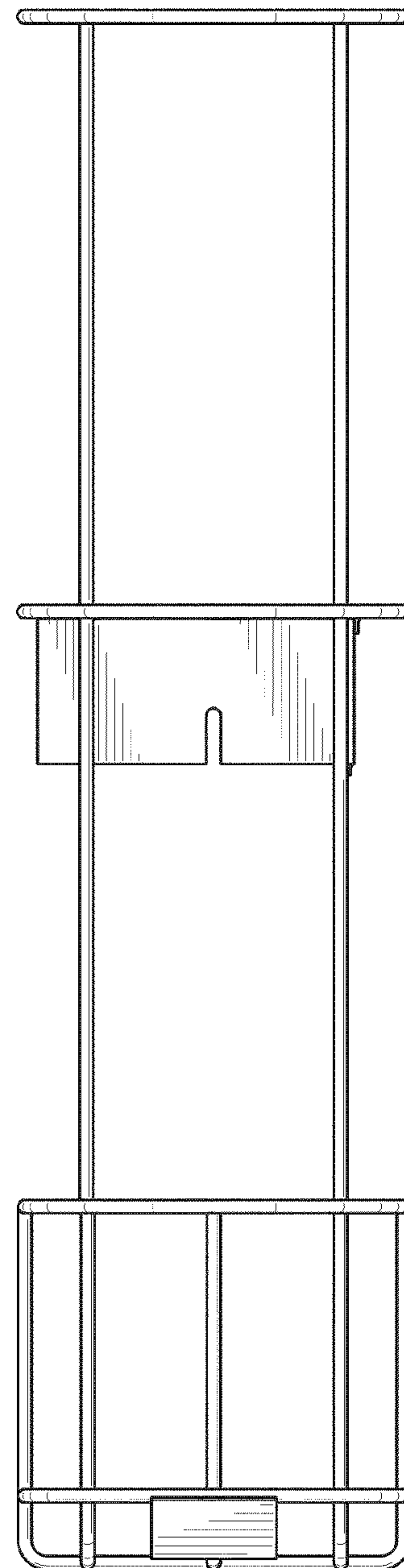


FIG. 2

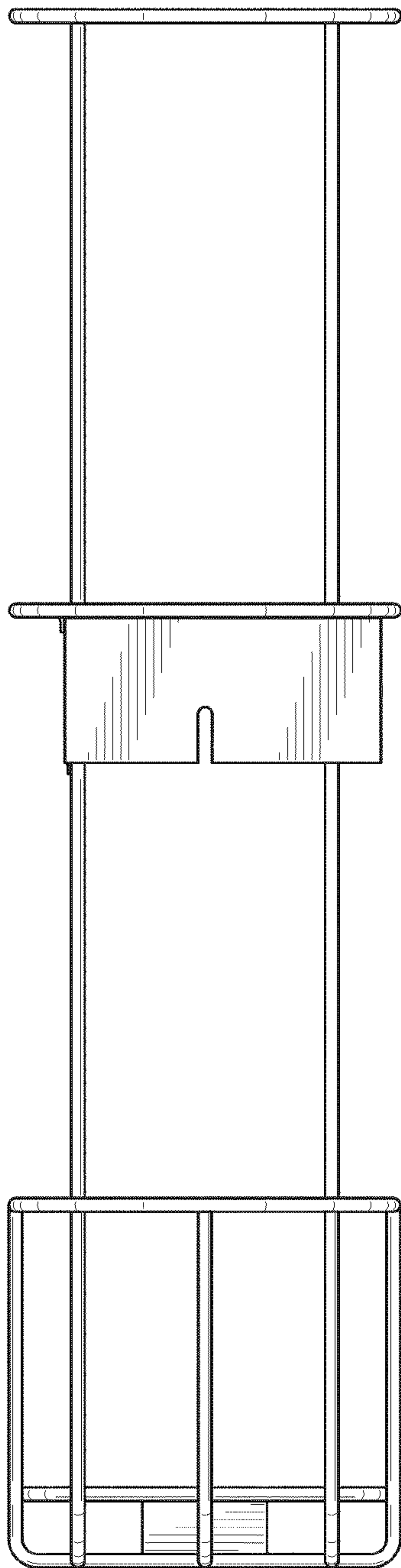


FIG. 3

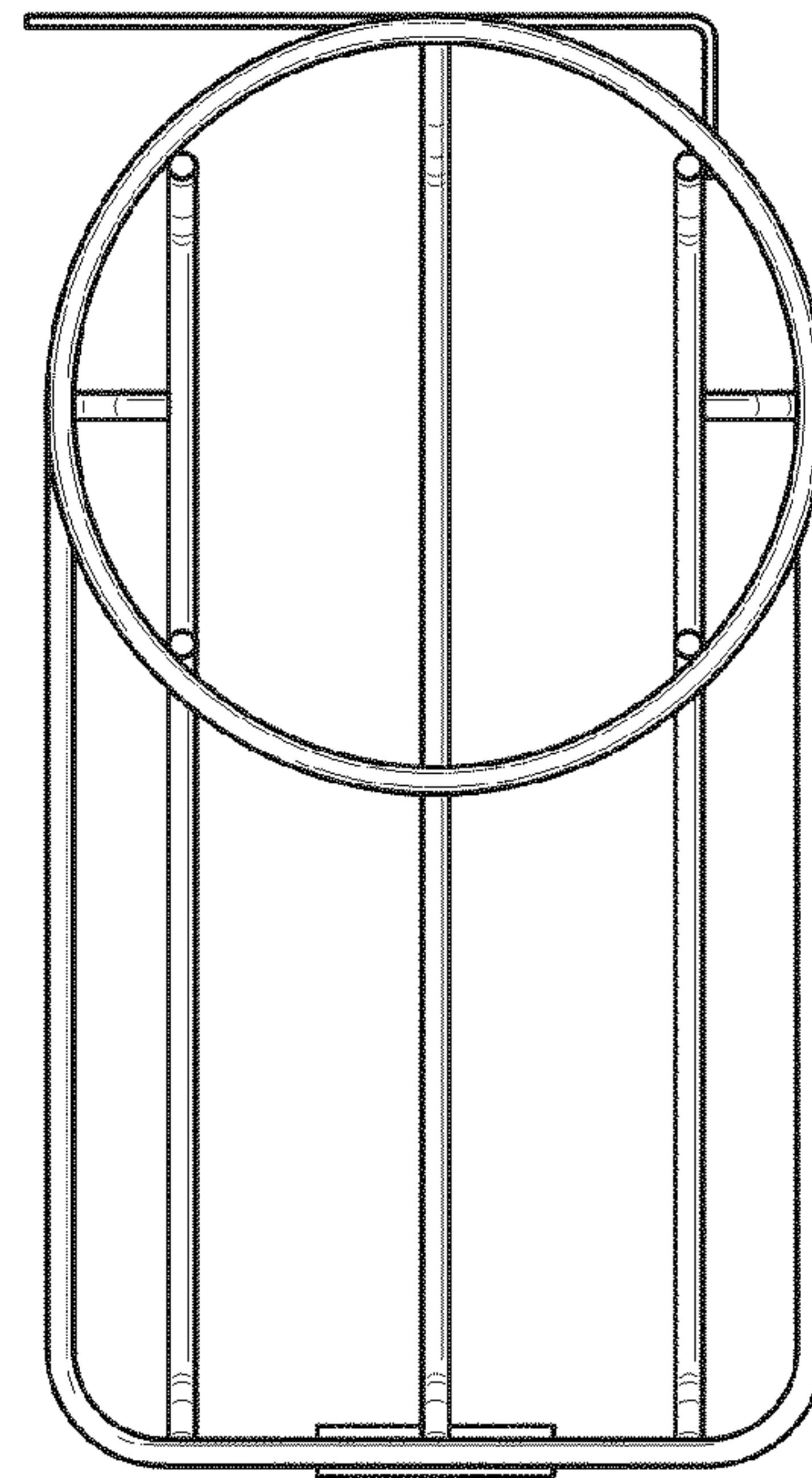


FIG. 4

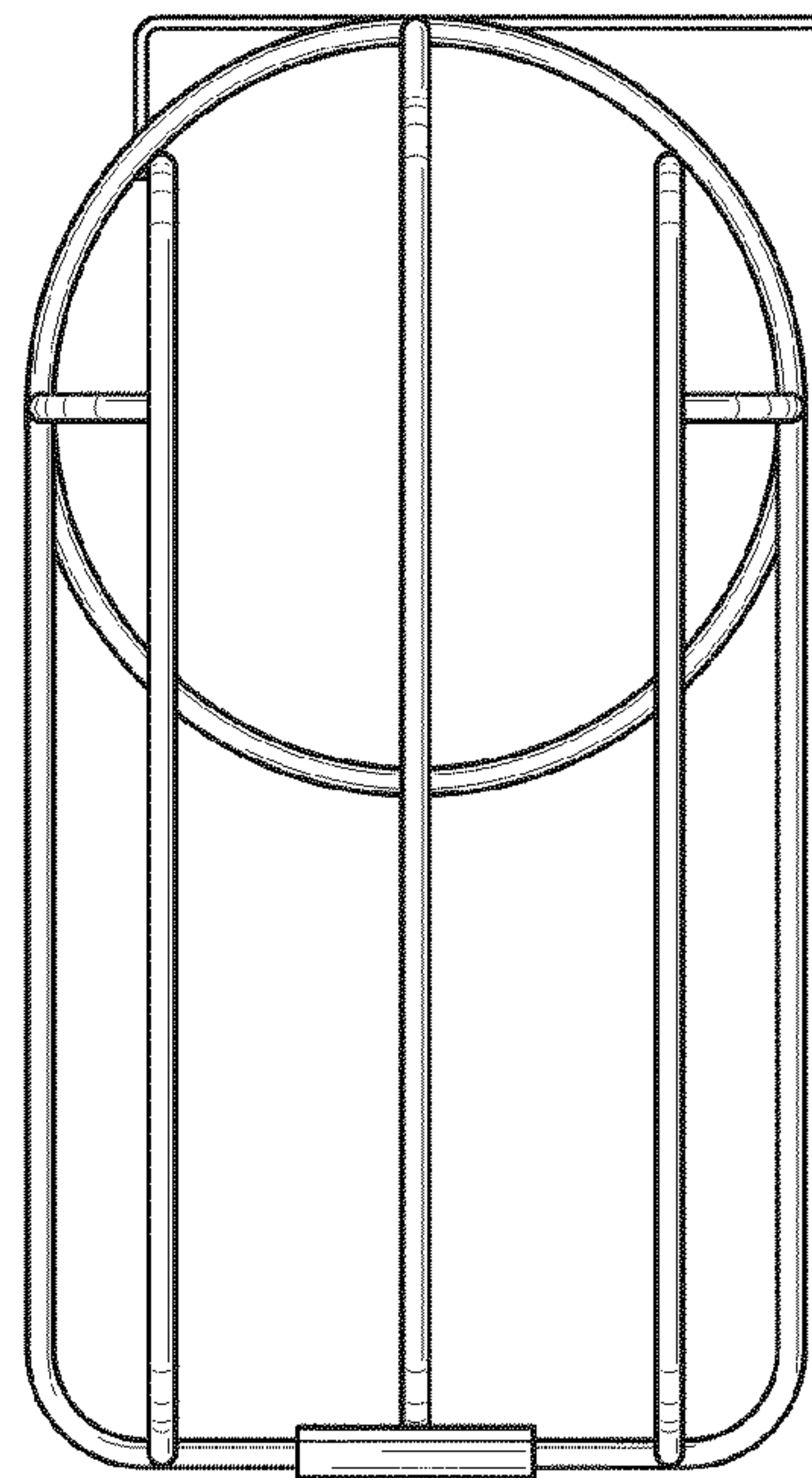


FIG. 5

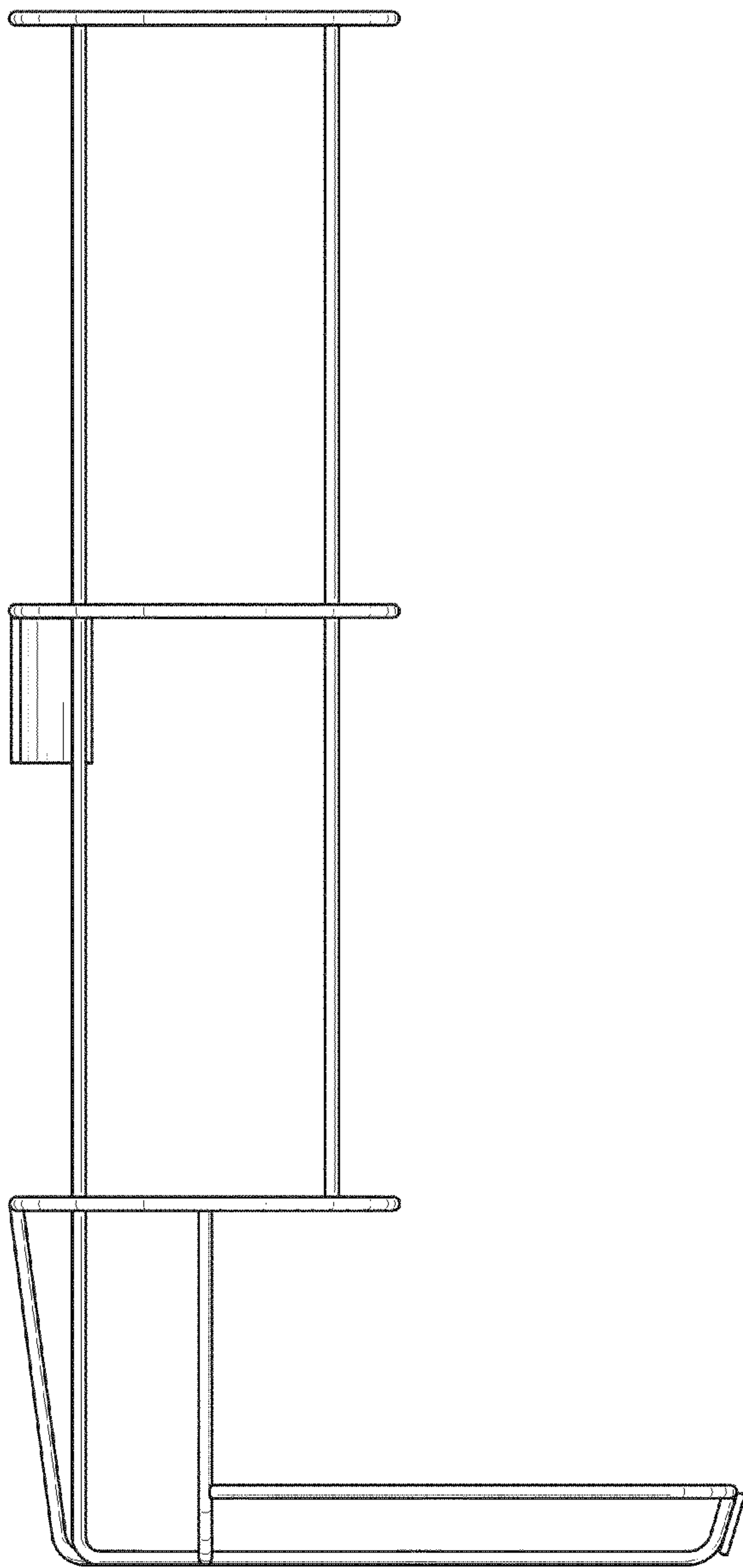


FIG. 6

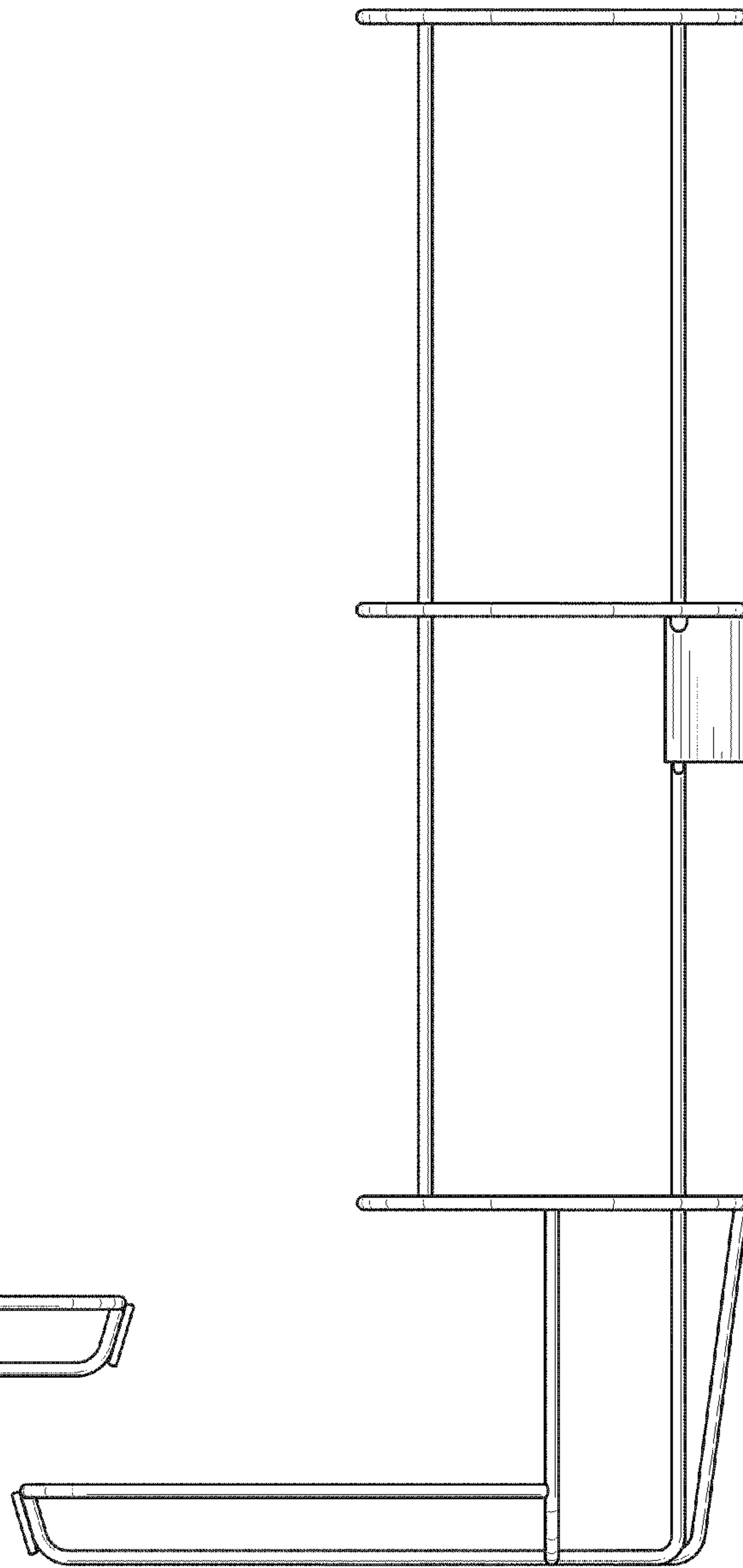


FIG. 7