



US00D651433S

(12) **United States Design Patent**
Le et al.

(10) **Patent No.:** **US D651,433 S**
(45) **Date of Patent:** **** Jan. 3, 2012**

(54) **SHELVING POST CONNECTOR**

(75) Inventors: **Johannes Le**, Huntington Beach, CA (US); **Jorge Baez**, Lake Forest, CA (US)

(73) Assignee: **Cambro Manufacturing Company**, Huntington, CA (US)

(**) Term: **14 Years**

(21) Appl. No.: **29/356,457**

(22) Filed: **Feb. 25, 2010**

(51) **LOC (9) Cl.** **06-04**

(52) **U.S. Cl.** **D6/511**

(58) **Field of Classification Search** D6/511,
D6/491, 495; D26/119, 120–124, 76, 138,
D26/152, 71, 85, 74, 67, 25, 134, 130, 113,
D26/128, 105, 9, 11; D13/180, 179; D16/101,
D16/135; 362/547, 240, 241, 145, 249.01,
362/555, 152, 219; D25/124, 122, 60; 52/204.5
See application file for complete search history.

(56) **References Cited**

U.S. PATENT DOCUMENTS

D457,052 S * 5/2002 Snyder D8/349
D473,661 S * 4/2003 Kim D25/60

D620,189 S * 7/2010 Hill et al. D26/119
* cited by examiner

Primary Examiner — Philip S Hyder

Assistant Examiner — Sydney Buffalow

(74) *Attorney, Agent, or Firm* — George F. Bethel

(57) **CLAIM**

We claim the ornamental design for a shelving post connector, as shown and described.

DESCRIPTION

FIG. 1 shows a perspective front, top, left side view of the shelving post connector.

FIG. 2 is a front elevation view thereof.

FIG. 3 is a left side elevation view thereof.

FIG. 4 is a top plan view thereof.

FIG. 5 is a right side elevation view thereof.

FIG. 6 is a back elevation view thereof.

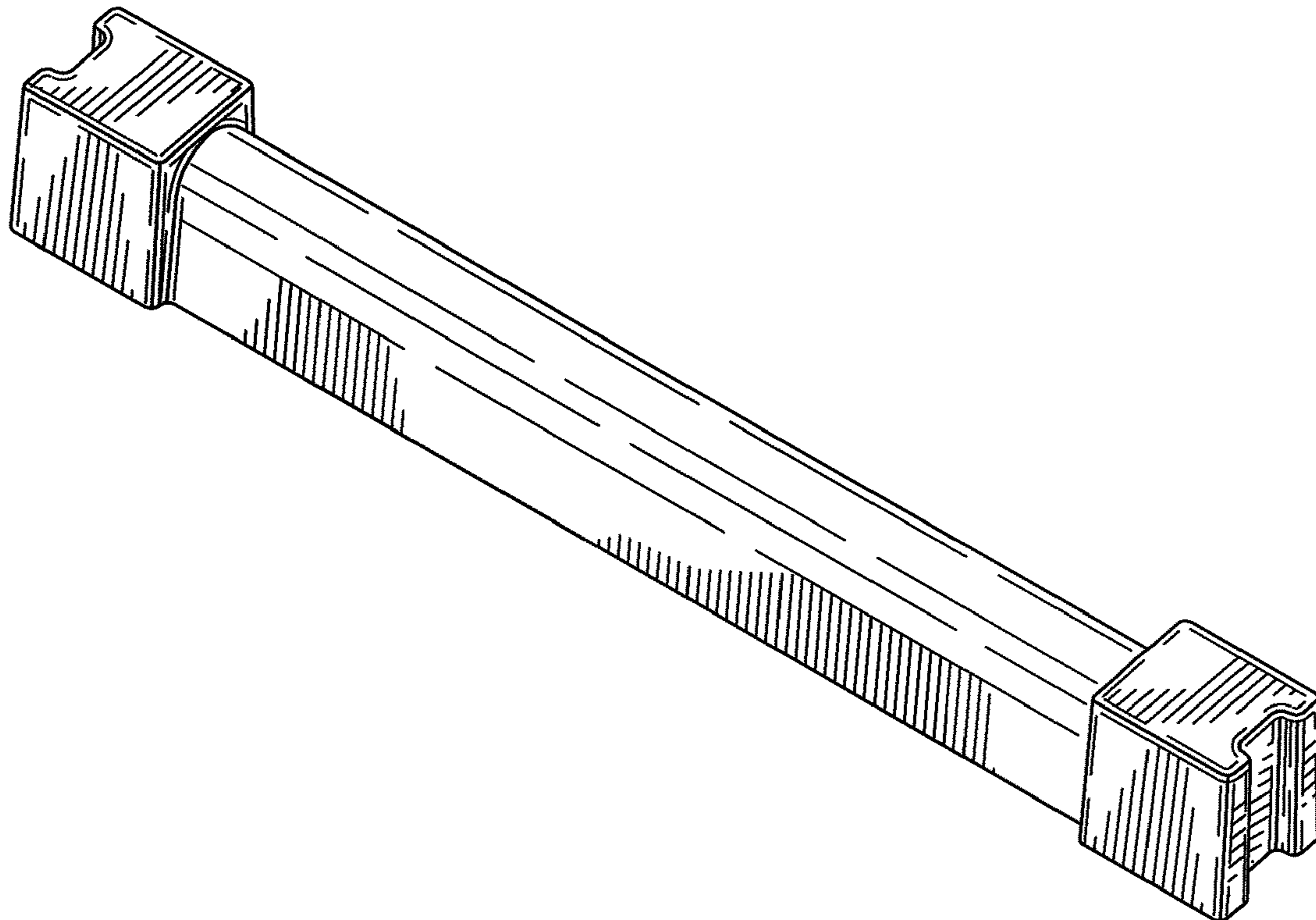
FIG. 7 is a bottom plan view thereof.

FIG. 8 is a perspective bottom, right side elevation view thereof; and,

FIG. 9 is a perspective view of the shelving post connector in use.

The broken lines shown in the drawings are directed to environment, and are for informational purposes only and form no part of the claimed design.

1 Claim, 4 Drawing Sheets



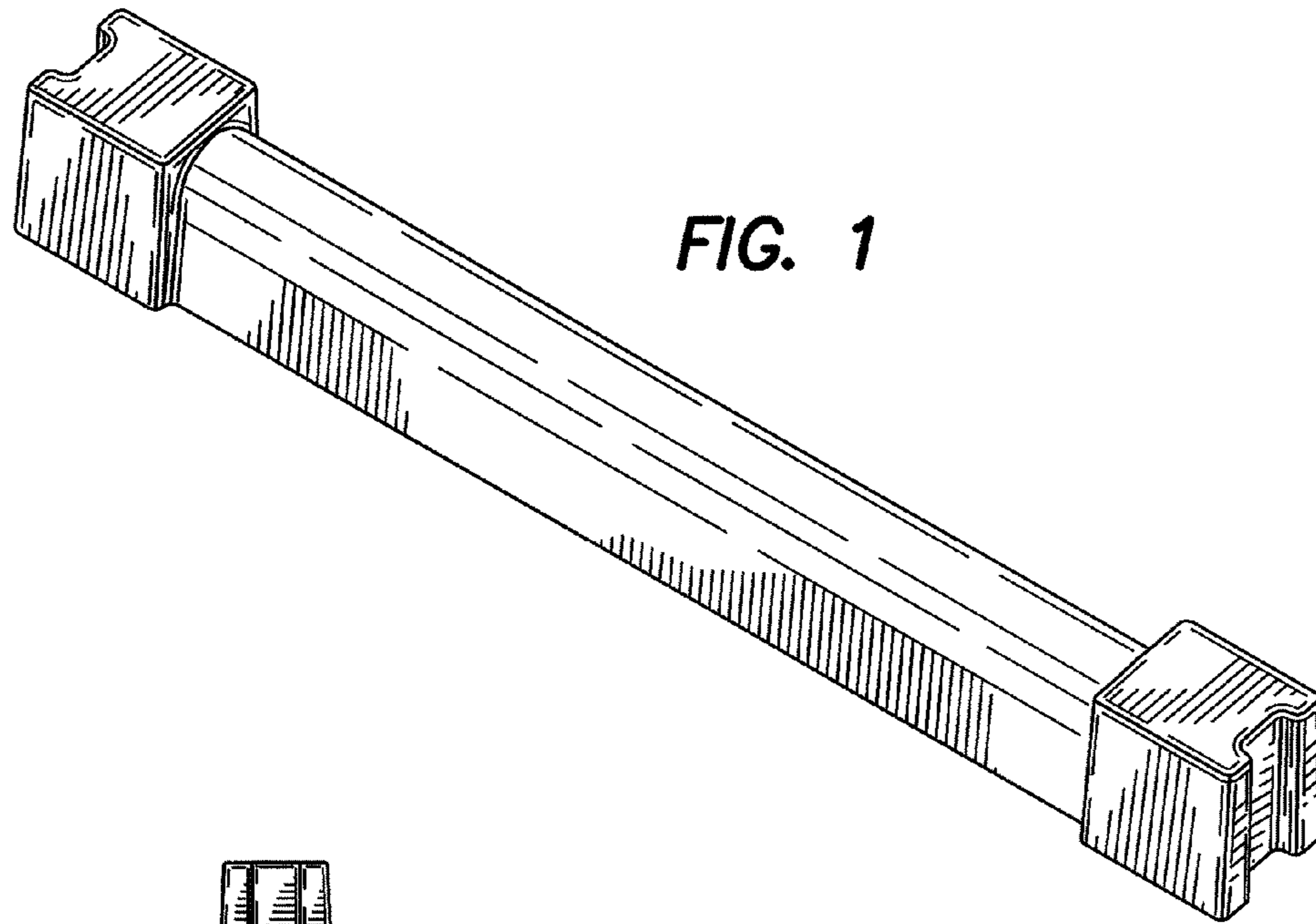


FIG. 1

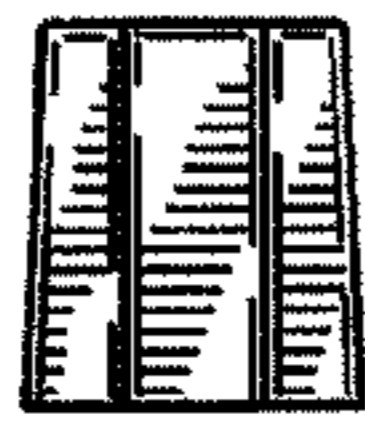


FIG. 2

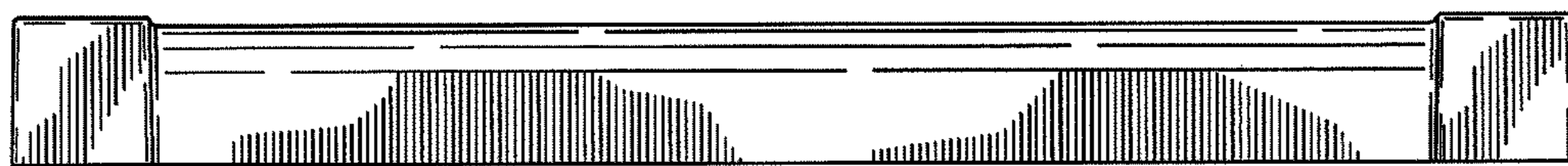


FIG. 3

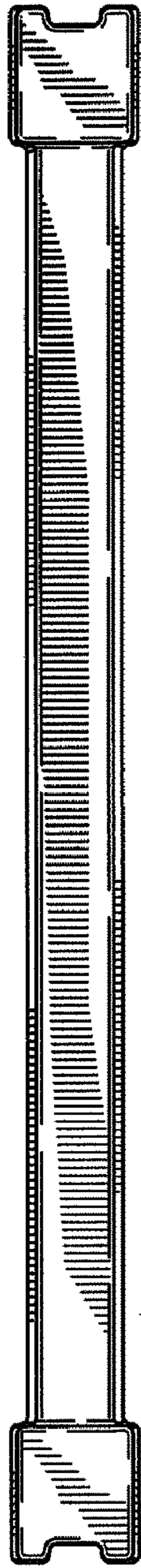
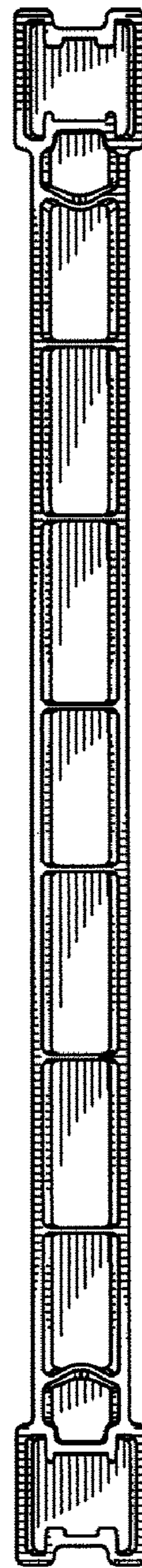


FIG. 4

FIG. 7



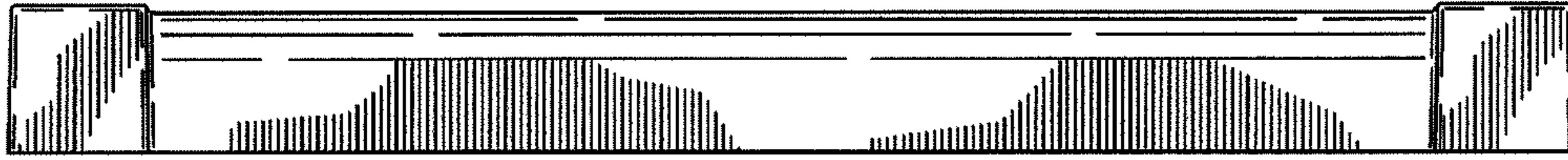


FIG. 5

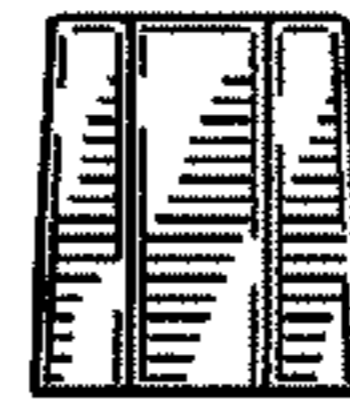


FIG. 6

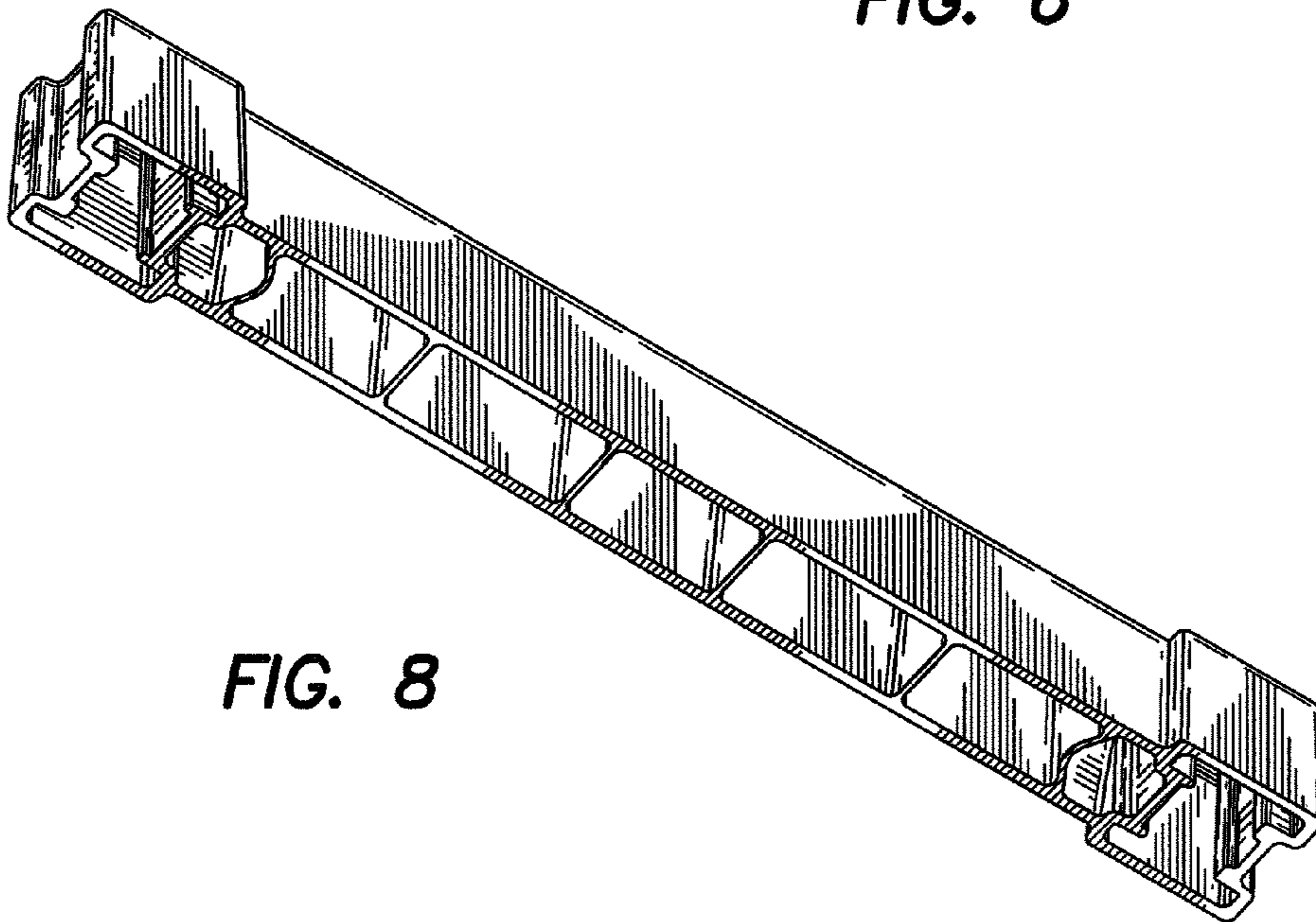


FIG. 8

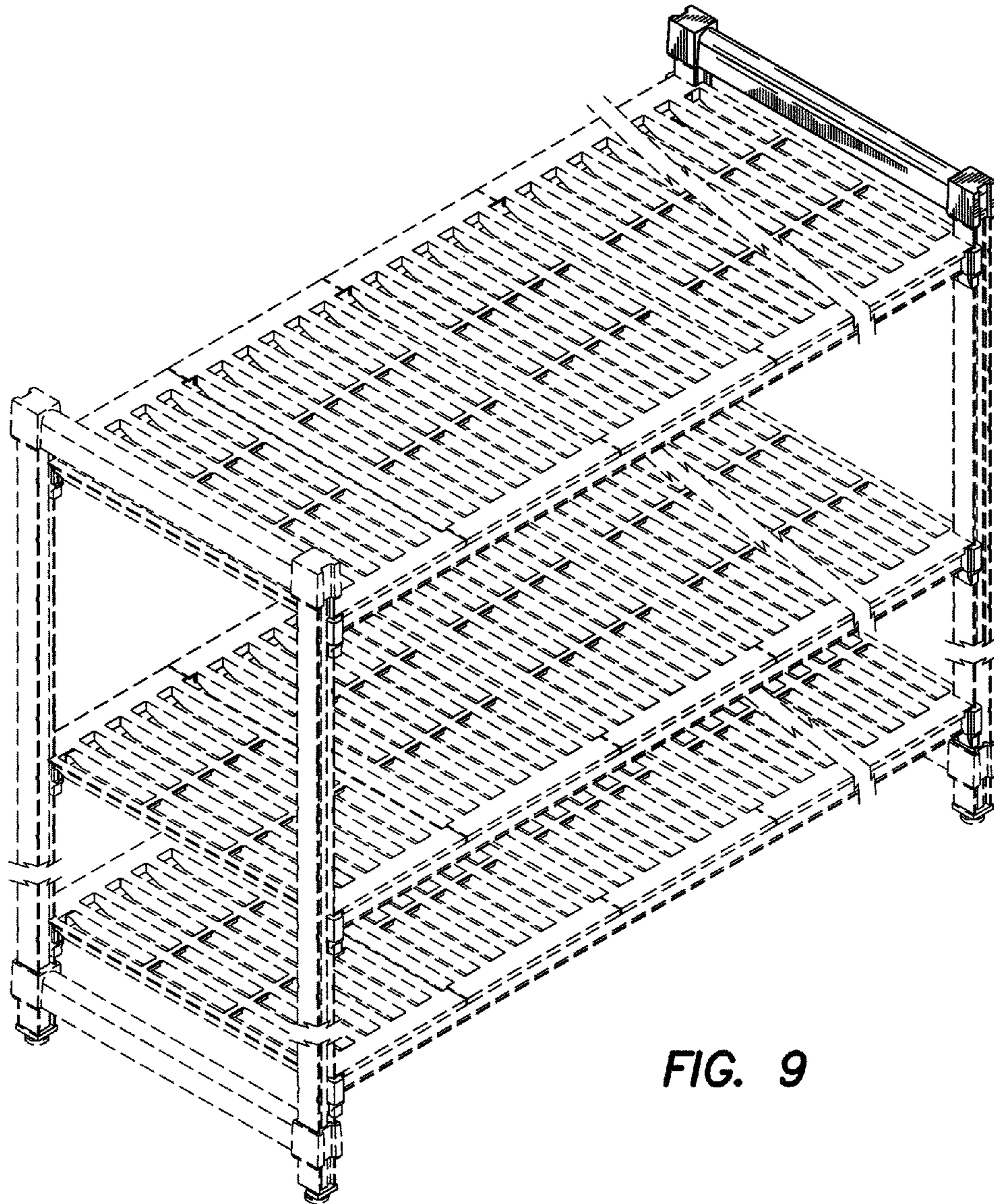


FIG. 9