



US00D651432S

(12) **United States Design Patent**
Davis

(10) **Patent No.:** **US D651,432 S**
(45) **Date of Patent:** **** Jan. 3, 2012**

(54) **TABLE BASE**

(76) Inventor: **Bradford L. Davis**, Holland, MI (US)

(**) Term: **14 Years**

(21) Appl. No.: **29/378,076**

(22) Filed: **Oct. 29, 2010**

(51) **LOC (9) Cl.** **06-06**

(52) **U.S. Cl.** **D6/495**

(58) **Field of Classification Search** D6/480-489,
D6/495-499, 429-431; 108/150, 153.1,
108/155, 156, 161; 248/188, 188.1, 188.8,
248/164, 440, 188.9, 346.01; D25/38, 42,
D25/43, 100, 142, 152

See application file for complete search history.

(56) **References Cited**

U.S. PATENT DOCUMENTS

1,701,273 A * 2/1929 Pipp 403/396
D351,077 S * 10/1994 Bressler D6/480
D454,732 S * 3/2002 Frenkler et al. D6/480

6,915,749 B2 * 7/2005 Chang 108/161
D530,941 S * 10/2006 Domack et al. D6/480
D640,885 S * 7/2011 Clark D6/480

* cited by examiner

Primary Examiner — Janice Seeger

(74) *Attorney, Agent, or Firm* — Warner Norcross & Judd
LLP

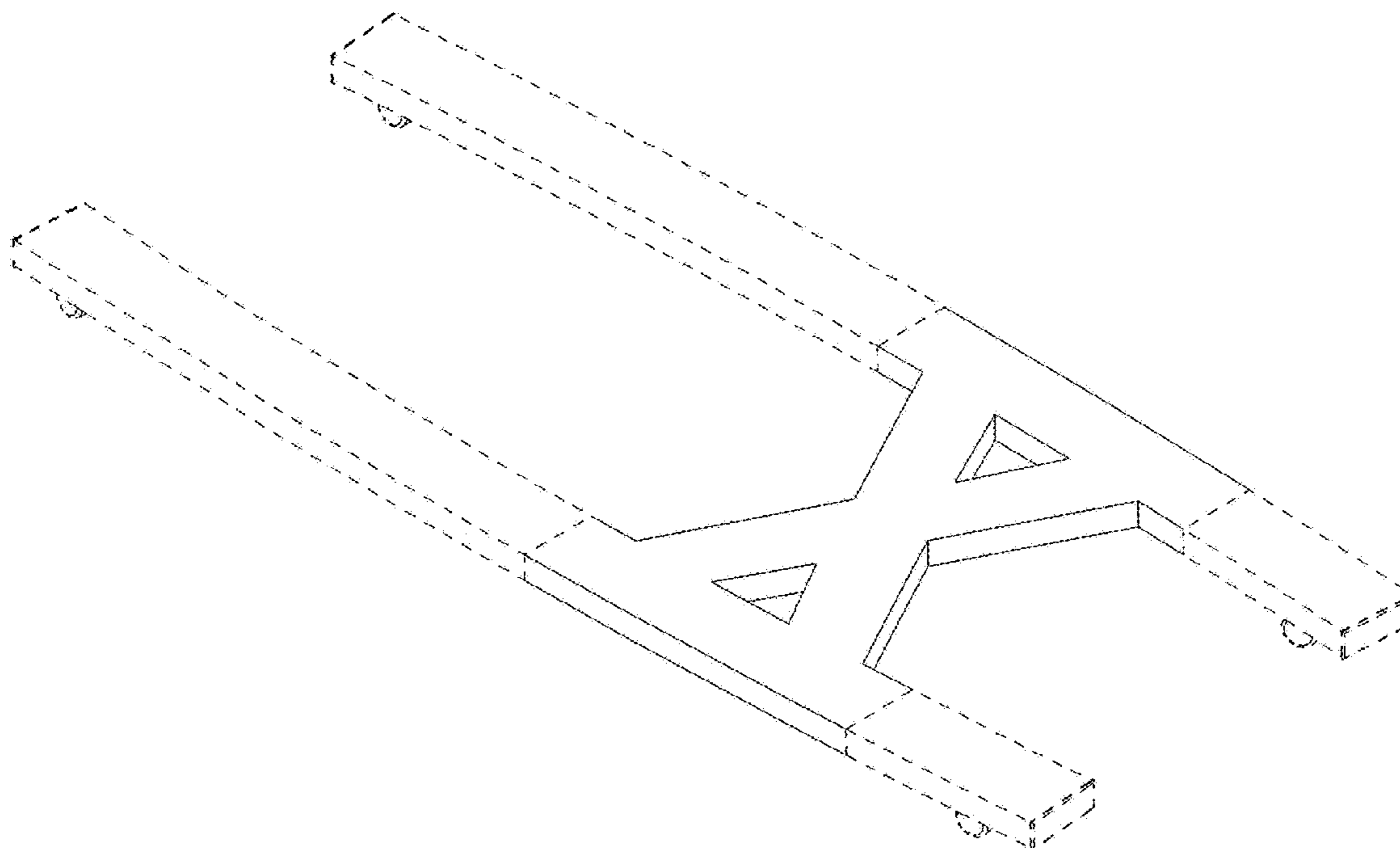
(57) **CLAIM**

The ornamental design for table base, as shown and
described.

DESCRIPTION

FIG. 1 is a perspective view of the table base embodying my
new design;
FIG. 2 is a front view thereof, the rear view being a mirror
image thereof;
FIG. 3 is a top plan view thereof;
FIG. 4 is a bottom plan view thereof; and,
FIG. 5 is a right side elevational view thereof, the left side
elevational view being a mirror image thereof.
FIGS. 1-5 show portions of the table base in phantom lines.
The phantom line portions are shown for environmental pur-
poses and form no part of the claimed design.

1 Claim, 5 Drawing Sheets



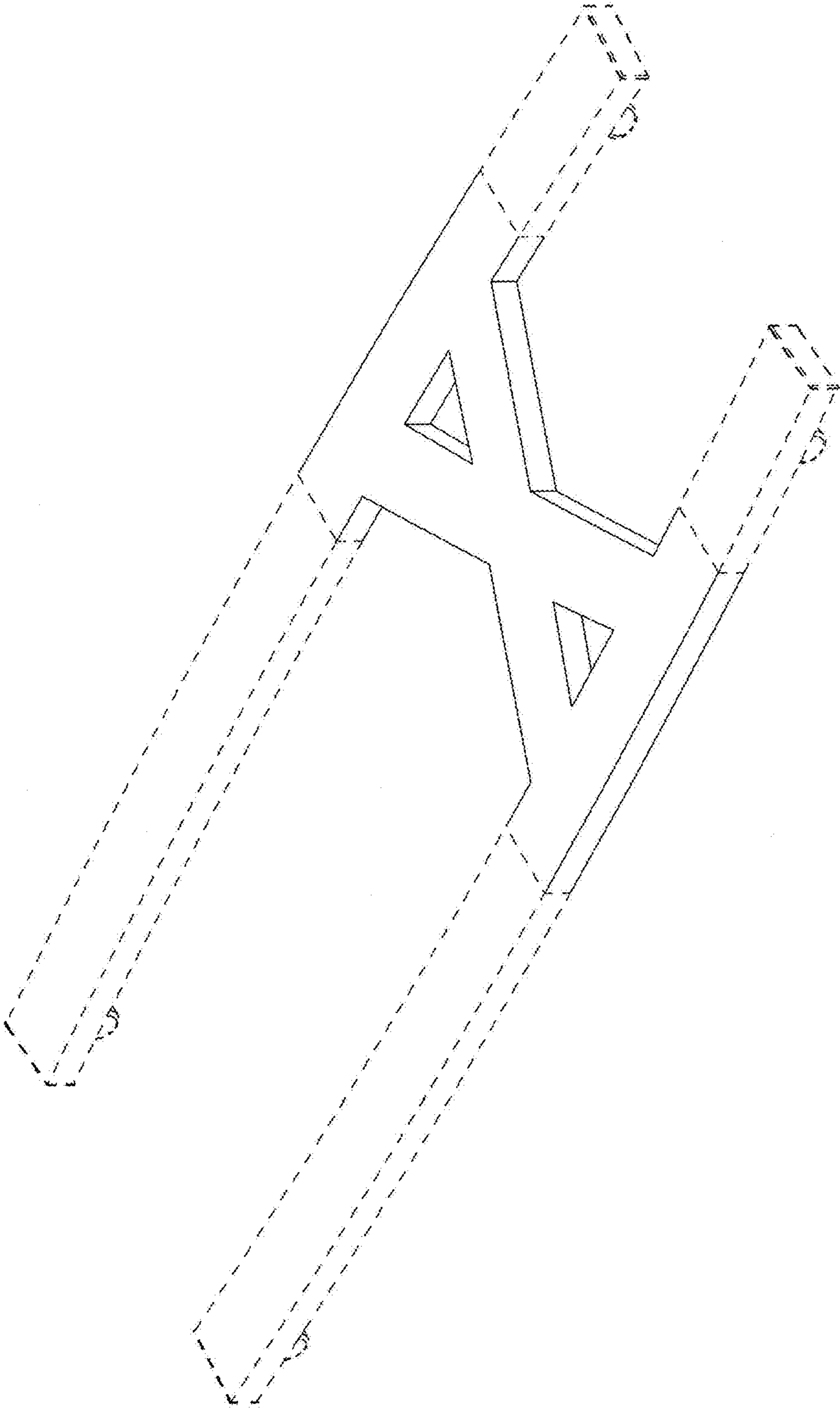


Fig. 1

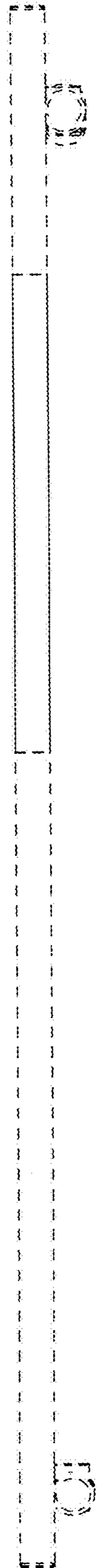


Fig. 2

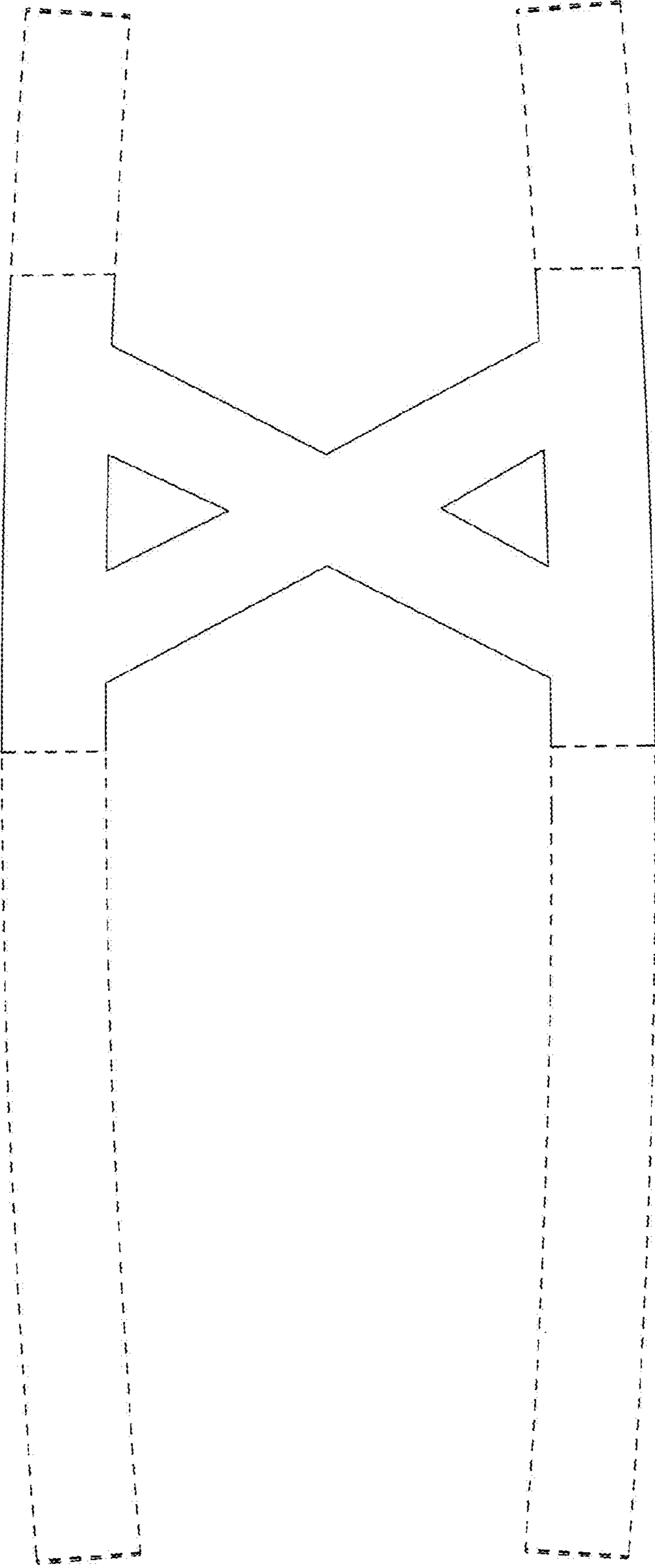


Fig. 3

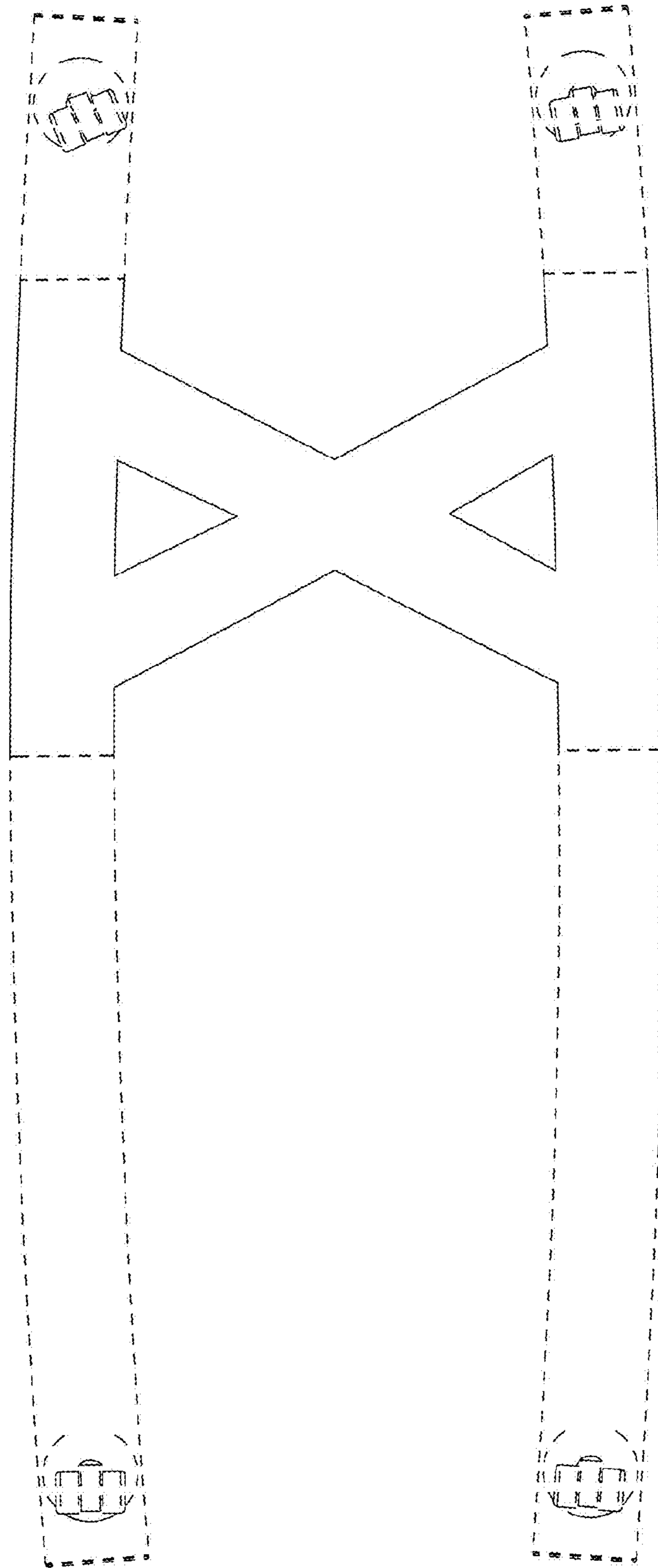


Fig. 4

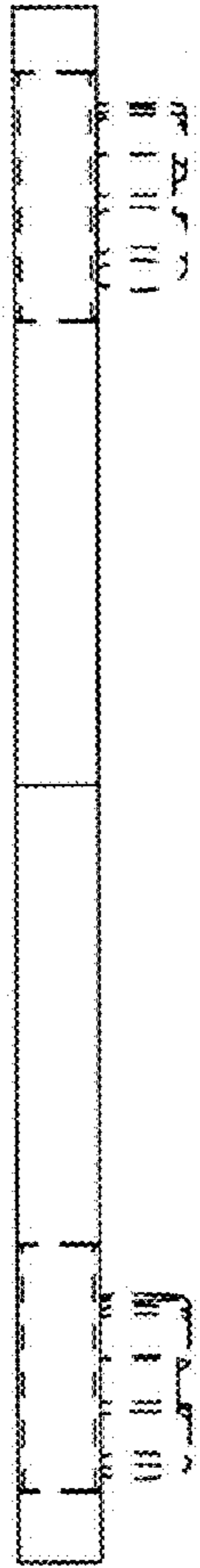


Fig. 5