



US00D651423S

(12) **United States Design Patent**  
**Petrucelli**

(10) **Patent No.:** **US D651,423 S**

(45) **Date of Patent:** **\*\* Jan. 3, 2012**

(54) **BARBER CHAIR WITH TILTABLE BACK REST**

3,271,070 A \* 9/1966 Dlouhy et al. .... 297/188.18  
\* cited by examiner

(75) Inventor: **Giulio Petrucelli**, Flushing, NY (US)

*Primary Examiner* — Mimoso De

(73) Assignee: **P.S. Pibbs, Inc.**, Flushing, NY (US)

(74) *Attorney, Agent, or Firm* — Gerald E. Hespos; Michael J. Porco

(\*\*) Term: **14 Years**

(57) **CLAIM**

(21) Appl. No.: **29/348,717**

The ornamental design for a barber chair with tiltable back rest, as shown and described.

(22) Filed: **Jan. 29, 2010**

**DESCRIPTION**

(51) **LOC (9) Cl.** ..... **06-01**

(52) **U.S. Cl.** ..... **D6/364**

(58) **Field of Classification Search** ..... D6/334-336,  
D6/364, 365, 366, 367, 374, 379, 380, 500-502;  
297/71, 90, 180.14, 188.18, 238, 325, 330,  
297/338, 339, 340, 344.13, 344.19, 411.27  
See application file for complete search history.

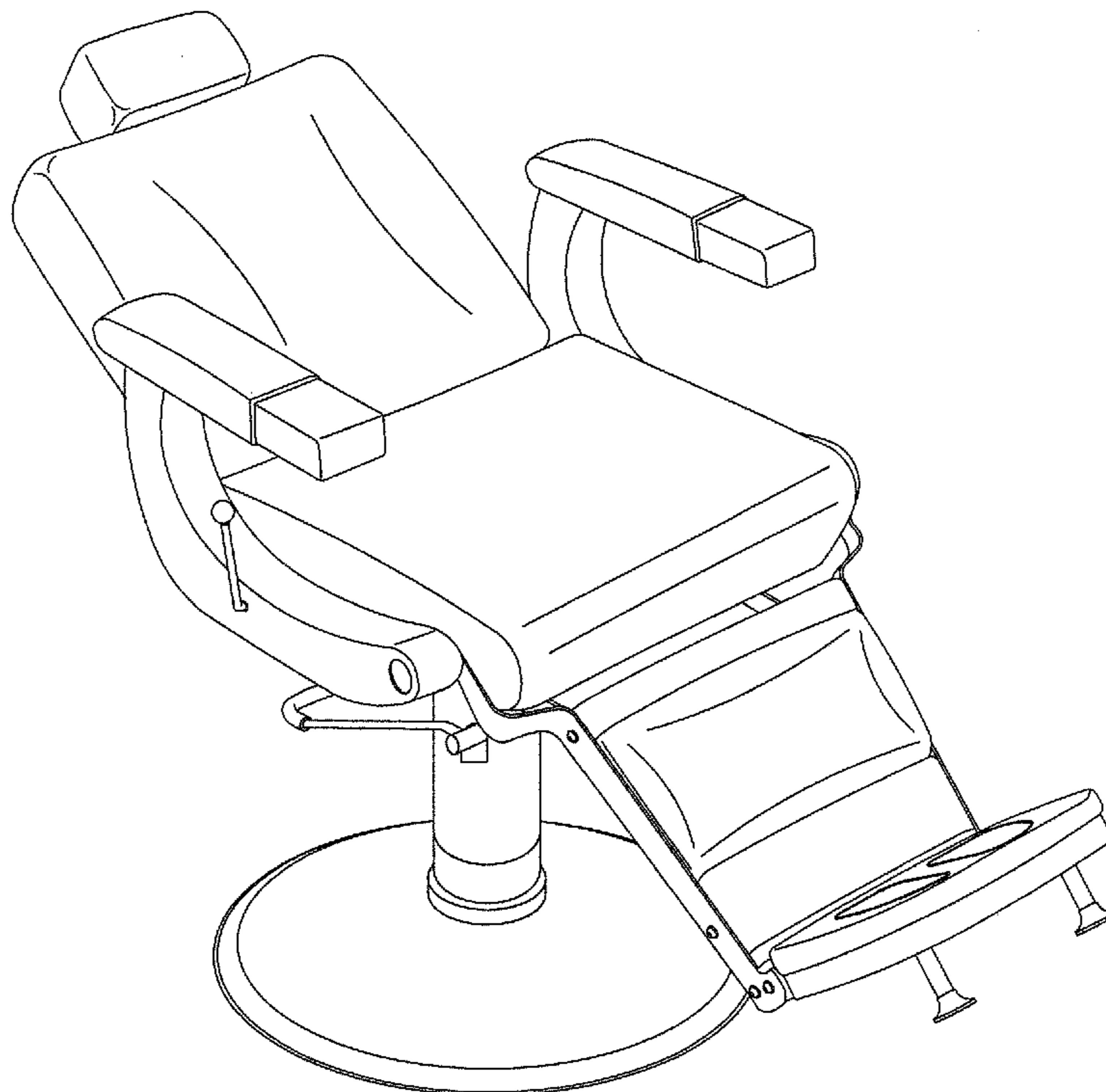
FIG. 1 is a perspective view of a barber chair with tiltable back rest showing my new design;  
FIG. 2 is a left side elevational view of the barber chair with tiltable back rest of FIG. 1;  
FIG. 3 is a right side elevational view of the barber chair with tiltable back rest of FIG. 1;  
FIG. 4 is a back elevational view of the barber chair with tiltable back rest of FIG. 1;  
FIG. 5 is a front elevational view of the barber chair with tiltable back rest of FIG. 1;  
FIG. 6 is a bottom plan view of the barber chair with tiltable back rest of FIG. 1;  
FIG. 7 is a top plan view of the barber chair with tiltable back rest of FIG. 1; and,  
FIG. 8 is a perspective view of the barber chair with tiltable back rest of FIG. 1 in the tilted reclined position.  
The broken lines shown in FIG. 6 are for illustrative purposes only and form no part of the claimed design.

(56) **References Cited**

**U.S. PATENT DOCUMENTS**

1,612,416	A *	12/1926	Casale et al. ....	297/238
1,699,460	A *	1/1929	Bayard .....	297/325
1,756,756	A *	4/1930	Mitchell .....	297/339
1,843,564	A *	2/1932	Koken .....	297/452.18
1,852,811	A *	4/1932	Koken et al. ....	297/340
1,948,786	A *	2/1934	Dorrell .....	297/338
2,637,370	A *	5/1953	Vizza .....	297/338
2,703,134	A *	3/1955	Mossor .....	297/180.14
2,884,047	A *	4/1959	Abbott .....	297/339
3,131,967	A *	5/1964	Spaulding .....	297/180.14
3,140,892	A *	7/1964	Shubart et al. ....	297/71
3,219,306	A *	11/1965	Johnson et al. ....	297/344.19

**1 Claim, 8 Drawing Sheets**





**FIG. 1**

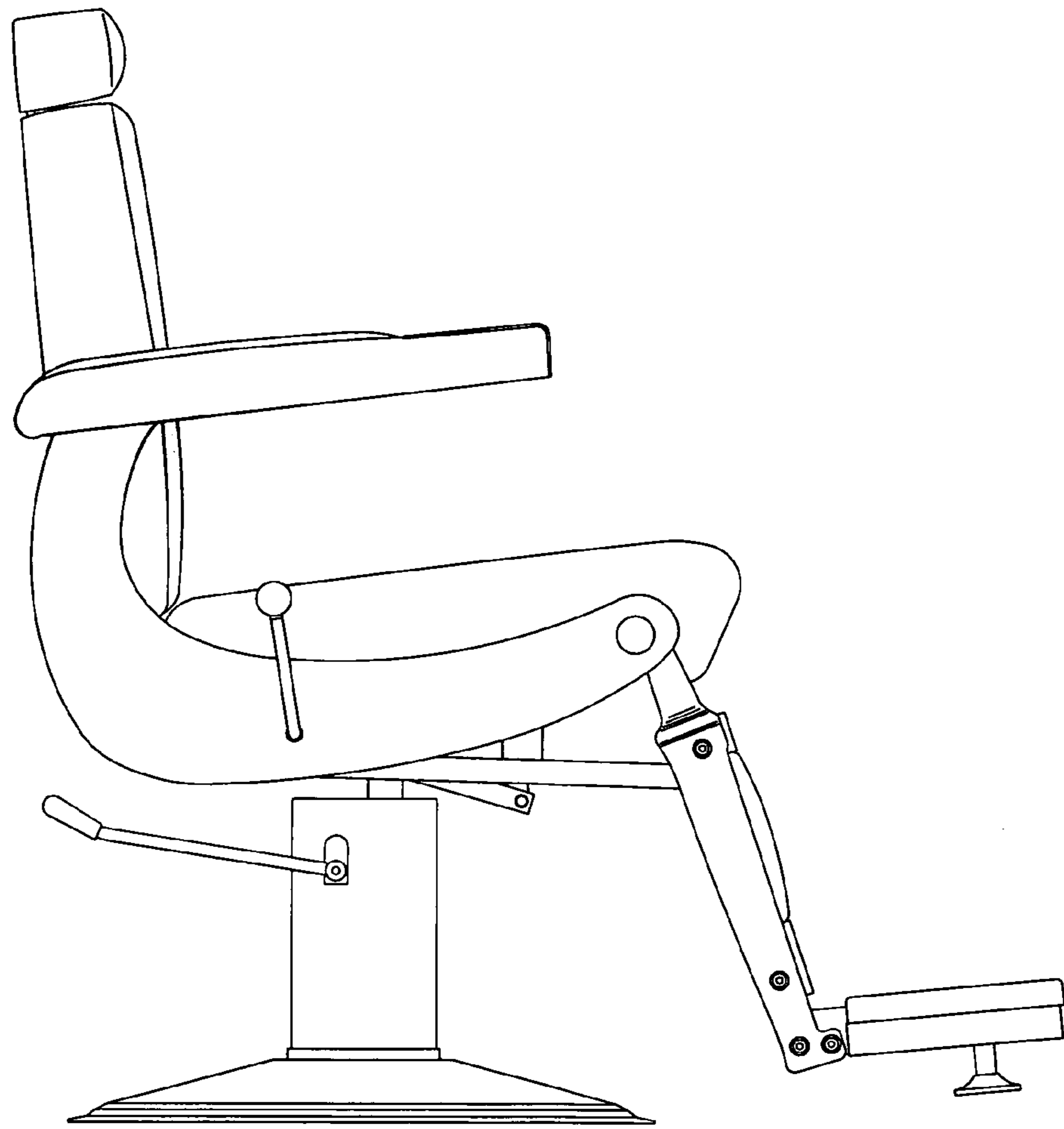


FIG. 2

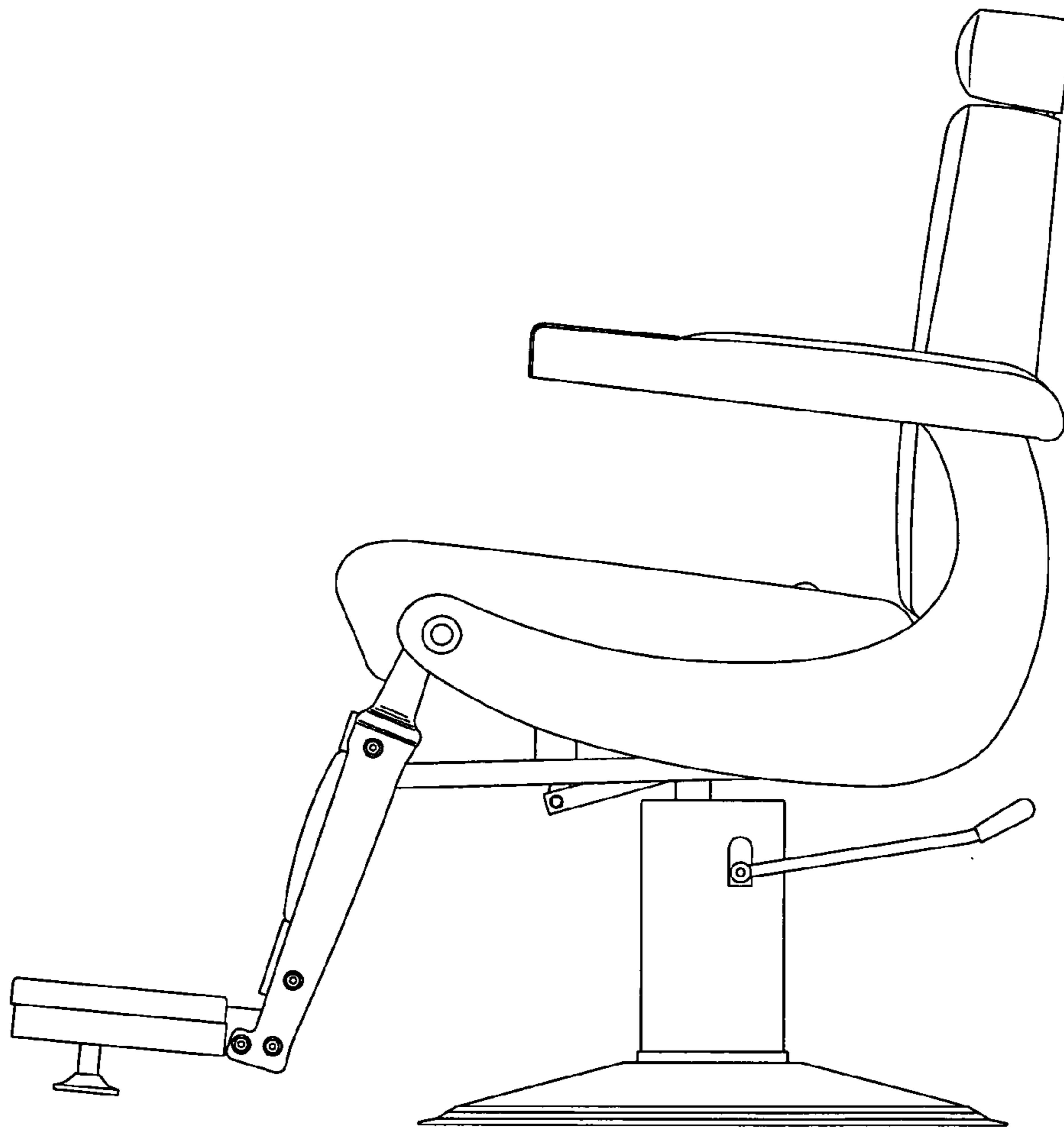
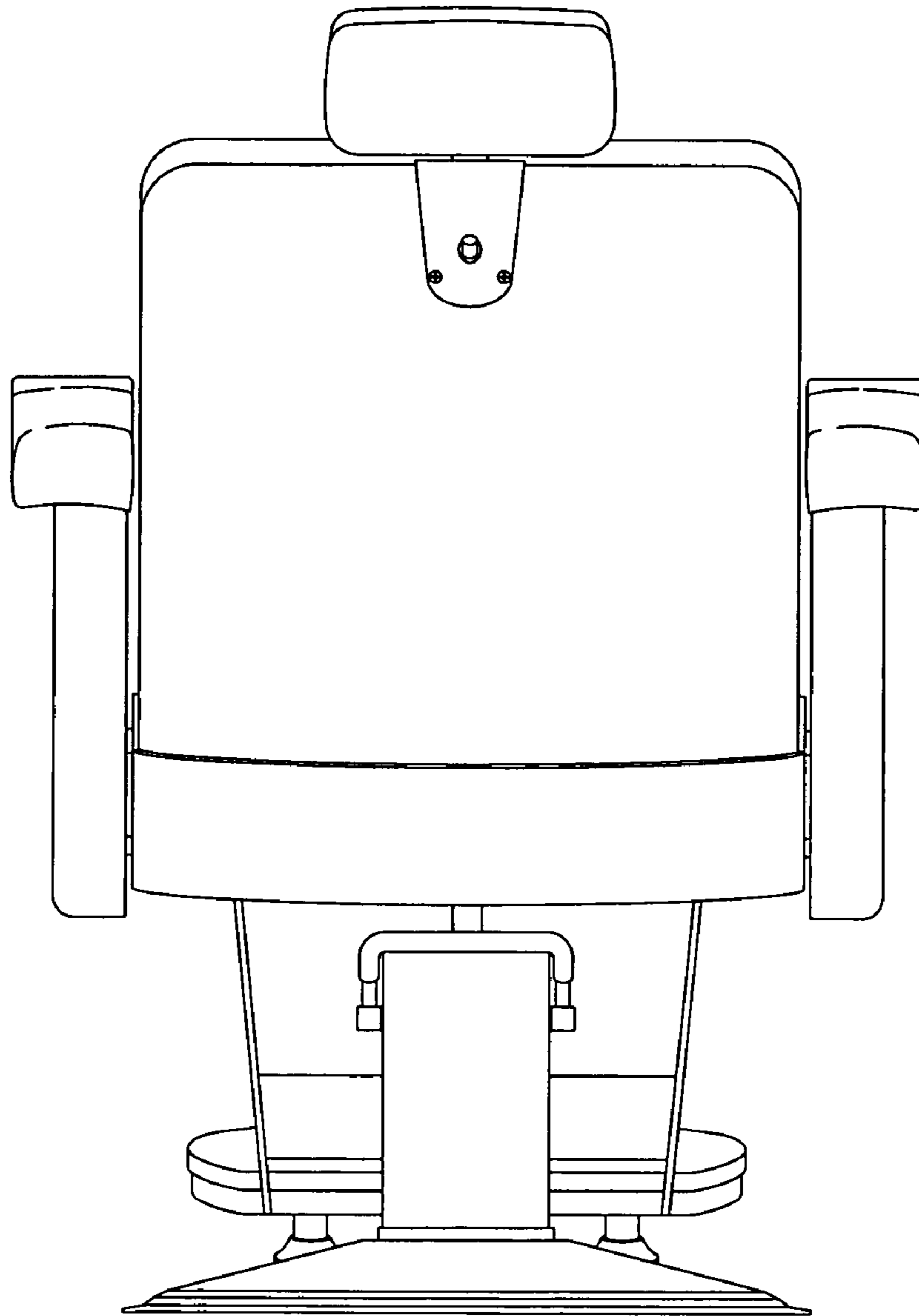
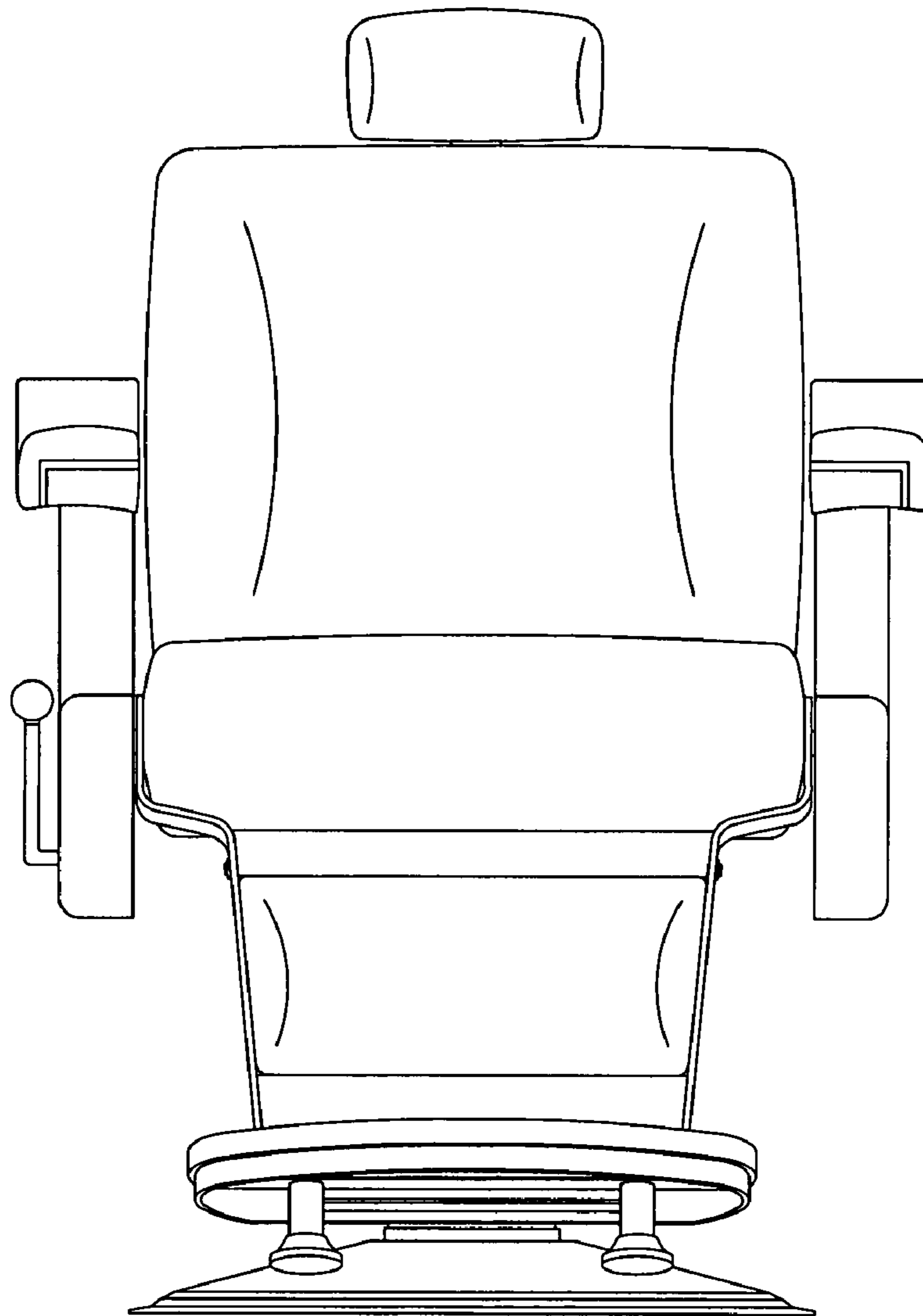


FIG. 3



**FIG. 4**



**FIG. 5**

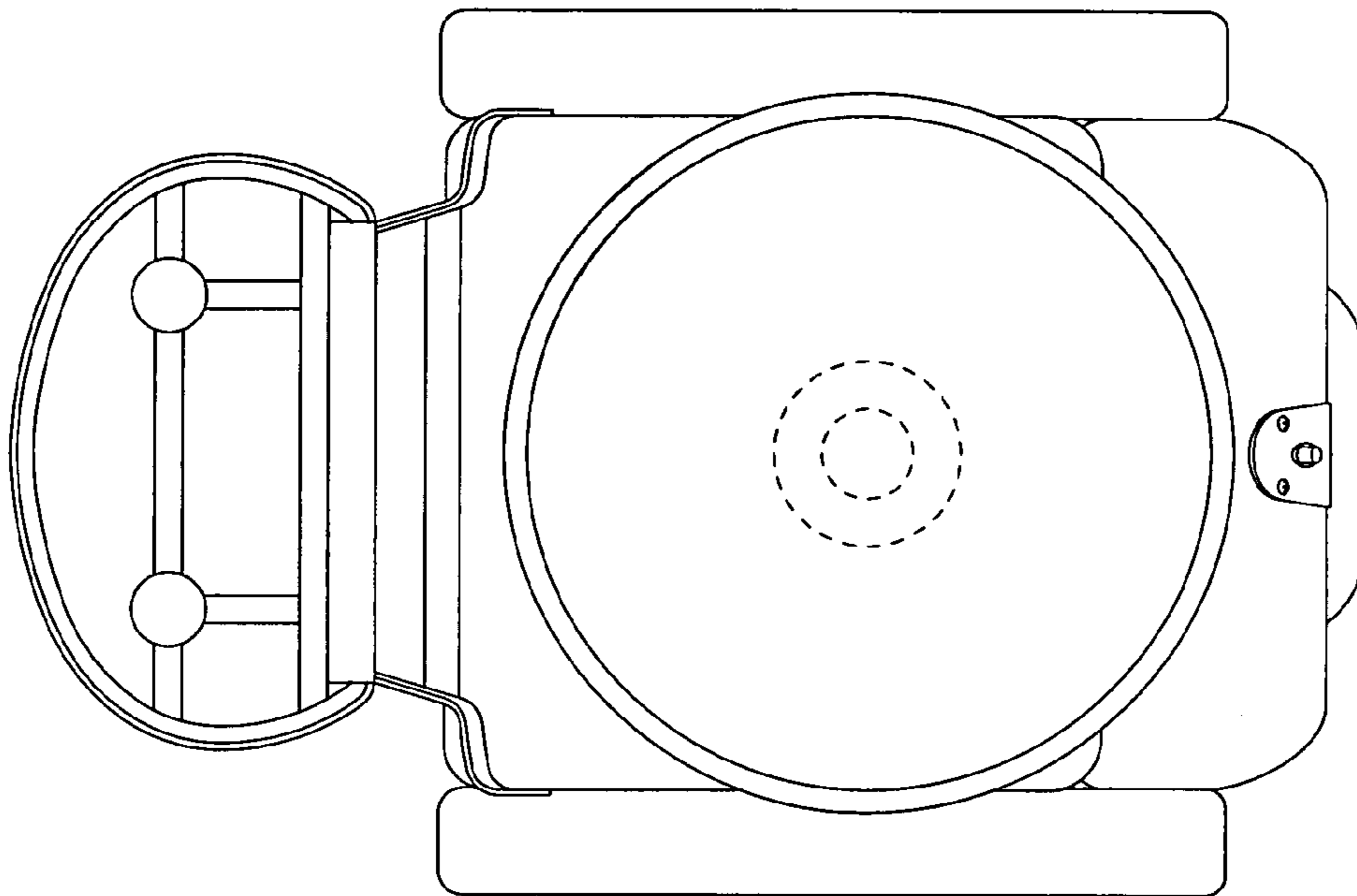
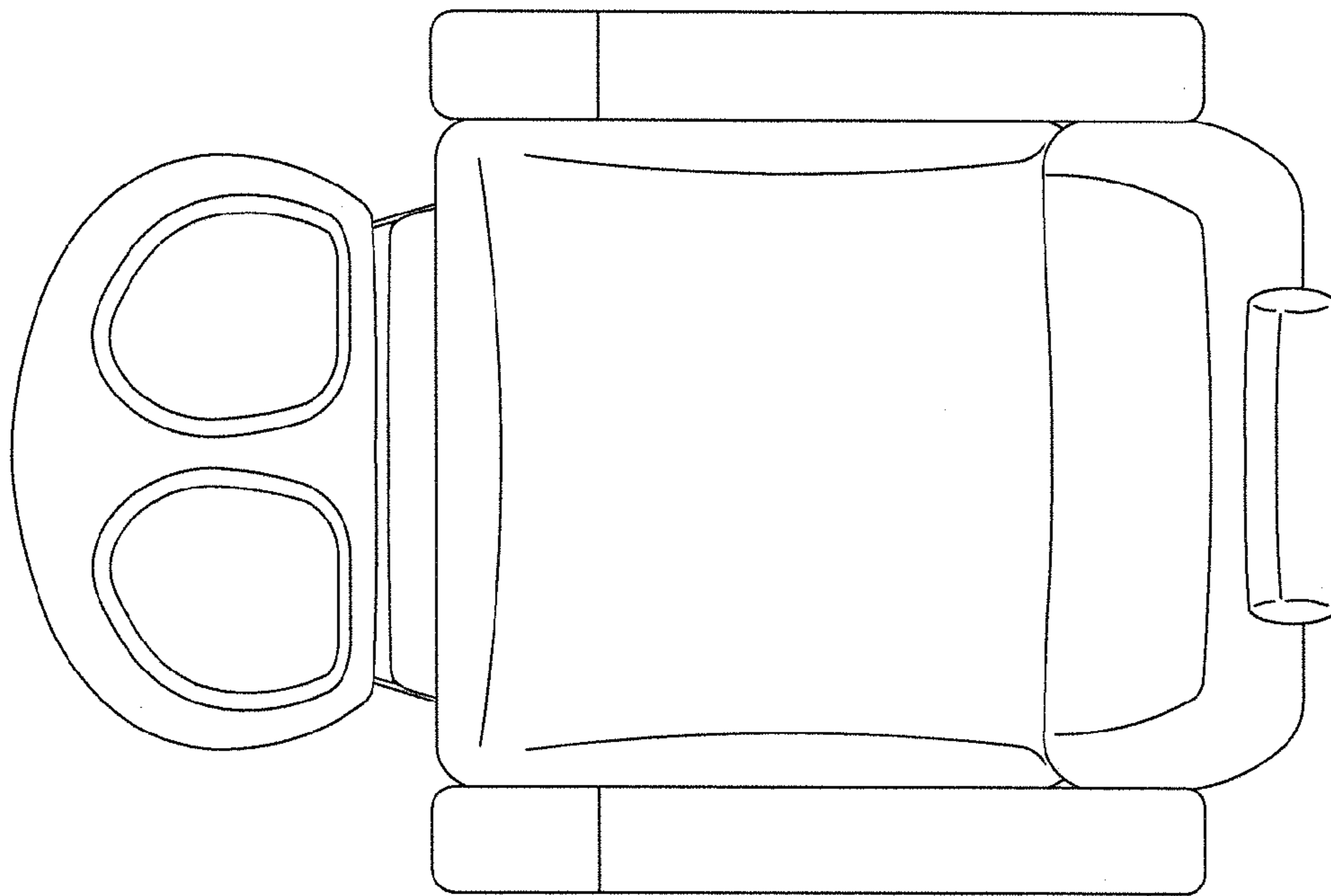


FIG. 6



**FIG. 7**



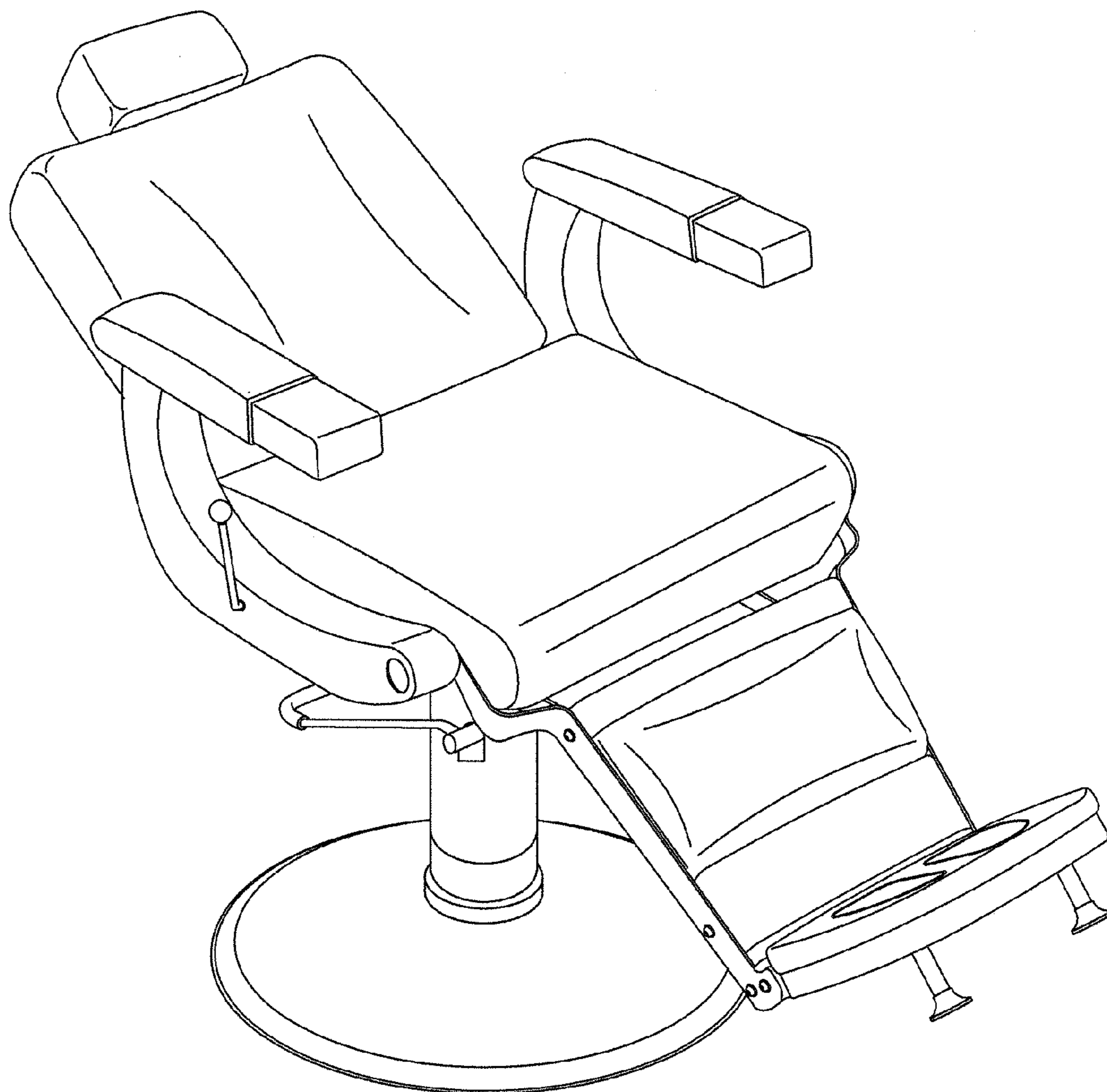


FIG. 8