



US00D651422S

(12) **United States Design Patent**
Unterrainer et al.

(10) **Patent No.:** **US D651,422 S**
(45) **Date of Patent:** **** *Jan. 3, 2012**

(54) **STOOL**

(75) Inventors: **Emil Unterrainer**, Ellmau (AT); **Gregor Unterrainer**, Kitzbühel (AT)

(73) Assignee: **Unterrainer, Emil, BSC.**, Ellmau (AT)

(*) Notice: This patent is subject to a terminal disclaimer.

(**) Term: **14 Years**

(21) Appl. No.: **29/351,852**

(22) Filed: **Dec. 11, 2009**

(51) **LOC (9) Cl.** **06-01**

(52) **U.S. Cl.** **D6/349**

(58) **Field of Classification Search** D6/340,
D6/349-354, 355, 491, 492, 500-502; 297/16.1,
297/16.2, 175, 181, 186, 187, 195.1, 215.16,
297/440.12, 461, 462, DIG. 2

See application file for complete search history.

(56) **References Cited**

U.S. PATENT DOCUMENTS

D187,799 S * 5/1960 Refneman D6/495
D194,037 S * 11/1962 Saarinen D6/495
D218,421 S * 8/1970 Crandall D6/495

D218,422 S * 8/1970 Crandall D6/495
D236,300 S * 8/1975 Hartlinger D6/351
D238,726 S * 2/1976 Lobik D6/417
D245,954 S * 10/1977 Tosaw D6/335
D261,450 S * 10/1981 Jenkins D6/354
D269,291 S * 6/1983 Hofer et al. D23/366
4,676,547 A * 6/1987 Spillman 297/4
D365,695 S * 1/1996 Sibbitt, Sr. D6/364
D428,721 S * 8/2000 Jenkins D6/364
D436,270 S * 1/2001 Kane D6/486
D483,959 S * 12/2003 Howard et al. D6/364
D578,806 S * 10/2008 Lievore D6/486
D581,705 S * 12/2008 Li D6/486

* cited by examiner

Primary Examiner — Sandra Snapp

(74) *Attorney, Agent, or Firm* — Sughrue Mion, PLLC

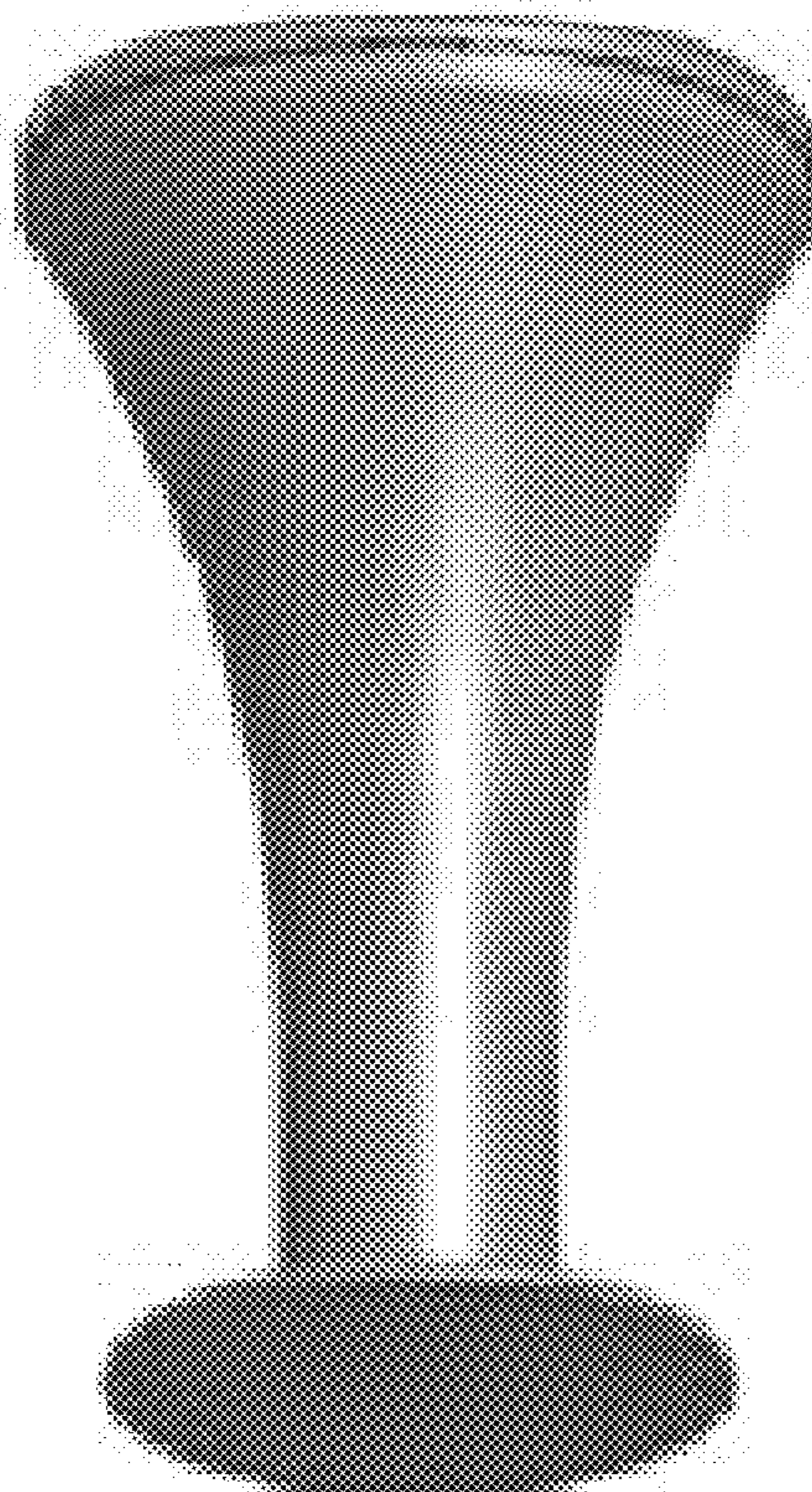
(57) **CLAIM**

The ornamental design for stool, as shown.

DESCRIPTION

FIG. 1 is a top perspective view of the claimed stool; FIG. 2 is a bottom perspective view of the stool; and, FIG. 3 is a front view of the stool.

1 Claim, 3 Drawing Sheets



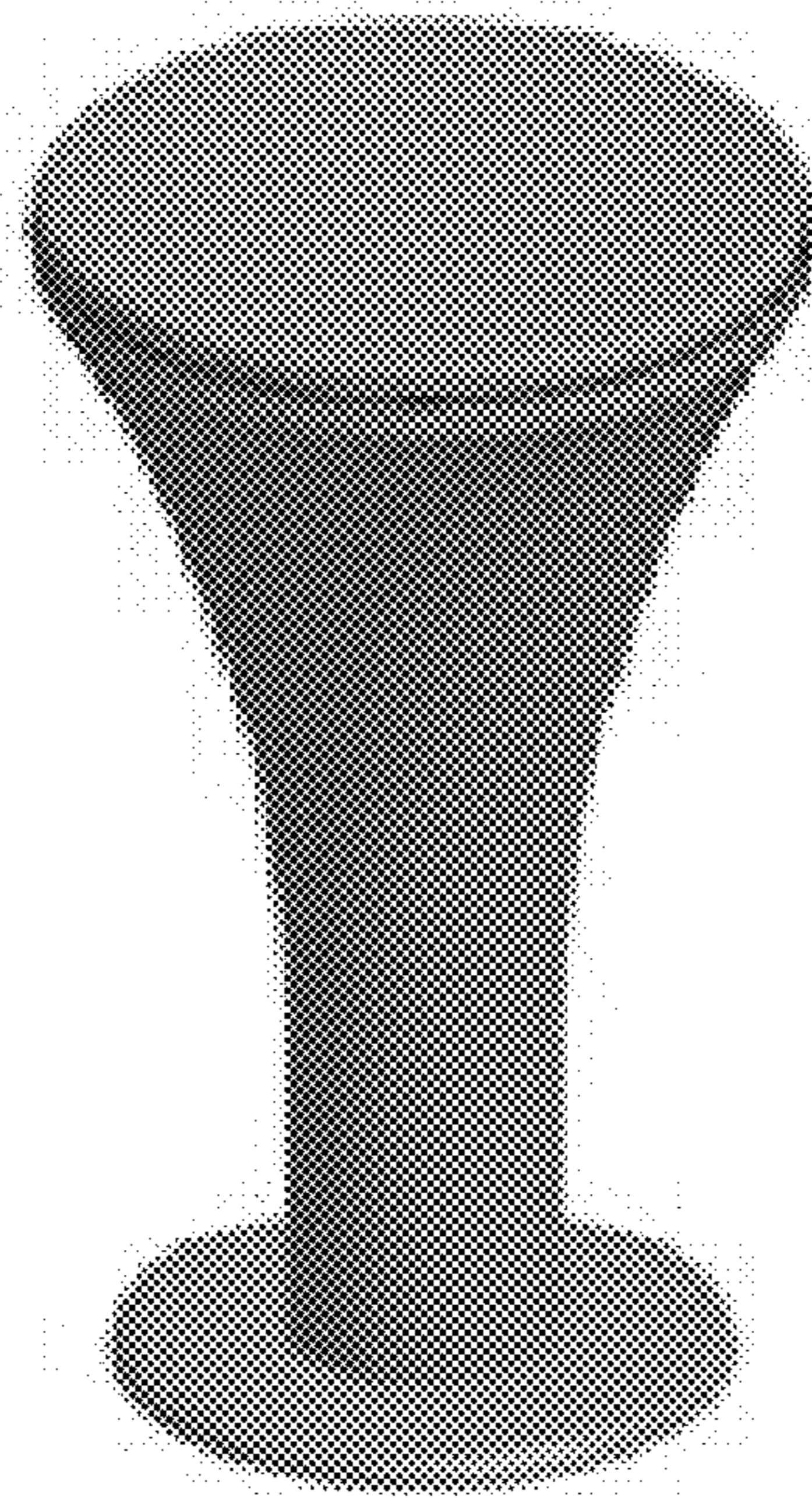


FIG. 1

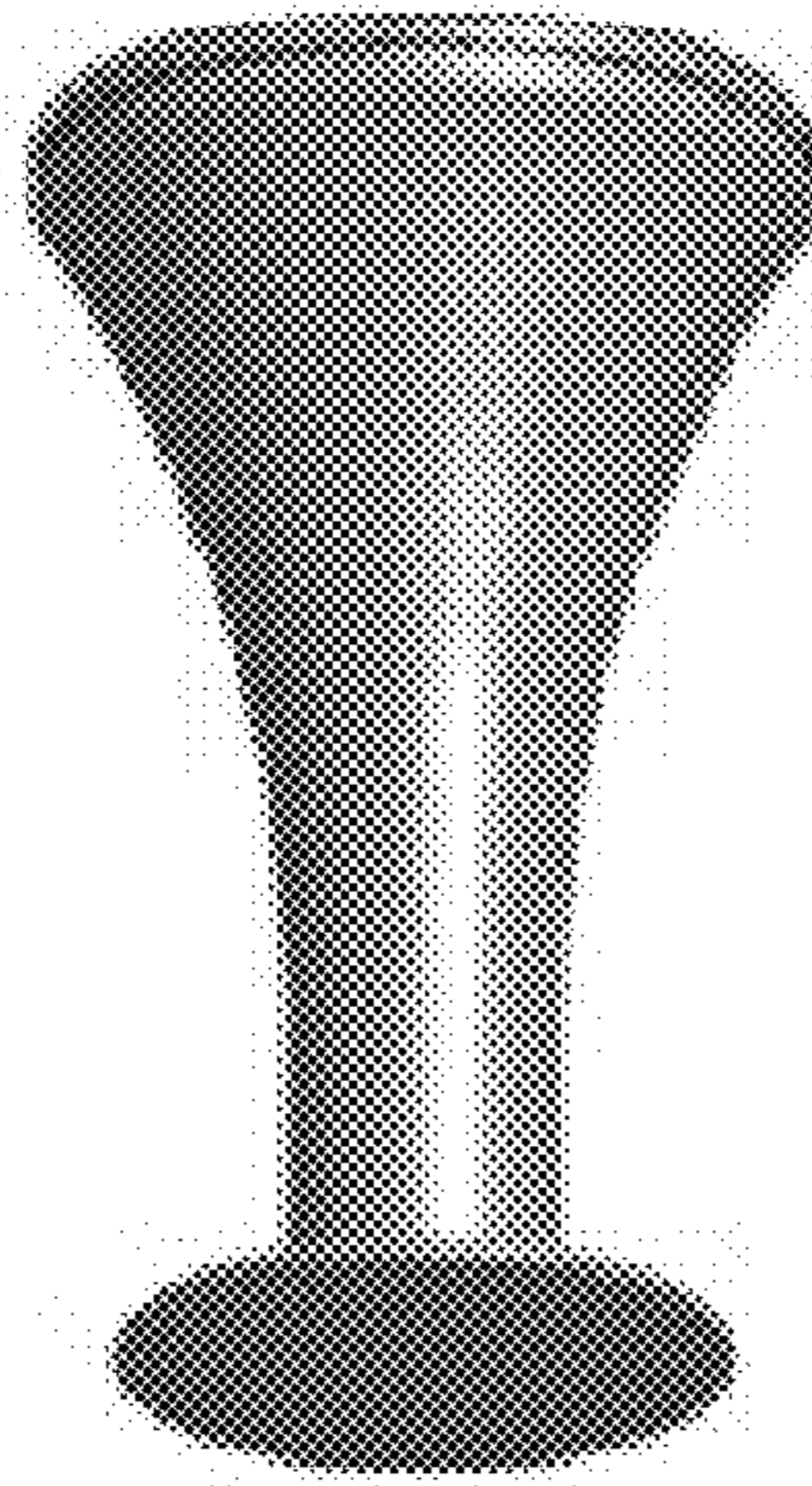


FIG. 2

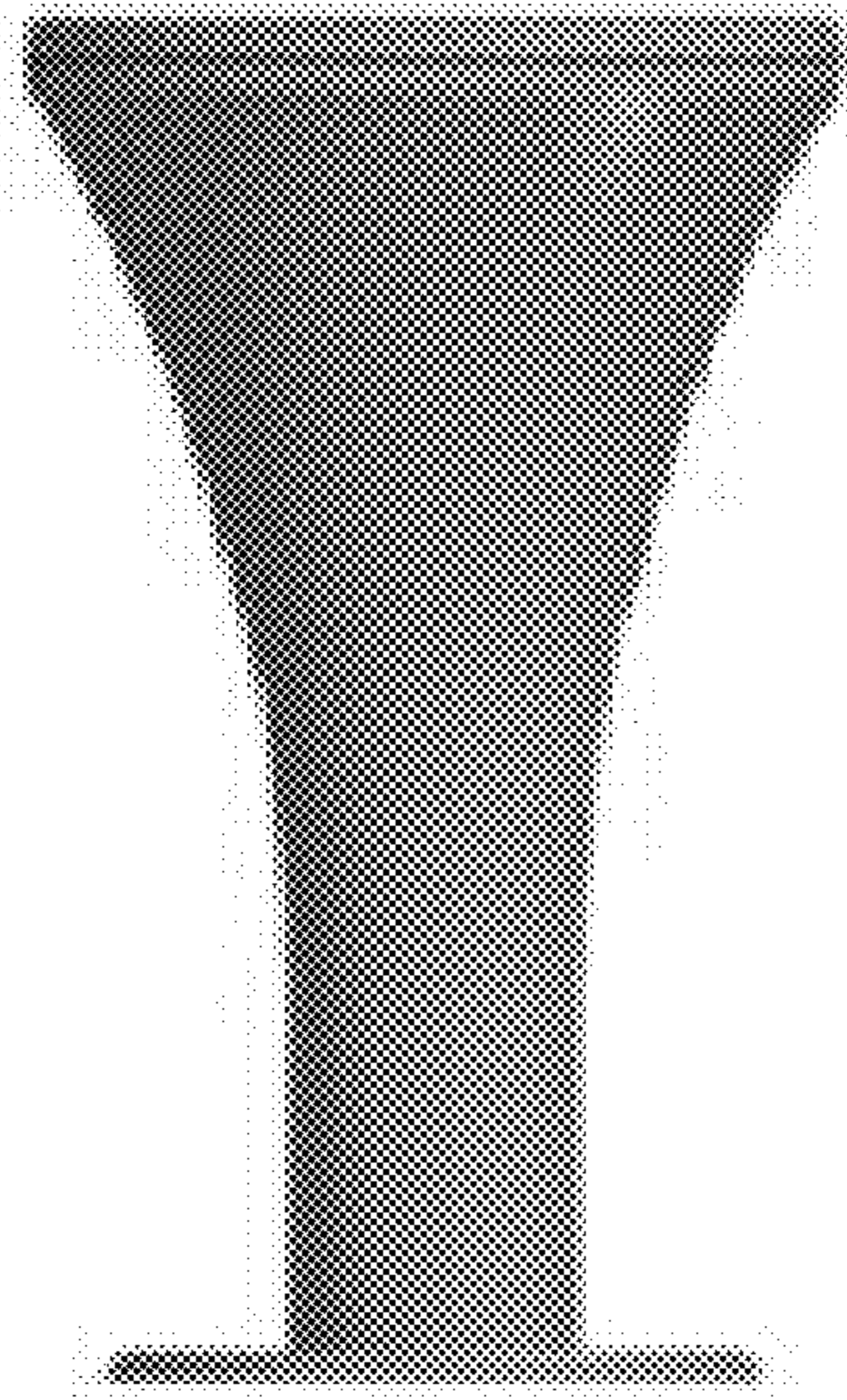


FIG. 3