



US00D651420S

(12) **United States Design Patent**
Lievore

(10) **Patent No.:** **US D651,420 S**
(45) **Date of Patent:** **** Jan. 3, 2012**

(54) **ARMCHAIR**

(75) **Inventor:** **Alberto Lievore**, Monastier di Treviso (IT)

(73) **Assignee:** **Arper S.p.A.**, Monastier di Treviso, Treviso (IT)

(**) **Term:** **14 Years**

(21) **Appl. No.:** **29/353,461**

(22) **Filed:** **Jan. 8, 2010**

(30) **Foreign Application Priority Data**

Jul. 17, 2009 (WO) 504832801

(51) **LOC (9) Cl.** **06-01**

(52) **U.S. Cl.** **D6/334**

(58) **Field of Classification Search** D6/334,
D6/335, 337, 349, 353, 380, 381, 500-502,
D6/374; 297/14, 43, 44, 118, 140, 245, 300.1,
297/311, 353, 354.1, 445.1, 446.1, 446.2,
297/447.4, 465, 900, DIG. 2, DIG. 7; 5/12.1,
5/12.2

See application file for complete search history.

(56) **References Cited**

U.S. PATENT DOCUMENTS

579,217 A * 3/1897 Booth 242/538.2
D422,422 S * 4/2000 Black D6/369

D431,118 S * 9/2000 Hutton D6/334
D465,341 S * 11/2002 Hutton D6/334
D465,662 S * 11/2002 Hutton D6/334
D488,933 S * 4/2004 Neggers D6/334
D504,782 S * 5/2005 Moser D6/334
D506,092 S * 6/2005 Moser D6/492
D536,541 S * 2/2007 Kreiss D6/334
D550,465 S * 9/2007 Bouroullec et al. D6/334
D560,076 S * 1/2008 Moser D6/381
D580,664 S * 11/2008 Cramer et al. D6/334
D586,131 S * 2/2009 Cramer et al. D6/334
D603,613 S * 11/2009 Wilson D6/334

* cited by examiner

Primary Examiner — Sandra Snapp

(74) *Attorney, Agent, or Firm* — Shoemaker and Mattare

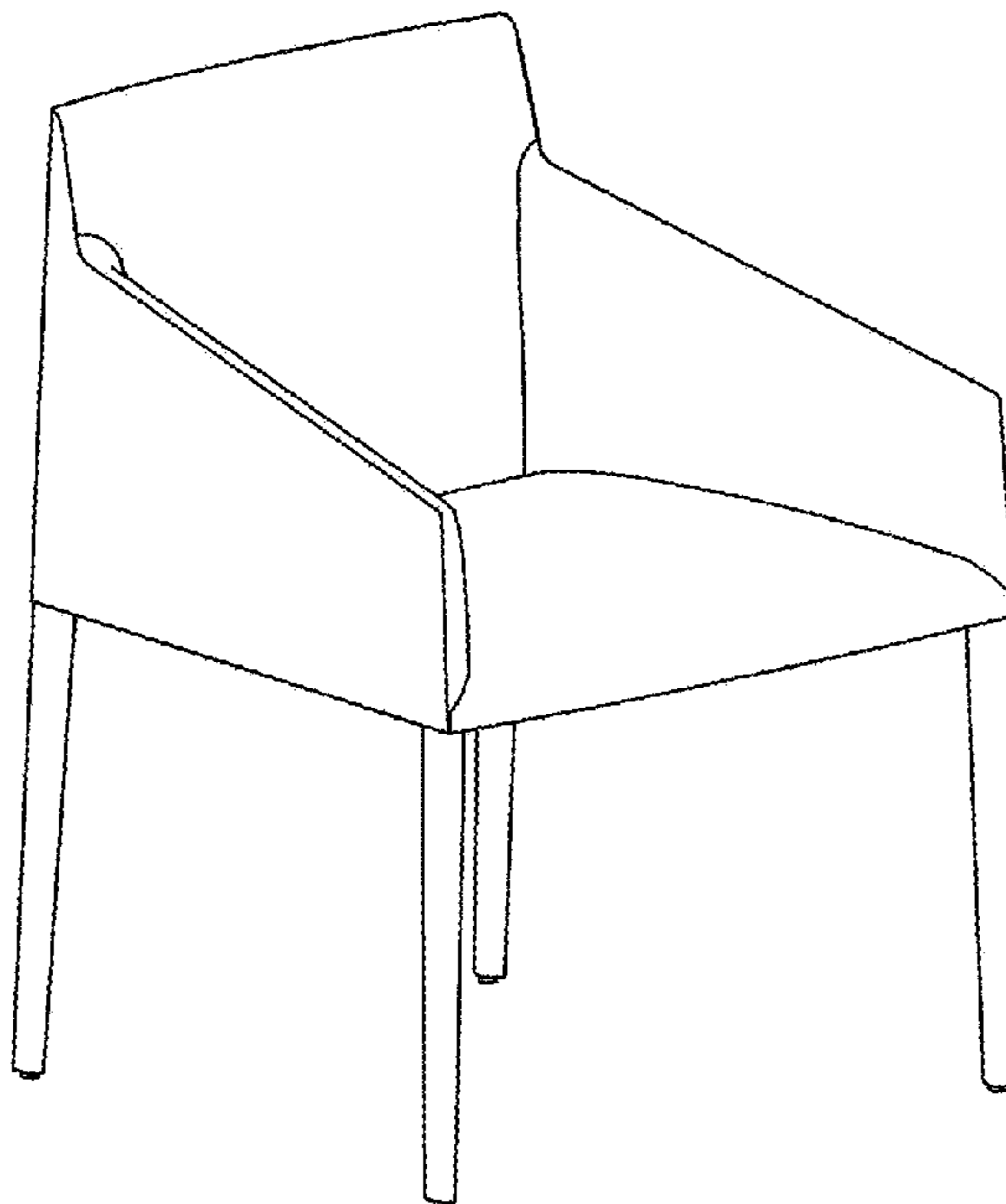
(57) **CLAIM**

The ornamental design for an armchair, as shown and described.

DESCRIPTION

FIG. 1 is a perspective view of an armchair, showing my new design from the front, top and right side;
FIG. 2 is a right side elevational view thereof;
FIG. 3 is a left side elevational view thereof;
FIG. 4 is a front elevational view thereof;
FIG. 5 is a rear elevational view thereof;
FIG. 6 is a top plan view thereof; and,
FIG. 7 is a bottom plan view thereof.

1 Claim, 7 Drawing Sheets



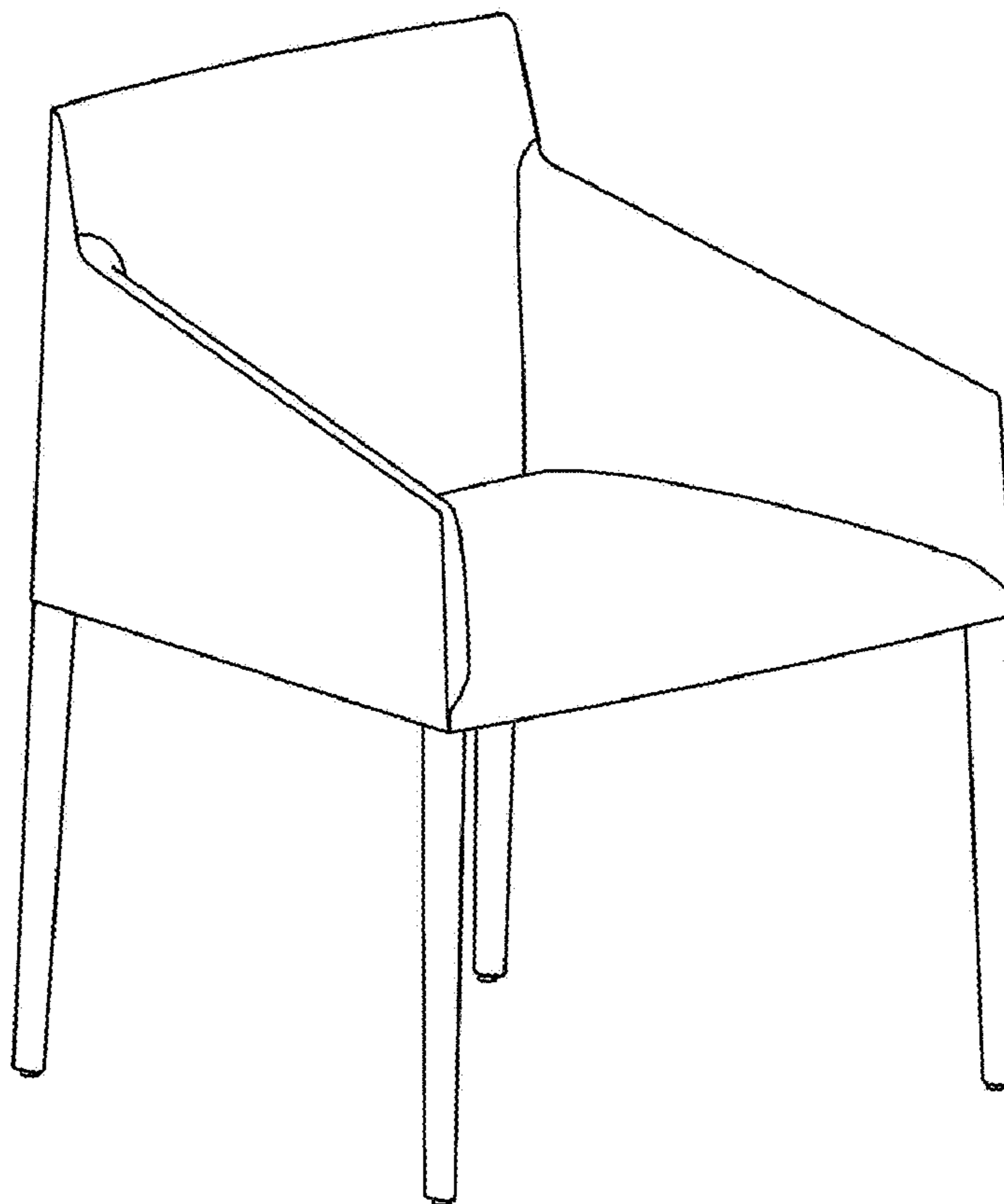


Fig. 1

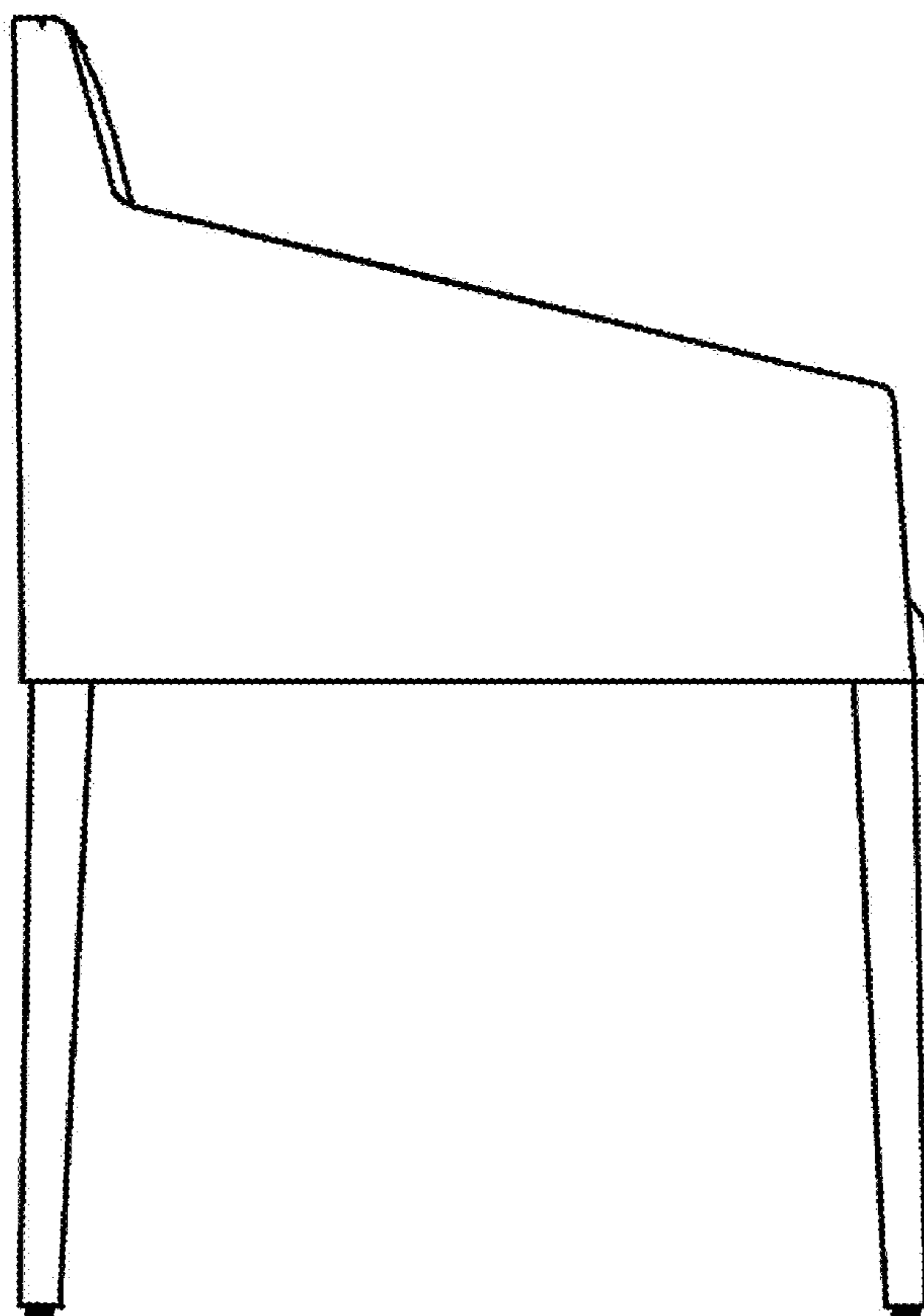


Fig. 2

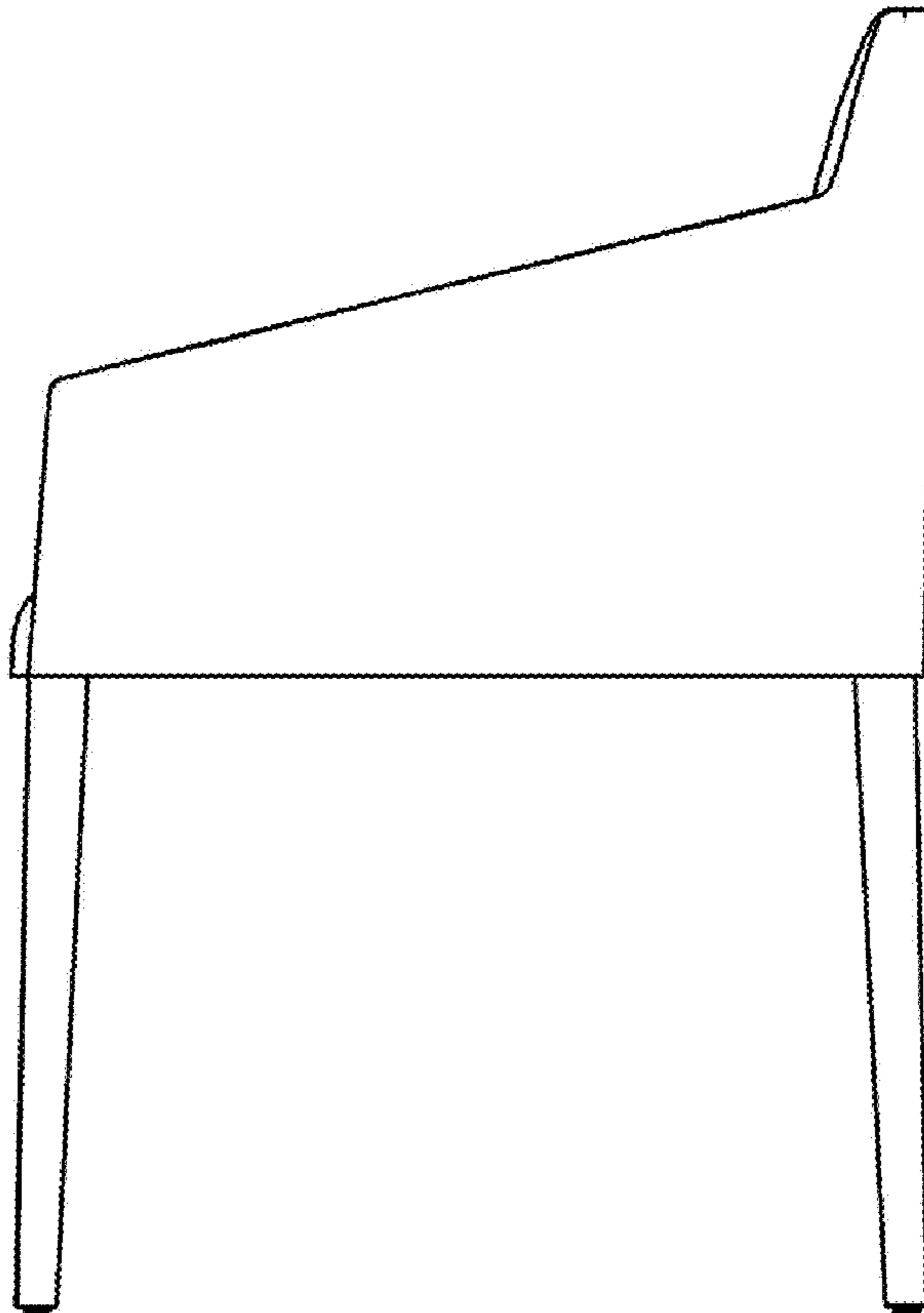


Fig. 3

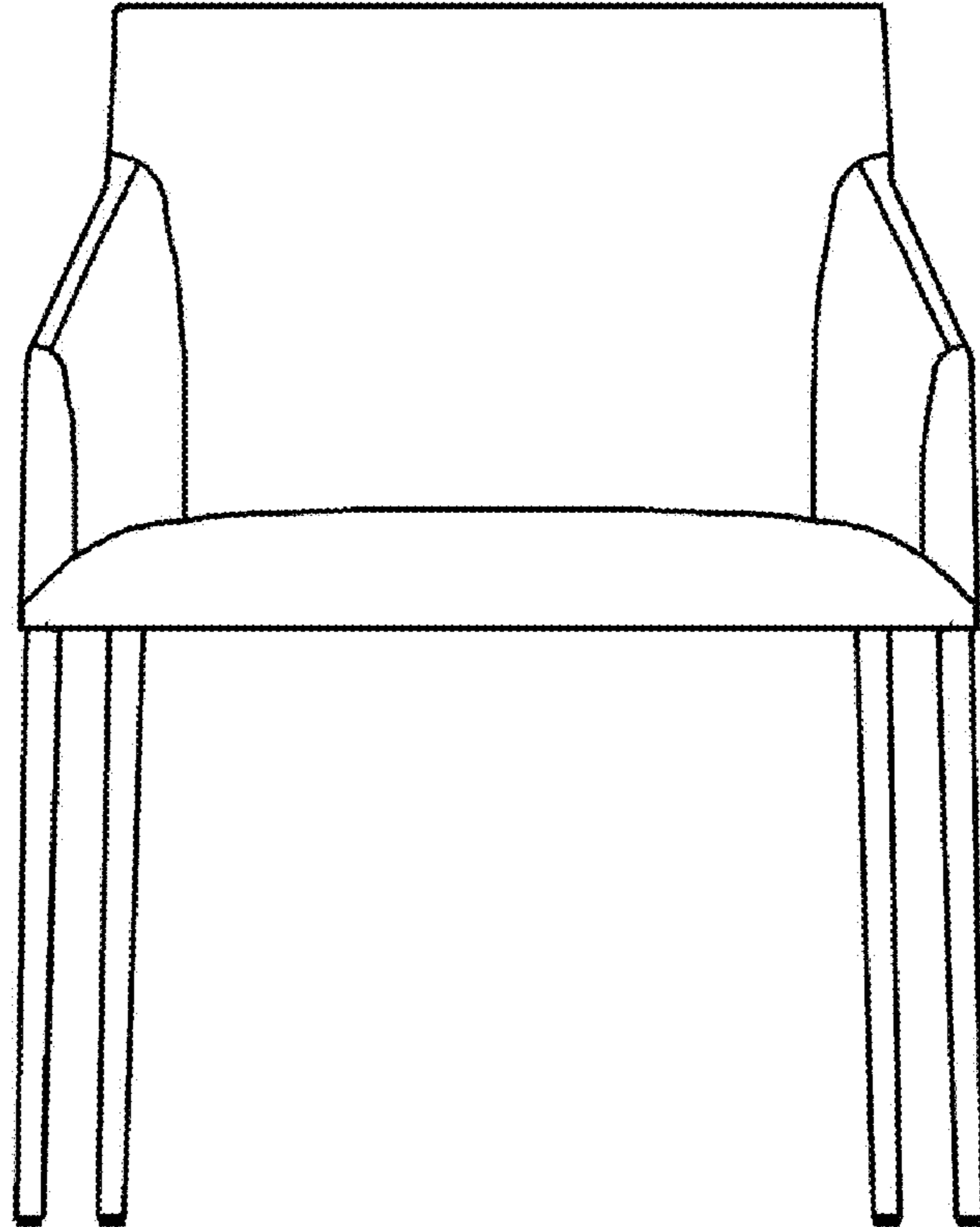


Fig. 4

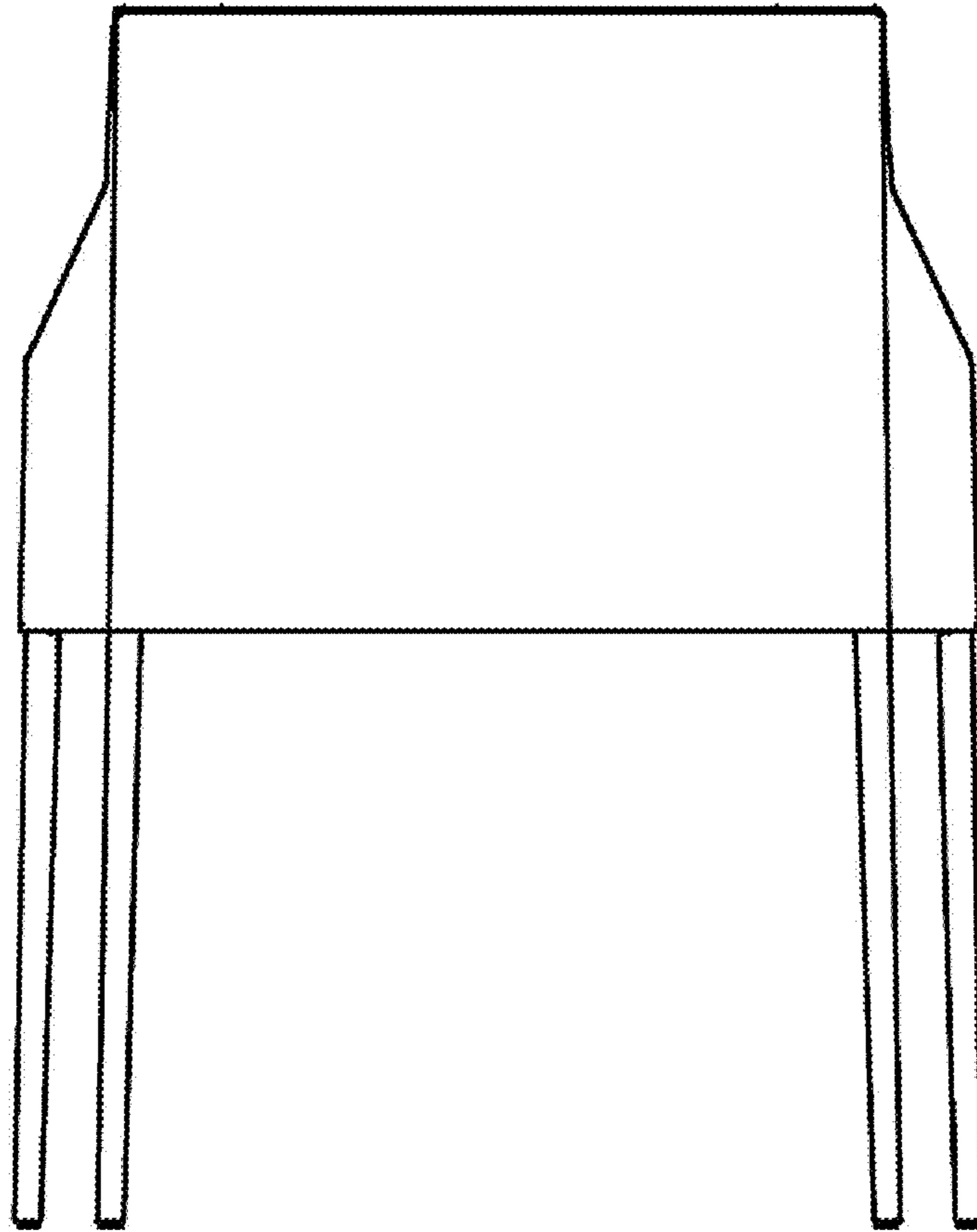


Fig. 5

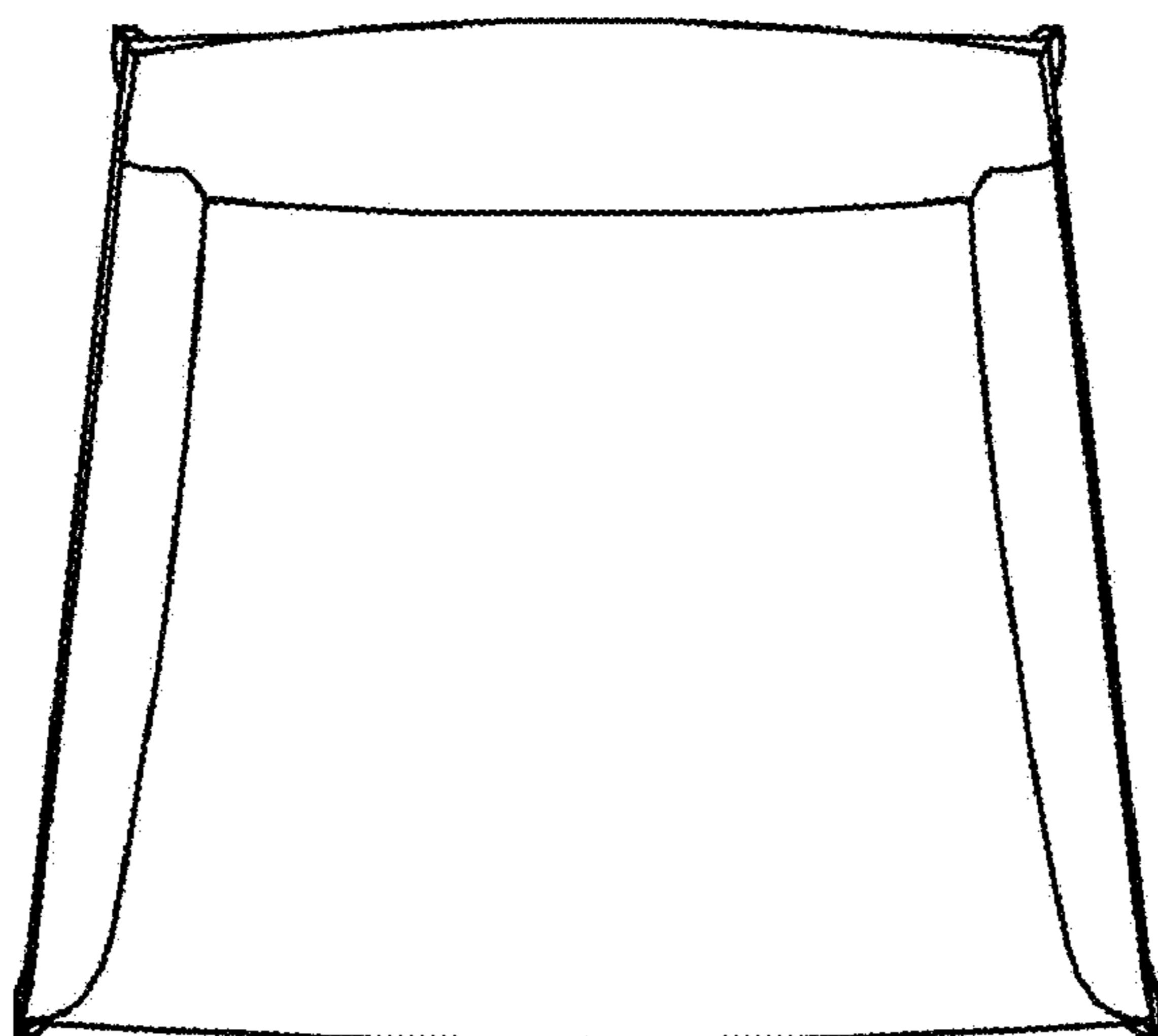


Fig. 6

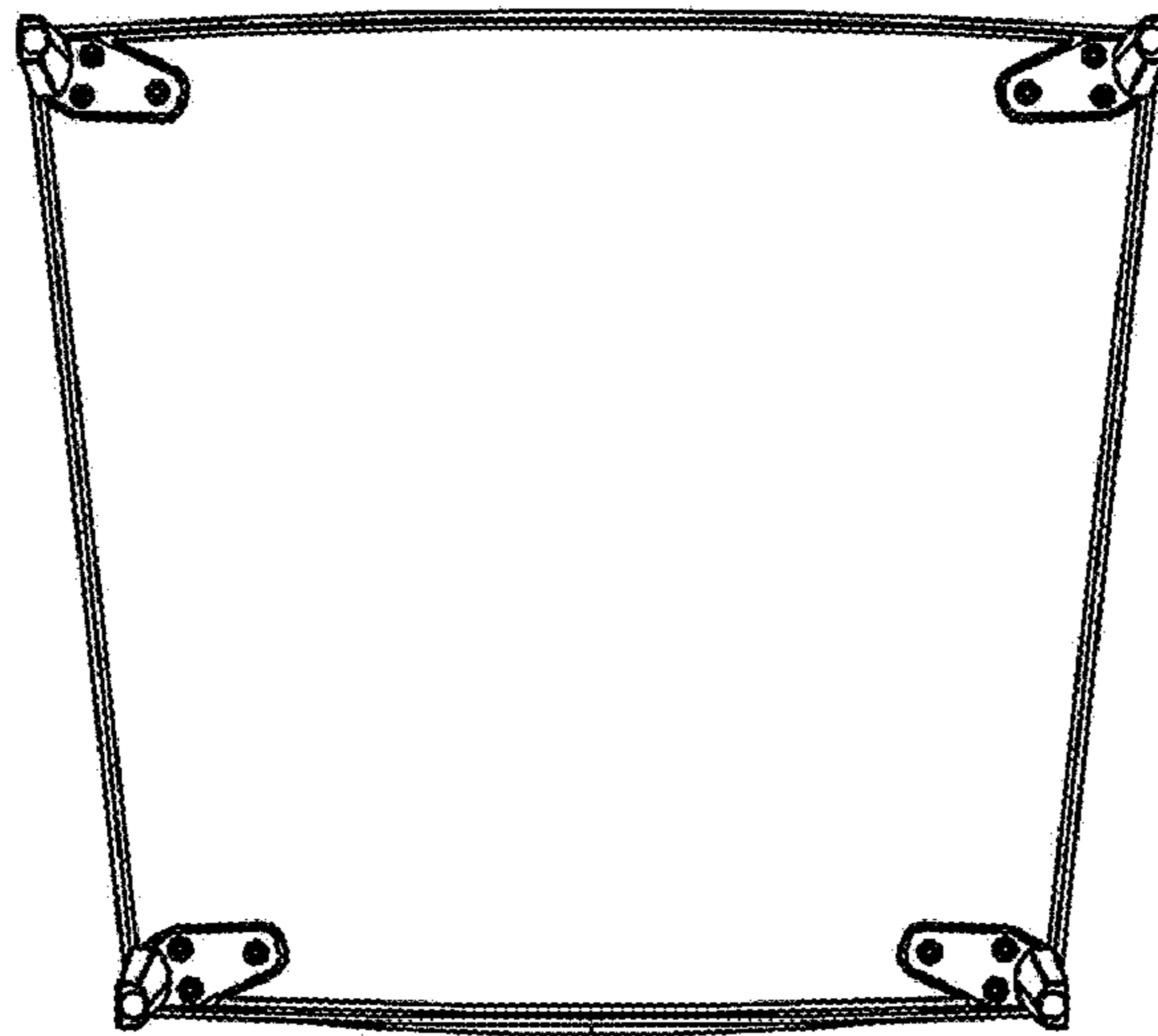


Fig. 7