



US00D651415S

(12) **United States Design Patent**  
**Noe et al.**

(10) **Patent No.:** **US D651,415 S**  
(45) **Date of Patent:** **\*\* Jan. 3, 2012**

(54) **VALET ROD**

(75) Inventors: **David P. Noe**, Jeffersontown, KY (US);  
**Kevin M. Ward, Jr.**, Louisville, KY  
(US)

(73) Assignee: **Rev-A-Shelf Company, LLC**,  
Jeffersontown, KY (US)

(\*\*) Term: **14 Years**

(21) Appl. No.: **29/399,185**

(22) Filed: **Aug. 10, 2011**

**Related U.S. Application Data**

(62) Division of application No. 29/319,050, filed on Jun. 3,  
2008.

(51) **LOC (9) Cl.** ..... **06-08**

(52) **U.S. Cl.** ..... **D6/323; D6/324; D8/339**

(58) **Field of Classification Search** ..... D6/315-328,  
D6/512, 513; D8/339, 343, 349; 211/94.01-94.03,  
211/103, 119, 123, 124, 102, 182; 292/259 R,  
292/282, 288, 292

See application file for complete search history.

(56) **References Cited**

**U.S. PATENT DOCUMENTS**

2,499,159 A \* 2/1950 Pestynier ..... 211/96  
2,642,194 A \* 6/1953 Boltauzer ..... 211/104

3,897,122 A *	7/1975	McEvers	.....	312/321
4,027,934 A *	6/1977	Wiser	.....	312/321
4,367,819 A *	1/1983	Lewis	.....	211/59.1
D286,964 S *	12/1986	Gecchelin	.....	D6/569
4,834,248 A *	5/1989	Lee	.....	211/85.3
D324,783 S *	3/1992	Greenhut et al.	.....	D6/323
5,425,463 A *	6/1995	Toscanini et al.	.....	211/96
D411,701 S *	6/1999	Klein et al.	.....	D6/513
D441,966 S *	5/2001	Lai	.....	D6/316
D555,366 S *	11/2007	Goodman et al.	.....	D6/323
D632,946 S *	2/2011	Hartgens	.....	D8/339

\* cited by examiner

*Primary Examiner* — Prabhakar Deshmukh

(74) *Attorney, Agent, or Firm* — Brinks Hofer Gilson &  
Lione

(57) **CLAIM**

We claim the ornamental design for a valet rod, as shown and  
described.

**DESCRIPTION**

FIG. 1 is a perspective view of a valet rod showing our new  
design;

FIG. 2 is a right side elevational view thereof, shown in  
recessed position;

FIG. 3 is a left side elevational view thereof;

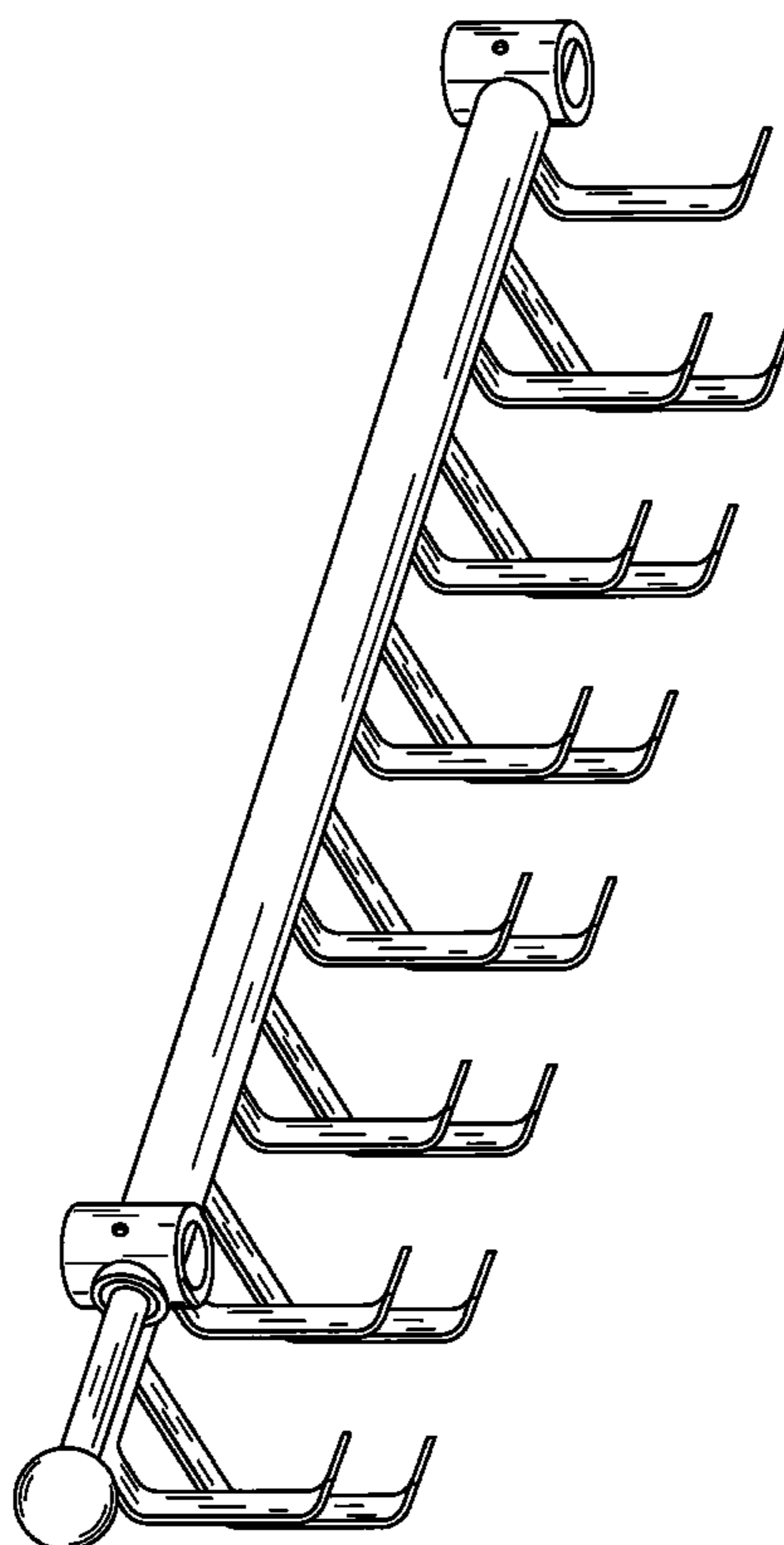
FIG. 4 is a top plan view thereof;

FIG. 5 is a bottom plan view thereof;

FIG. 6 is an enlarged rear elevational view thereof; and,

FIG. 7 is an enlarged front elevational view thereof.

**1 Claim, 6 Drawing Sheets**



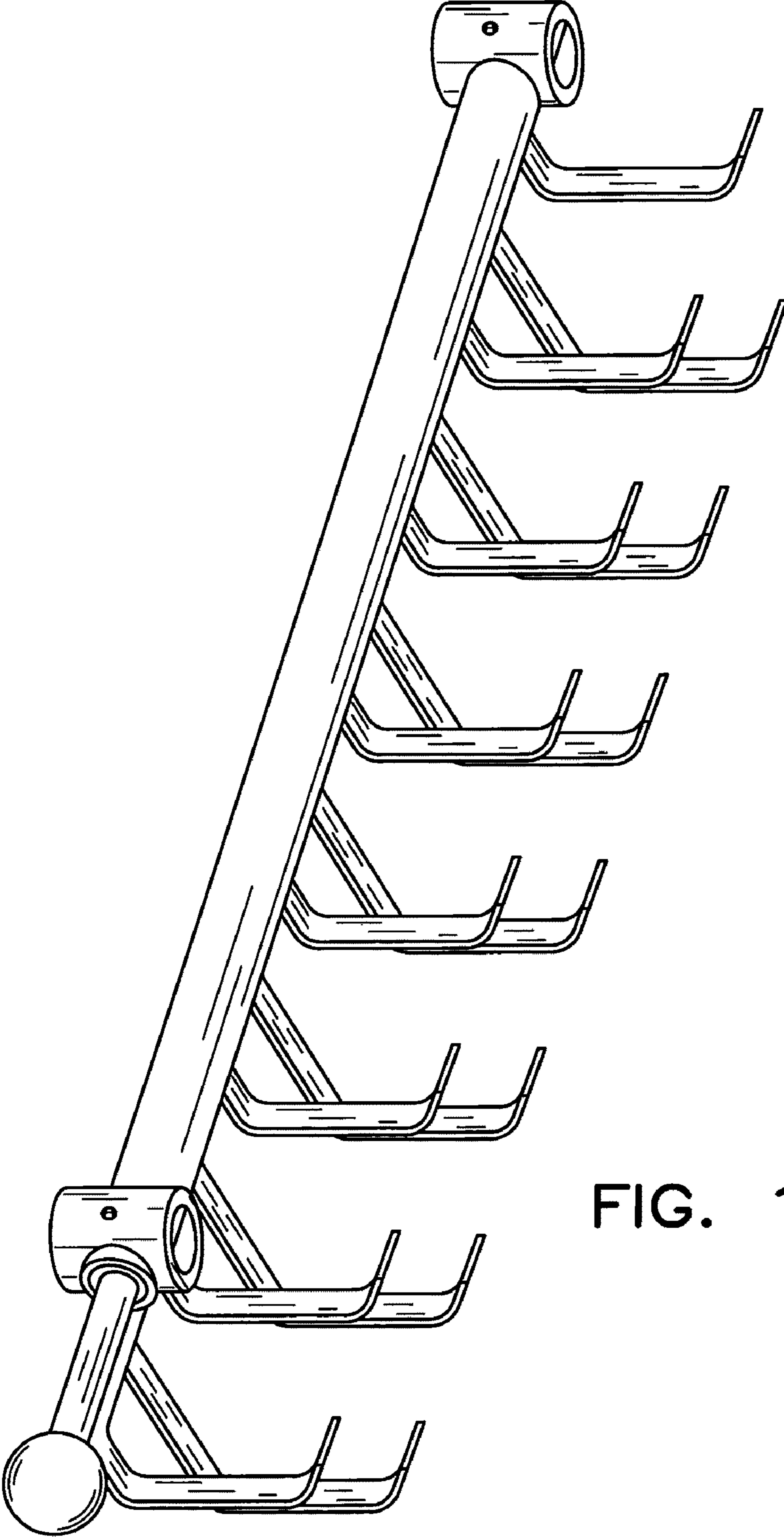


FIG. 1

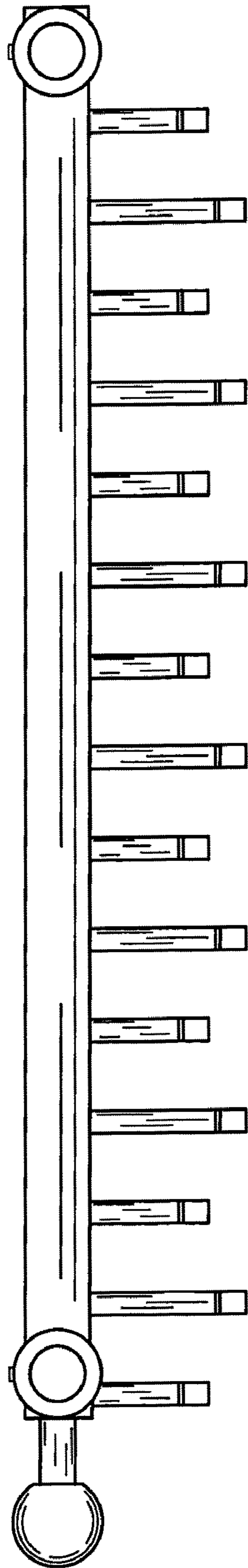


FIG. 2

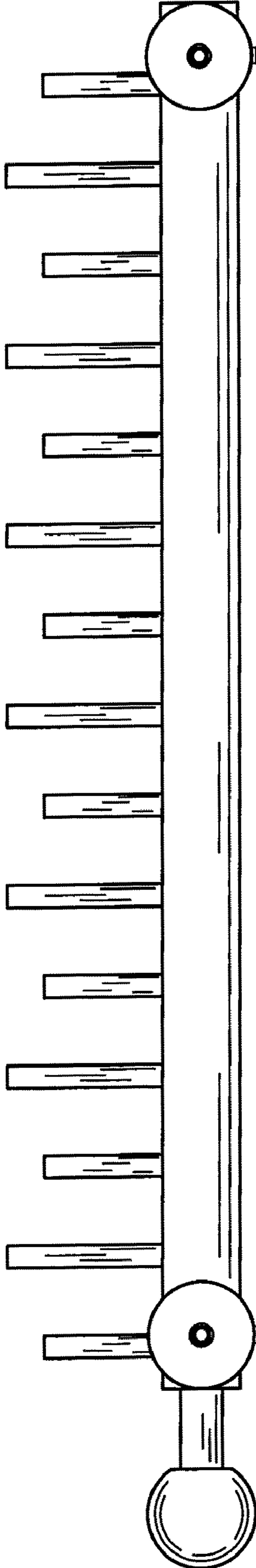


FIG. 3

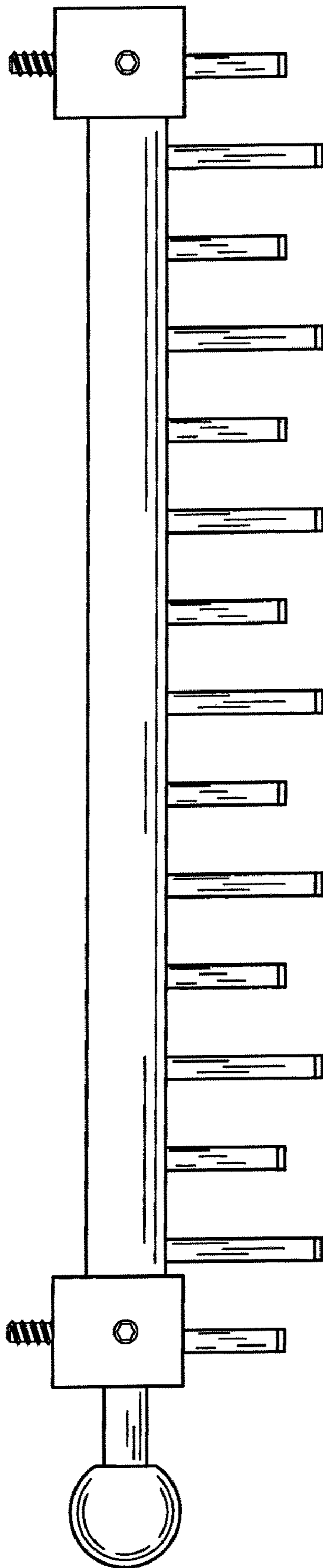


FIG. 4

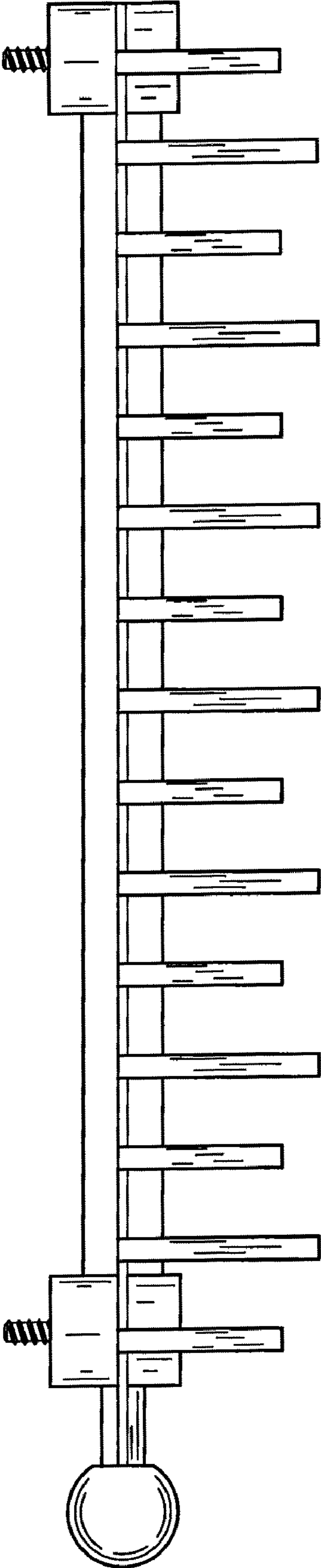


FIG. 5

FIG. 6

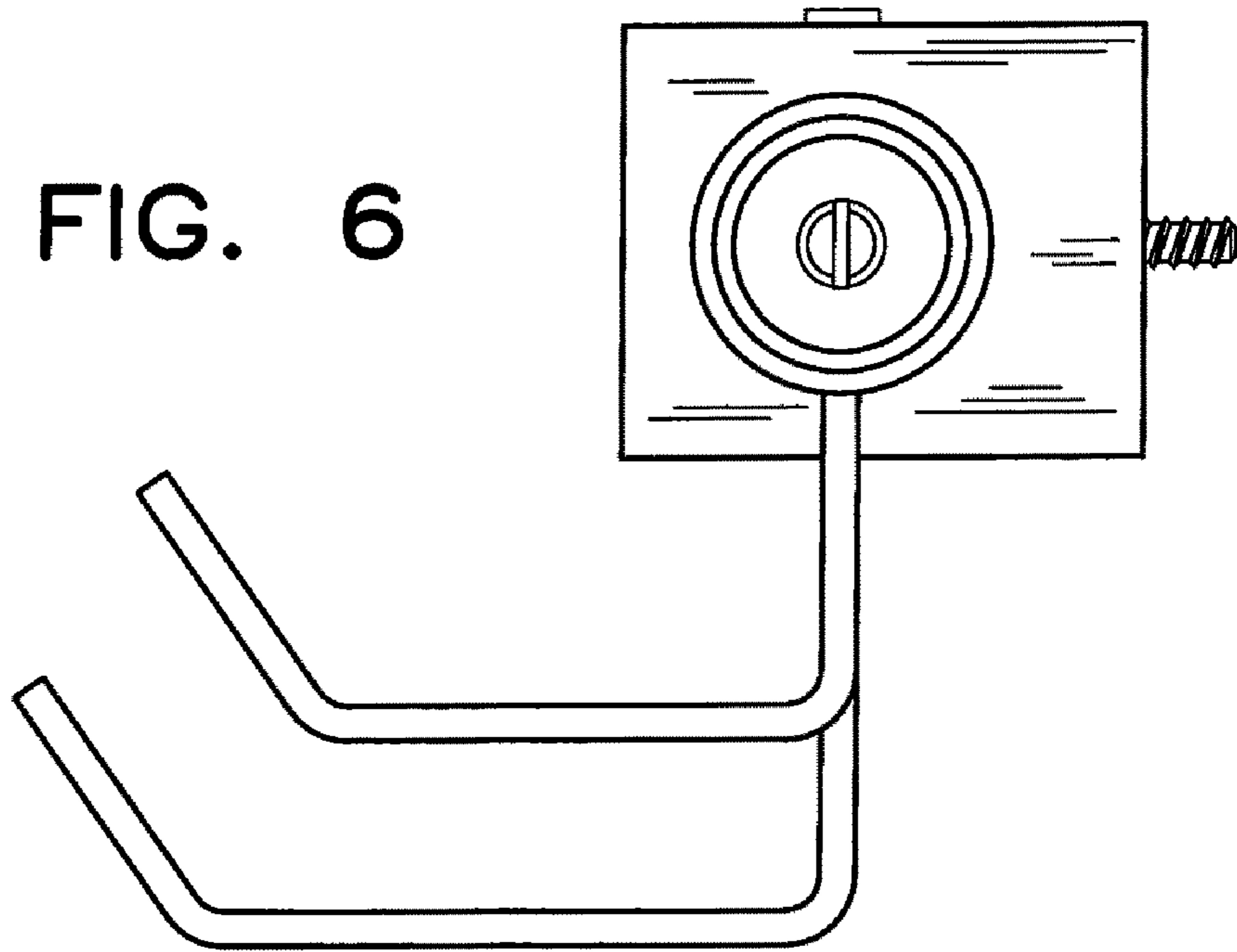


FIG. 7

