



US00D651413S

(12) **United States Design Patent**
Smith et al.

(10) **Patent No.:** **US D651,413 S**
(45) **Date of Patent:** **** Jan. 3, 2012**

(54) **WALL MOUNT**

(75) Inventors: **Scott A. Smith**, Mason, OH (US); **Ryan A. Brazelton**, Centerville, OH (US); **Patrick J. Bertke**, Dayton, OH (US)

(73) Assignee: **Six Continents Hotels, Inc.**, Atlanta, GA (US)

(**) Term: **14 Years**

(21) Appl. No.: **29/326,623**

(22) Filed: **Oct. 21, 2008**

(51) **LOC (9) Cl.** **06-07**

(52) **U.S. Cl.** **D6/300**

(58) **Field of Classification Search** D6/300-314,
D6/449; D20/18, 10; D18/26; D14/125;
D10/2; 40/768, 700

See application file for complete search history.

(56) **References Cited**

U.S. PATENT DOCUMENTS

D306,661	S *	3/1990	Sanford	D6/301
D359,989	S *	7/1995	Sukovich	D20/18
D364,647	S *	11/1995	Johnson	D20/18
D391,991	S *	3/1998	Conner	D20/10
D397,356	S *	8/1998	Wen et al.	D18/26
D409,096	S *	5/1999	Young	D10/2
D421,682	S *	3/2000	Rowan	D6/301
D426,071	S *	6/2000	Vandemore	D6/301
D439,223	S *	3/2001	Sheckler	D14/125
D453,422	S *	2/2002	Morgan	D6/301
D458,461	S *	6/2002	Ragan-Masters et al.	D6/301
6,536,149	B1 *	3/2003	Phillips	40/768
D502,005	S *	2/2005	Henry	D6/301
D526,492	S *	8/2006	Sakaguchi	D6/301
D526,794	S *	8/2006	Sakaguchi	D6/301
D527,914	S *	9/2006	Sakaguchi	D6/301
D532,615	S *	11/2006	Sakaguchi	D6/301
D575,532	S *	8/2008	Whetman	D6/301

* cited by examiner

Primary Examiner — Philip S Hyder

Assistant Examiner — Sydney R Buffalow

(74) *Attorney, Agent, or Firm* — Kilpatrick Townsend and Stockton LLP

(57) **CLAIM**

The ornamental design for a wall mount, as shown and described.

DESCRIPTION

FIG. 1 is a perspective view of a first embodiment of the wall mount showing my design thereof;

FIG. 2 is a front view thereof;

FIG. 3 is a left side view thereof;

FIG. 4 is a perspective view of a second embodiment of the wall mount showing my design thereof;

FIG. 5 is a front view thereof;

FIG. 6 is a left side view thereof;

FIG. 7 is another perspective view of the first embodiment of the wall mount;

FIG. 8 is another front view of the first embodiment of the wall mount; and,

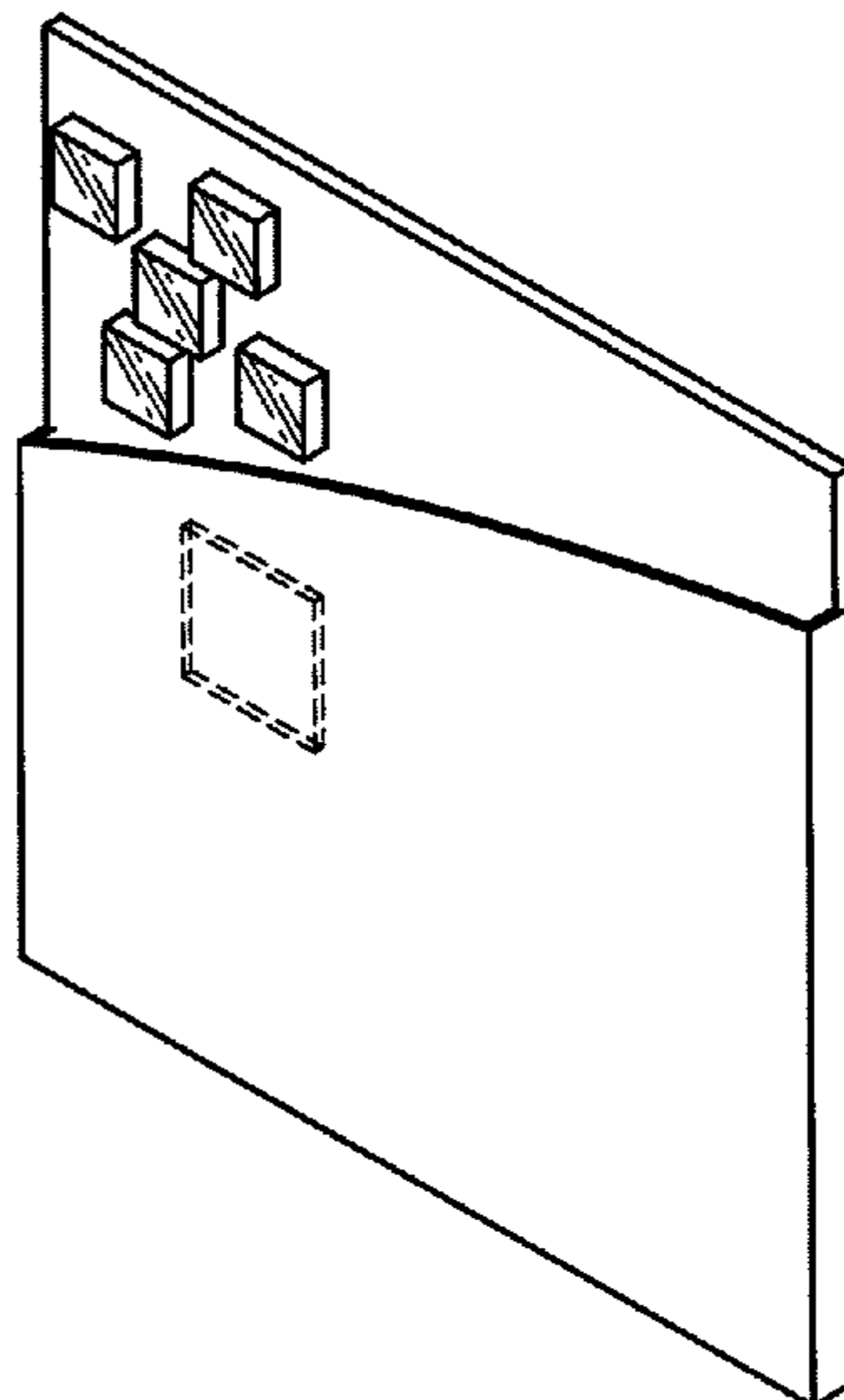
FIG. 9 is another side view of the first embodiment of the wall mount.

FIGS. 1-6 show two embodiments of the wall mount. As shown in FIGS. 1-6, the front face of the wall mount includes an upper portion and a lower portion which are separated by an arch. The upper surface of the arch is open so as to form a space between the lower portion and the upper portion of the wall mount.

The wall mount shown in FIGS. 1-6 also includes five cube-shaped members protruding from the upper portion of the wall mount. The cube-shaped members are translucent.

An illustrative plate is shown in broken lines and forms no part of the claimed design. In FIGS. 7-9, the pattern or surface treatment applied to the upper portion of the wall mount is shown in broken lines and forms no part of the claimed design.

1 Claim, 7 Drawing Sheets



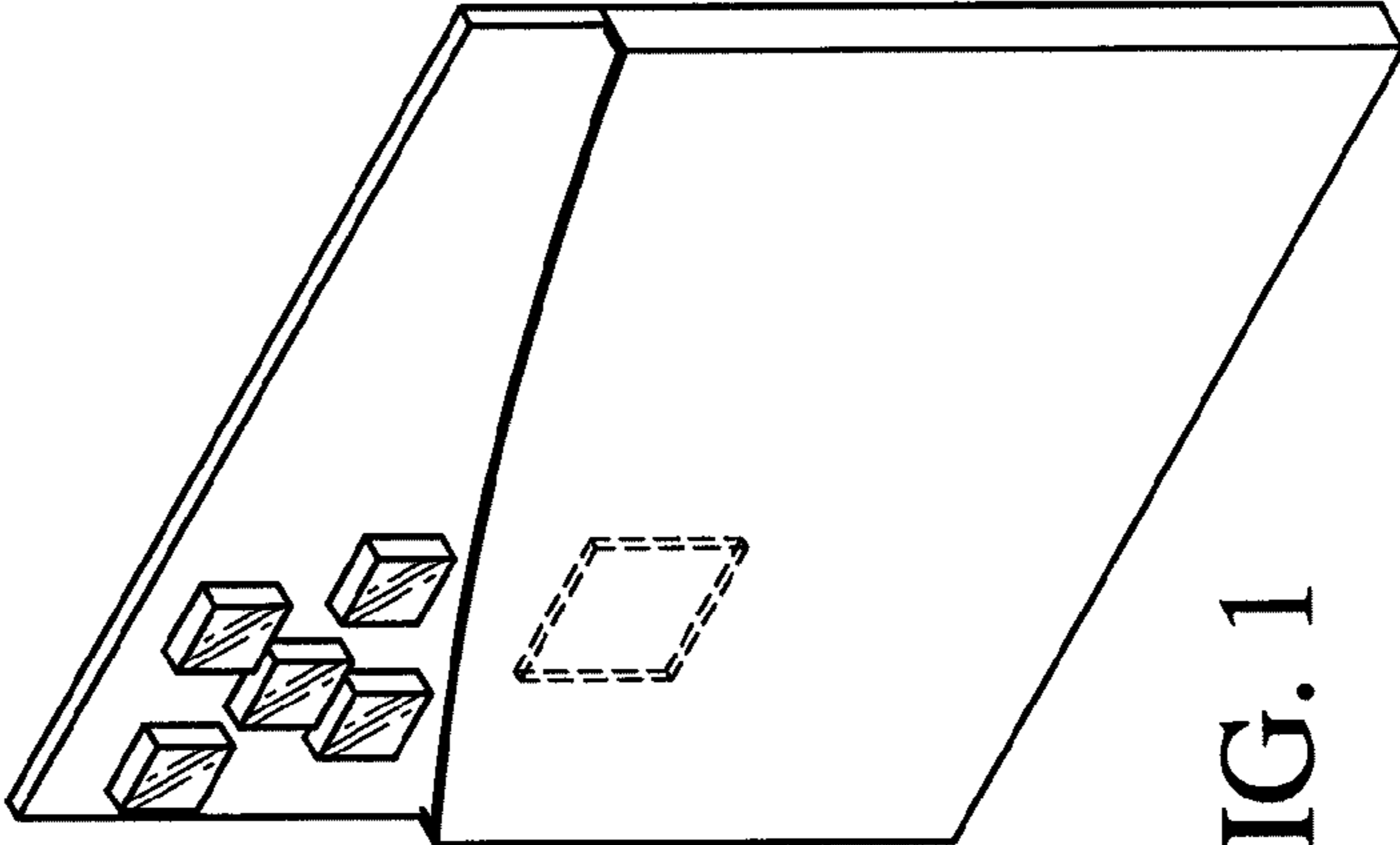


FIG. 1

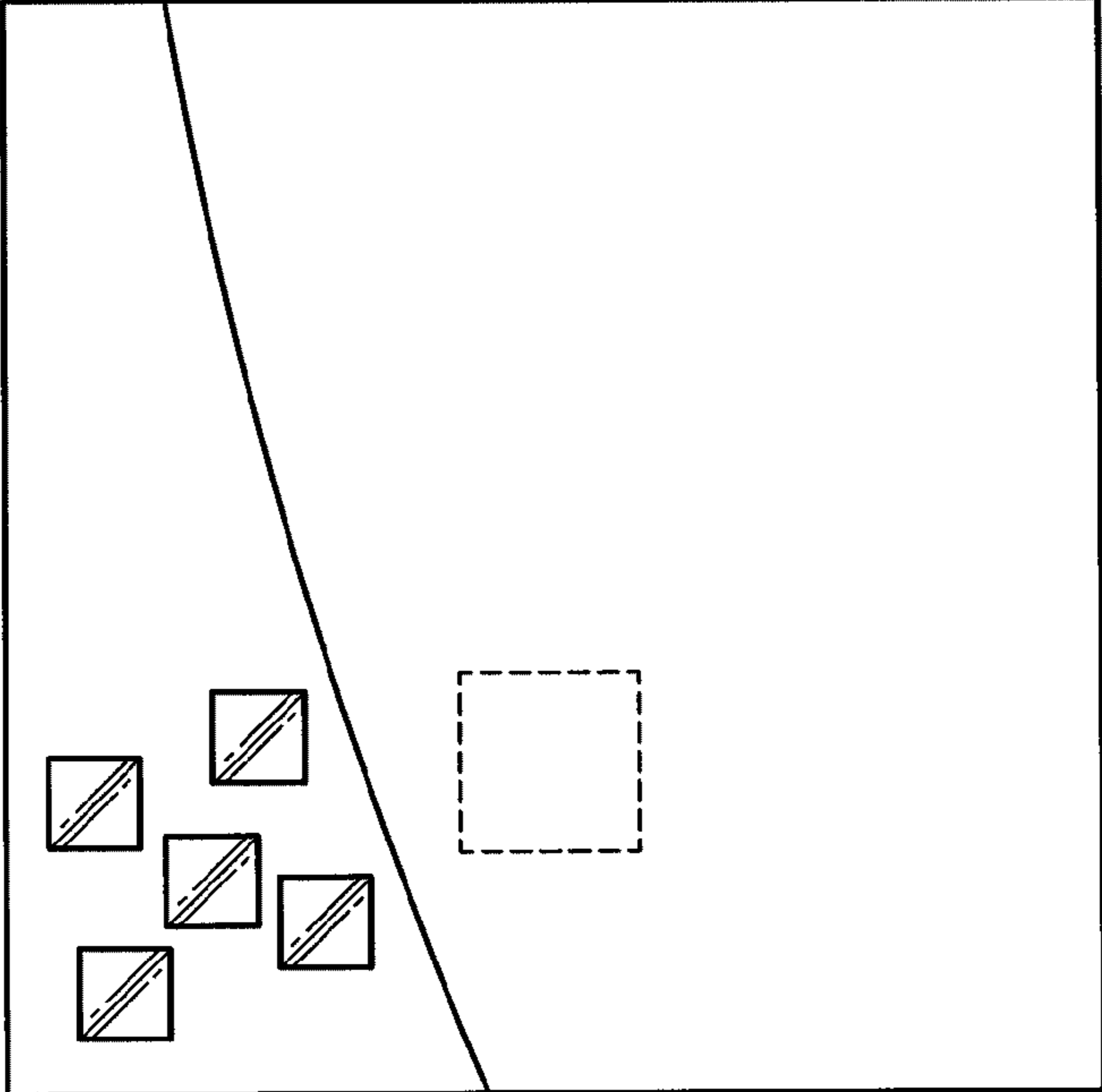


FIG. 2

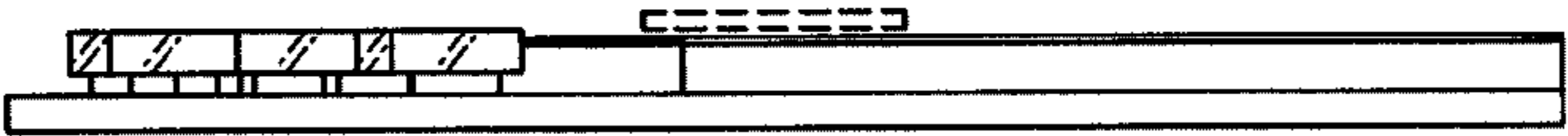


FIG. 3

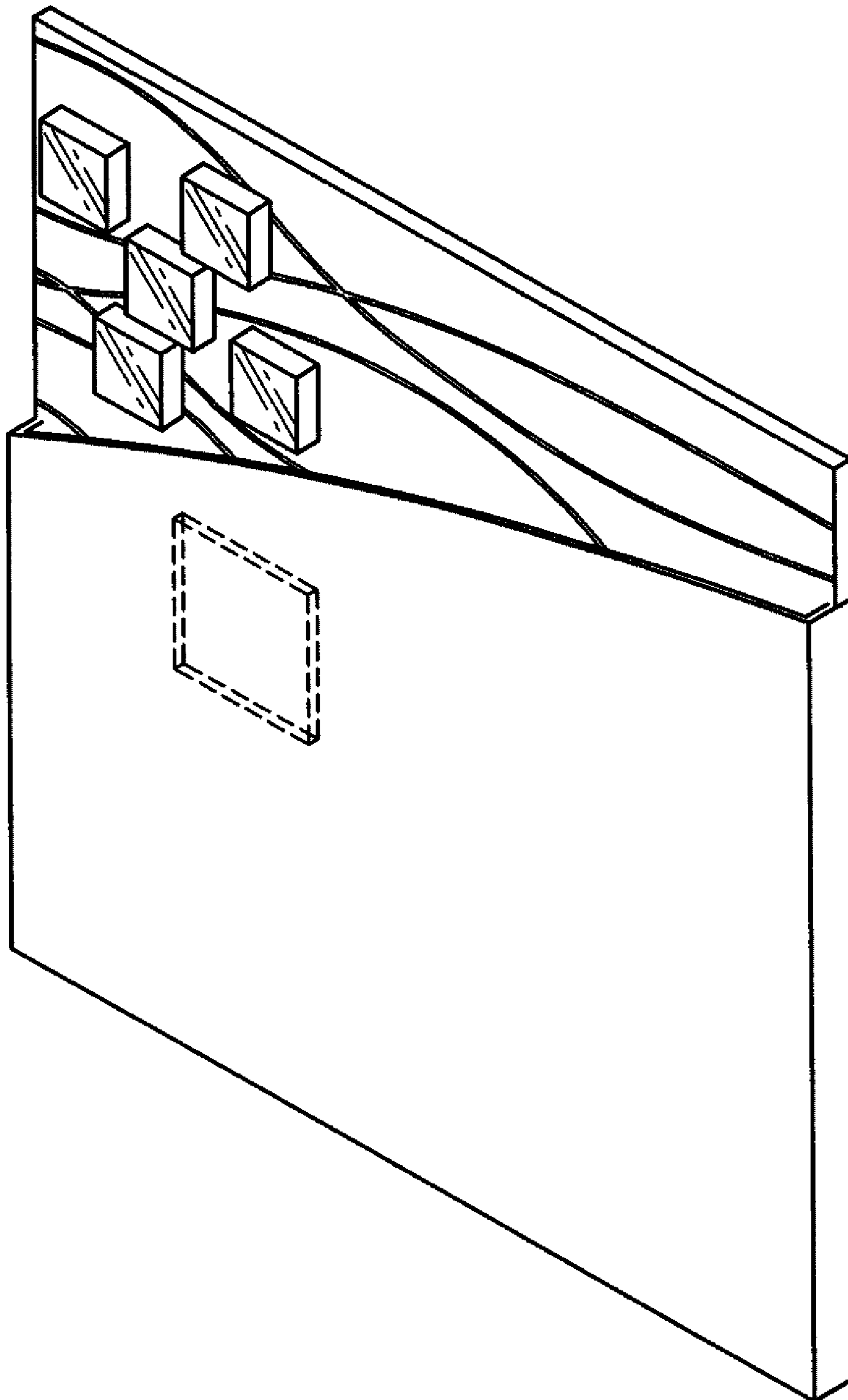


FIG. 4

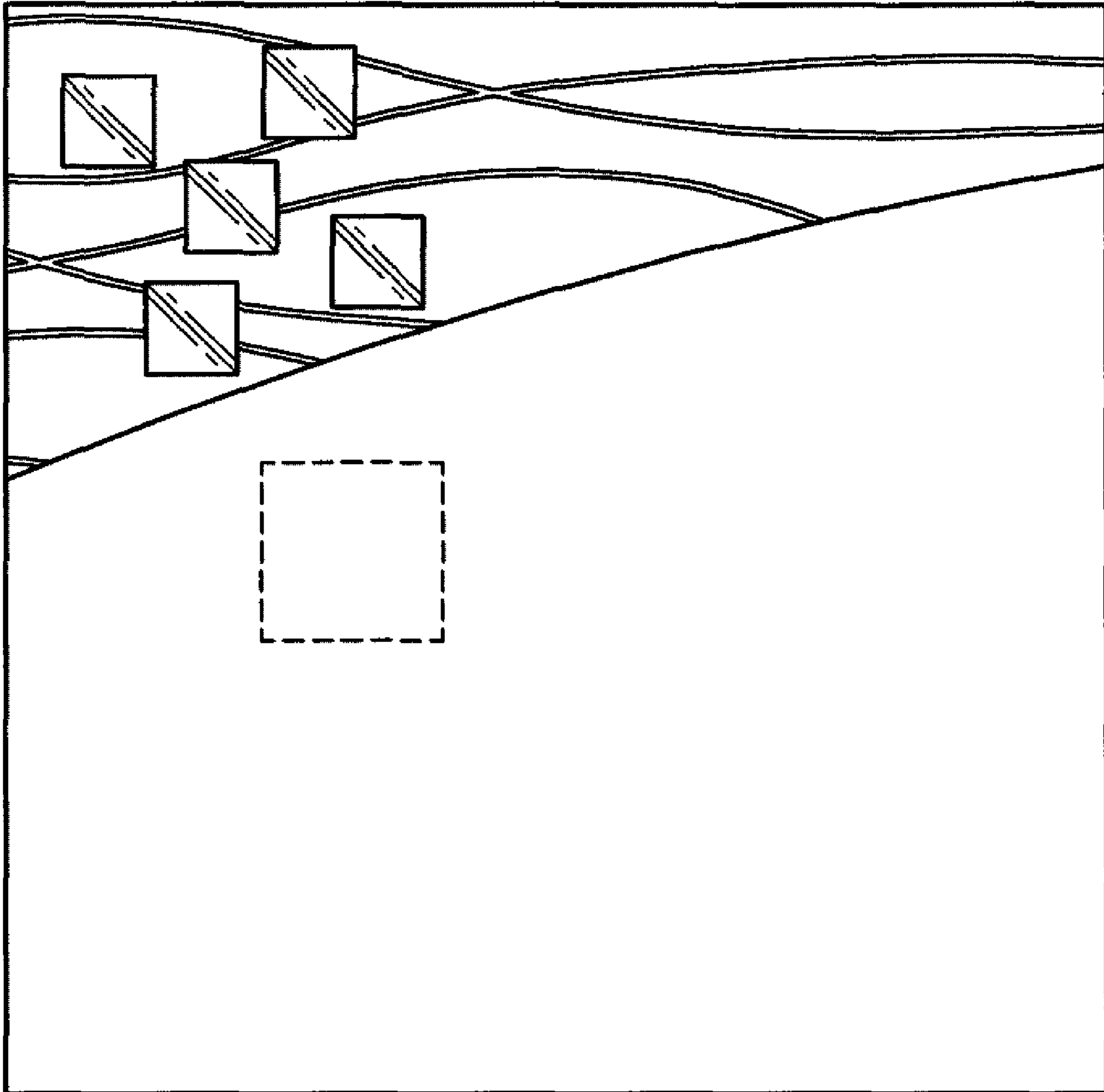


FIG. 5



FIG. 6

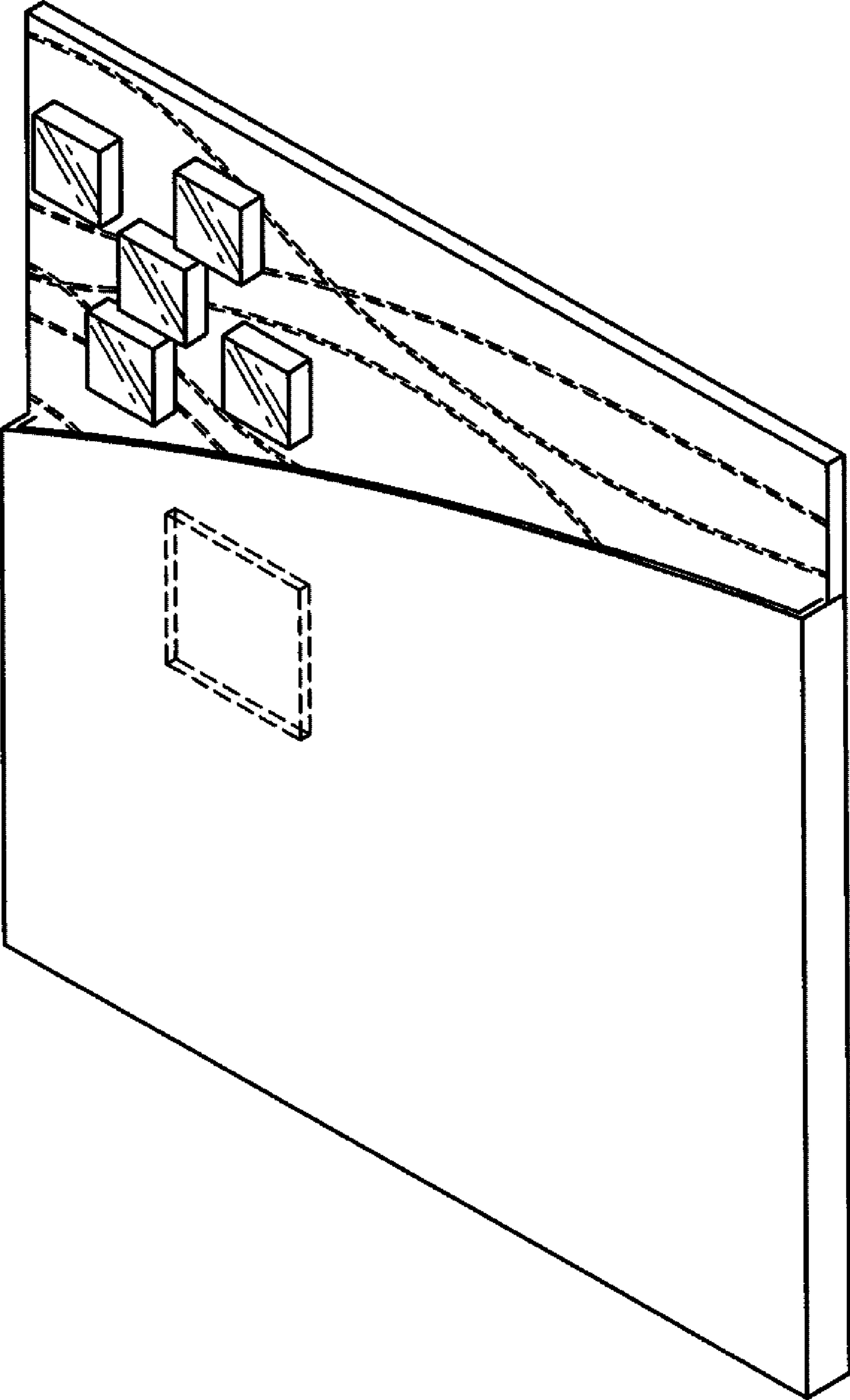


FIG. 7

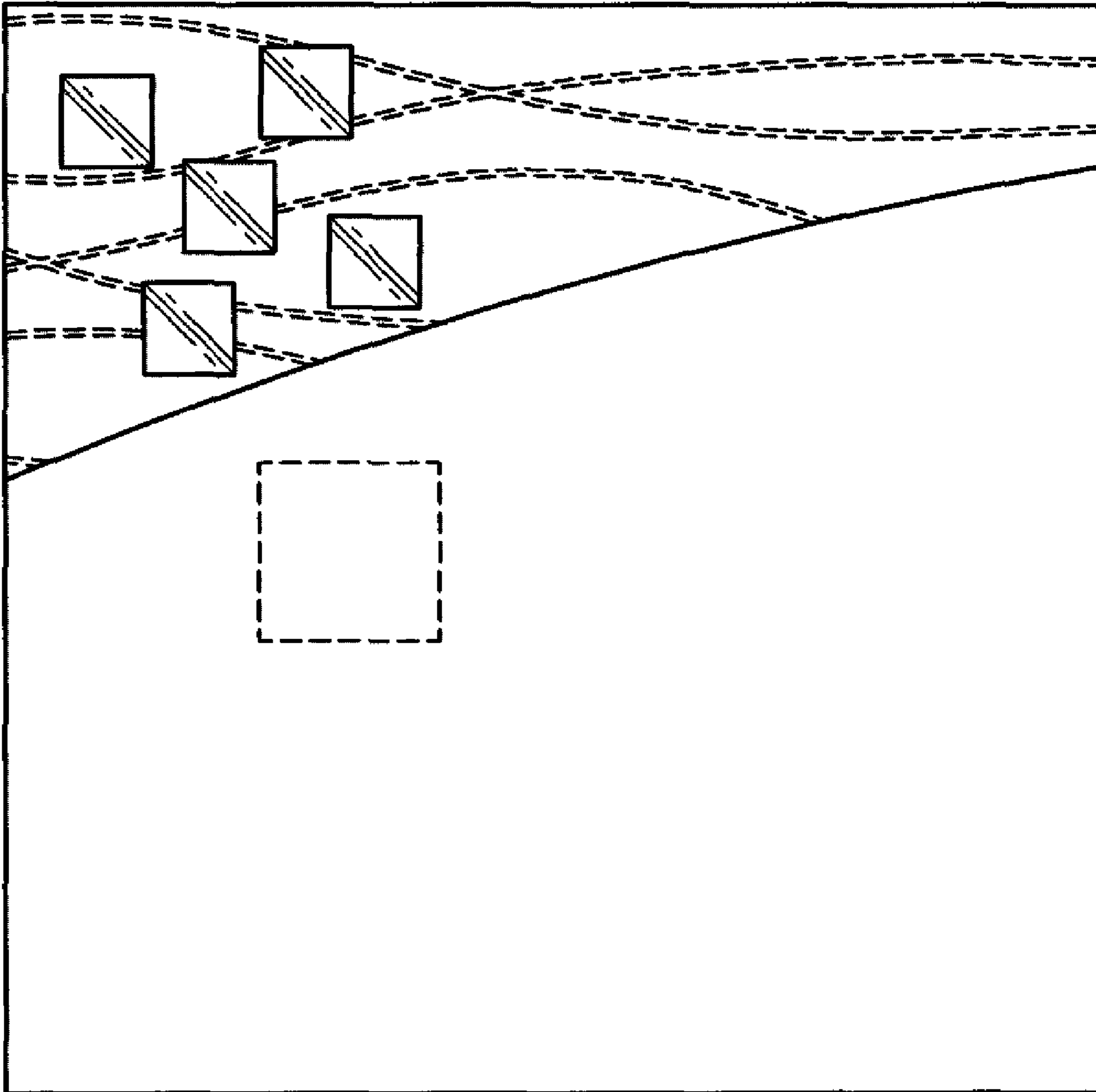


FIG. 8



FIG. 9