



US00D651409S

(12) **United States Design Patent**
Papenfuß

(10) **Patent No.:** **US D651,409 S**
(45) **Date of Patent:** **** Jan. 3, 2012**

(54) **PAINT BRUSH**

- (75) Inventor: **Andreas Papenfuß**, Weimar (DE)
- (73) Assignee: **Faber-Castell Aktiengesellschaft**, Stein (DE)
- (**) Term: **14 Years**
- (21) Appl. No.: **29/396,371**
- (22) Filed: **Jun. 29, 2011**
- (30) **Foreign Application Priority Data**

Jan. 25, 2011 (EM) 001810516-0001
 Jan. 25, 2011 (EM) 001810516-0002

- (51) **LOC (9) Cl.** **04-04**
- (52) **U.S. Cl.** **D4/121; D4/135; D4/138**
- (58) **Field of Classification Search** D4/116,
D4/121, 127, 135, 138; D19/43, 48, 57;
15/1-193, 246, 247; 132/73, 73.5
See application file for complete search history.

(56) **References Cited**

U.S. PATENT DOCUMENTS

- D134,797 S * 1/1943 Lubkin D4/135
 - 2,591,537 A * 4/1952 Gordon 15/184
- (Continued)

FOREIGN PATENT DOCUMENTS

- DE 4215896 C1 * 11/1993
- (Continued)

Primary Examiner — Melanie H Tung
Assistant Examiner — Lavone D Tabor
 (74) *Attorney, Agent, or Firm* — Pearl Cohen Zedek Latzer, LLP

(57) **CLAIM**

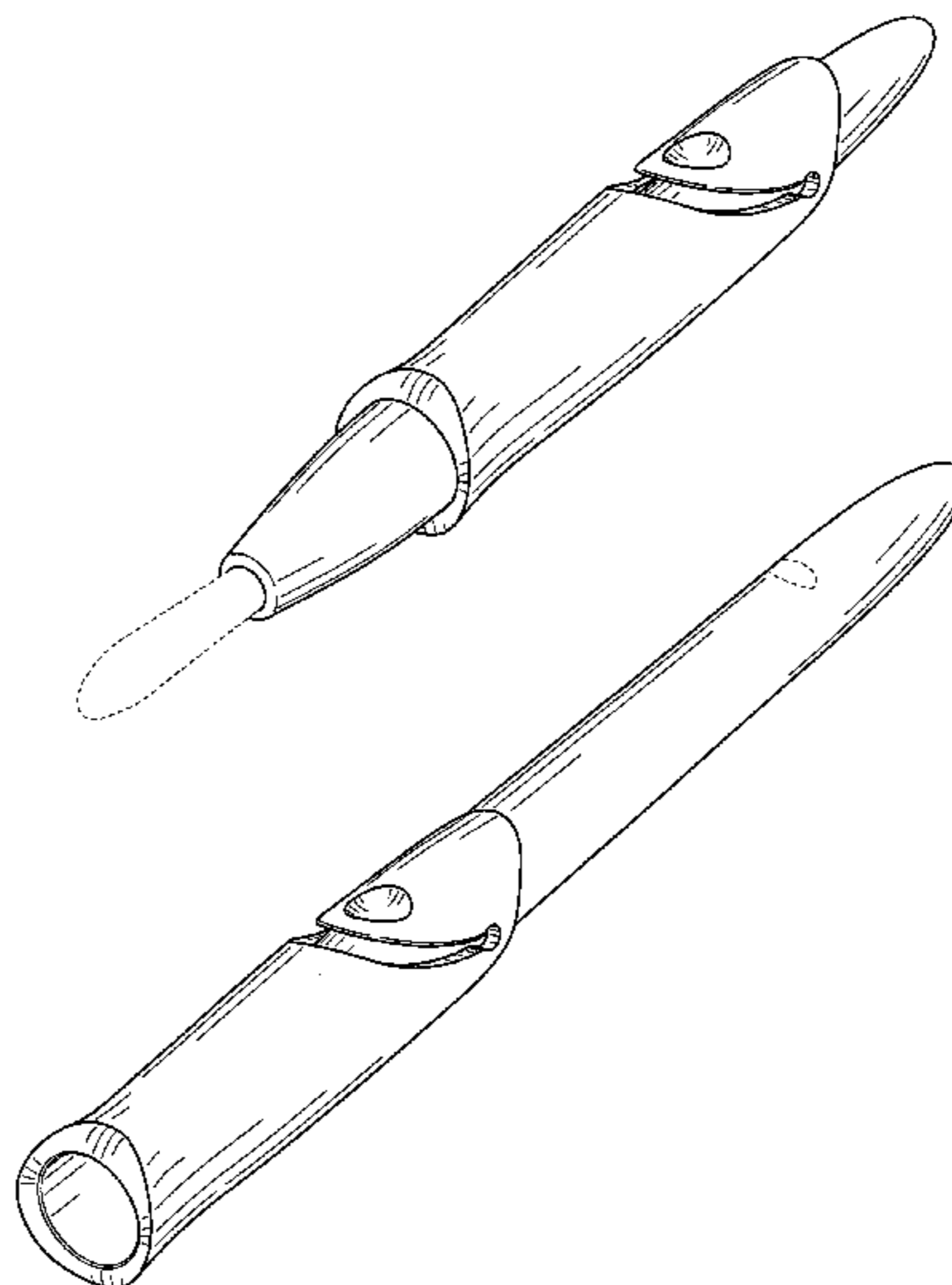
The ornamental design for a paint brush, as shown and described.

DESCRIPTION

FIG. 1 is a top plan view of a first embodiment of the paint brush;

FIG. 2 is a bottom plan view of the first embodiment of the paint brush shown in FIG. 1;
 FIG. 3 is a front elevational view of the first embodiment of the paint brush shown in FIG. 1;
 FIG. 4 is a back elevational view of the first embodiment of the paint brush shown in FIG. 1;
 FIG. 5 is a right side elevational view of the first embodiment of the paint brush shown in FIG. 1, the left side being a mirror image;
 FIG. 6 is a front, top, right side perspective view of the first embodiment of the paint brush shown in FIG. 1;
 FIG. 7 is a front, top, right side perspective view of the first embodiment of the paint brush shown in FIG. 1 in a closed configuration;
 FIG. 8 is a top plan view of the first embodiment of the paint brush shown in FIG. 1 in a closed configuration;
 FIG. 9 is a top plan view of a second embodiment of the paint brush;
 FIG. 10 is a bottom plan view of the second embodiment of the paint brush shown in FIG. 9;
 FIG. 11 is a front elevational view of the second embodiment of the paint brush shown in FIG. 9;
 FIG. 12 is a back elevational view of the second embodiment of the paint brush shown in FIG. 9;
 FIG. 13 is a right side elevational view of the second embodiment of the paint brush shown in FIG. 9, the left side being a mirror image;
 FIG. 14 is a front, top, right side perspective view of the second embodiment of the paint brush shown in FIG. 9;
 FIG. 15 is a front, top, right side perspective view of the second embodiment of the paint brush shown in FIG. 9 in a closed configuration; and,
 FIG. 16 is a top plan view of the second embodiment of the paint brush shown in FIG. 9 in a closed configuration.
 The structure in broken lines forms no part of the claimed design.

1 Claim, 8 Drawing Sheets



US D651,409 S

Page 2

U.S. PATENT DOCUMENTS

2,631,321 A * 3/1953 Mureau 15/184
2,657,411 A * 11/1953 Becker 15/184
3,106,738 A * 10/1963 Bohne 15/184
3,268,939 A * 8/1966 Aversa 15/184
D448,047 S * 9/2001 Lewis, Jr. D19/47
7,140,061 B2 * 11/2006 Baker et al. 15/168
D626,175 S * 10/2010 Yoon D19/48

2009/0119863 A1* 5/2009 Gallegos 15/247

FOREIGN PATENT DOCUMENTS

DE 29713124 U1 * 9/1997
FR 2642283 A1 * 8/1990
JP 08072476 A * 3/1996

* cited by examiner

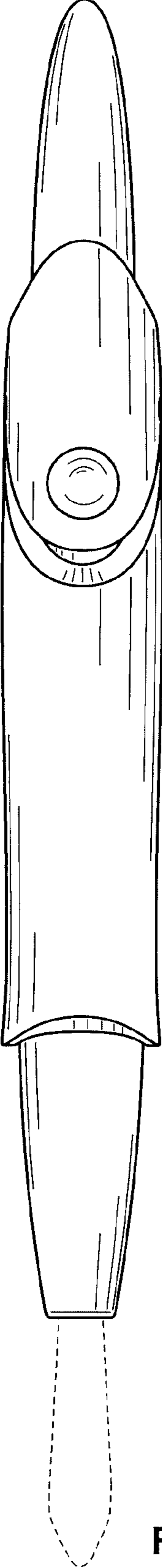


FIG. 1

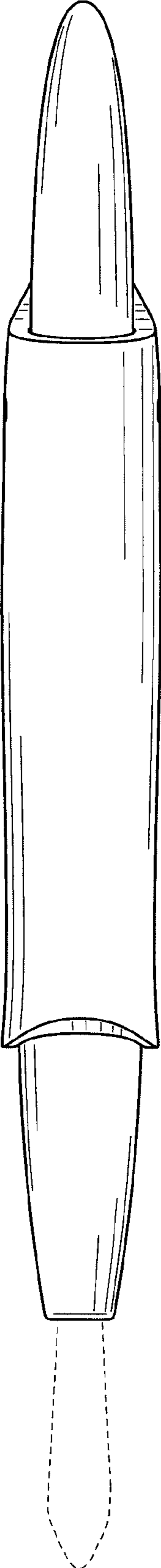


FIG. 2

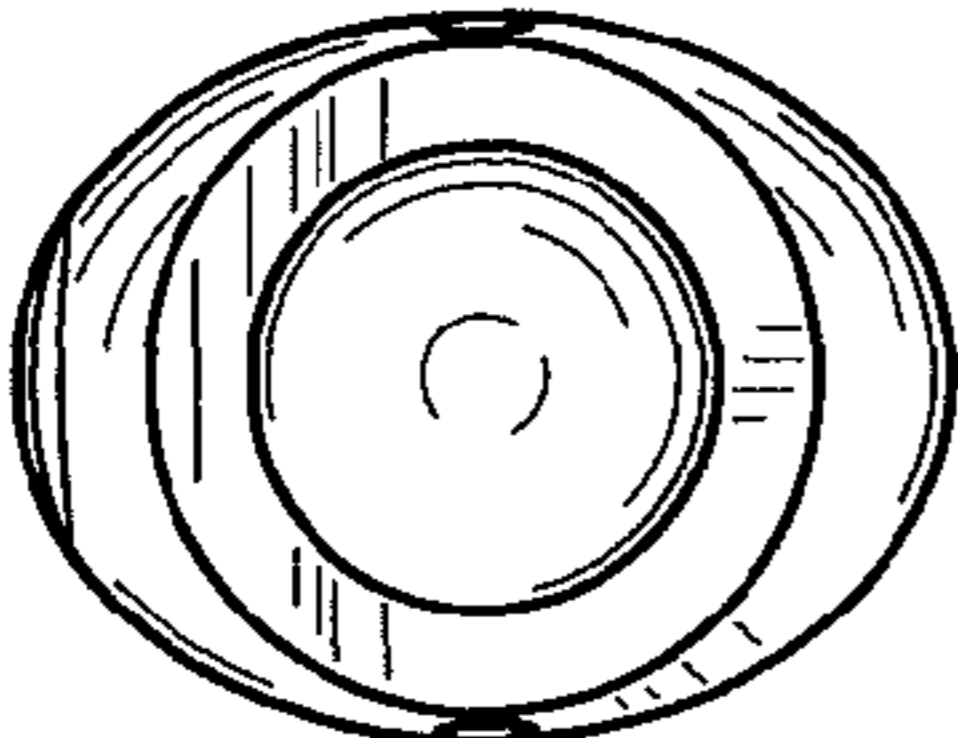


FIG. 3

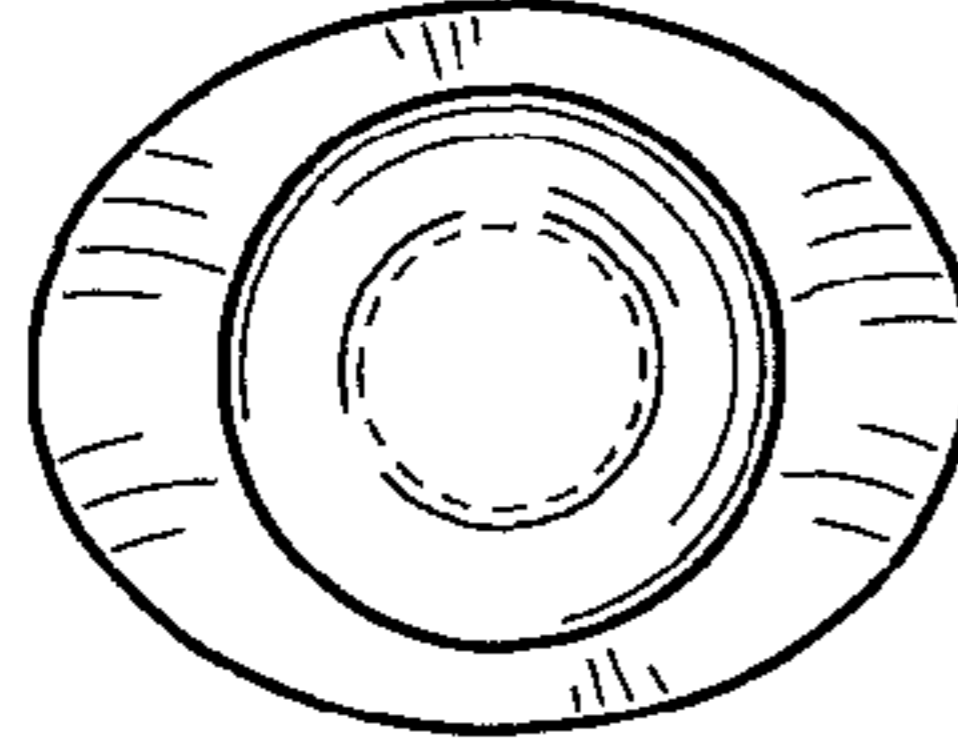


FIG. 4

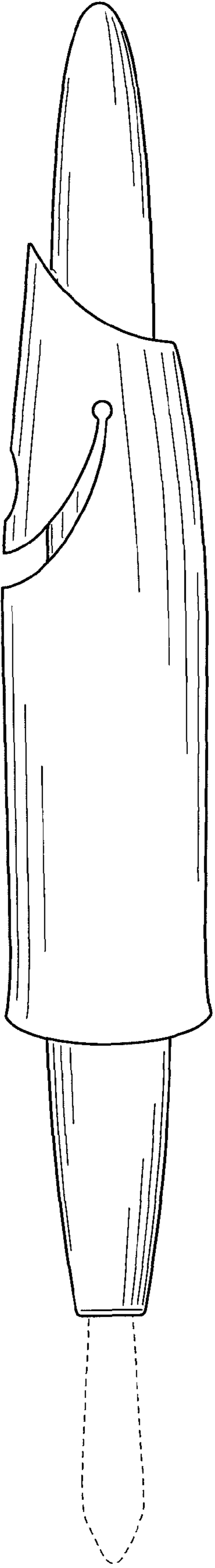


FIG. 5

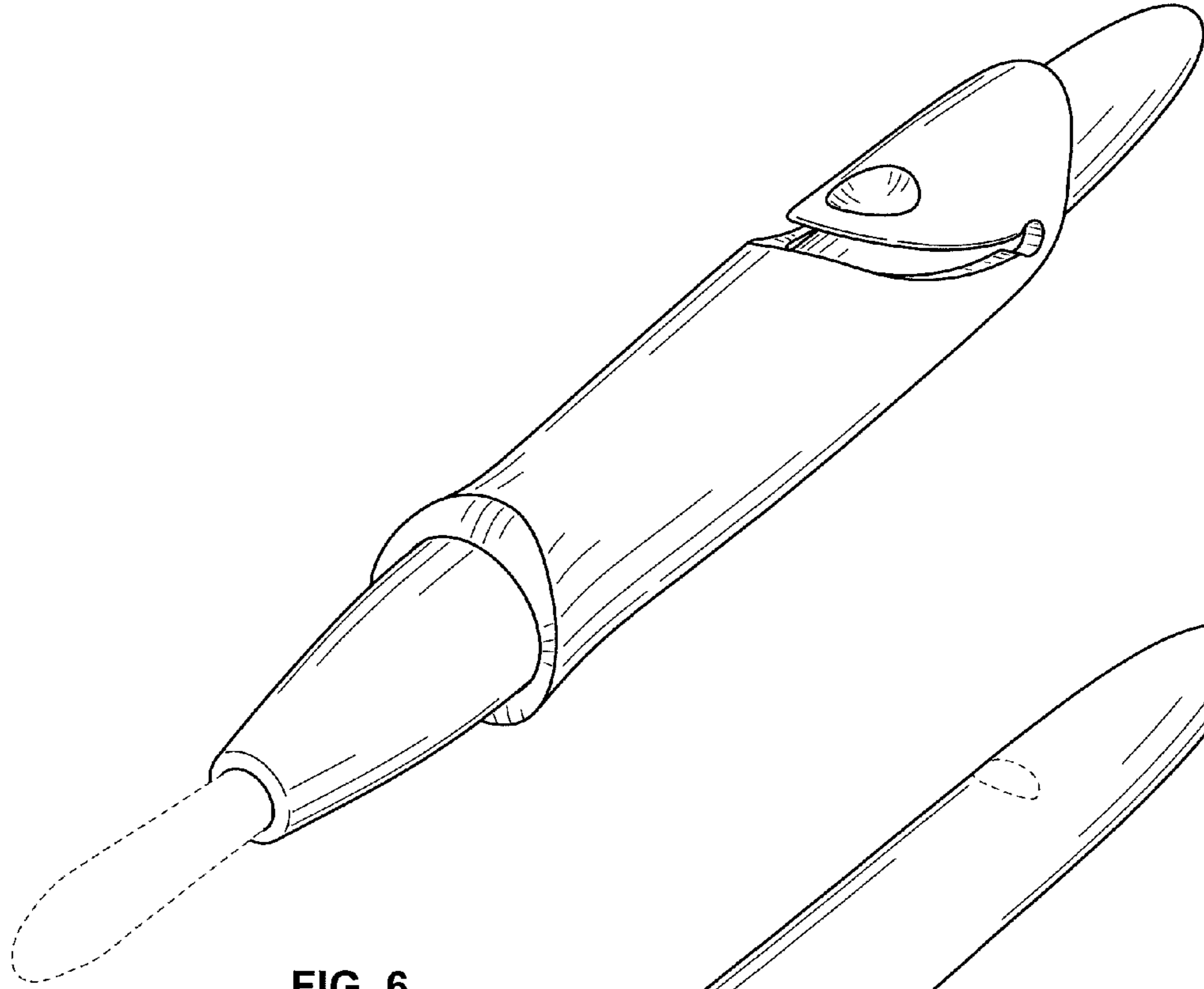


FIG. 6

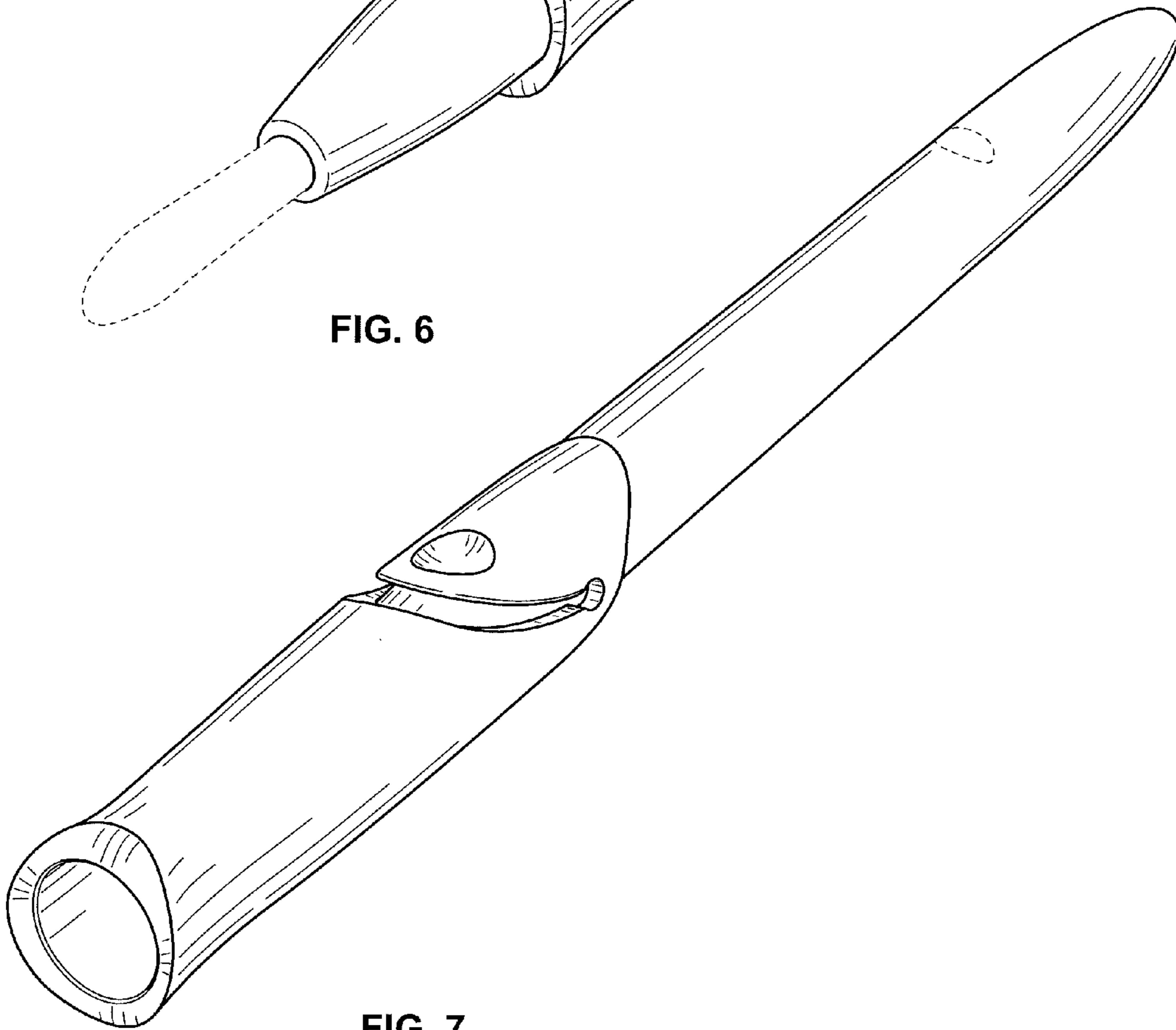


FIG. 7

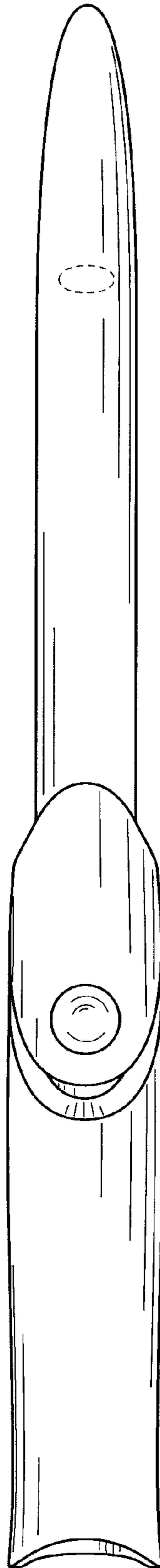


FIG. 8

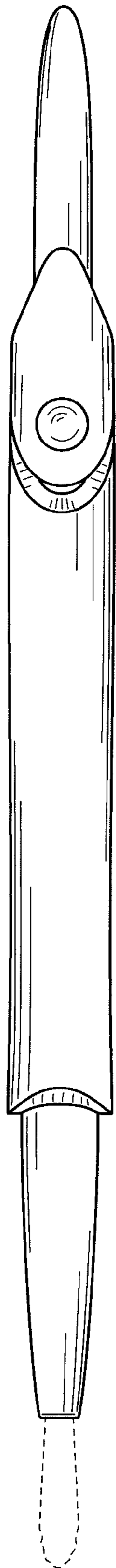


FIG. 9



FIG. 10

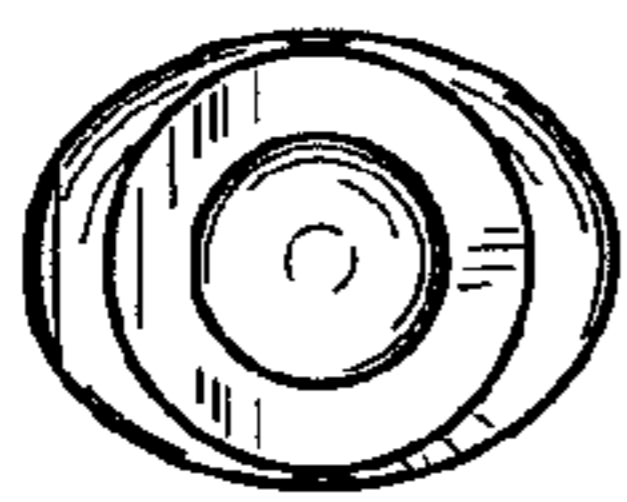


FIG. 11

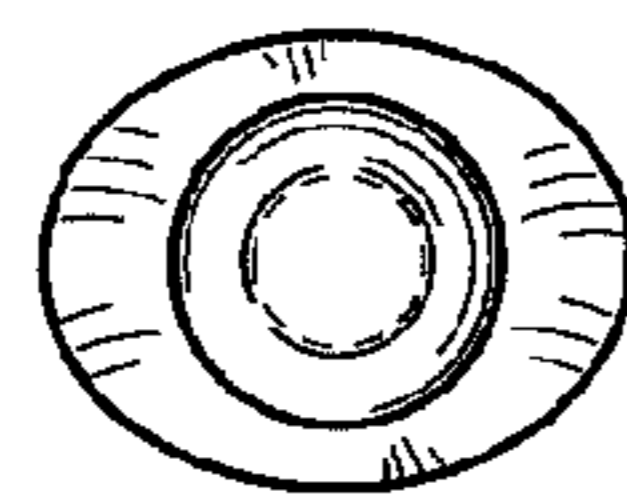


FIG. 12

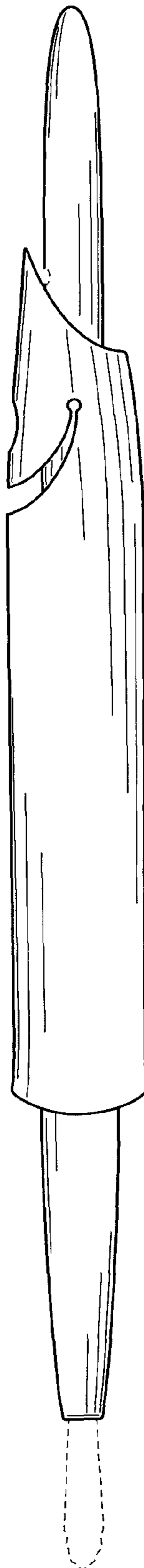


FIG. 13

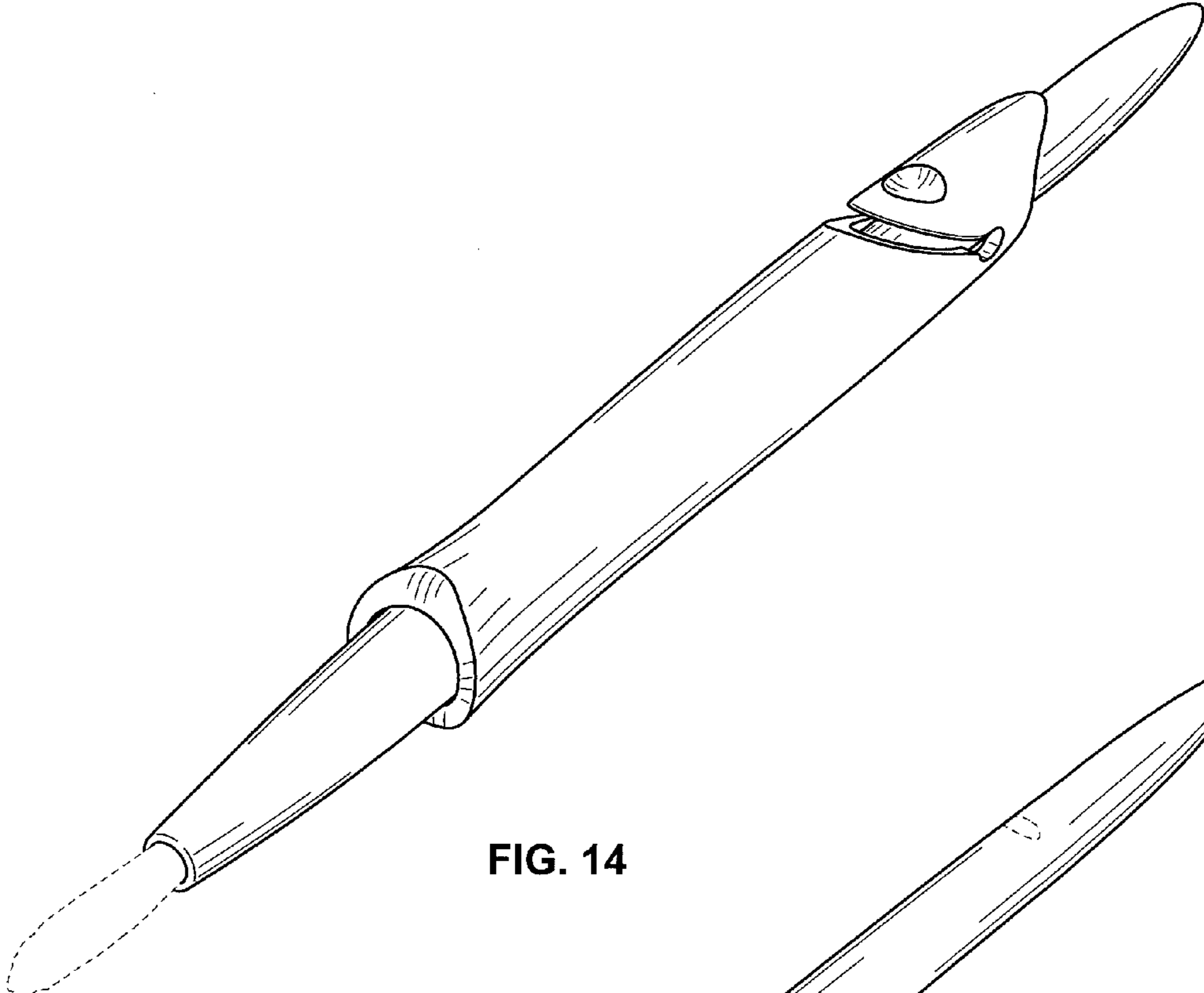


FIG. 14

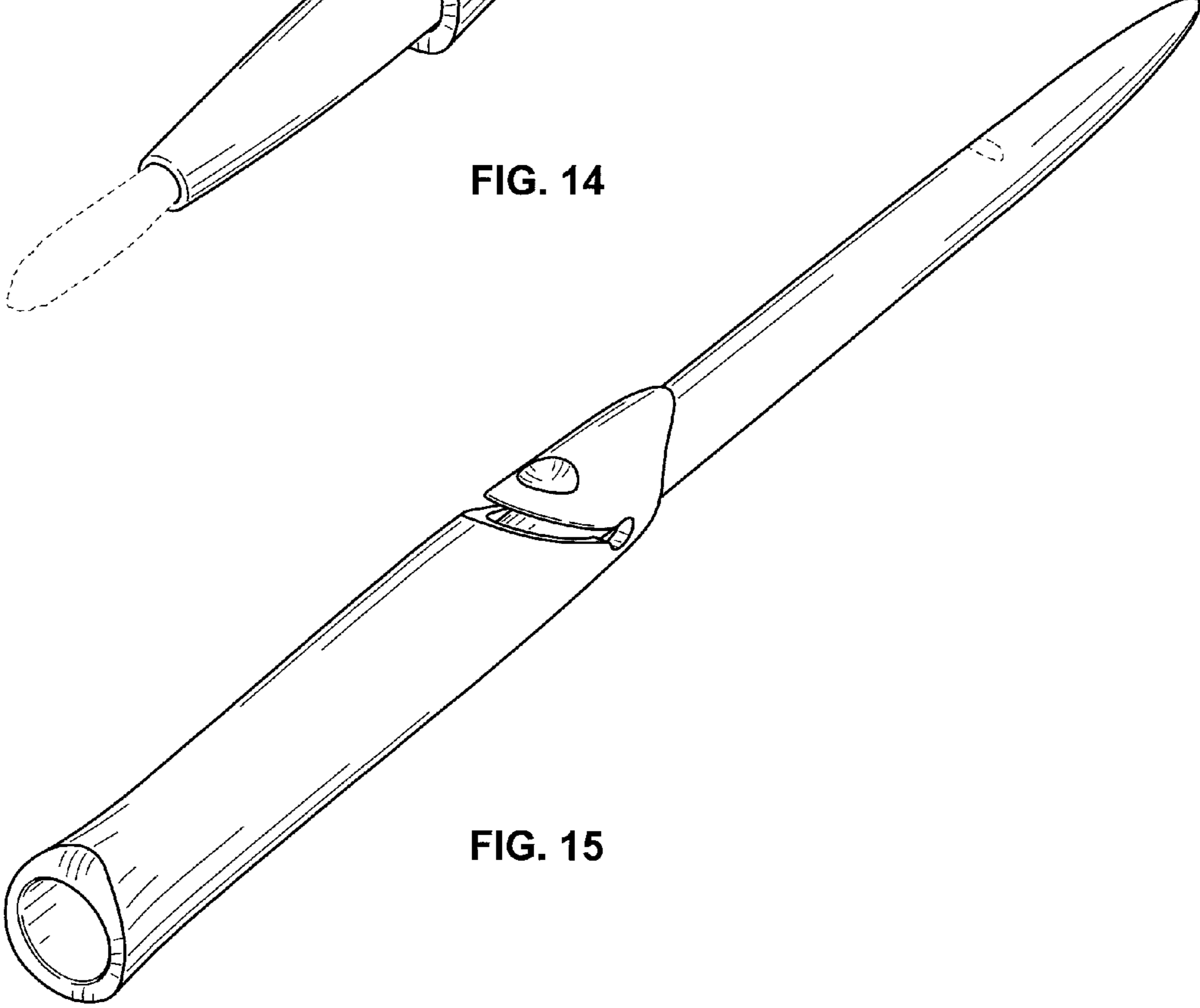


FIG. 15

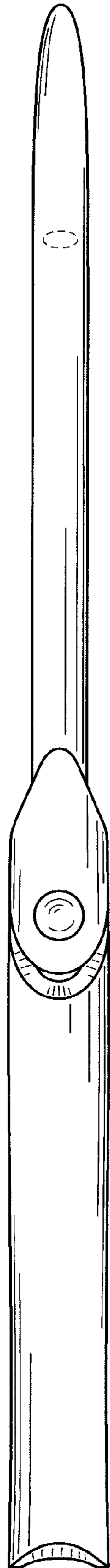


FIG. 16