



US00D651397S

(12) **United States Design Patent**  
**Lett**

(10) **Patent No.:** **US D651,397 S**  
(45) **Date of Patent:** **\*\* Jan. 3, 2012**

(54) **PANT LEG TOTE BAG**

(76) Inventor: **Adam M. Lett**, Traverse City, MI (US)

(\*\*) Term: **14 Years**

(21) Appl. No.: **29/378,122**

(22) Filed: **Oct. 29, 2010**

(51) **LOC (9) Cl.** ..... **03-01**

(52) **U.S. Cl.** ..... **D3/238; D3/234**

(58) **Field of Classification Search** ..... **D3/234,**  
**D3/238; 150/100, 103-110, 113-114, 118-119**  
See application file for complete search history.

(56) **References Cited**

**U.S. PATENT DOCUMENTS**

3,866,647	A *	2/1975	Tarkowski	.....	150/104
D244,404	S *	5/1977	Gaylor	.....	D3/238
D244,884	S *	6/1977	Dotson	.....	D3/238
D263,648	S *	4/1982	Schimmel	.....	D3/238
D457,722	S *	5/2002	Moynova et al.	.....	D3/238
D480,208	S *	10/2003	Fisher et al.	.....	D3/238
D495,876	S *	9/2004	Matthews et al.	.....	D3/238

\* cited by examiner

*Primary Examiner* — Holly Baynham

(74) *Attorney, Agent, or Firm* — Northern Michigan Patent Law, PLC

(57) **CLAIM**

I claim the ornamental design for a pant leg tote bag, as shown and described.

**DESCRIPTION**

FIG. 1 is a perspective view of a pant leg tote bag embodying the new design, taken from the left front side of the pant leg tote bag.

FIG. 2 is a front view of the pant leg tote bag of FIG. 1.

FIG. 3 is a rear view of the pant leg tote bag of FIG. 1.

FIG. 4 is a rear view of a second embodiment of a pant leg tote bag which is identical to the first embodiment except for the straightened back seam;

FIG. 5 is a left side elevation view of the pant leg tote bag of the first embodiment;

FIG. 6 is a right side elevation of the pant leg tote bag of the first embodiment;

FIG. 7 is a top plan view of the pant leg tote bag of the first embodiment;

FIG. 8 is a bottom plan view of the pant leg tote bag

FIG. 9 is a front view a third embodiment of the pant leg tote bag, which is identical to the first embodiment except for the alternate loop placement on the front.

FIG. 10 is a front view of a fourth embodiment of a pant leg tote bag, which is identical to the first embodiment except for the absence of the belt loop; and,

FIG. 11 is a front view of a fifth embodiment of the pant leg tote bag, which is identical to the first embodiment except for the two loops on the front.

The structure illustrated in broken lines is environmental in nature and forms no part of the claimed design.

**1 Claim, 9 Drawing Sheets**

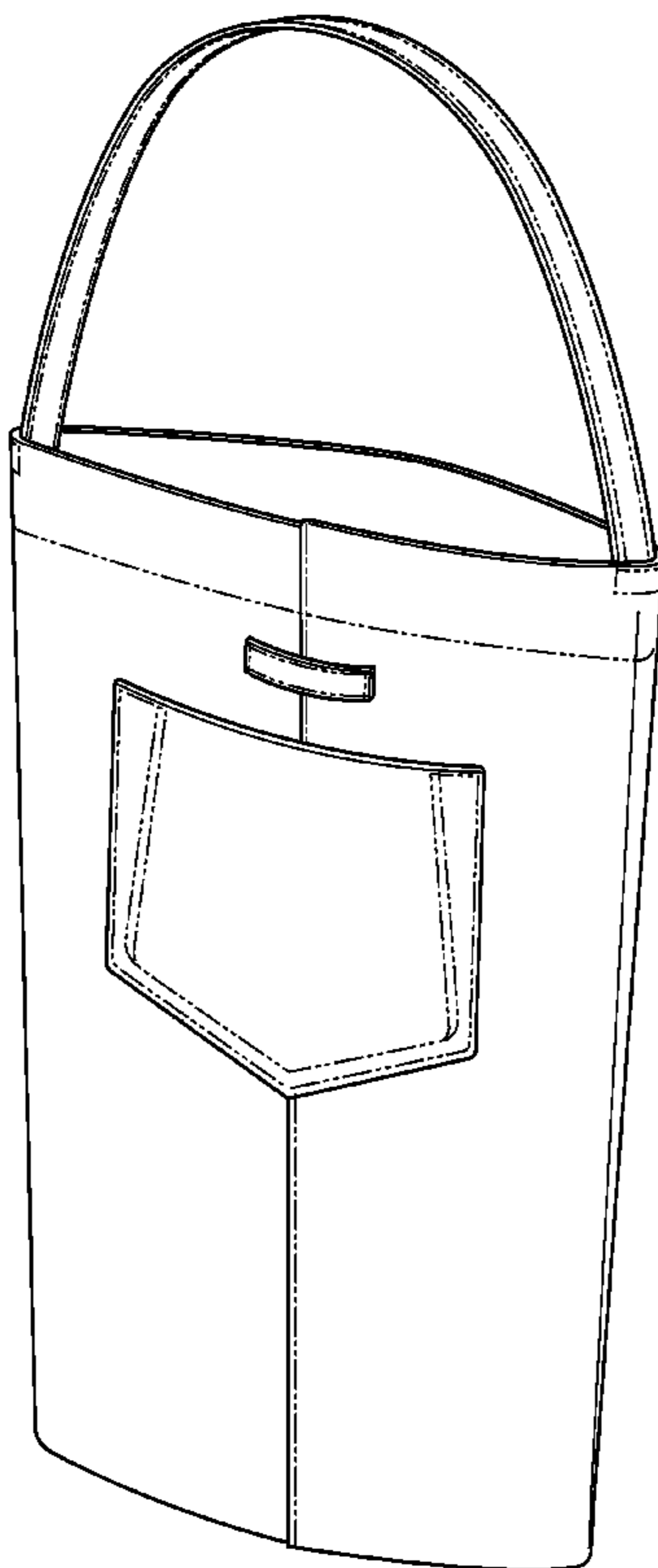
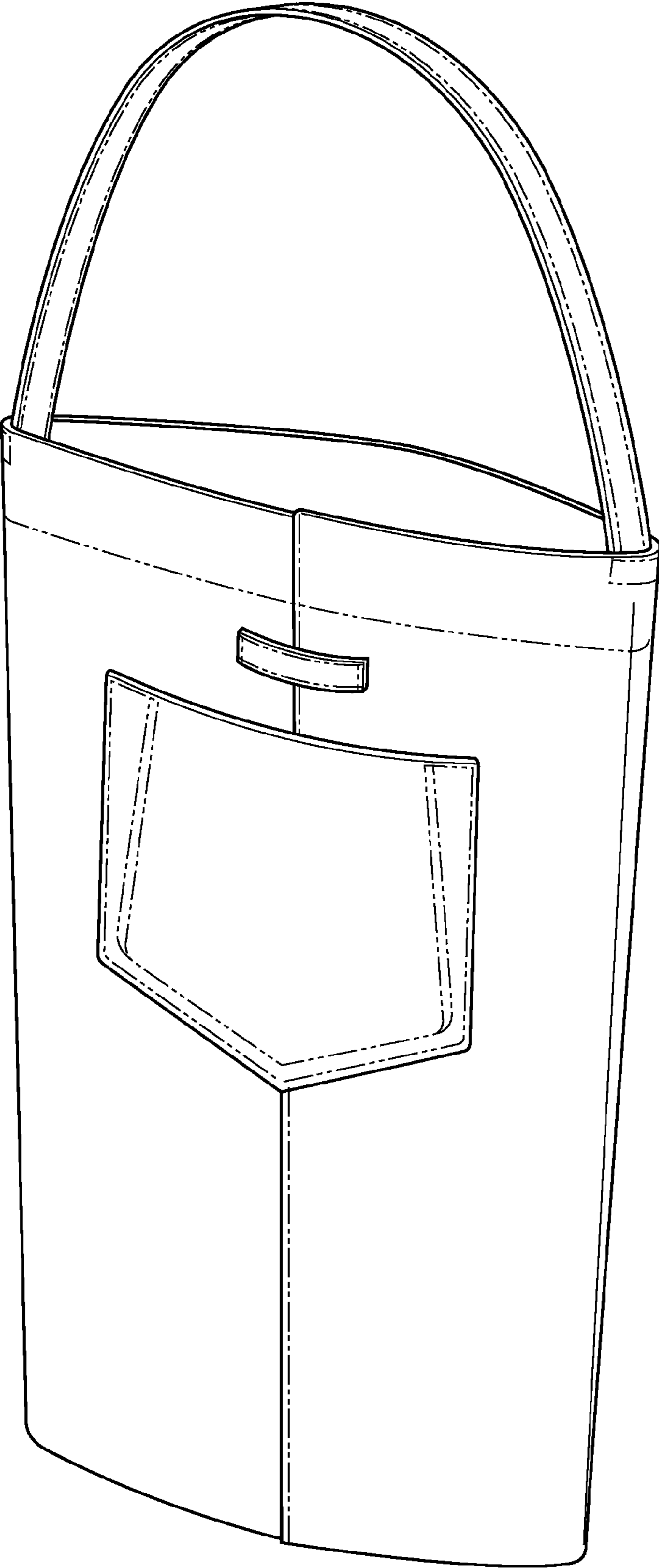
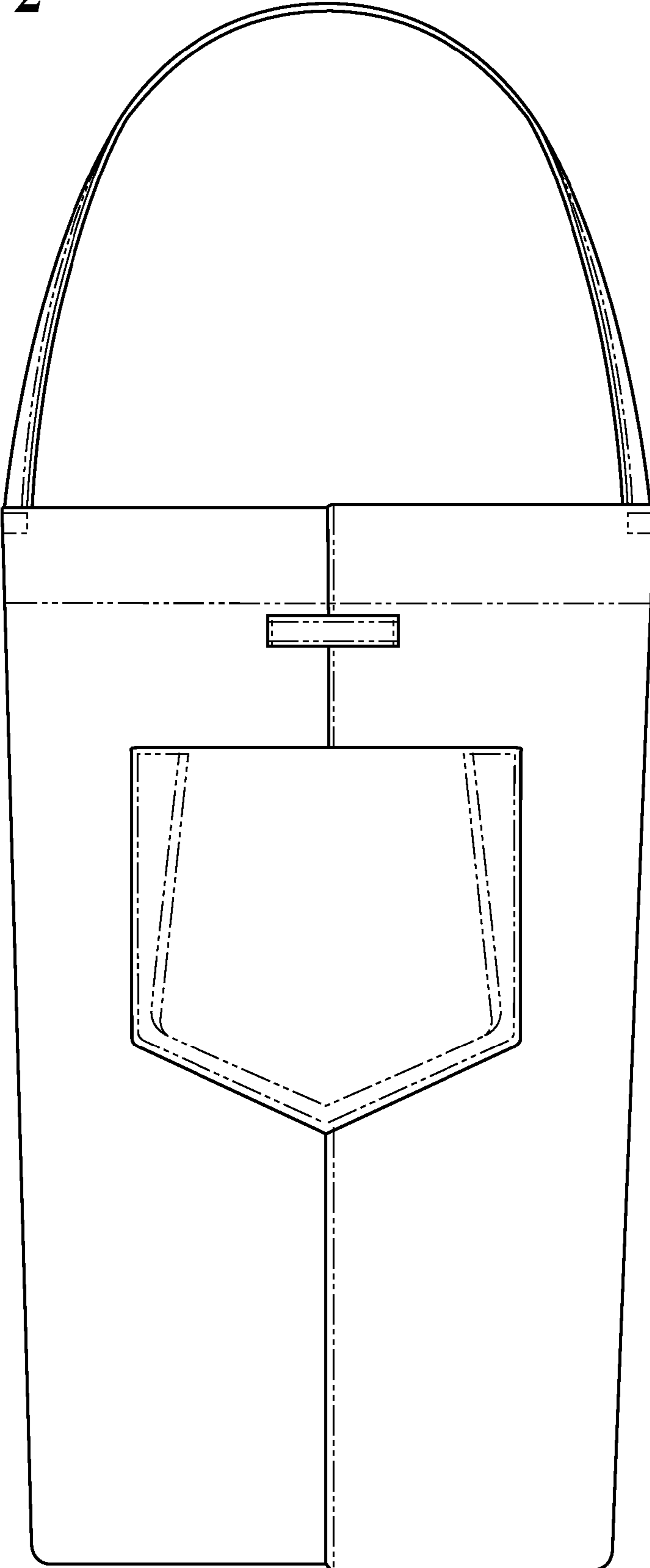


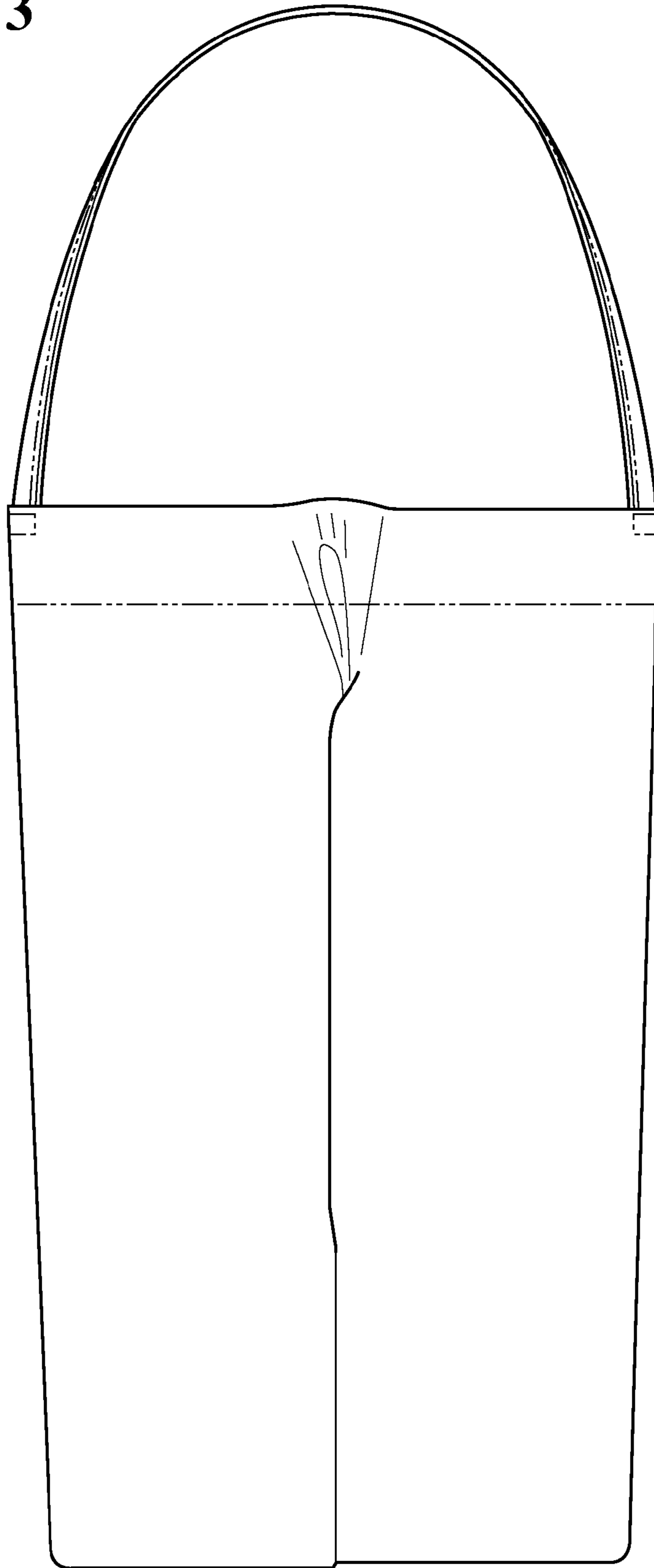
FIG. 1



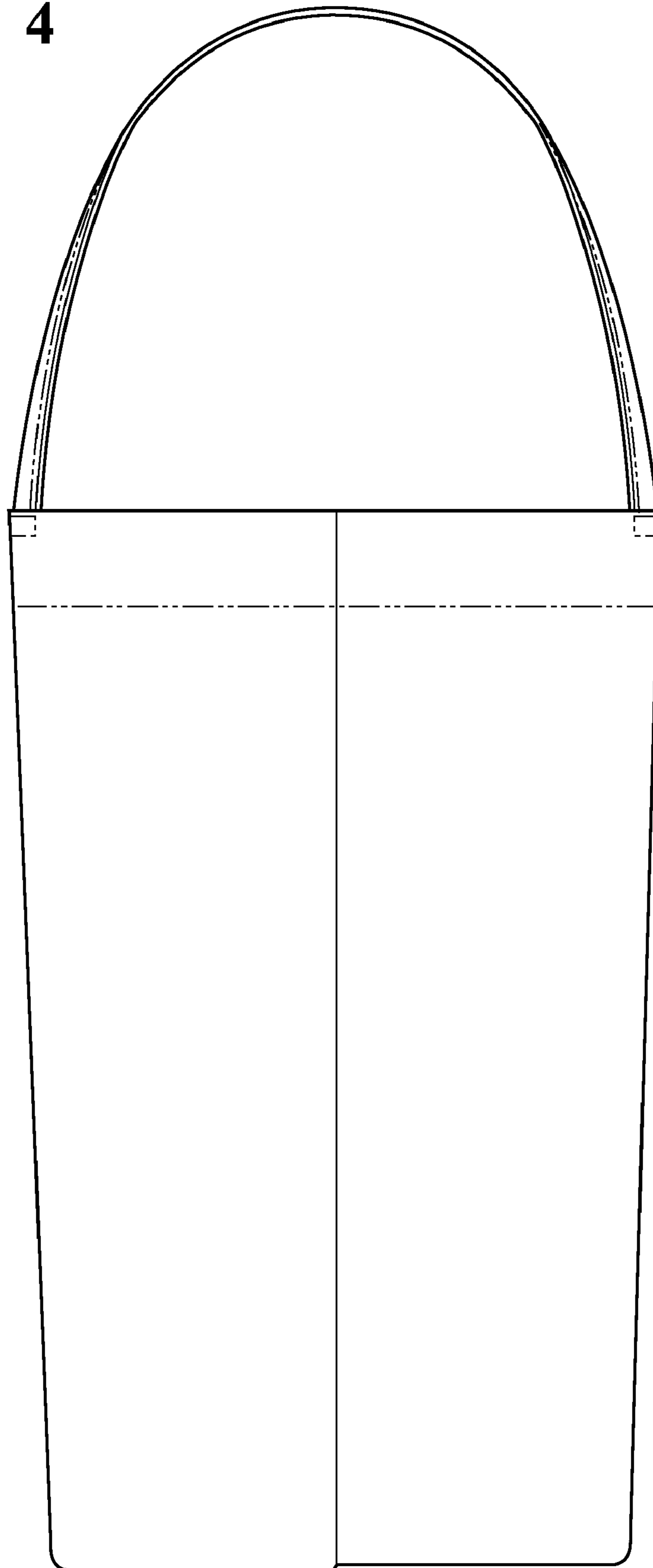
**FIG. 2**



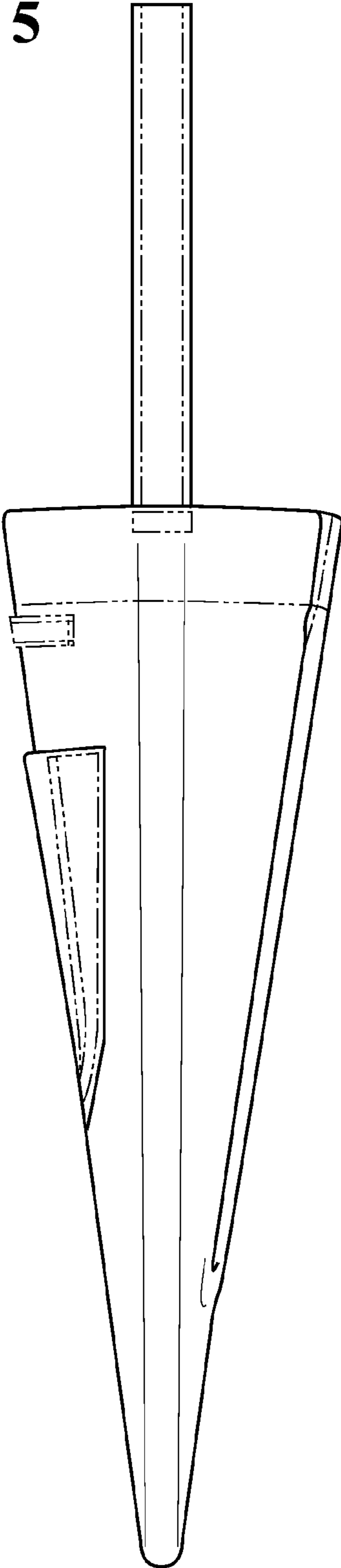
**FIG. 3**



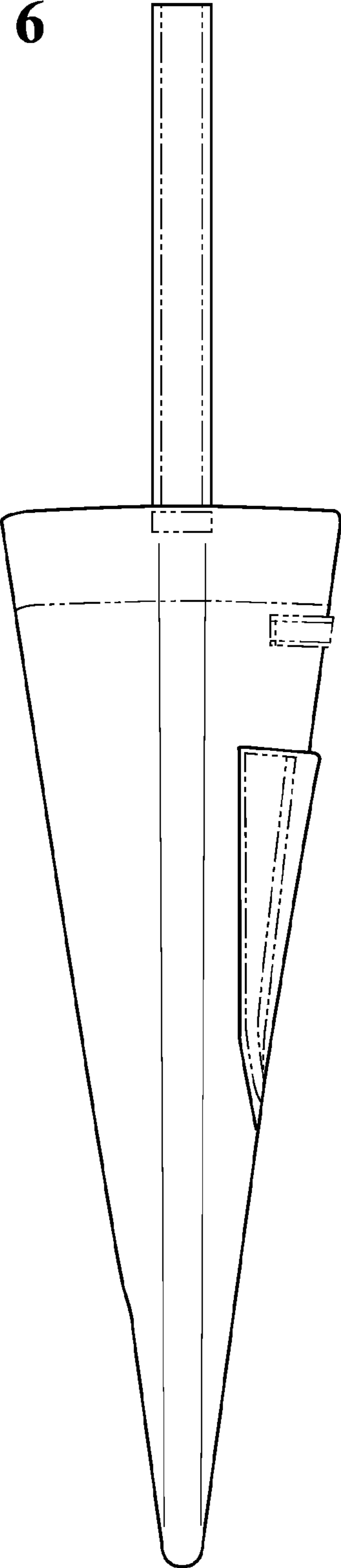
**FIG. 4**



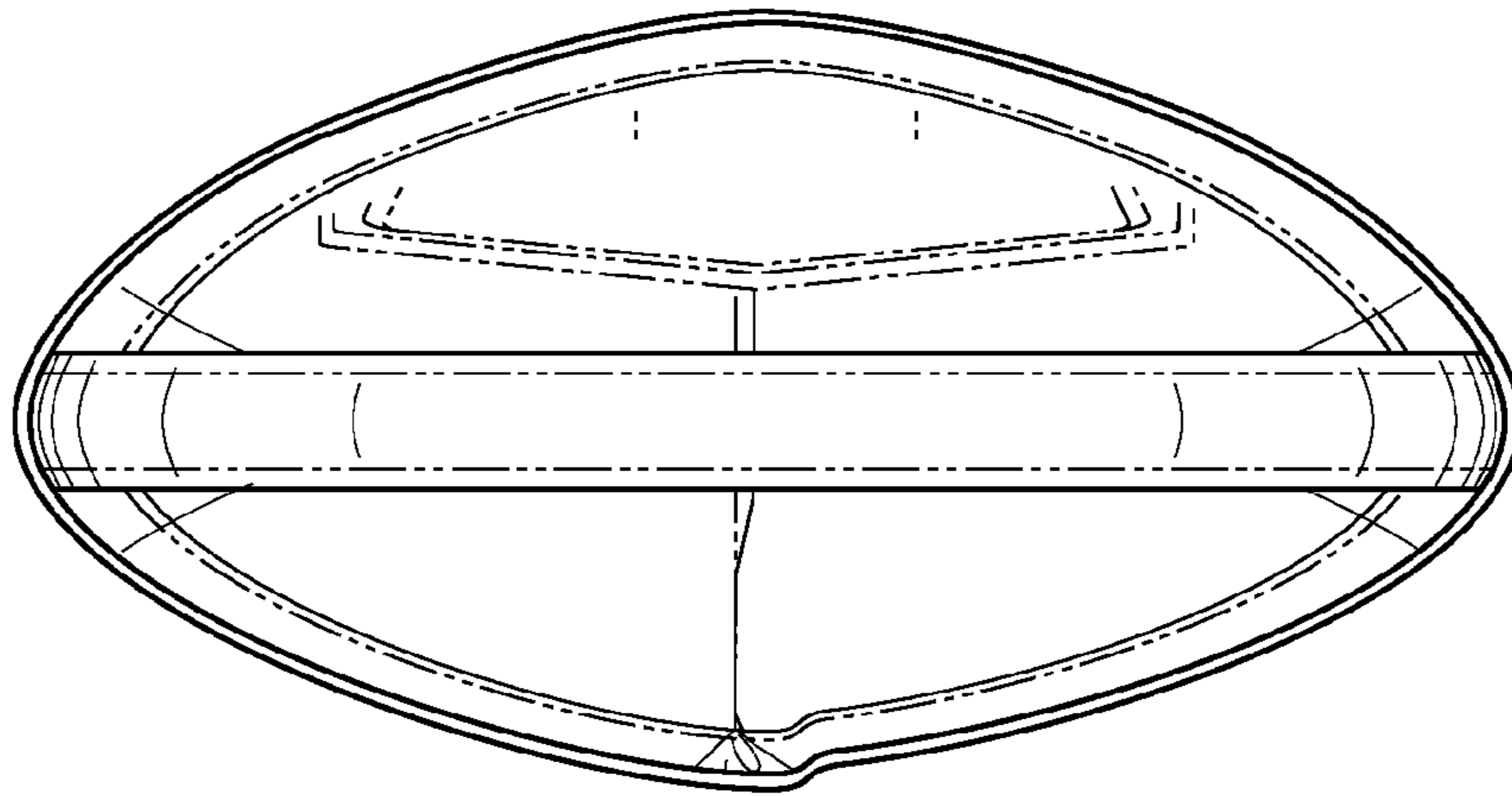
**FIG. 5**



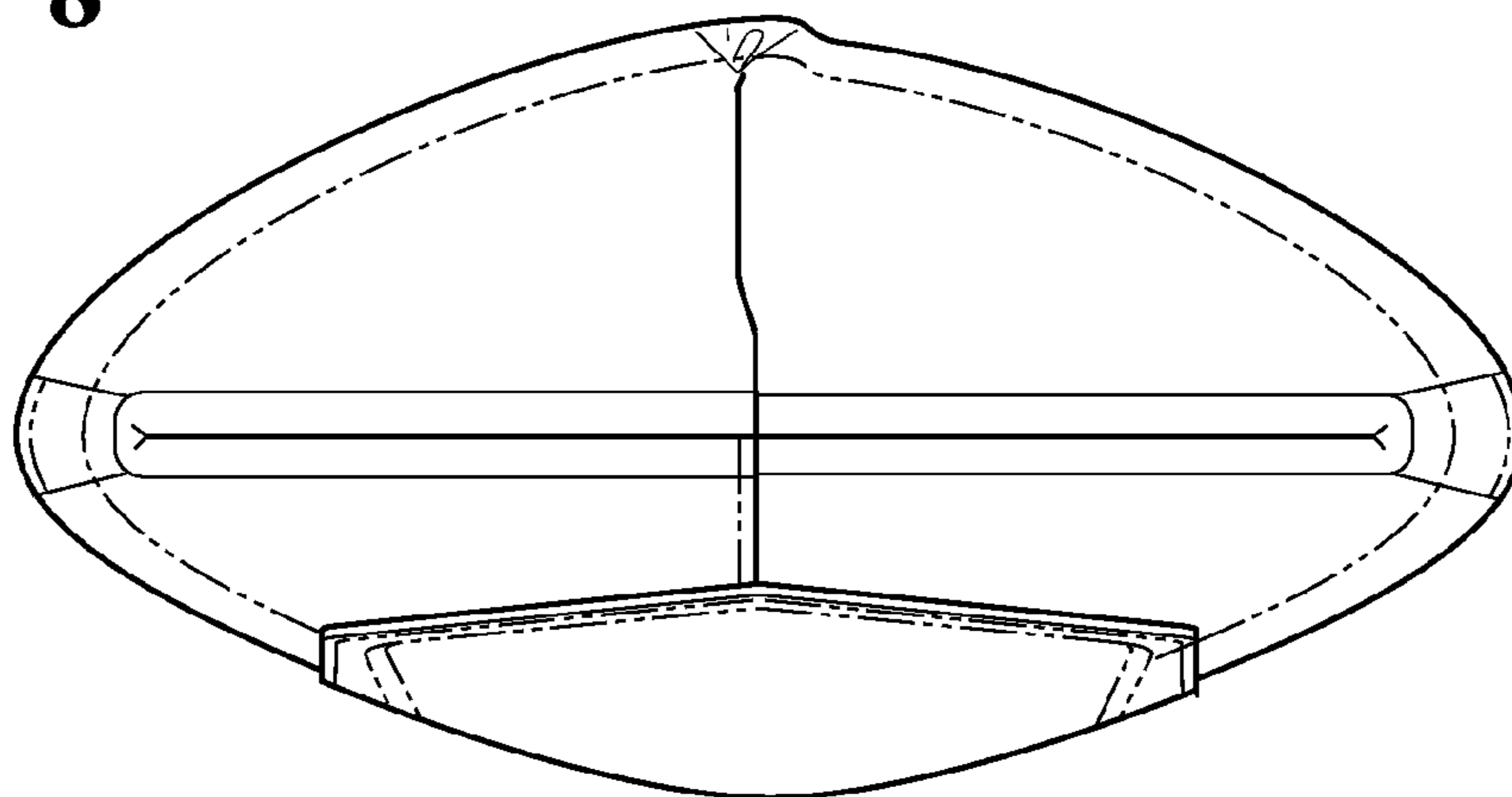
**FIG. 6**



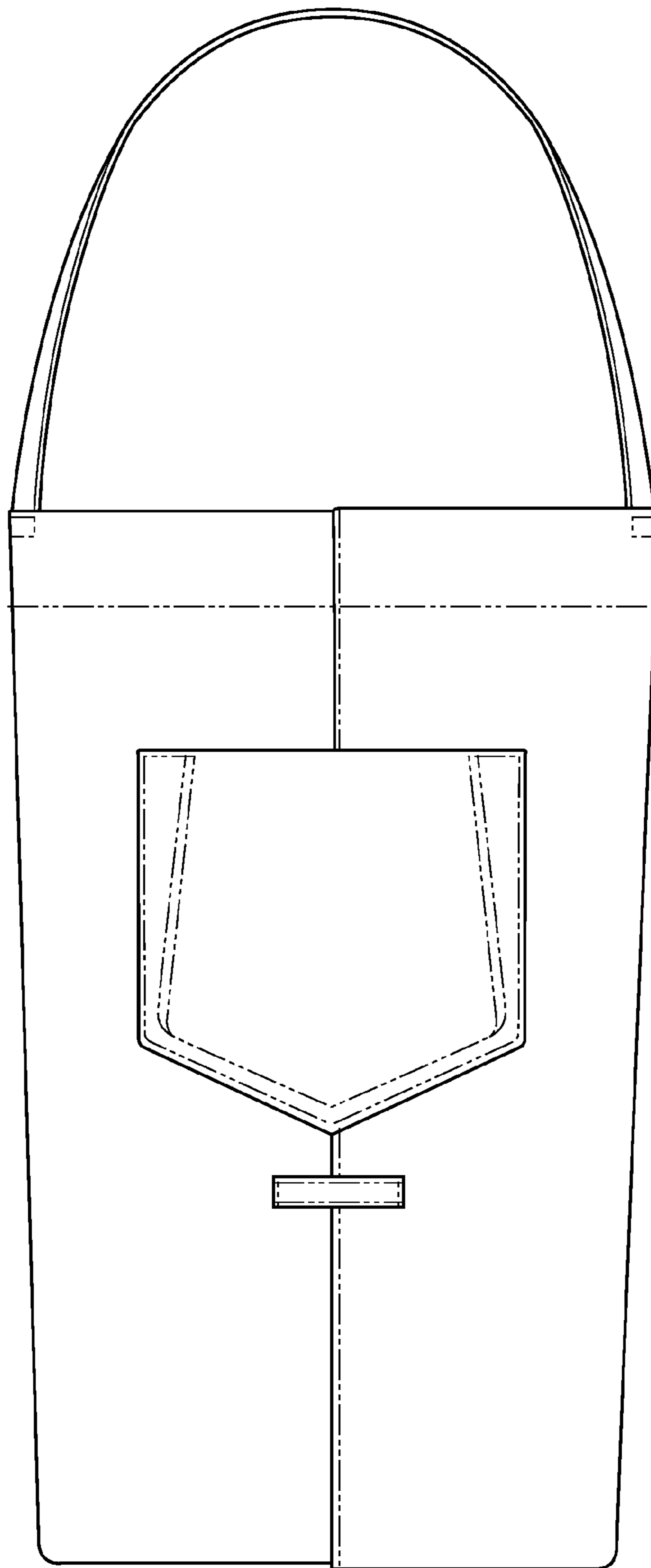
**FIG. 7**



**FIG. 8**



**FIG. 9**





**FIG. 10**

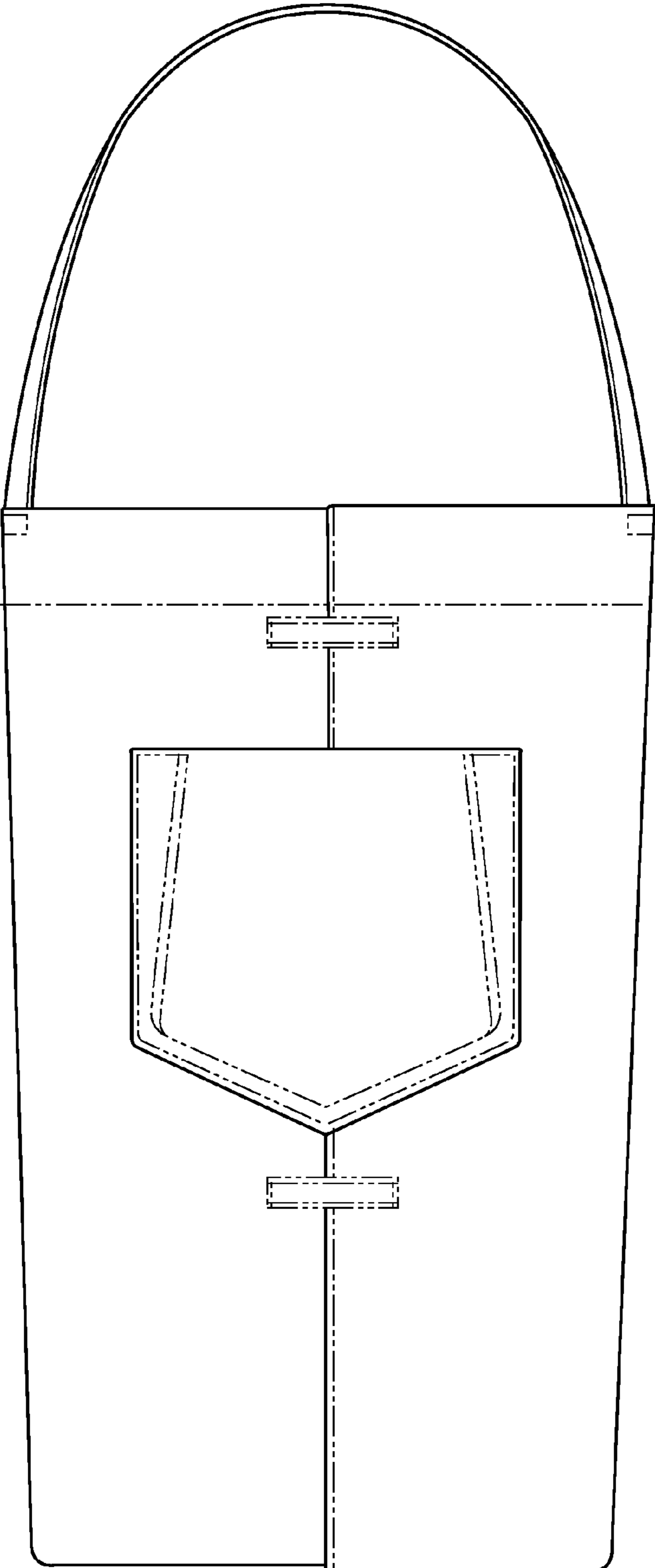


FIG. 11

