



US00D651395S

(12) **United States Design Patent**
Norling et al.

(10) **Patent No.:** **US D651,395 S**
(45) **Date of Patent:** **** Jan. 3, 2012**

(54) **FIRE STEEL HOLDER**

(75) Inventors: **Tore Norling**, Vamhus (SE); **Roger Wikstrom**, Alvdalen (SE)

(73) Assignee: **Mora of Sweden AB**, Mora (SE)

(**) Term: **14 Years**

(21) Appl. No.: **29/365,885**

(22) Filed: **Jul. 16, 2010**

(51) **LOC (9) Cl.** **03-01**

(52) **U.S. Cl.** **D3/220**

(58) **Field of Classification Search** D22/108,
D22/199; D8/381-394; 89/177; 248/231.8,
248/226.11, 227.2, 300, 231.4, 313; D11/200-231;
24/336, 350, 138, 16 R

See application file for complete search history.

(56) **References Cited**

U.S. PATENT DOCUMENTS

1,282,511	A *	10/1918	Werner	220/23.83
3,033,412	A *	5/1962	Fox	220/23.4
D326,927	S *	6/1992	Catalina	D26/138
D408,269	S *	4/1999	Ross	D8/356
D430,699	S *	9/2000	Coleman, Jr.	D26/138
D435,684	S *	12/2000	Gary et al.	D26/138
6,477,744	B1 *	11/2002	Miles	24/3.12
D584,599	S *	1/2009	Chavez	D8/356
D598,603	S *	8/2009	Cunius	D26/138
D637,457	S *	5/2011	Thompson	D7/600.1

* cited by examiner

Primary Examiner — T. Chase Nelson

Assistant Examiner — Michael Pratt

(74) *Attorney, Agent, or Firm* — Dilworth & Barrese, LLP.

(57) **CLAIM**

The ornamental design for a fire steel holder, as shown and described.

DESCRIPTION

FIG. 1 is a right front perspective view from above of the fire steel holder showing our new design, and with a knife sheath being illustrated in broken lines;

FIG. 2 is a left front perspective view from below of the fire steel holder of FIG. 1;

FIG. 3 is a right side elevational view of the fire steel holder of FIGS. 1 and 2;

FIG. 4 is a front elevational view of the fire steel holder of FIGS. 1-3;

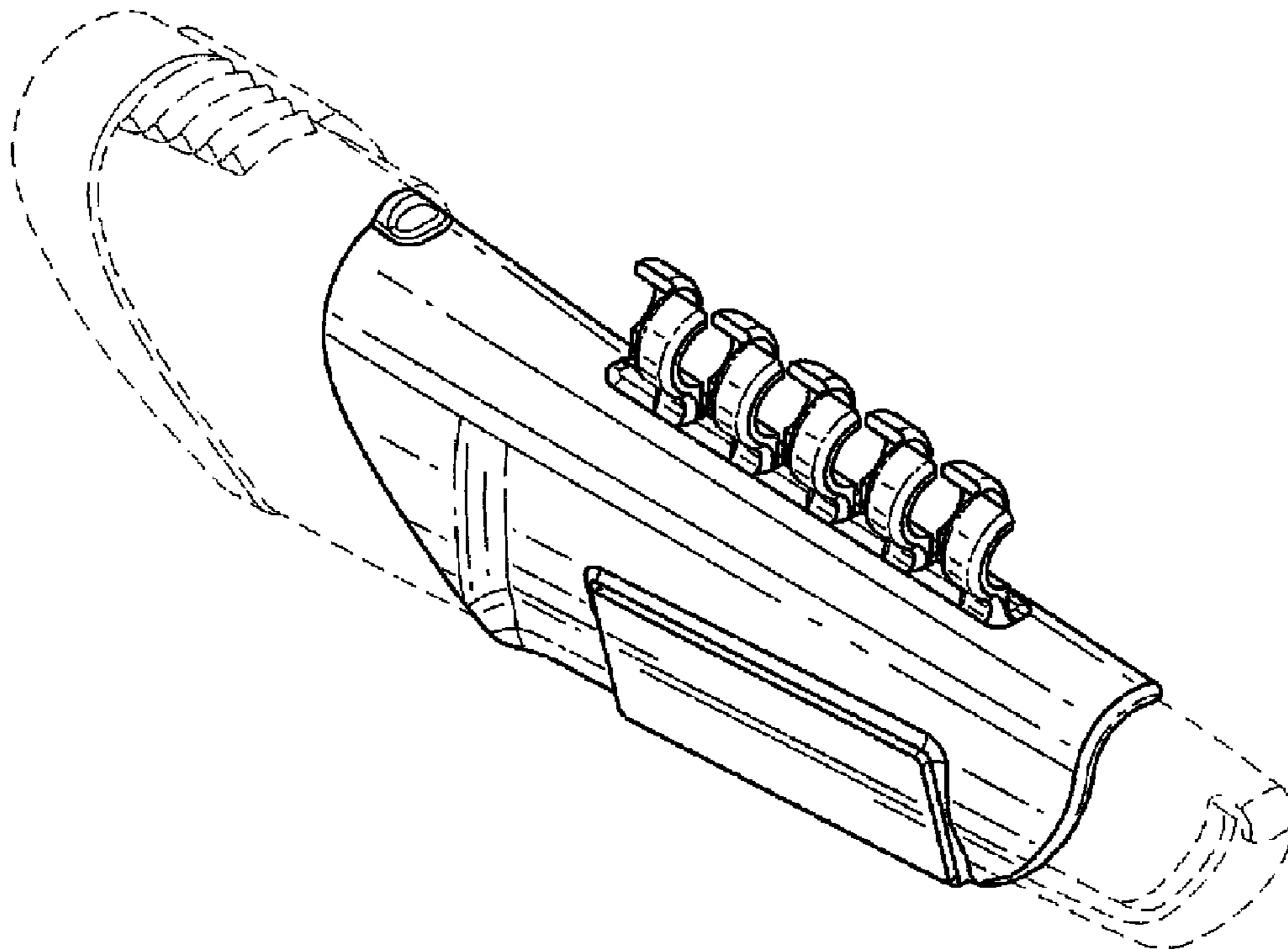
FIG. 5 is a rear elevational view of the fire steel holder of FIGS. 1-4;

FIG. 6 is a top plan view of the fire steel holder of FIGS. 1-5; FIG. 7 is a bottom plan view of the fire steel holder of FIGS. 1-6; and,

FIG. 8 is a left side elevational view of the fire steel holder of FIGS. 1-7.

The broken line showing of a knife sheath in FIGS. 1 through 8 is included for the purpose of illustrating environment and forms no part of the claimed design.

1 Claim, 2 Drawing Sheets



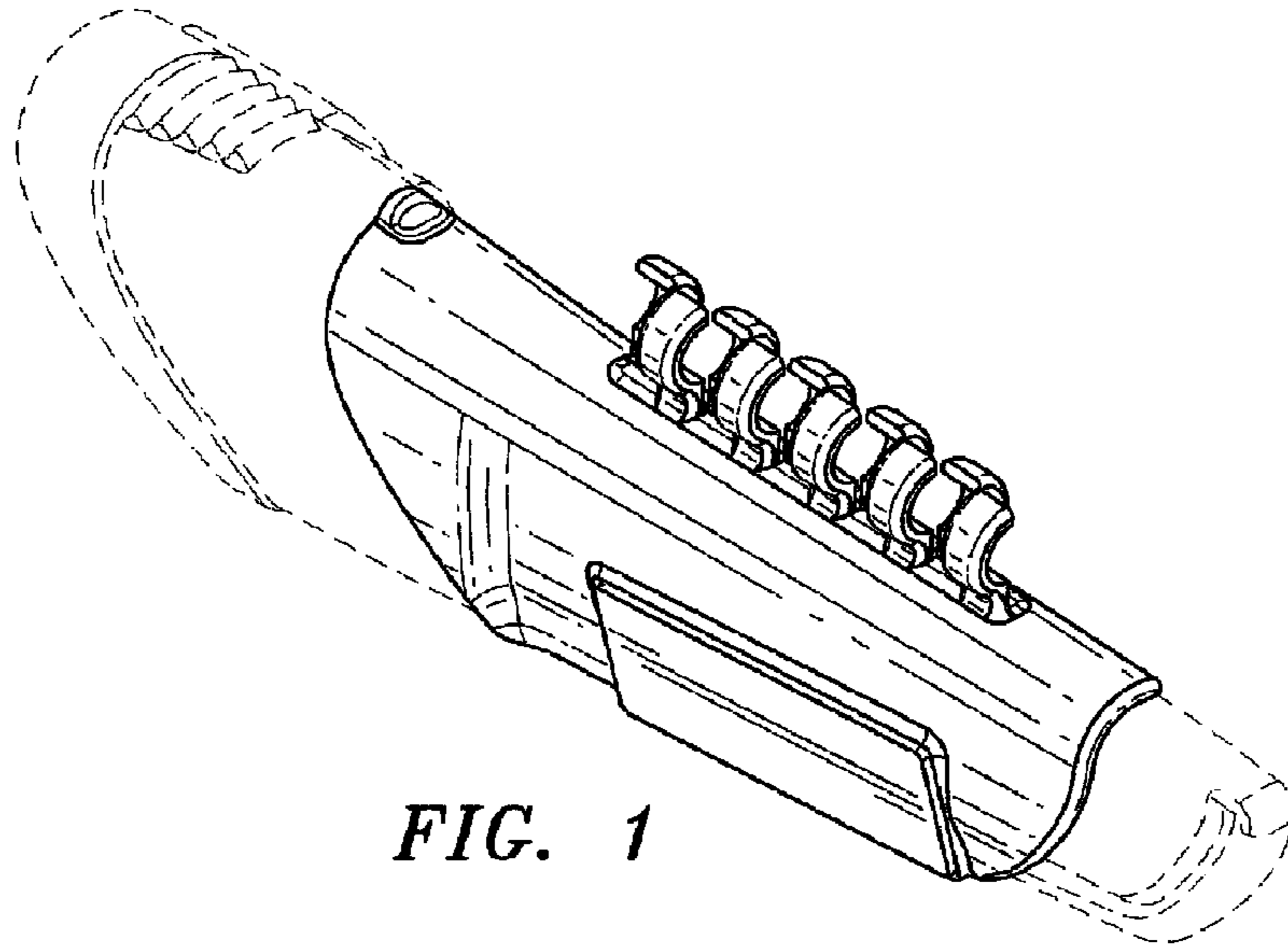


FIG. 1

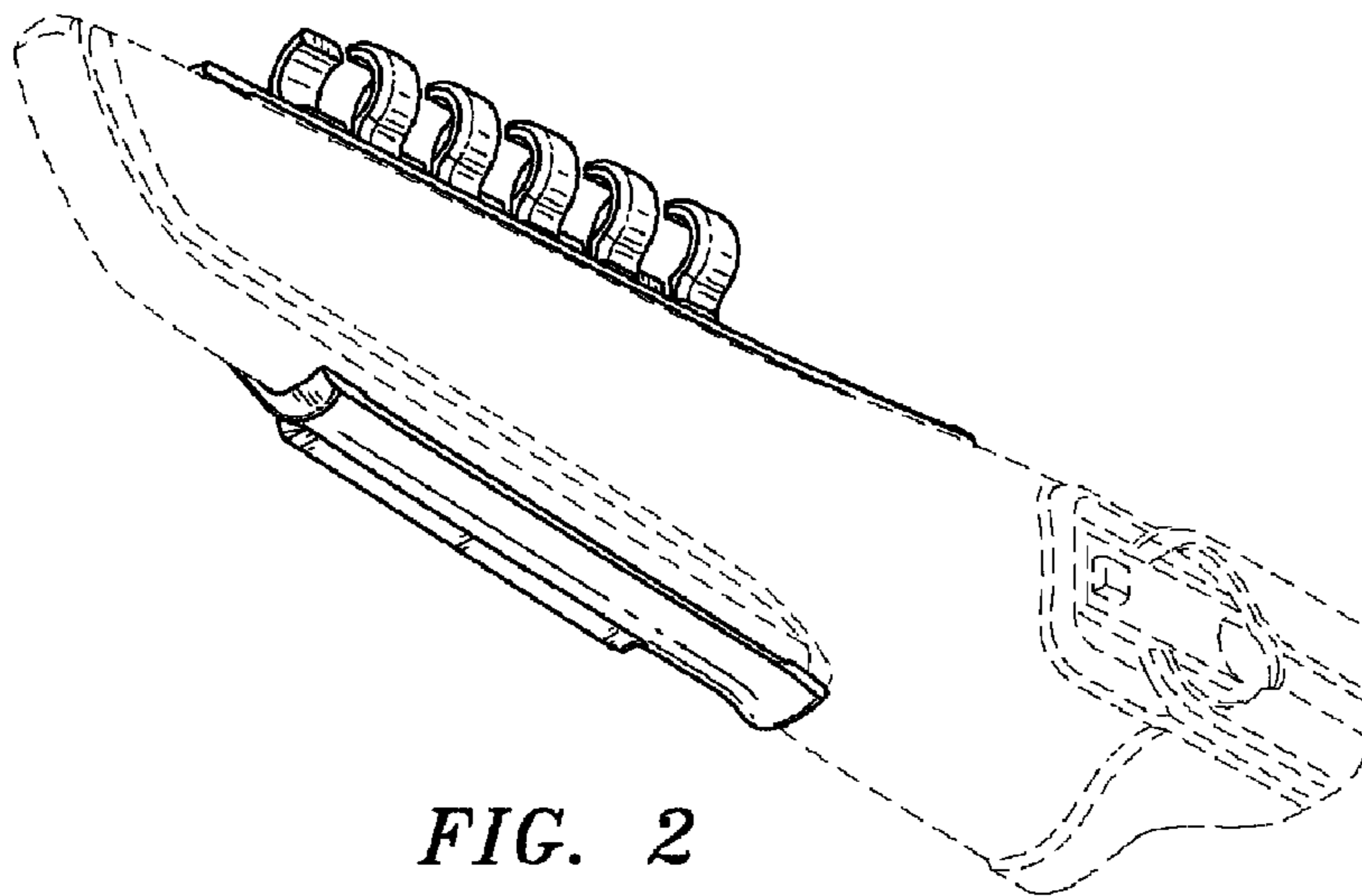


FIG. 2

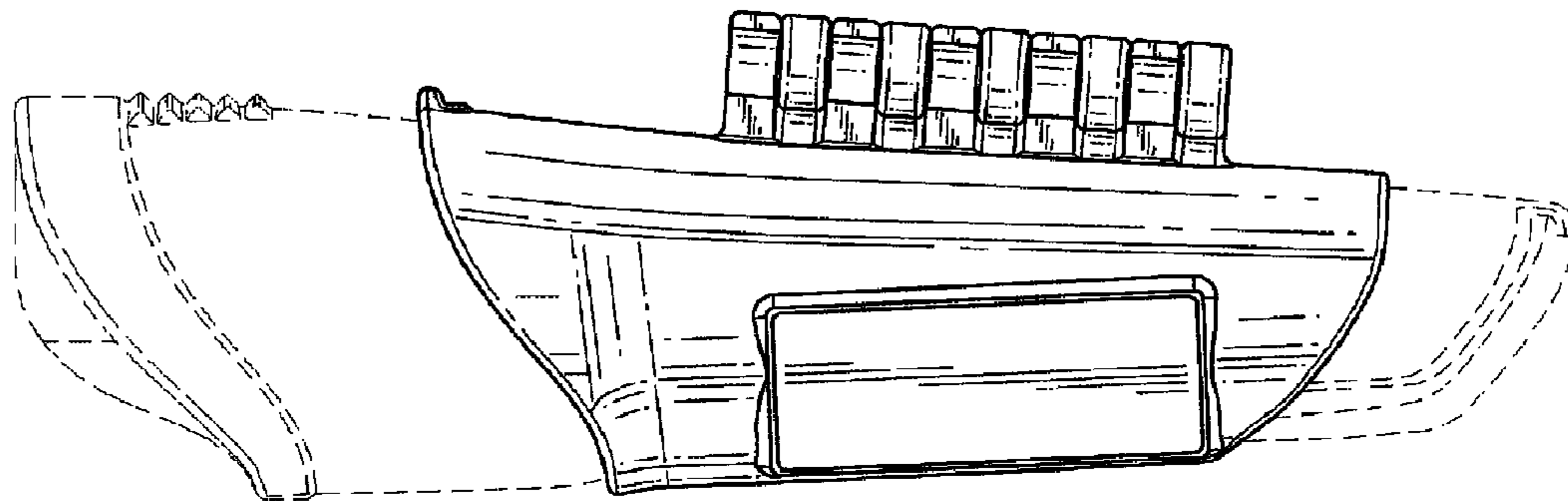


FIG. 3

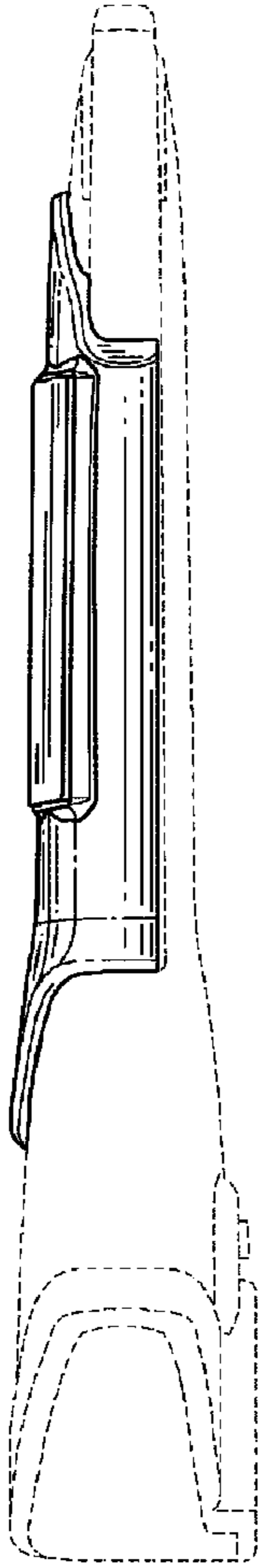


FIG. 7

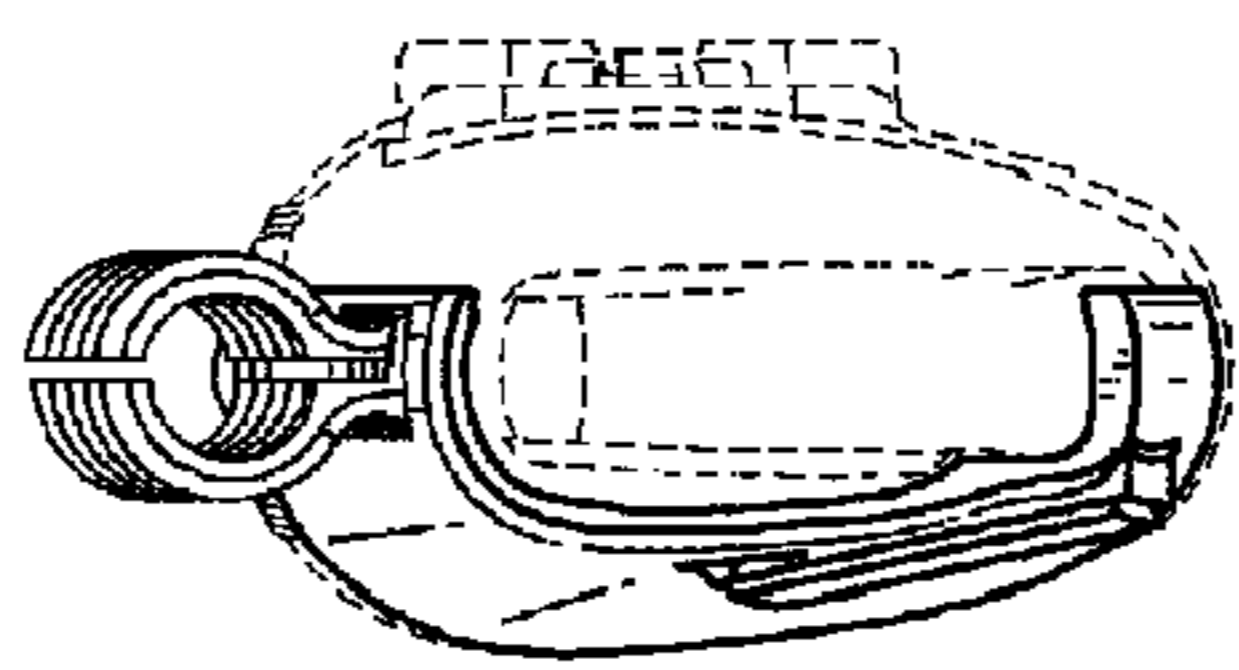


FIG. 4

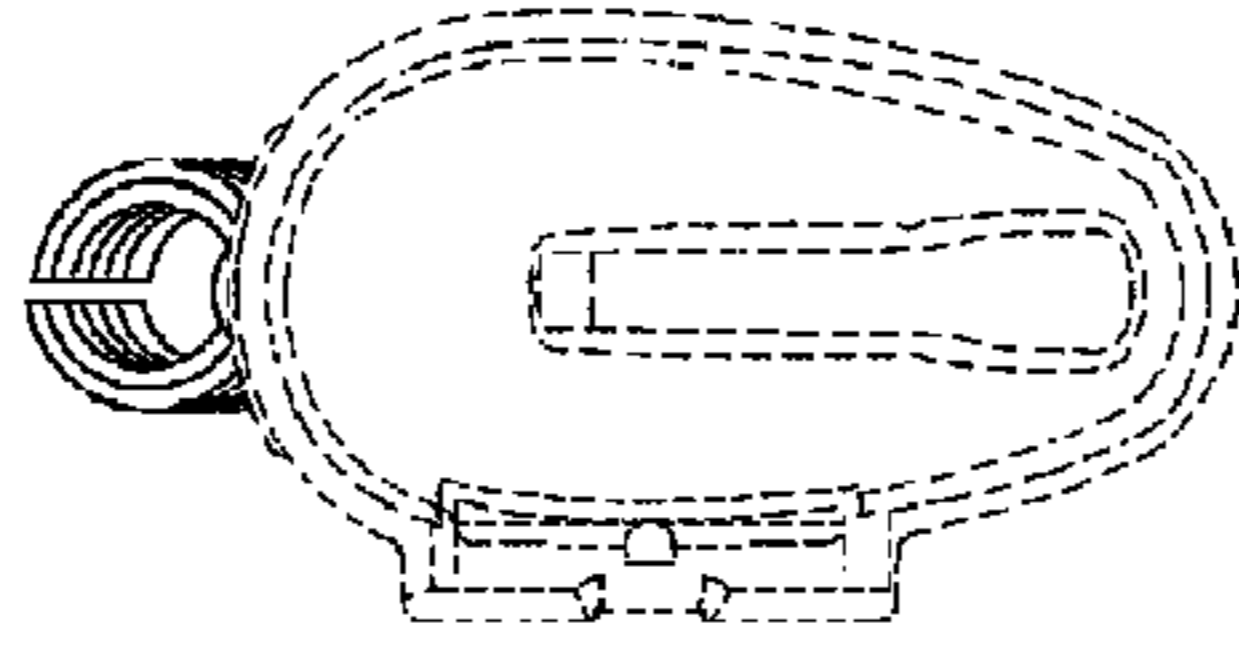


FIG. 5

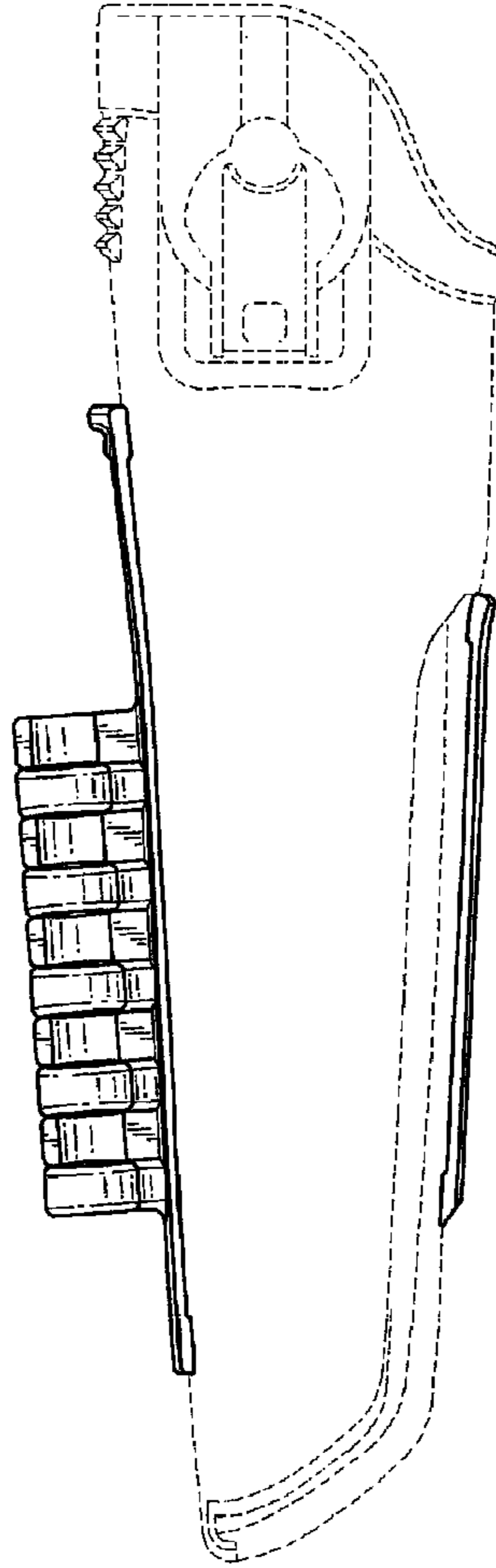


FIG. 8

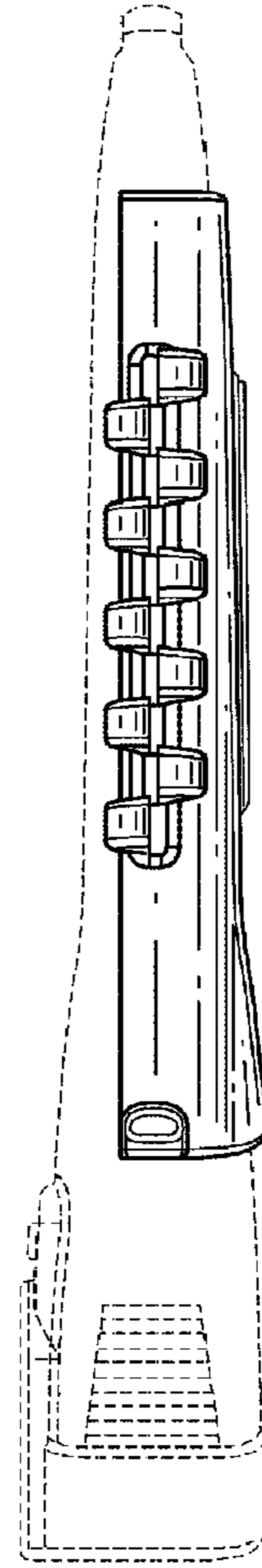


FIG. 6