



US00D651392S

(12) **United States Design Patent**
De Lima

(10) **Patent No.:** **US D651,392 S**
(45) **Date of Patent:** **** Jan. 3, 2012**

(54) **LATERAL PIECE OF A SPOOL BOBBIN SUPPORT**

FOREIGN PATENT DOCUMENTS

AU 2002300767 B2 6/2003

(75) Inventor: **Elias Costa De Lima**, Sao Paulo (BR)

OTHER PUBLICATIONS

(73) Assignee: **Port Roll locação de Bens Móveis Ltda.**, Sao Paulo (BR)

Non-Final Rejection Dated Dec. 10, 2009 Issued in U.S. Appl. No. 29/331,354.

Non-Final Rejection Dated Dec. 08, 2010 Issued in U.S. Appl. No. 29/357,294.

(**) Term: **14 Years**

Primary Examiner — Celia A. Murphy

Assistant Examiner — John Windmuller

(21) Appl. No.: **29/393,260**

(74) *Attorney, Agent, or Firm* — D'Ambrosio & Menon, LLP; Srikant Viswanadham; Usha Menon

(22) Filed: **Jun. 1, 2011**

Related U.S. Application Data

(63) Continuation-in-part of application No. 29/357,294, filed on Mar. 10, 2010, which is a continuation-in-part of application No. 29/331,354, filed on Jan. 23, 2009, now abandoned.

(57) **CLAIM**

The ornamental design for a lateral piece of a spool bobbin support, as shown and described.

(51) **LOC (9) Cl.** **02-07**

(52) **U.S. Cl.** **D3/24**

(58) **Field of Classification Search** D3/18-29;
D8/358, 359, 360.1; 223/106, 120; 242/118.5,
242/118.7, 129.7, 134, 588, 606
See application file for complete search history.

DESCRIPTION

FIG. 1 is a front perspective view of the lateral piece of a spool bobbin support.

FIG. 2 is a rear perspective view of the lateral piece of a spool bobbin support of FIG. 1.

FIG. 3 is rear view of the lateral piece of a spool bobbin support of FIG. 1.

FIG. 4 is a front view of the lateral piece of a spool bobbin support of FIG. 1.

FIG. 5 is a top view of the lateral piece of a spool bobbin support of FIG. 1.

FIG. 6 is a bottom view of the lateral piece of a spool bobbin support of FIG. 1.

FIG. 7 a left side view of the lateral piece of a spool bobbin support of FIG. 1; and,

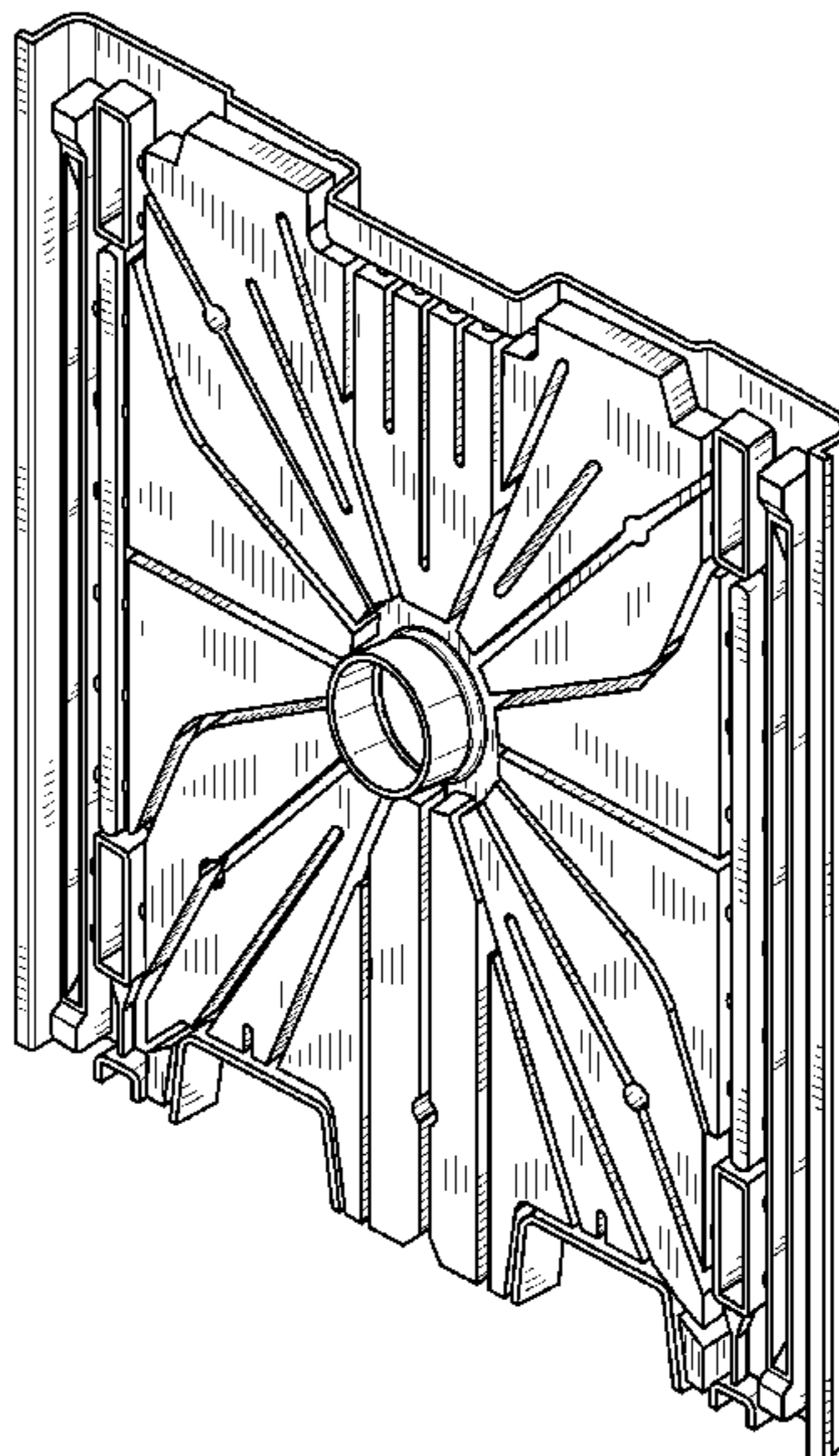
FIG. 8 is a right side view of the lateral piece of a spool bobbin support of FIG. 1.

(56) **References Cited**

U.S. PATENT DOCUMENTS

D122,897 S	10/1940	Lion
3,811,608 A	5/1974	Olney
D243,802 S	3/1977	Samet
D272,485 S	2/1984	Philips
D281,482 S	11/1985	Suzuki
D292,643 S	11/1987	Dick et al.
5,076,510 A	12/1991	Norlander
D327,637 S	7/1992	Sanchez
D337,511 S	7/1993	Donaldson
D504,806 S	5/2005	Basaran et al.
D549,443 S	8/2007	Epling
D600,098 S	9/2009	Allwood

1 Claim, 6 Drawing Sheets



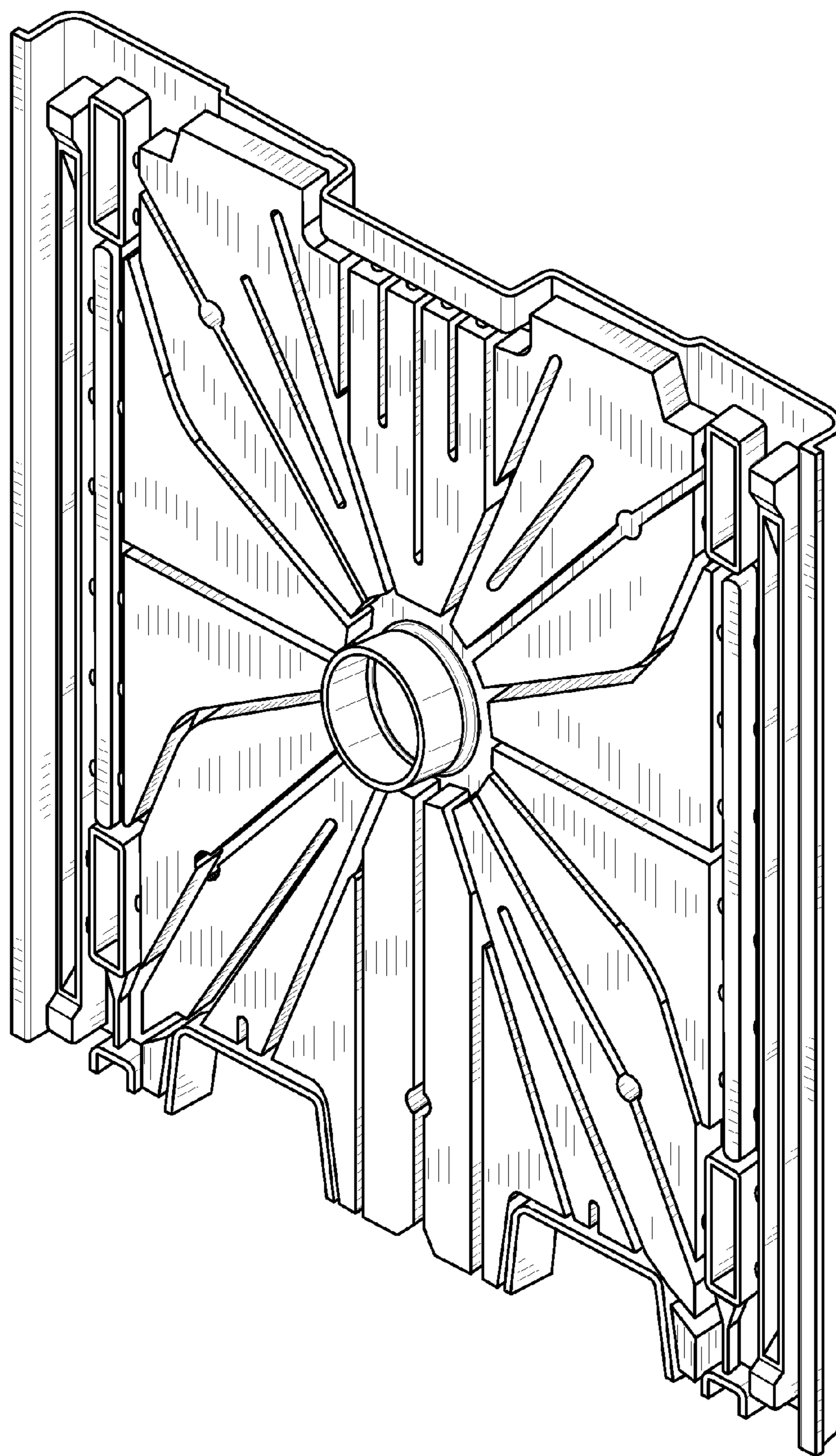


FIG. 1

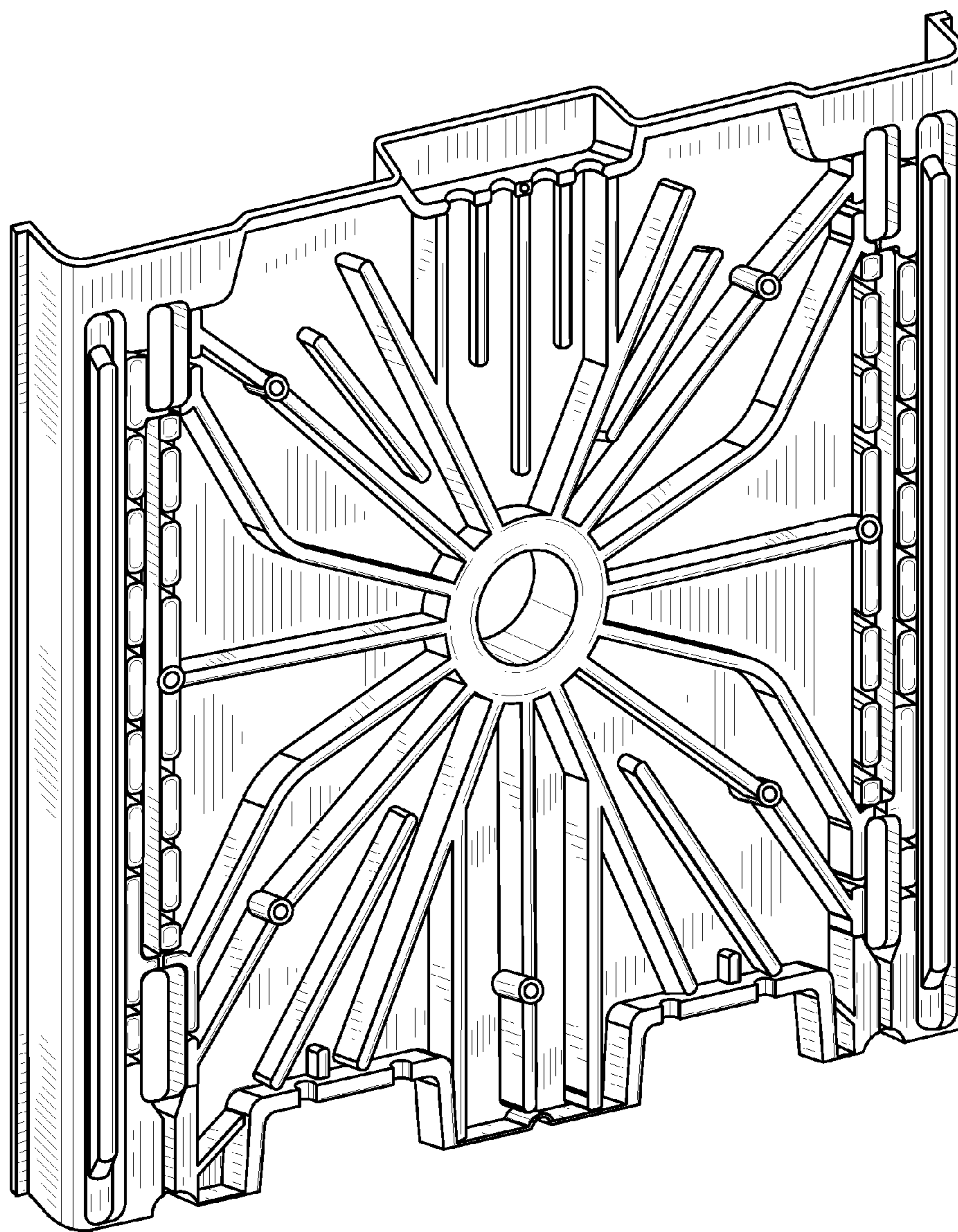


FIG. 2

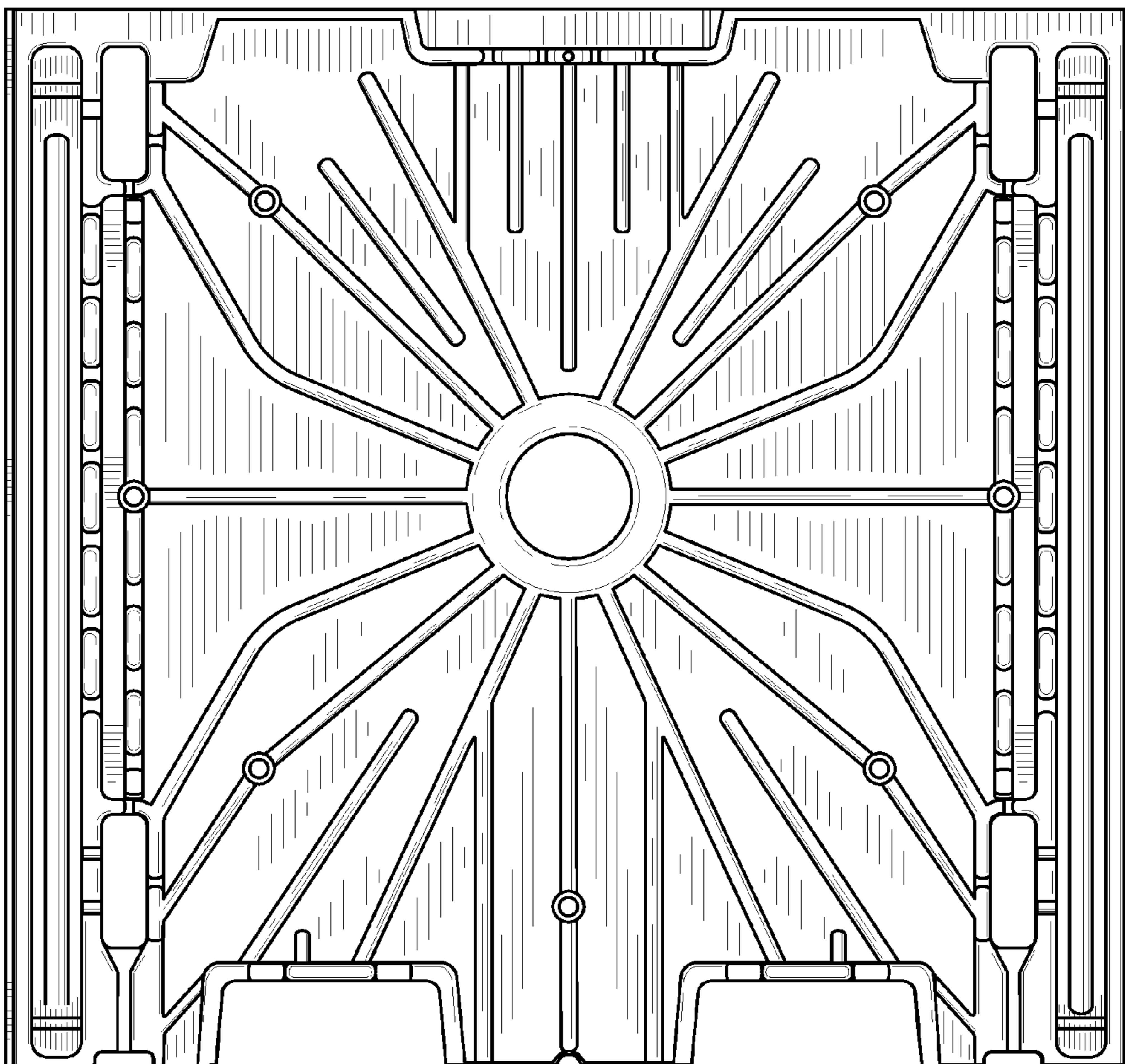


FIG. 3

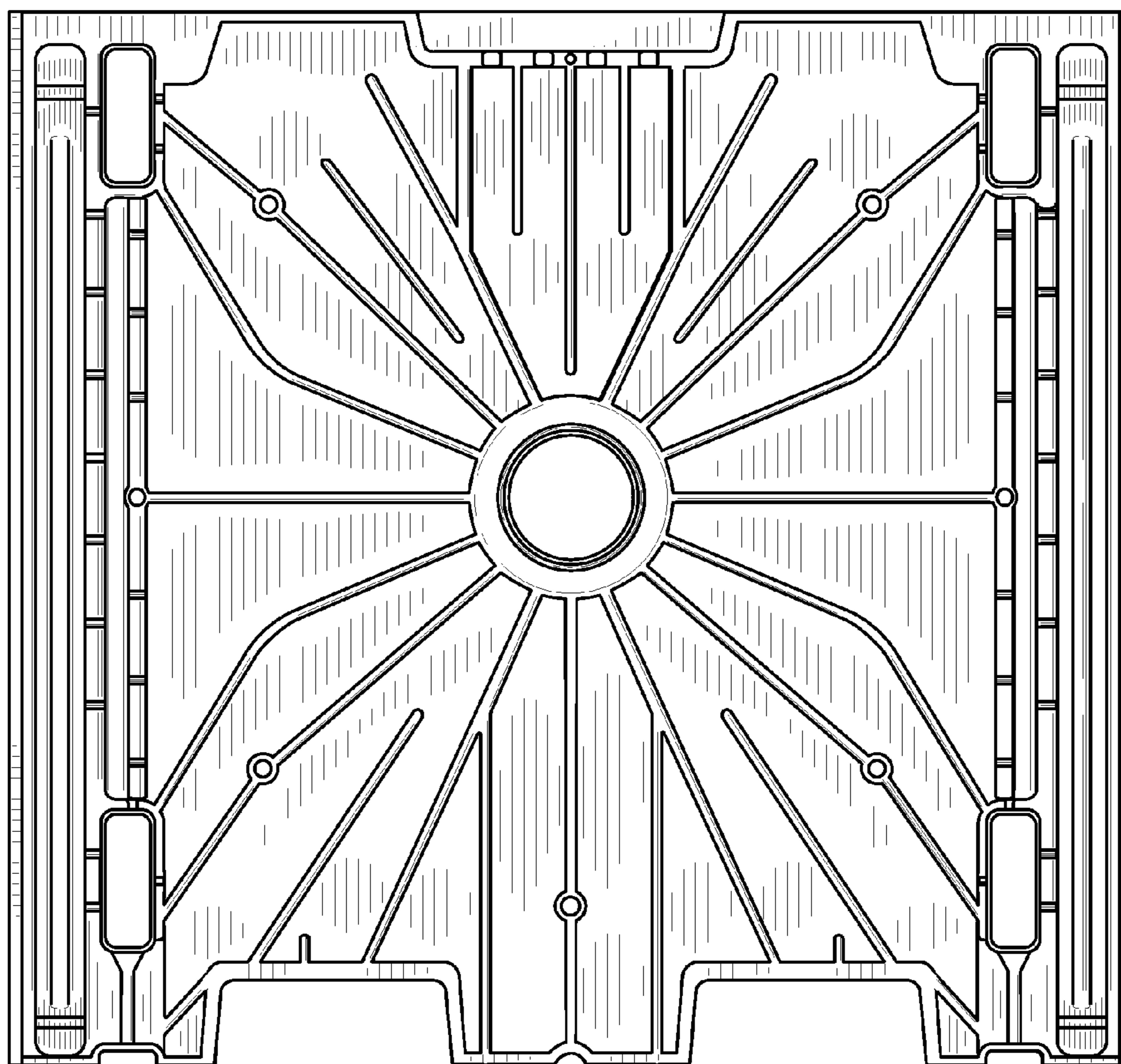


FIG. 4

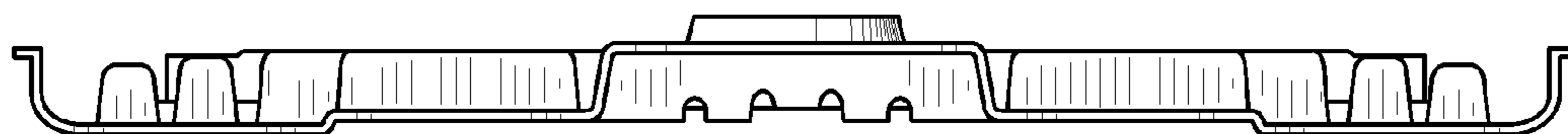


FIG. 5

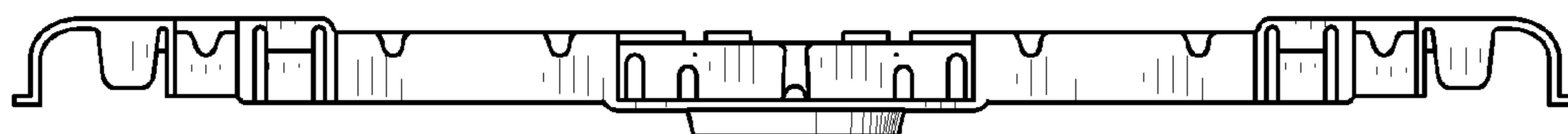


FIG. 6

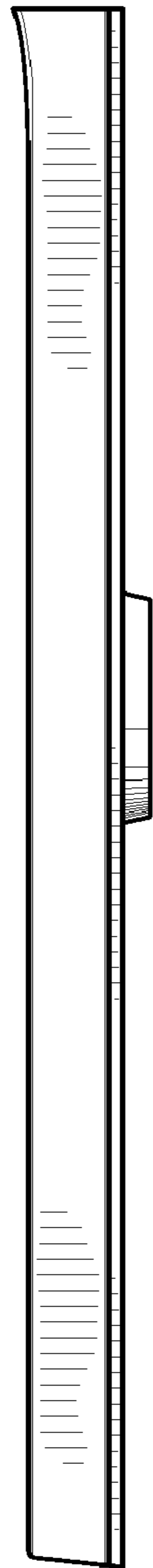


FIG. 7

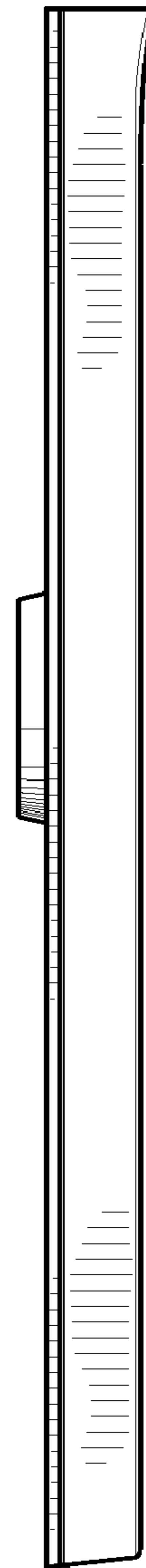


FIG. 8