



US00D651387S

(12) **United States Design Patent**
Van Zyll De Jong et al.

(10) **Patent No.:** **US D651,387 S**
(45) **Date of Patent:** **** Jan. 3, 2012**

(54) **SHOE**

(75) Inventors: **Damian Van Zyll De Jong**, Vancouver (CA); **Matthew Philip Dorrington Penner**, Vancouver (CA); **Thomas Allen Claypool**, Venice, CA (US)

(73) Assignee: **Native Shoes, Ltd.**, Central, Hong Kong (CN)

(**) Term: **14 Years**

(21) Appl. No.: **29/368,661**

(22) Filed: **Aug. 26, 2010**

(51) **LOC (9) Cl.** **02-99**

(52) **U.S. Cl.** **D2/969**

(58) **Field of Classification Search** D2/896,
D2/902, 906-908, 934, 937, 938, 942, 943,
D2/944-94, 951, 969, 972-974, 977; 36/45-49,
36/50.1, 77 M, 77 R, 83, 88, 113, 114, 126-131,
36/25 R-25 A

See application file for complete search history.

(56) **References Cited**

U.S. PATENT DOCUMENTS

D82,079 S *	9/1930	Daniels	D2/974
D90,233 S *	7/1933	Daniels	D2/972
D90,234 S *	7/1933	Daniels	D2/969
D90,235 S *	7/1933	Daniels	D2/972
D157,034 S *	1/1950	Eldon	D2/902
D173,699 S *	12/1954	Hosker	D2/907
D173,700 S *	12/1954	Hosker	D2/907
2,994,972 A *	8/1961	Blair	36/45
D200,846 S *	4/1965	Bovay	D2/908
D223,531 S *	5/1972	McCarthy	D2/907
D226,461 S *	3/1973	Nelson	D2/907

D226,883 S *	5/1973	Babicka et al.	D2/907
D226,885 S *	5/1973	McBarron	D2/907
D229,900 S *	1/1974	Powers	D2/907
D237,425 S *	11/1975	Askew	D2/907
D237,427 S *	11/1975	Thornberry	D2/907
D238,626 S *	2/1976	Senter	D2/907
D239,478 S *	4/1976	Senter	D2/907
D433,560 S *	11/2000	Pawlus	D2/969
D452,769 S *	1/2002	Jacobs	D2/908
D457,297 S *	5/2002	Adams et al.	D2/969
D472,696 S *	4/2003	Magro	D2/902
D499,875 S *	12/2004	Lozano	D2/972
D513,858 S *	1/2006	O'Connor	D2/972
D523,615 S *	6/2006	Burg	D2/969
D548,940 S *	8/2007	Hulbert	D2/969
D602,243 S *	10/2009	Bradford	D2/945
D618,897 S *	7/2010	Liles	D2/972

* cited by examiner

Primary Examiner — Dominic Simone

(74) *Attorney, Agent, or Firm* — Ingrassia Fisher & Lorenz, P.C.

(57) **CLAIM**

The ornamental design for a shoe, as shown and described.

DESCRIPTION

FIG. 1 is a top perspective view of a shoe, showing the claimed design;

FIG. 2 is a side view of the shoe shown in FIG. 1;

FIG. 3 is another side view of the shoe shown in FIG. 1;

FIG. 4 is a top view of the shoe shown in FIG. 1;

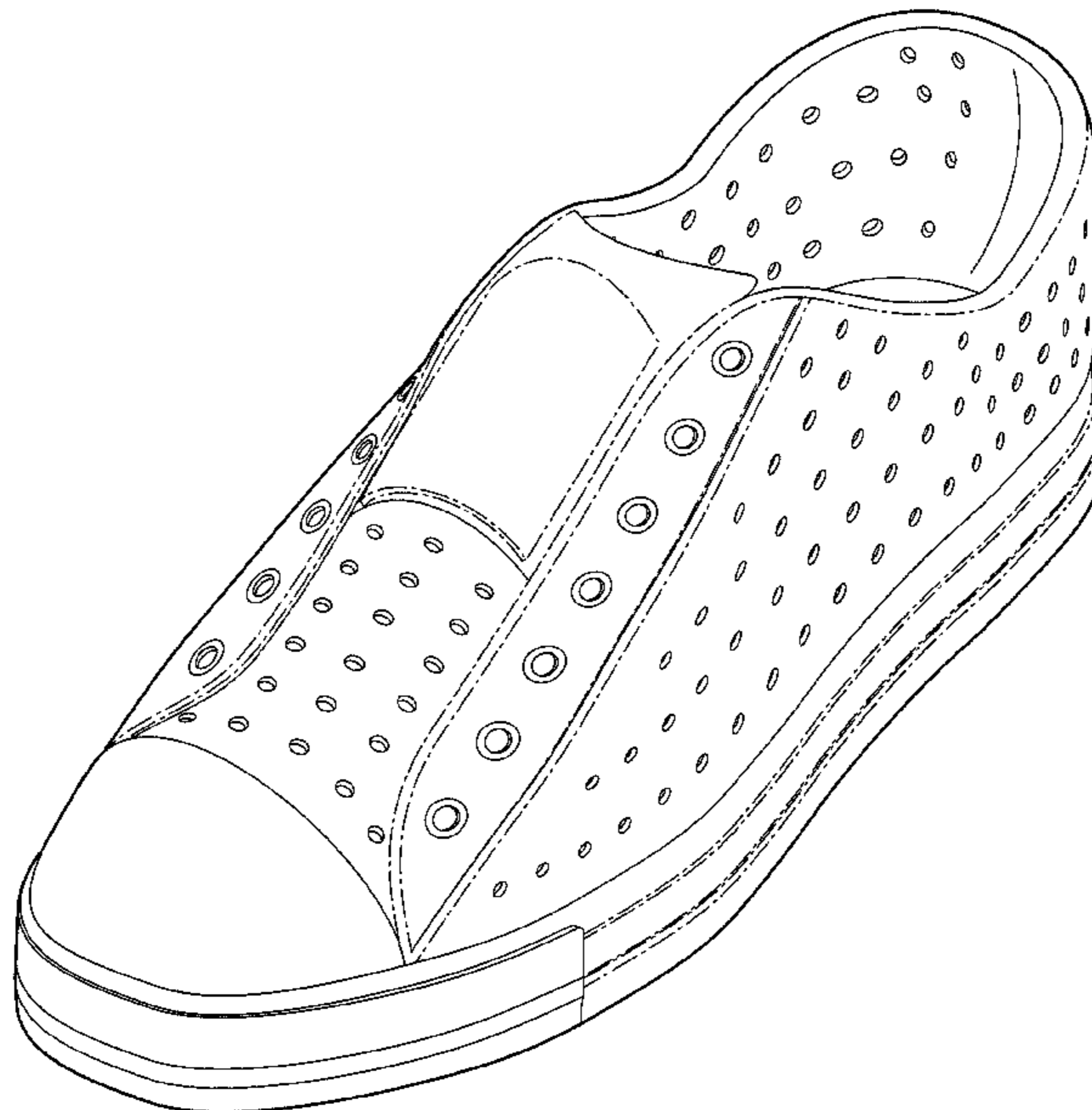
FIG. 5 is a rear view of the shoe shown in FIG. 1;

FIG. 6 is a front view of the shoe shown in FIG. 1; and,

FIG. 7 is a bottom view of the shoe shown in FIG. 1.

Broken lines in the figures are for illustrative purposes only, and form no part of the claimed design.

1 Claim, 4 Drawing Sheets



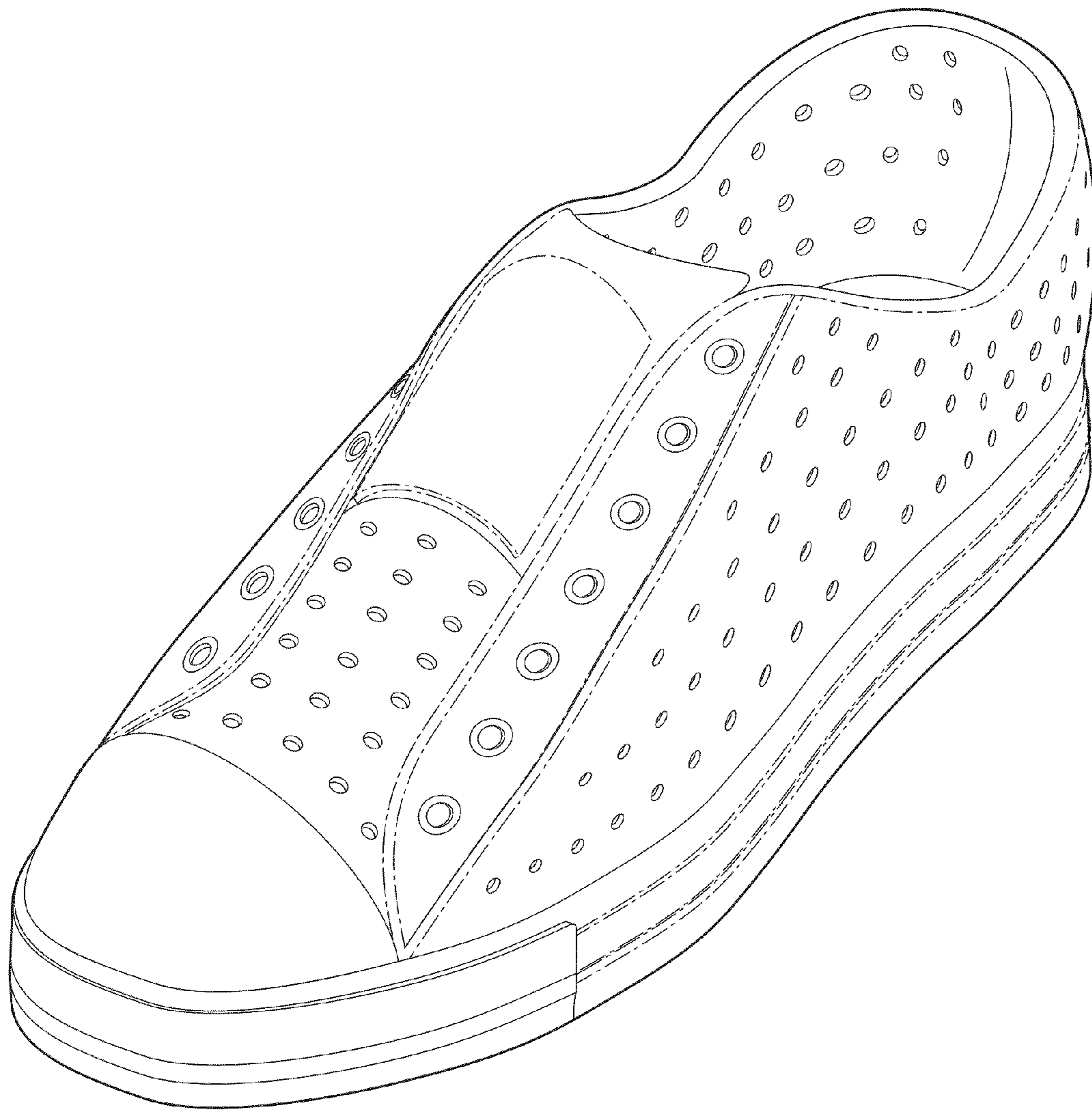


FIG. 1

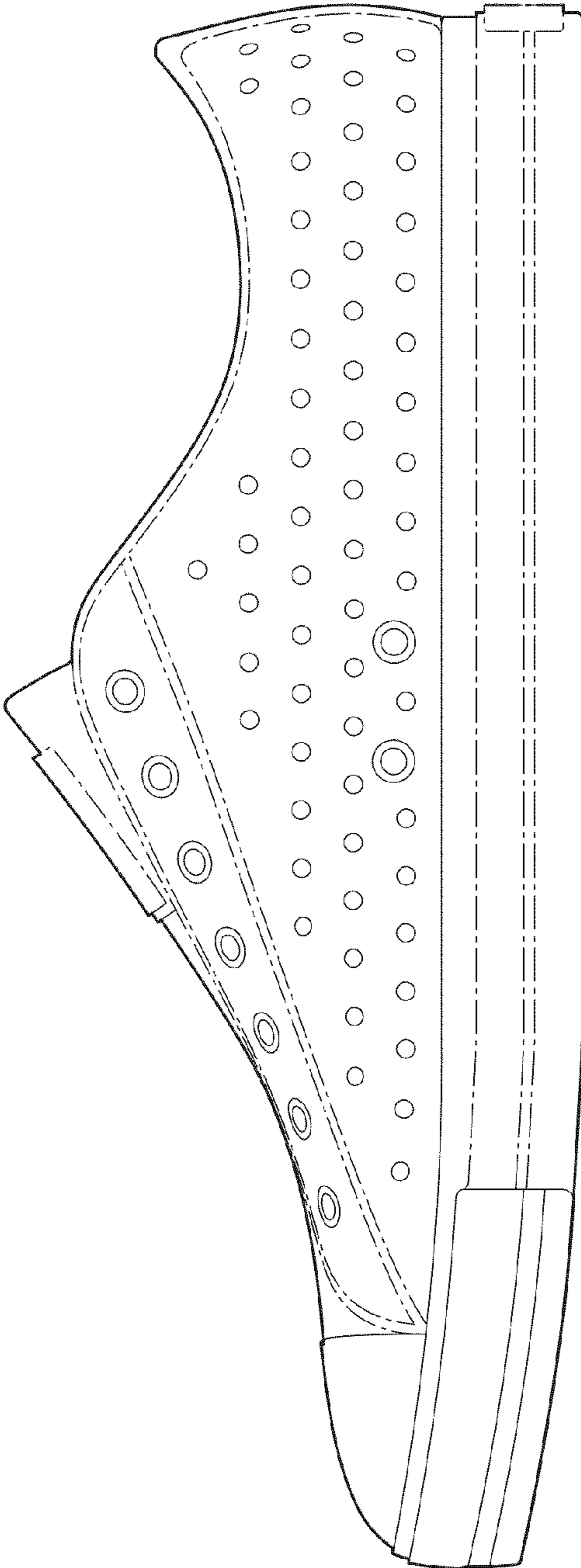


FIG. 2

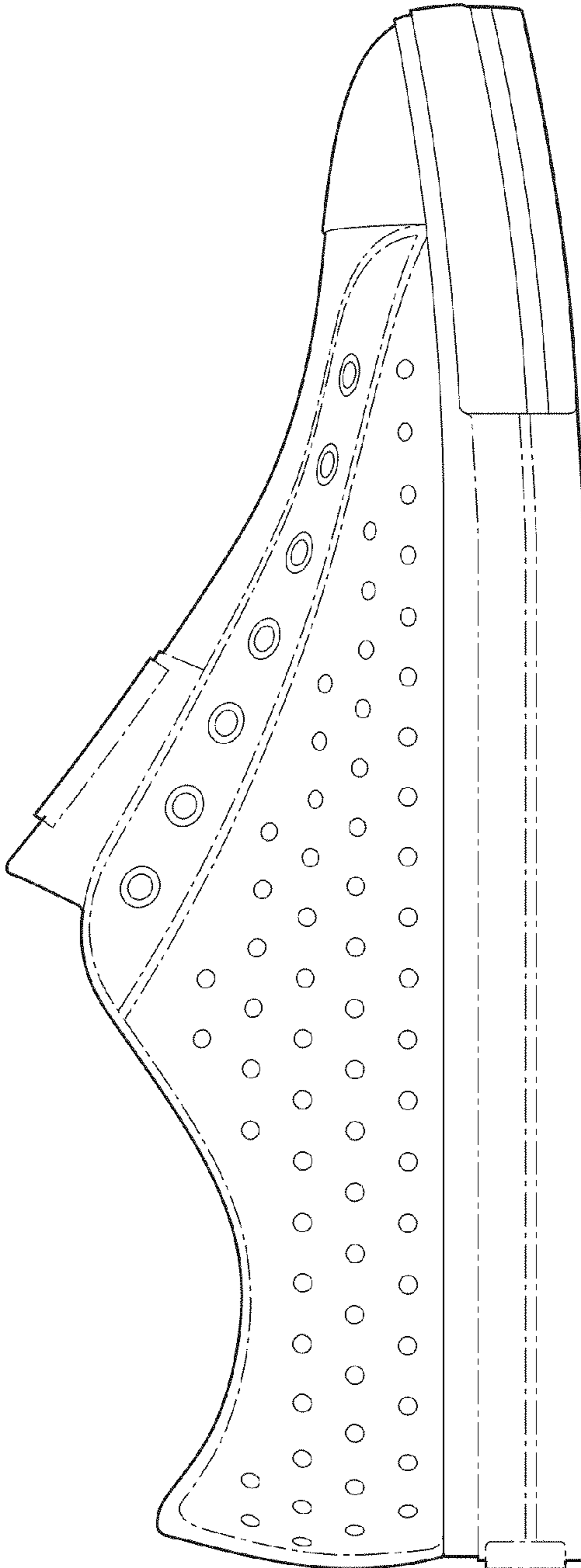


FIG. 3

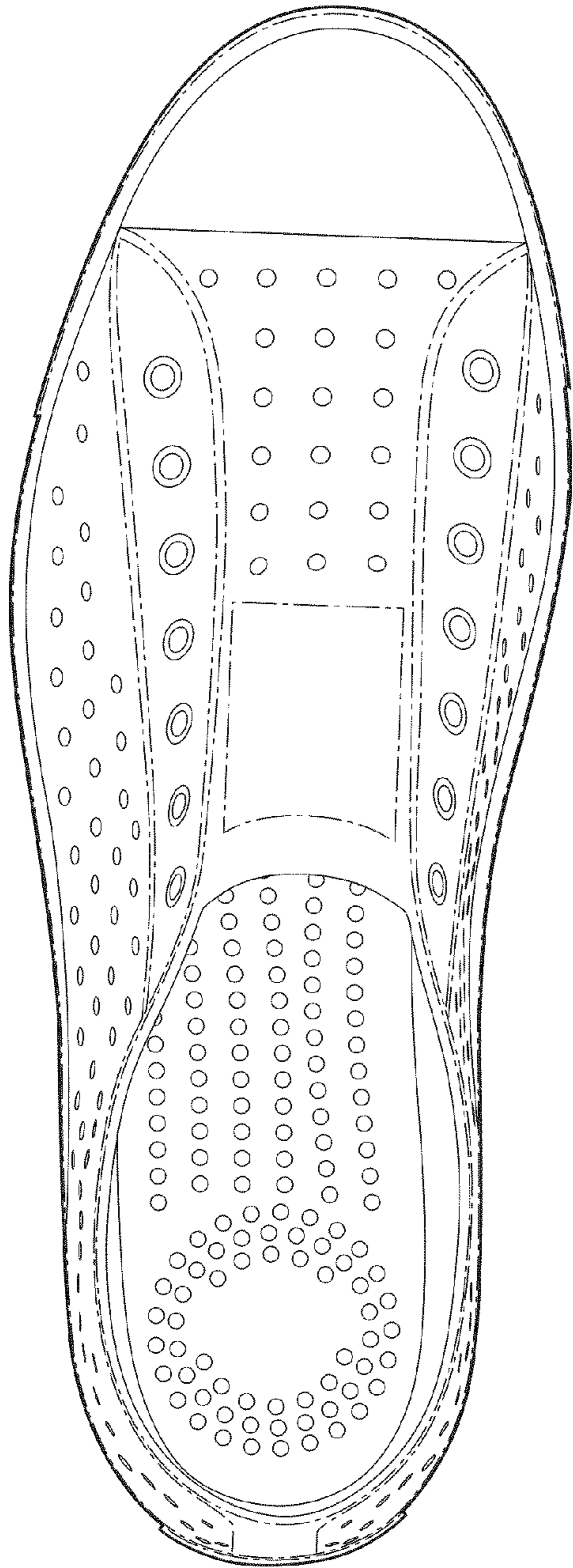


FIG. 4

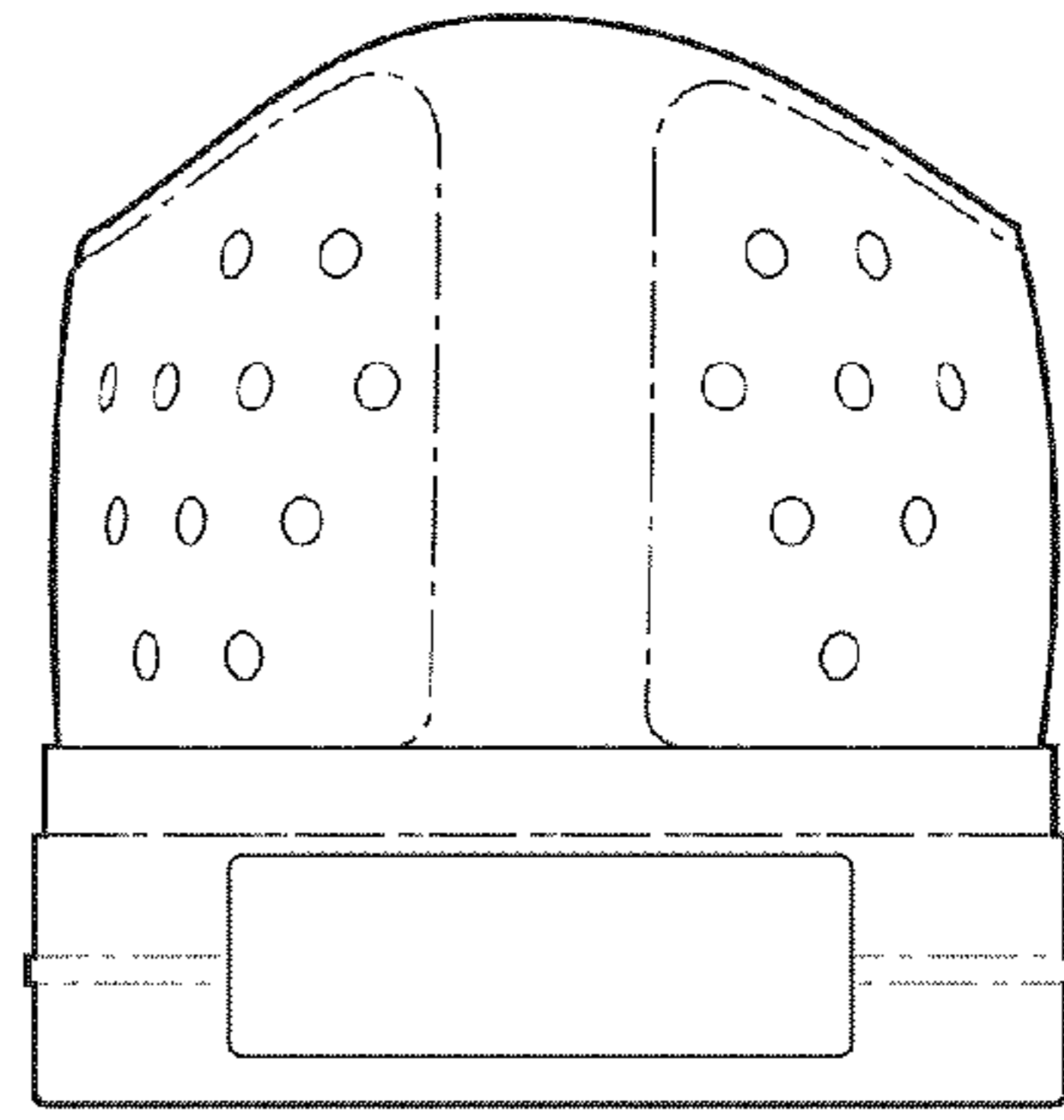


FIG. 5

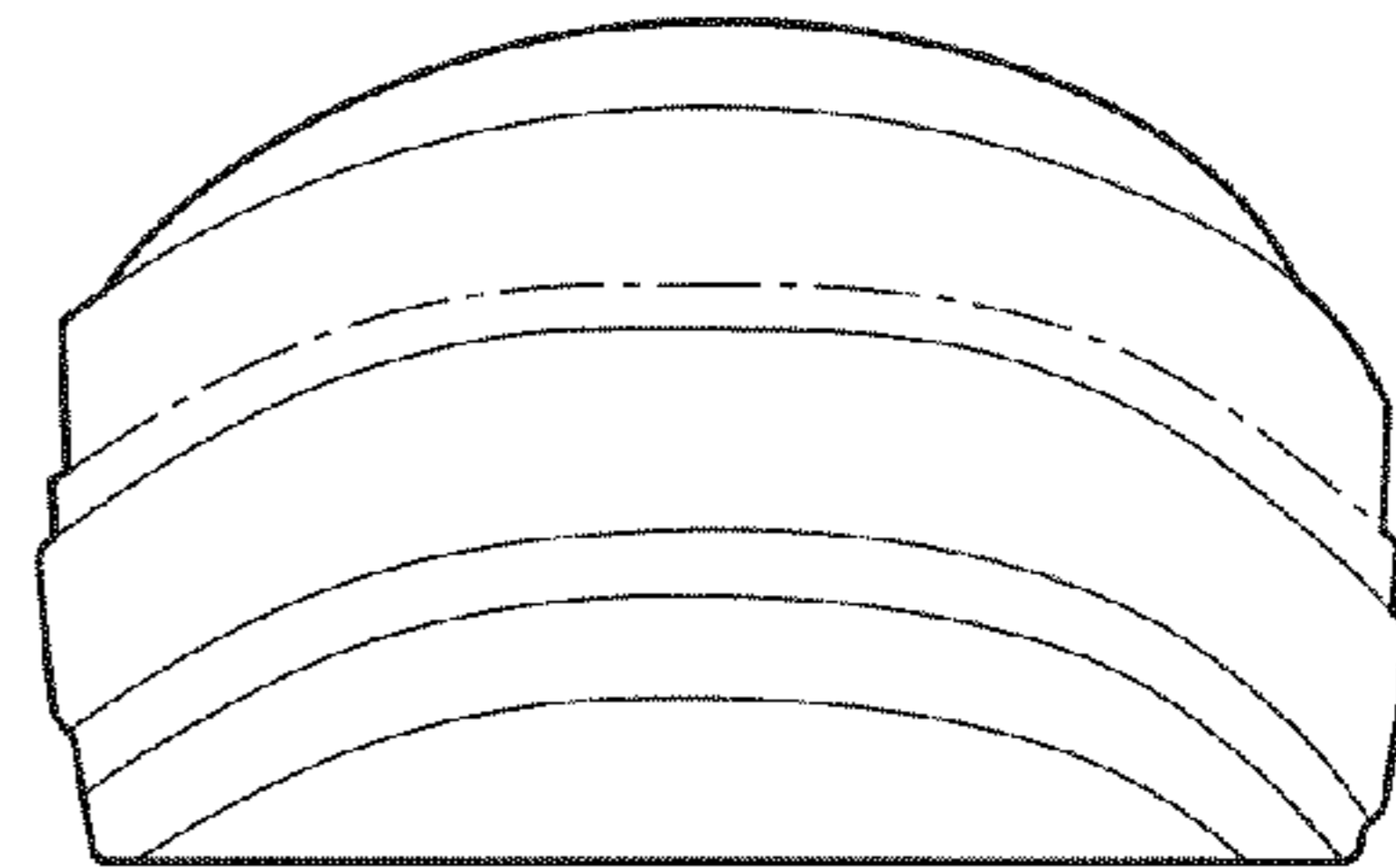


FIG. 6

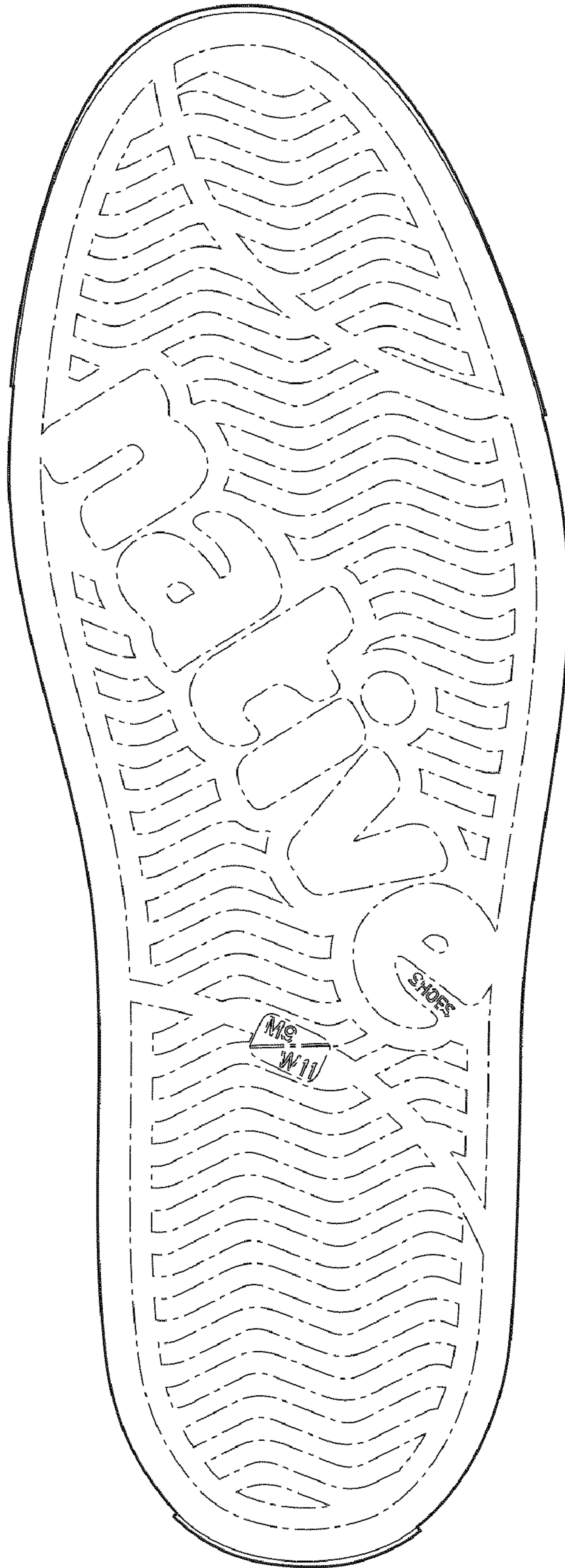


FIG. 7