



US00D651382S

(12) **United States Design Patent**
Reaux

(10) **Patent No.:** **US D651,382 S**
(45) **Date of Patent:** **** Jan. 3, 2012**

(54) **PAIR OF SANDAL UPPERS**
(75) Inventor: **Brian Keith Reaux**, Red Oak, TX (US)
(73) Assignee: **Brian K. Reaux**, Red Oak, TX (US)
(**) Term: **14 Years**

(21) Appl. No.: **29/373,944**
(22) Filed: **Jun. 13, 2011**
(51) **LOC (9) Cl.** **02-04**
(52) **U.S. Cl.** **D2/917; D2/897; D2/969**
(58) **Field of Classification Search** D2/896,
D2/916-918, 946, 969, 971; 36/83, 112,
36/113, 136, 3 A, 7.4, 7.5, 7.6, 11.5
See application file for complete search history.

(56) **References Cited**

U.S. PATENT DOCUMENTS

3,290,802	A *	12/1966	Fukuoka	36/11.5
D207,163	S *	3/1967	Fukuoka	D2/917
4,843,736	A *	7/1989	Courian	36/11.5
D360,973	S *	8/1995	Bailey	D2/969
D446,633	S *	8/2001	Ferris	D2/917
D548,932	S *	8/2007	Choi	D2/917
D559,505	S *	1/2008	Hearn et al.	D2/916
D590,582	S *	4/2009	Torres	D2/917

D596,833	S *	7/2009	Dominquez et al.	D2/917
D617,982	S *	6/2010	Escario	D2/917
D619,341	S *	7/2010	Fu	D2/917

* cited by examiner

Primary Examiner — Rob M Spear
Assistant Examiner — Rashida C McCoy

(57) **CLAIM**

The ornamental design for a pair of sandal uppers, as shown and described.

DESCRIPTION

FIG. 1 is a perspective view of a pair of sandal uppers, showing my new design;
FIG. 2 is a front view of the right foot sandal upper, shown removed from the pair for clarity of disclosure;
FIG. 3 is a left side view thereof;
FIG. 4 is a right side view thereof;
FIG. 5 is a rear view thereof;
FIG. 6 is a top view thereof; and,
FIG. 7 is a bottom view of the left foot sandal, shown removed from the pair for clarity of disclosure.
The broken lines illustrate environmental structure and form no part of the claimed design.

1 Claim, 3 Drawing Sheets





FIG. 1

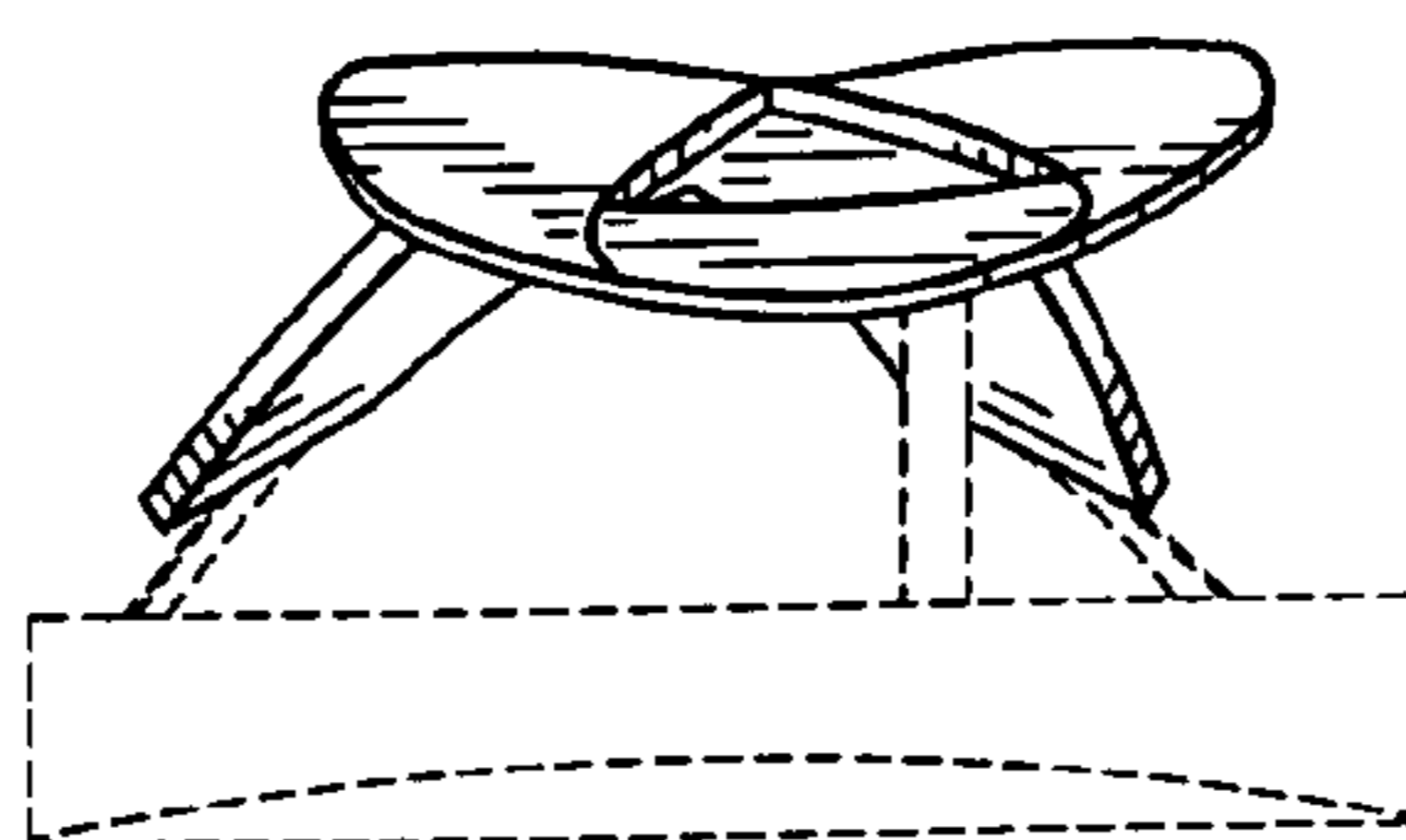


FIG. 2

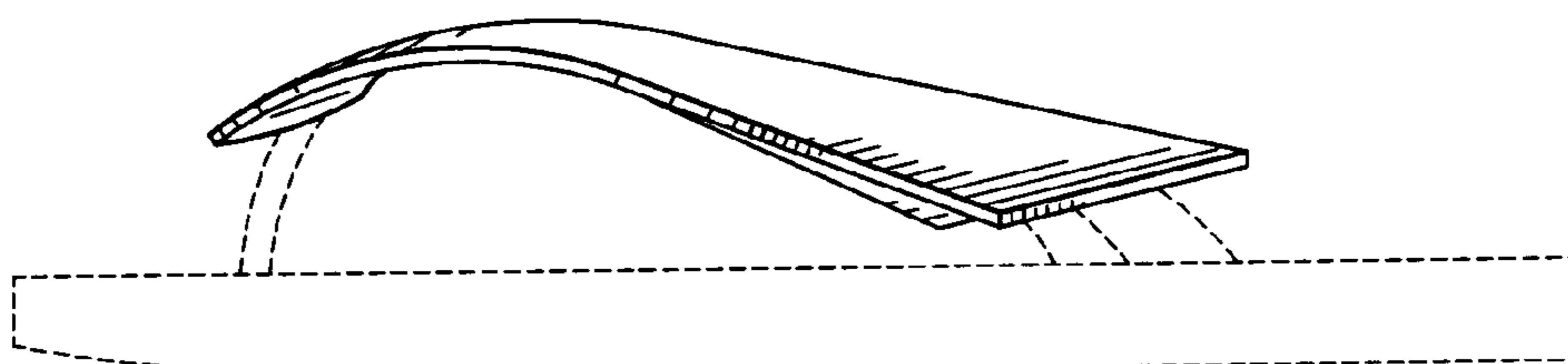


FIG. 3

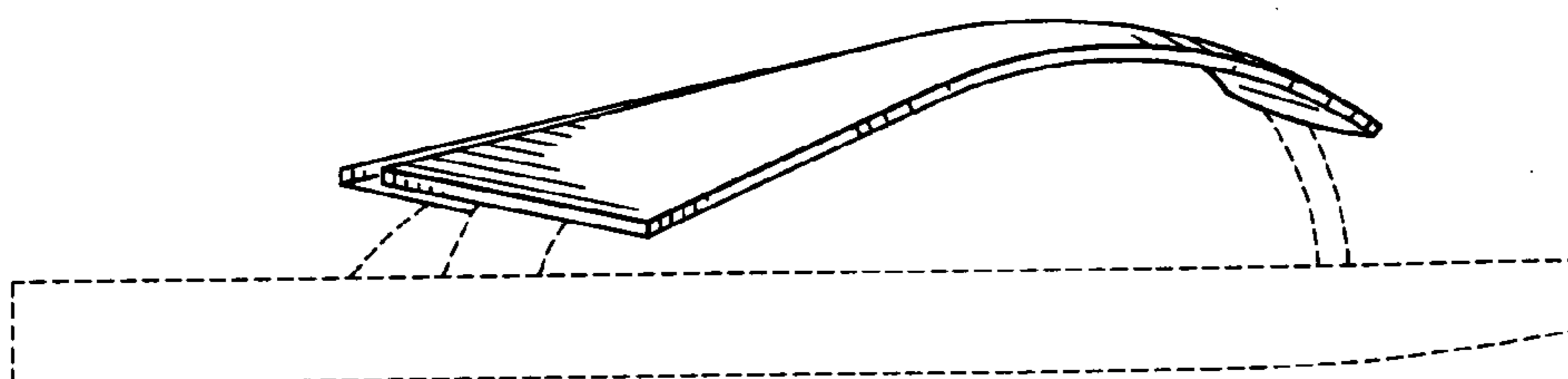


FIG. 4

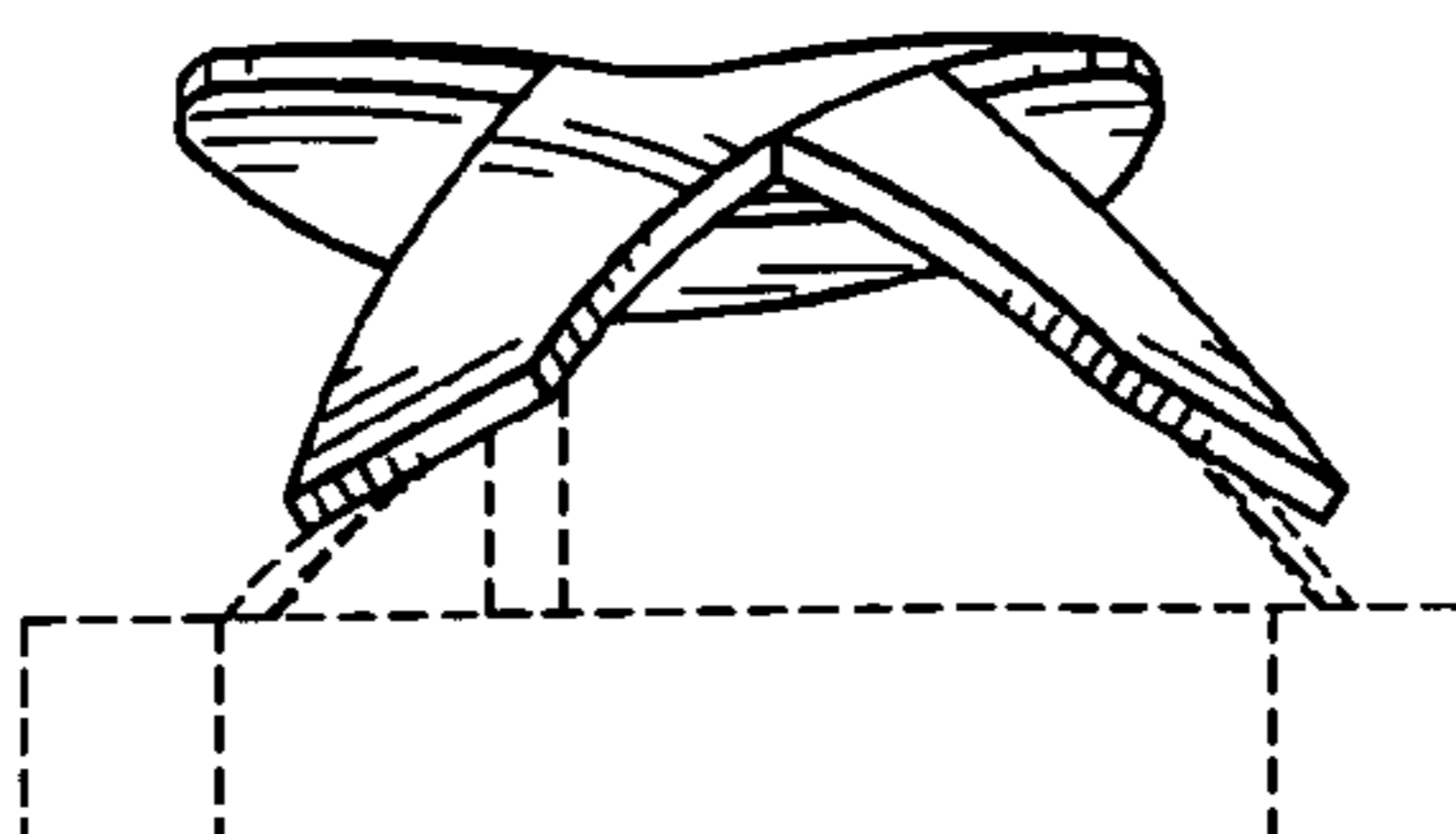


FIG. 5

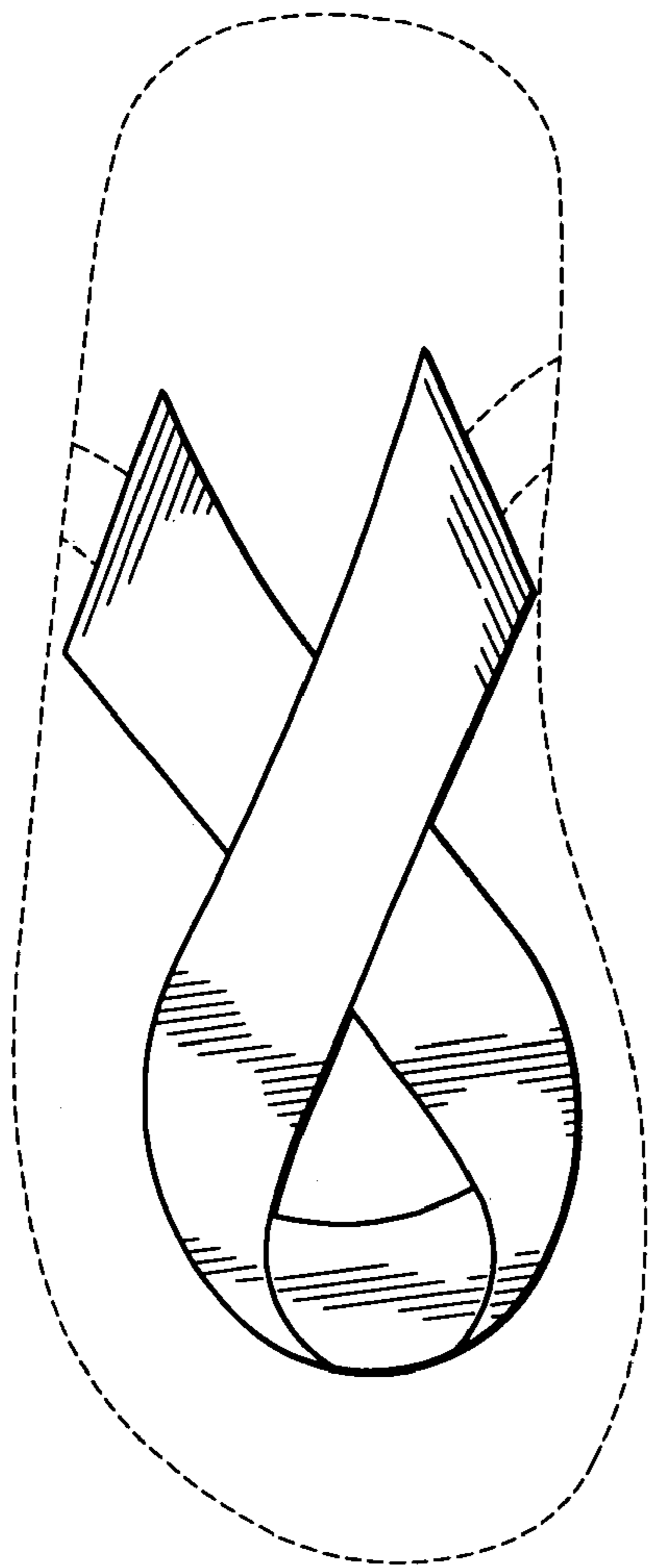


FIG. 6

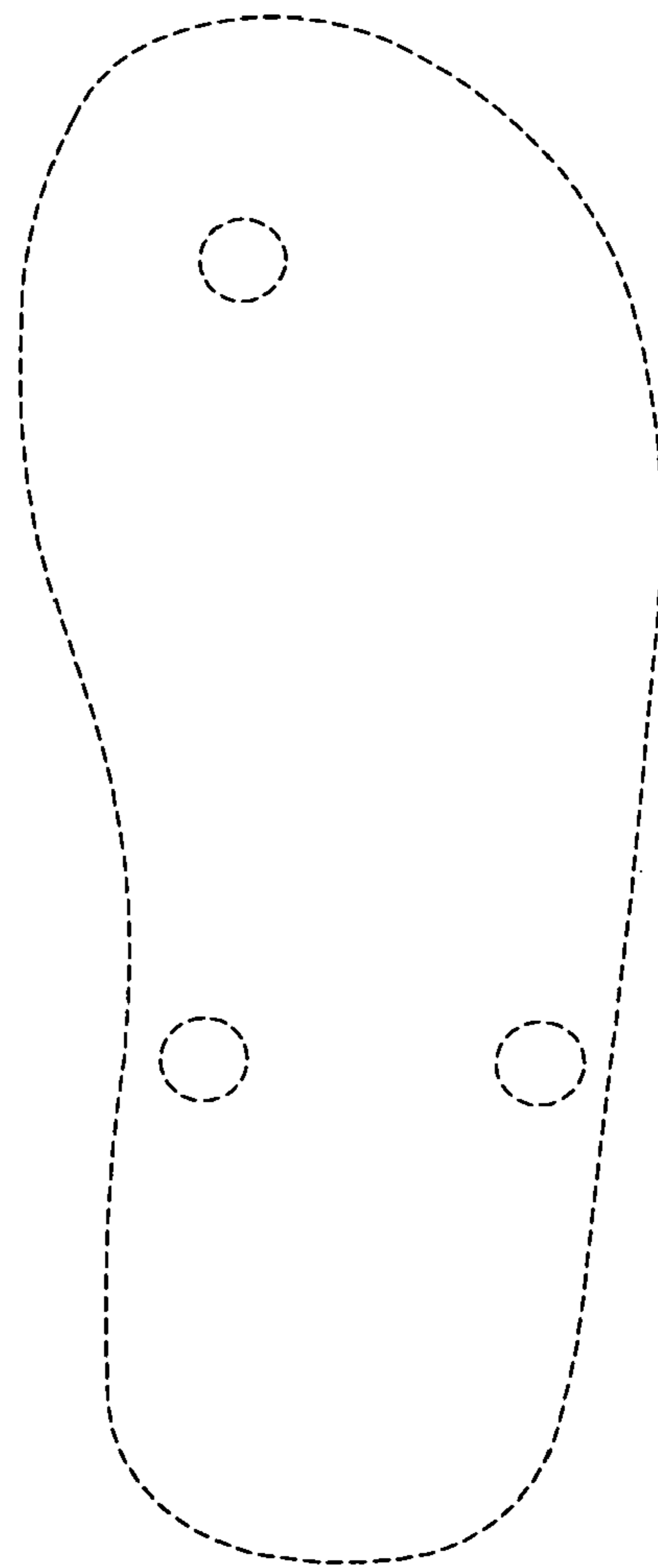


FIG. 7