



US00D651373S

(12) **United States Design Patent**
Fan

(10) **Patent No.:** **US D651,373 S**

(45) **Date of Patent:** **** Dec. 27, 2011**

(54) **HAND HELD RECHARGEABLE VACUUM CLEANER**

(75) Inventor: **Sai-yiu Fan**, New Territories (HK)

(73) Assignee: **Talentone Hong Kong Limited**,
Kowloon (HK)

(**) Term: **14 Years**

(21) Appl. No.: **29/355,126**

(22) Filed: **Feb. 2, 2010**

(51) **LOC (9) Cl.** **15-05**

(52) **U.S. Cl.** **D32/18**

(58) **Field of Classification Search** D32/17-18,
D32/31-33; 15/344, 329, 338, 335, 414,
15/415.1, 418-422, 409, 300.1, 322, 320
See application file for complete search history.

(56) **References Cited**

U.S. PATENT DOCUMENTS

D401,021 S *	11/1998	Stephens et al.	D32/18
D440,719 S *	4/2001	Stratford	D32/18
D440,720 S *	4/2001	Stratford	D32/18
D441,152 S *	4/2001	Stratford	D32/18
D441,926 S *	5/2001	Stratford	D32/18
D459,560 S *	6/2002	Lau	D32/18
D509,930 S *	9/2005	Stratford	D32/18
D564,151 S *	3/2008	Fjellman	D32/18

D564,153 S *	3/2008	Fjellman	D32/18
D565,811 S *	4/2008	Fjellman	D32/18
D565,812 S *	4/2008	Fjellman	D32/18
D571,063 S *	6/2008	Brown	D32/18
2009/0144931 A1 *	6/2009	Milligan et al.	15/344

* cited by examiner

Primary Examiner — Ruth McInroy

(74) *Attorney, Agent, or Firm* — Law Office of Sergei Orel, LLC

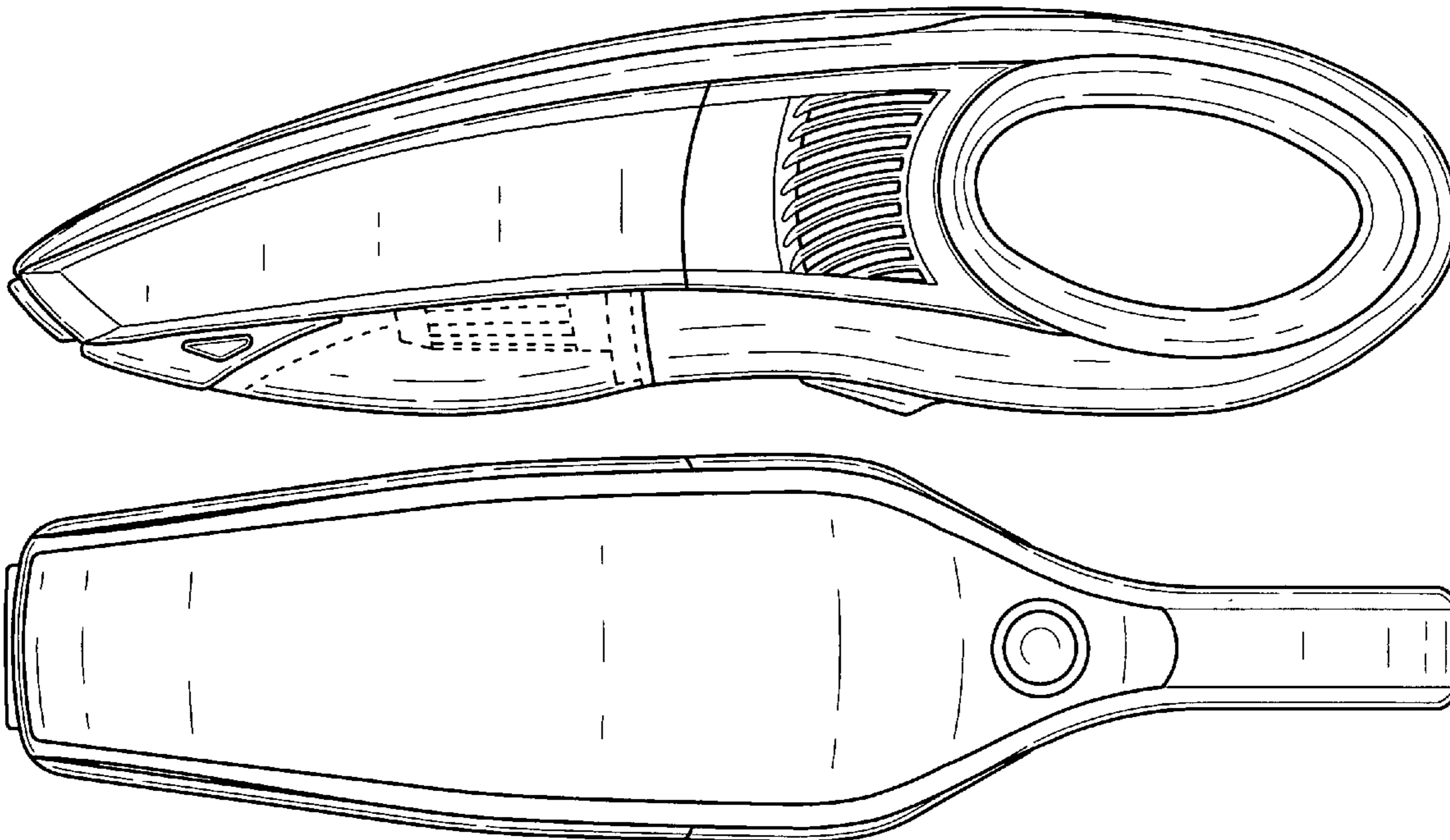
(57) **CLAIM**

I claim the ornamental design for a hand held rechargeable vacuum cleaner, as shown and described.

DESCRIPTION

FIG. 1 is a right side view of a hand held rechargeable vacuum cleaner showing my new design;
FIG. 2 is a top view thereof;
FIG. 3 is a left side view thereof;
FIG. 4 is a bottom view thereof;
FIG. 5 is a front view thereof;
FIG. 6 is a rear view thereof;
FIG. 7 is a top perspective view thereof;
FIG. 8 is a bottom perspective view thereof; and,
FIG. 9 is an exploded perspective view thereof.
The details shown in broken lines form no part of the claimed design.

1 Claim, 6 Drawing Sheets



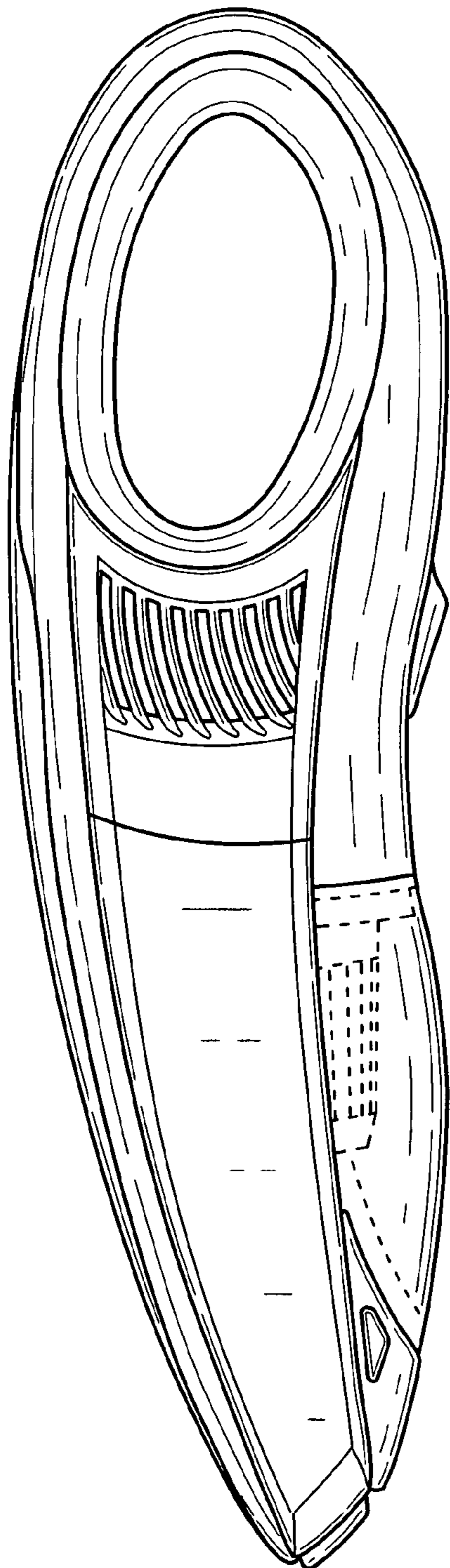


Fig.1

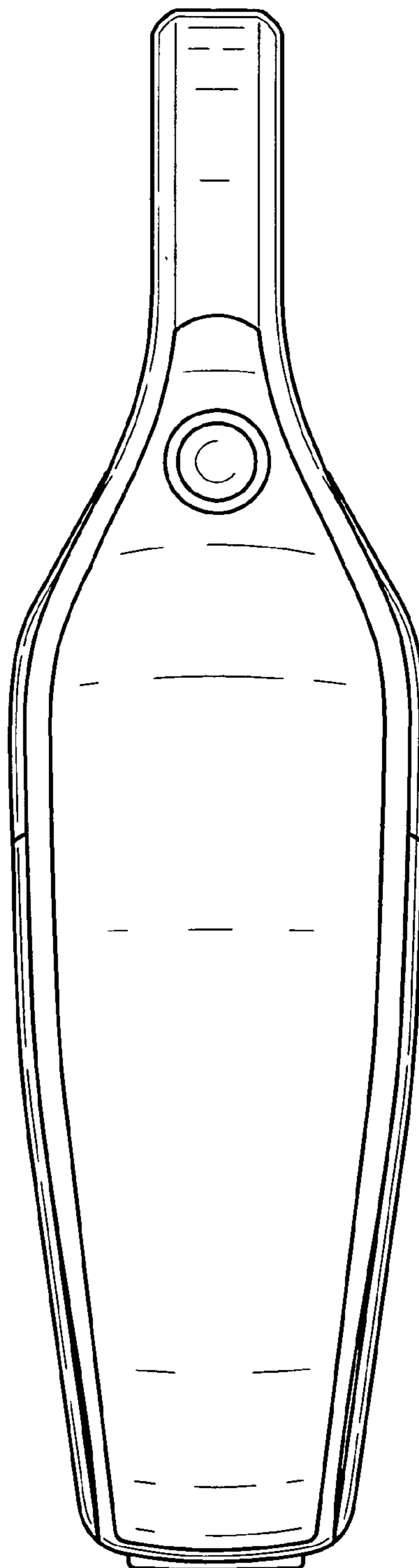


Fig.2

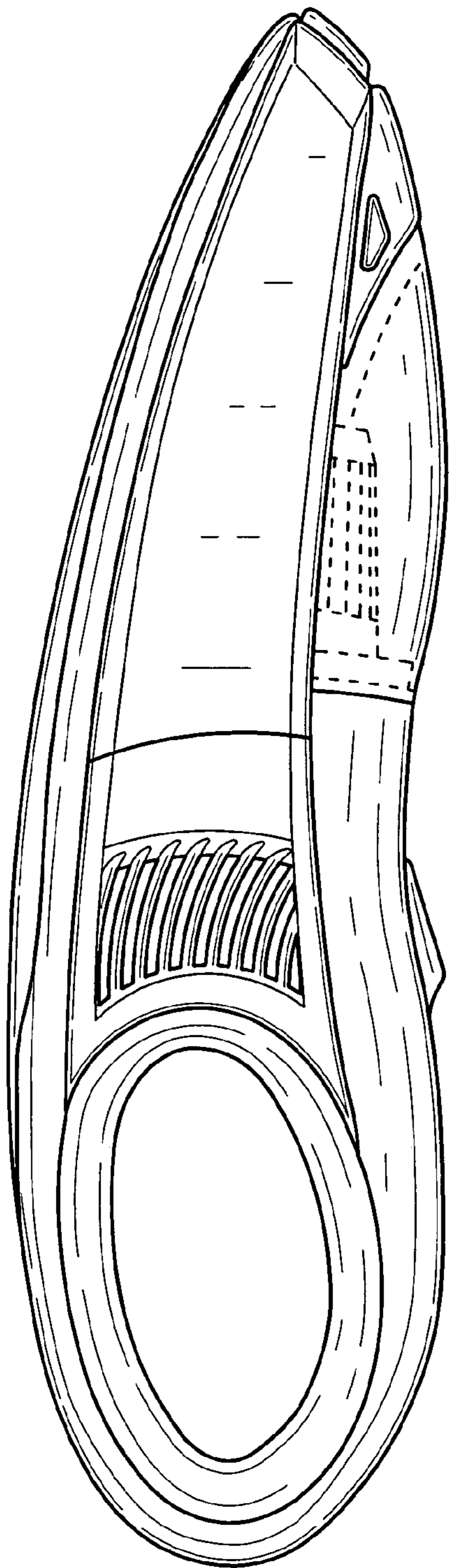


Fig.3

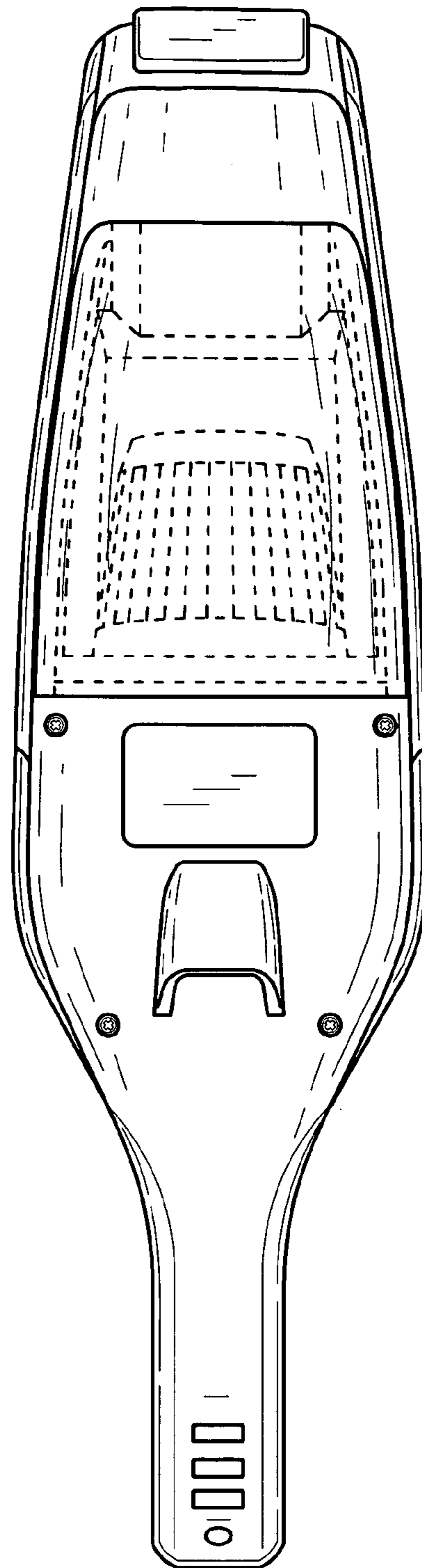


Fig.4

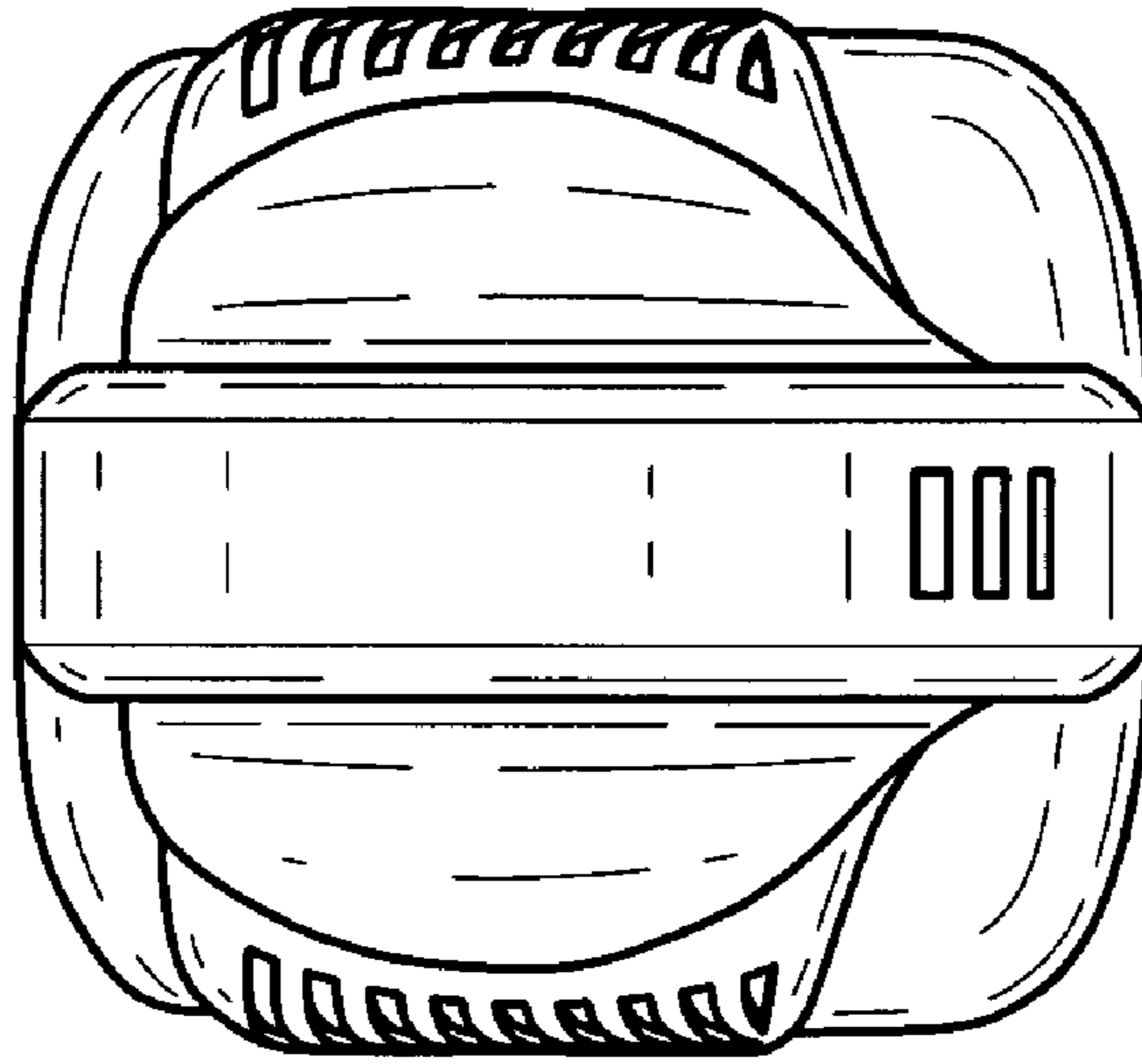


Fig. 6

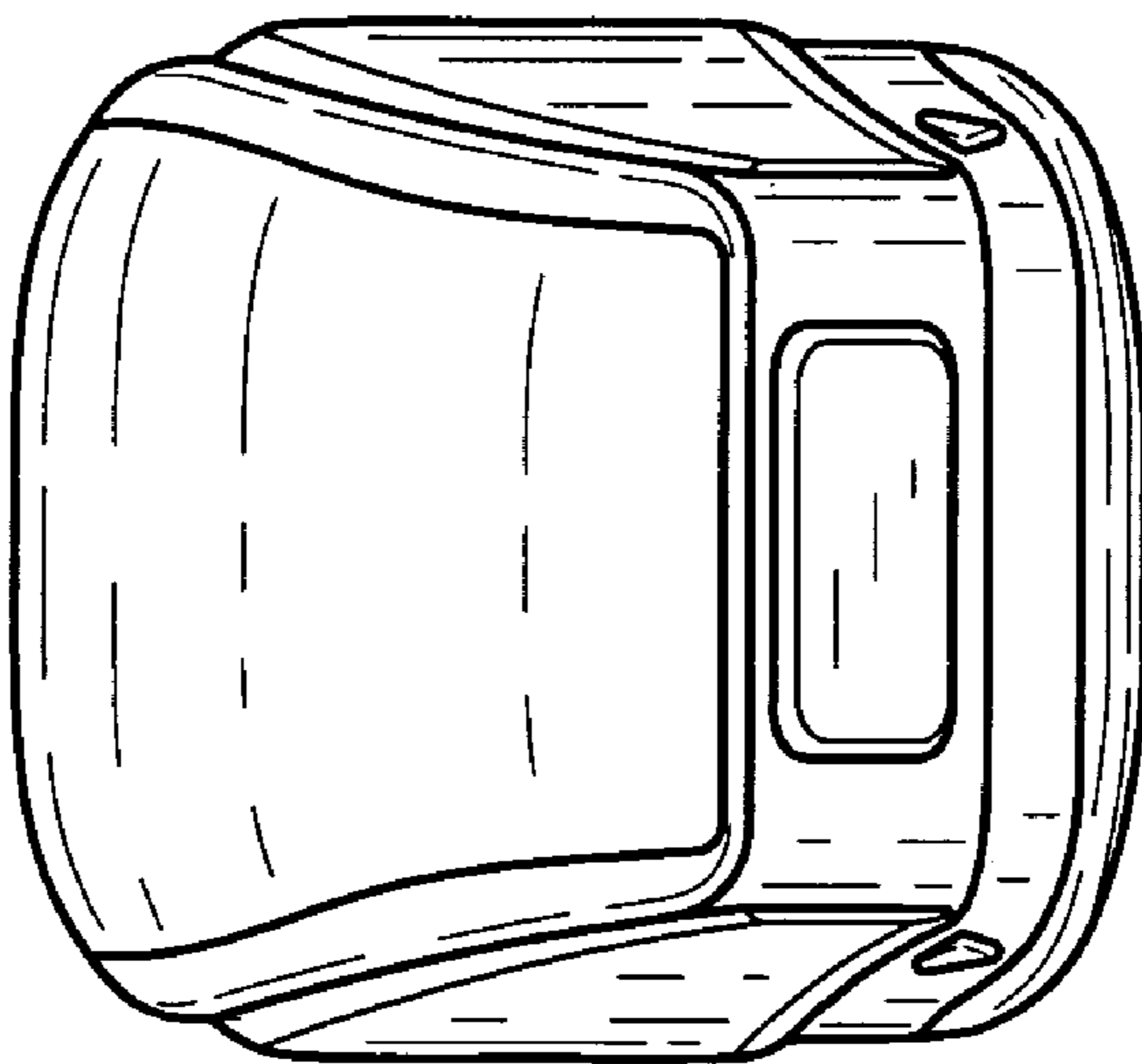


Fig. 5

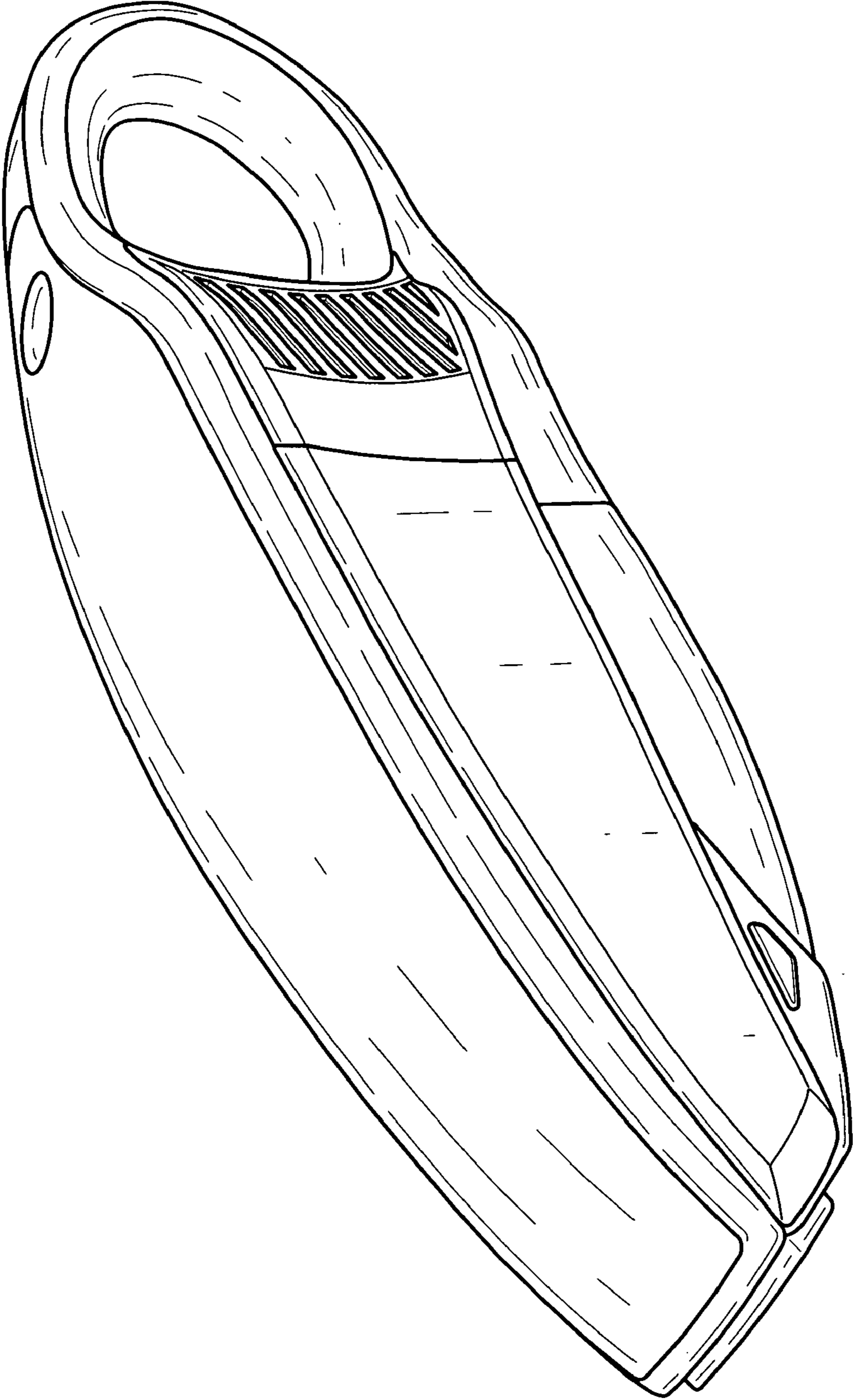


Fig.7

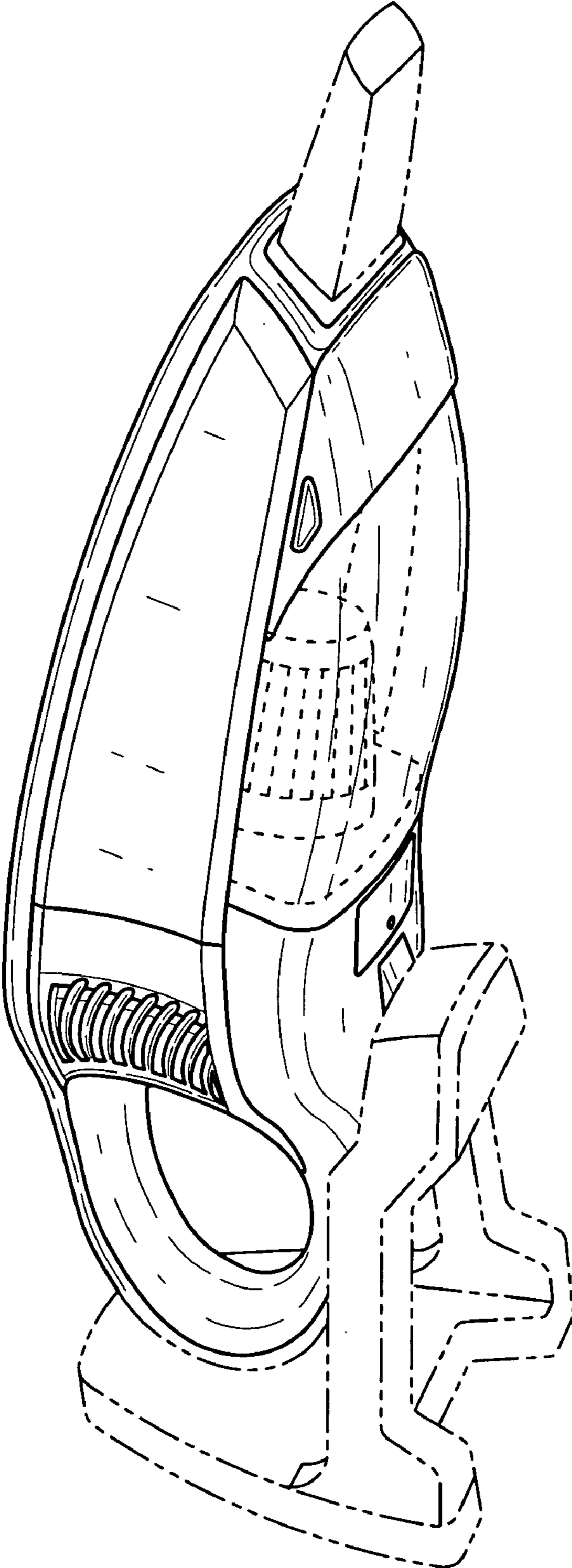


Fig.8

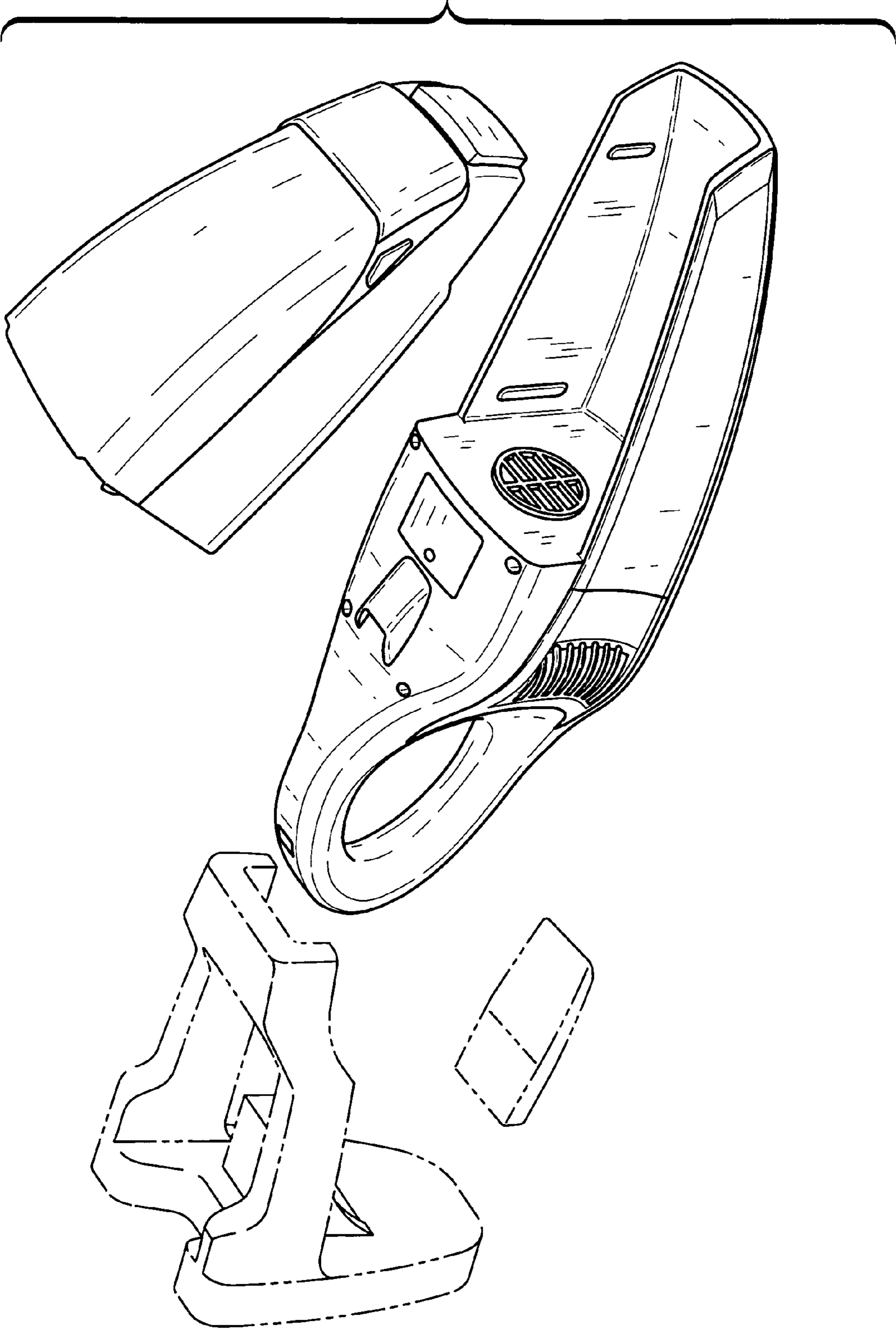


Fig.9