



US00D651363S

(12) **United States Design Patent**  
**Connelly et al.**

(10) **Patent No.:** **US D651,363 S**

(45) **Date of Patent:** **\*\* Dec. 27, 2011**

(54) **BASE PIECE WITH CLIP**

(76) Inventors: **Cathy Anne Connelly**, Encinitas, CA  
(US); **Barbara Egan**, Cardiff by the Sea,  
CA (US)

(\*\*) Term: **14 Years**

(21) Appl. No.: **29/383,362**

(22) Filed: **Jan. 14, 2011**

(51) **LOC (9) Cl.** ..... **30-04**

(52) **U.S. Cl.** ..... **D30/136; D8/395**

(58) **Field of Classification Search** ..... D8/72,  
D8/73, 394, 395; D10/31; D13/154; D19/65,  
D19/86; D30/136; 24/561, 563; 224/667;  
D11/78.1, 79, 215

See application file for complete search history.

(56) **References Cited**

**U.S. PATENT DOCUMENTS**

D29,703 S \* 11/1898 Conner ..... D30/136  
4,821,934 A \* 4/1989 Alessi et al. .... 224/667  
D383,701 S \* 9/1997 Fletcher ..... D11/78.1

D390,493 S \* 2/1998 Fletcher ..... D11/78.1  
D506,783 S \* 6/2005 Siegel ..... D19/65  
D596,508 S \* 7/2009 Warren ..... D10/31  
D620,785 S \* 8/2010 St. Germaine ..... D8/395

\* cited by examiner

*Primary Examiner* — Nanda Bondade

(74) *Attorney, Agent, or Firm* — Eric A. Hanscom; Todd J.  
Langford

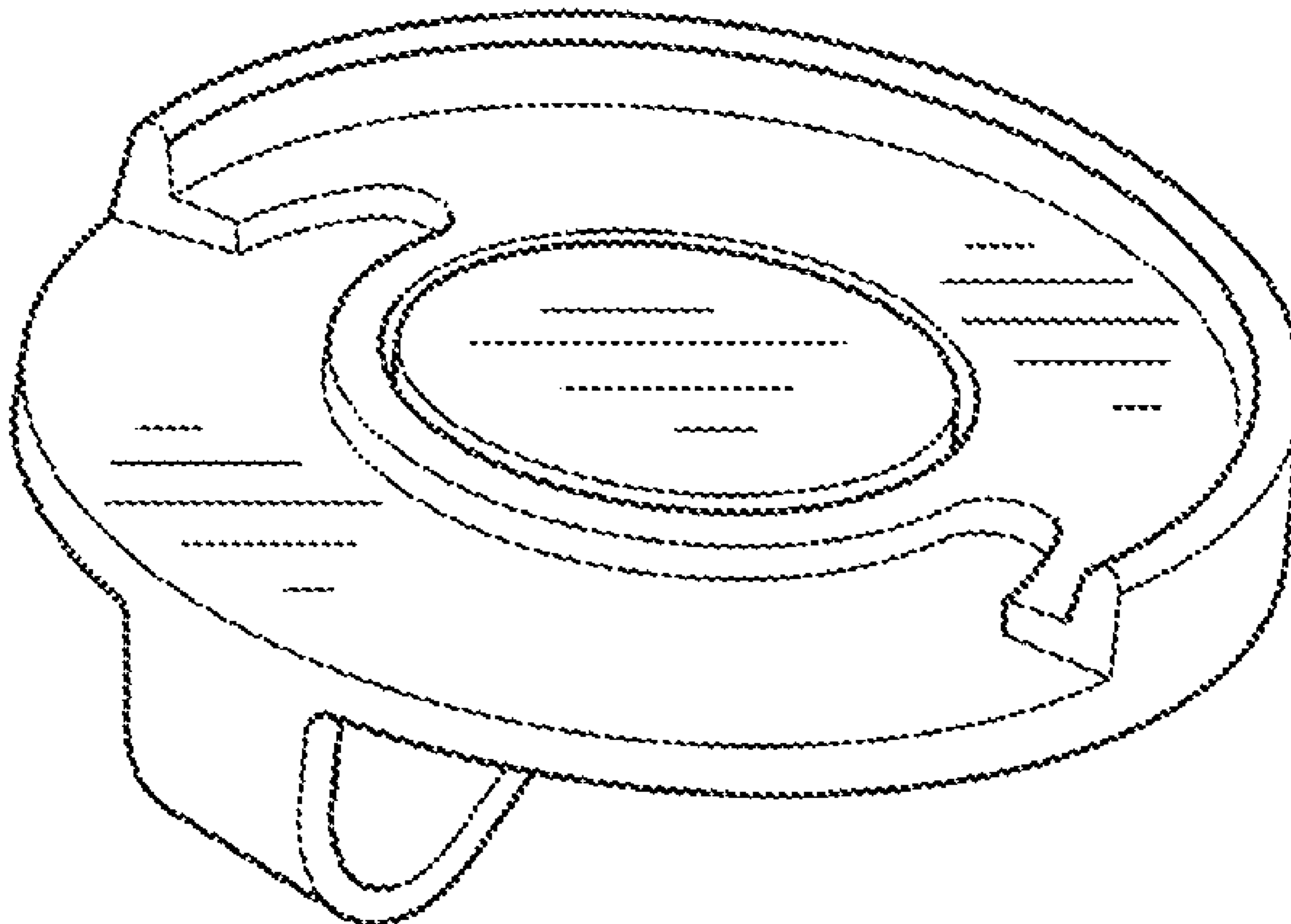
(57) **CLAIM**

The ornamental design for a base piece with clip, as shown  
and described.

**DESCRIPTION**

FIG. 1 is a perspective view of a a base piece with clip  
showing our new design;  
FIG. 2 is a back view thereof;  
FIG. 3 is a left-side view thereof;  
FIG. 4 is a top view thereof;  
FIG. 5 is a right-side view thereof;  
FIG. 6 is a front view thereof; and,  
FIG. 7 is a bottom view thereof.

**1 Claim, 1 Drawing Sheet**



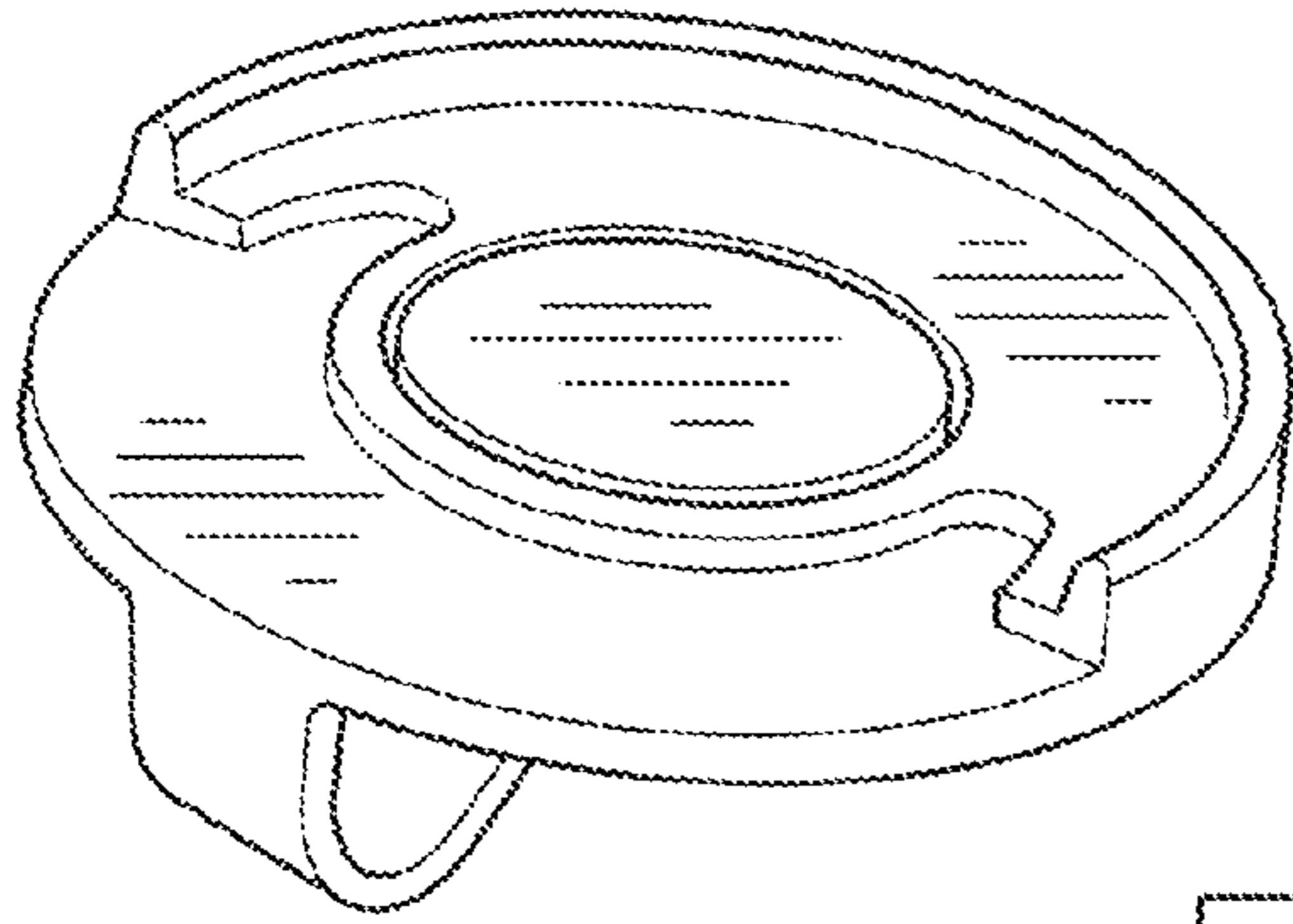


FIG. 1

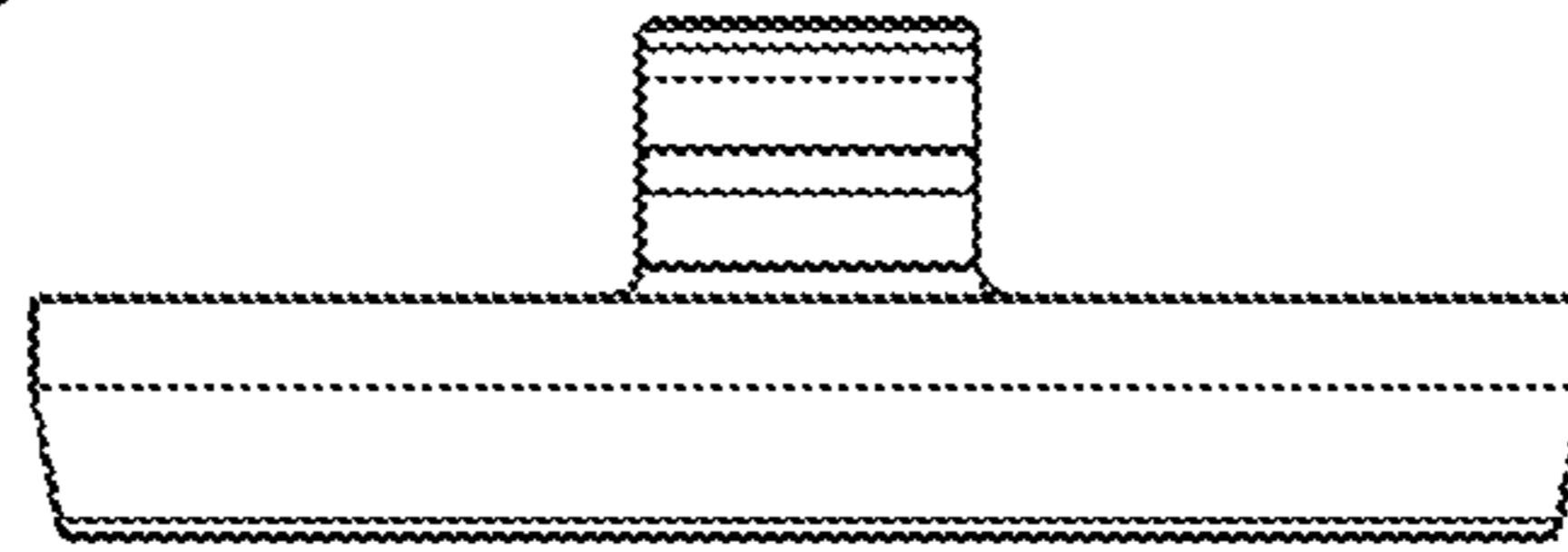


FIG. 2

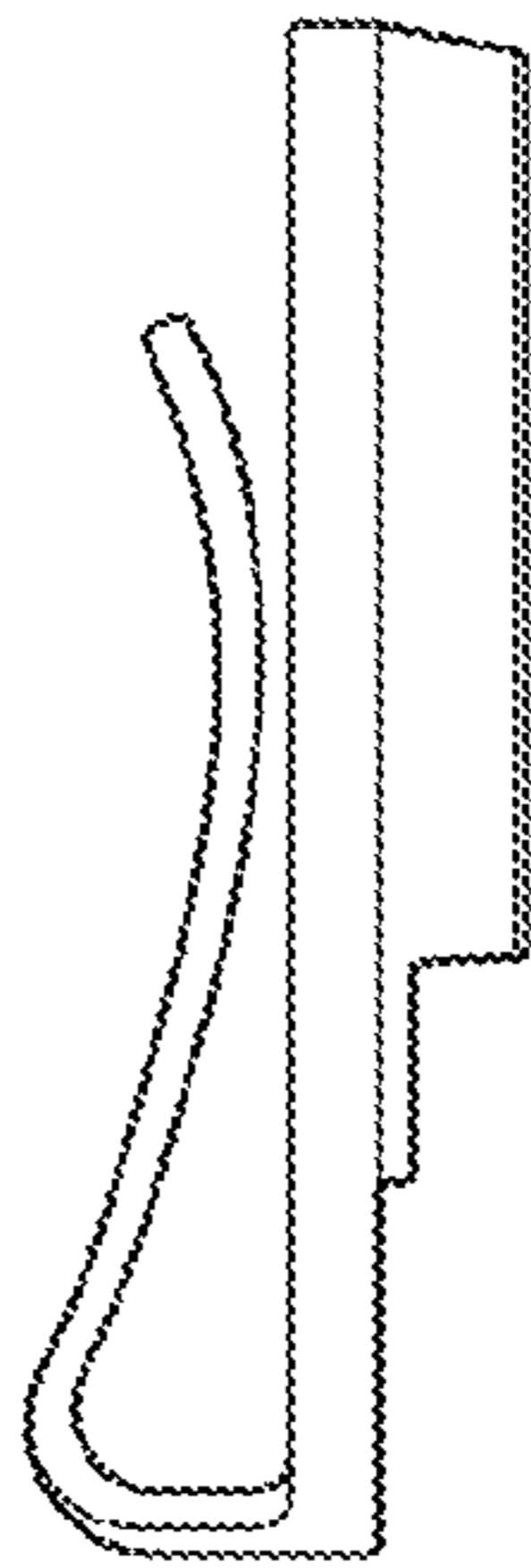


FIG. 3

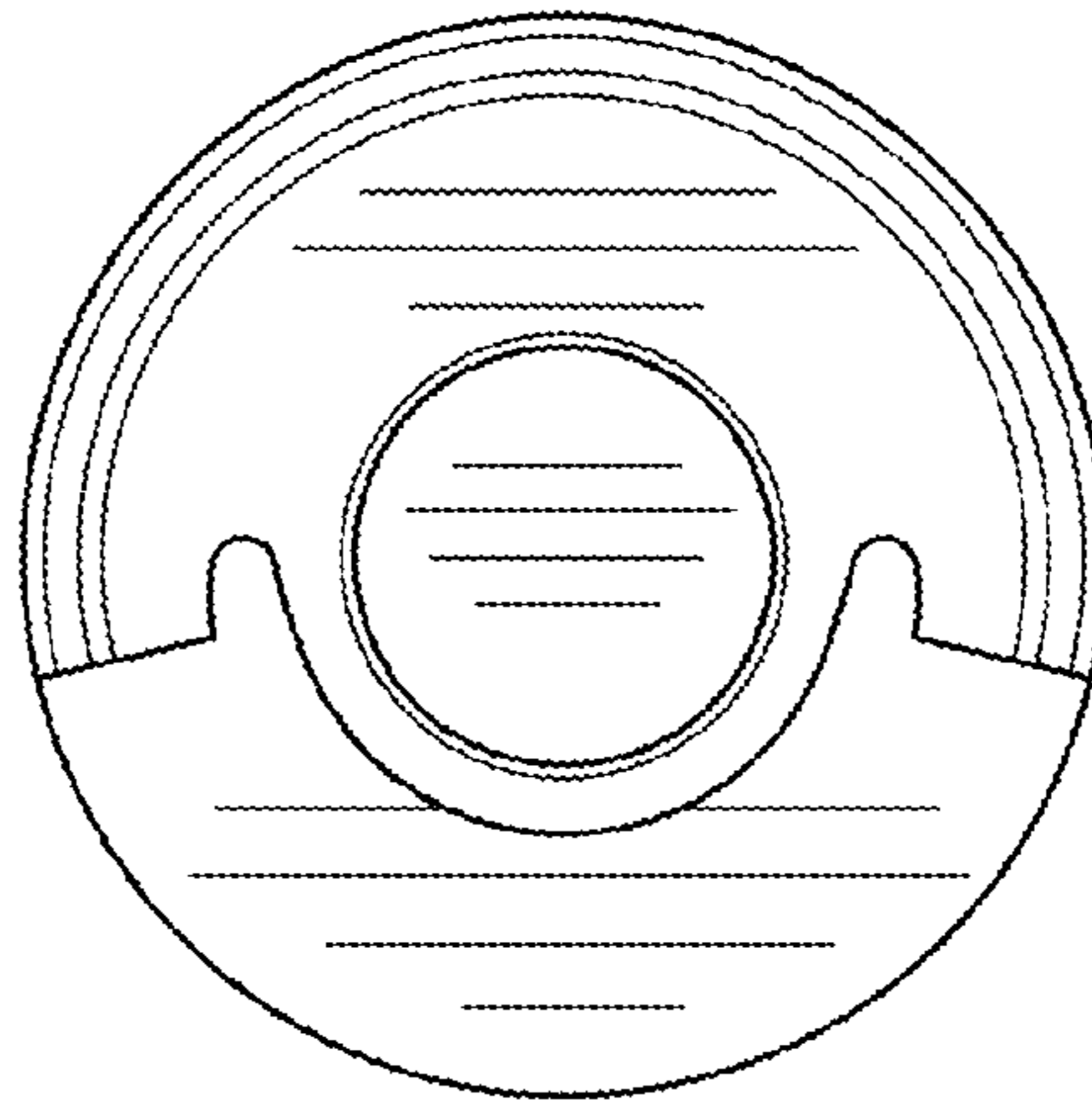


FIG. 4

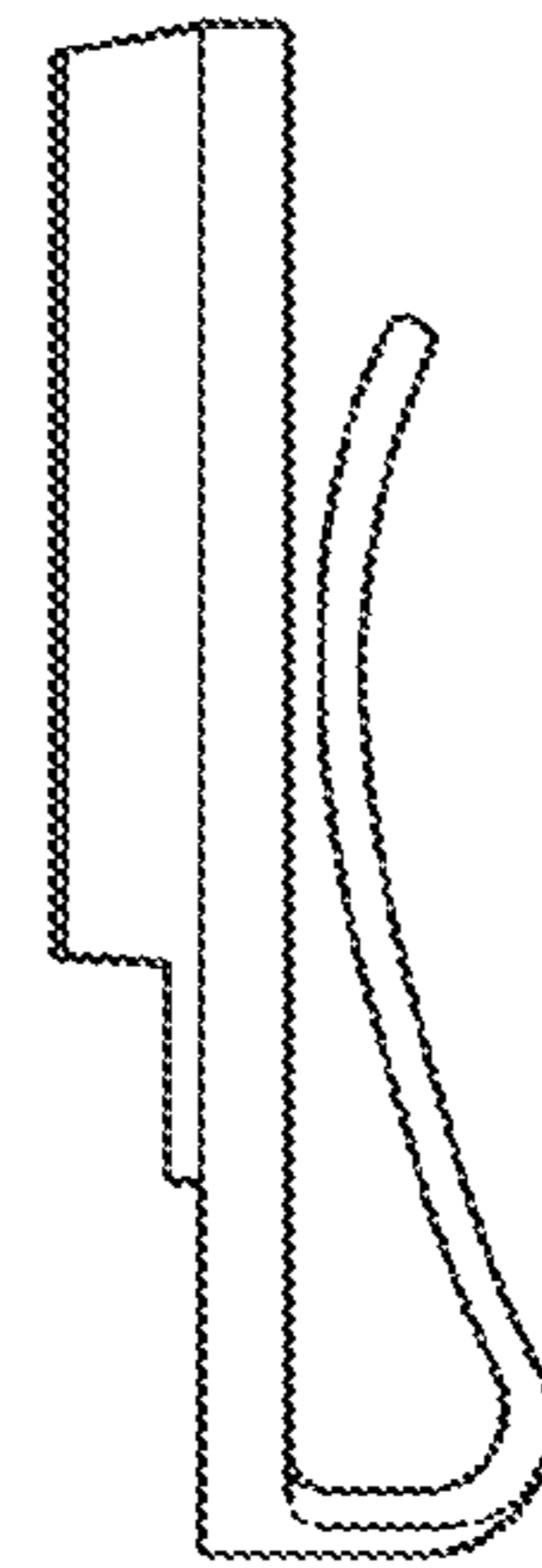


FIG. 5

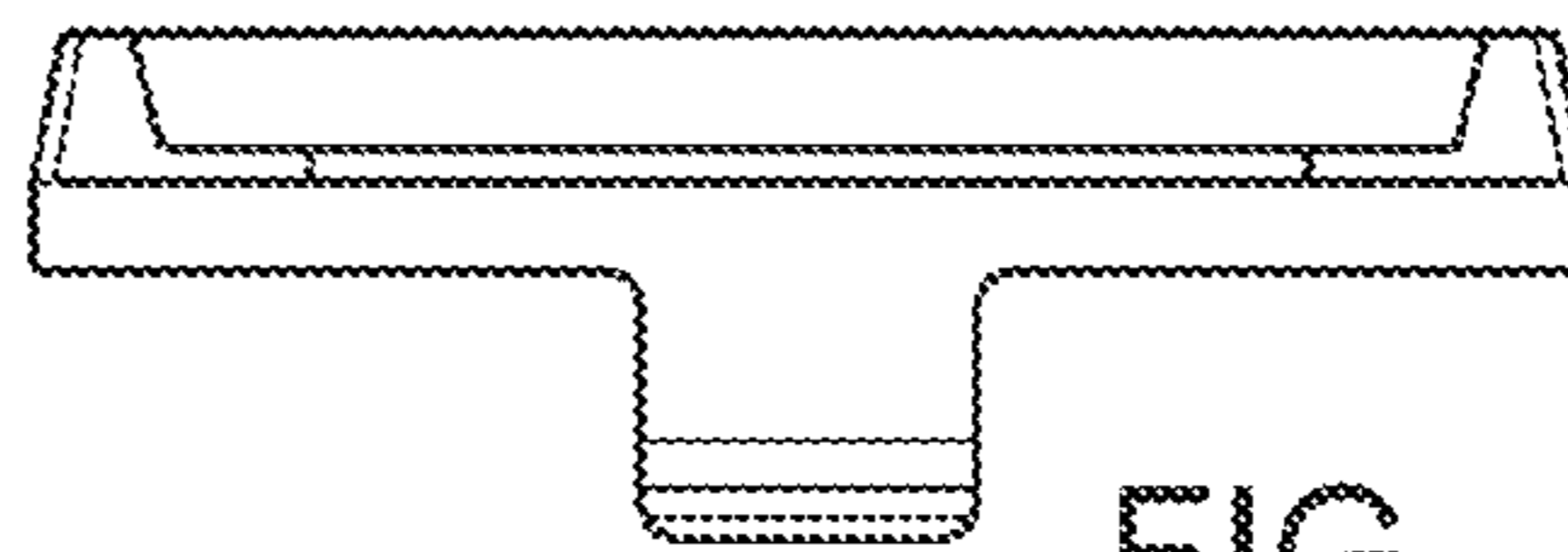


FIG. 6

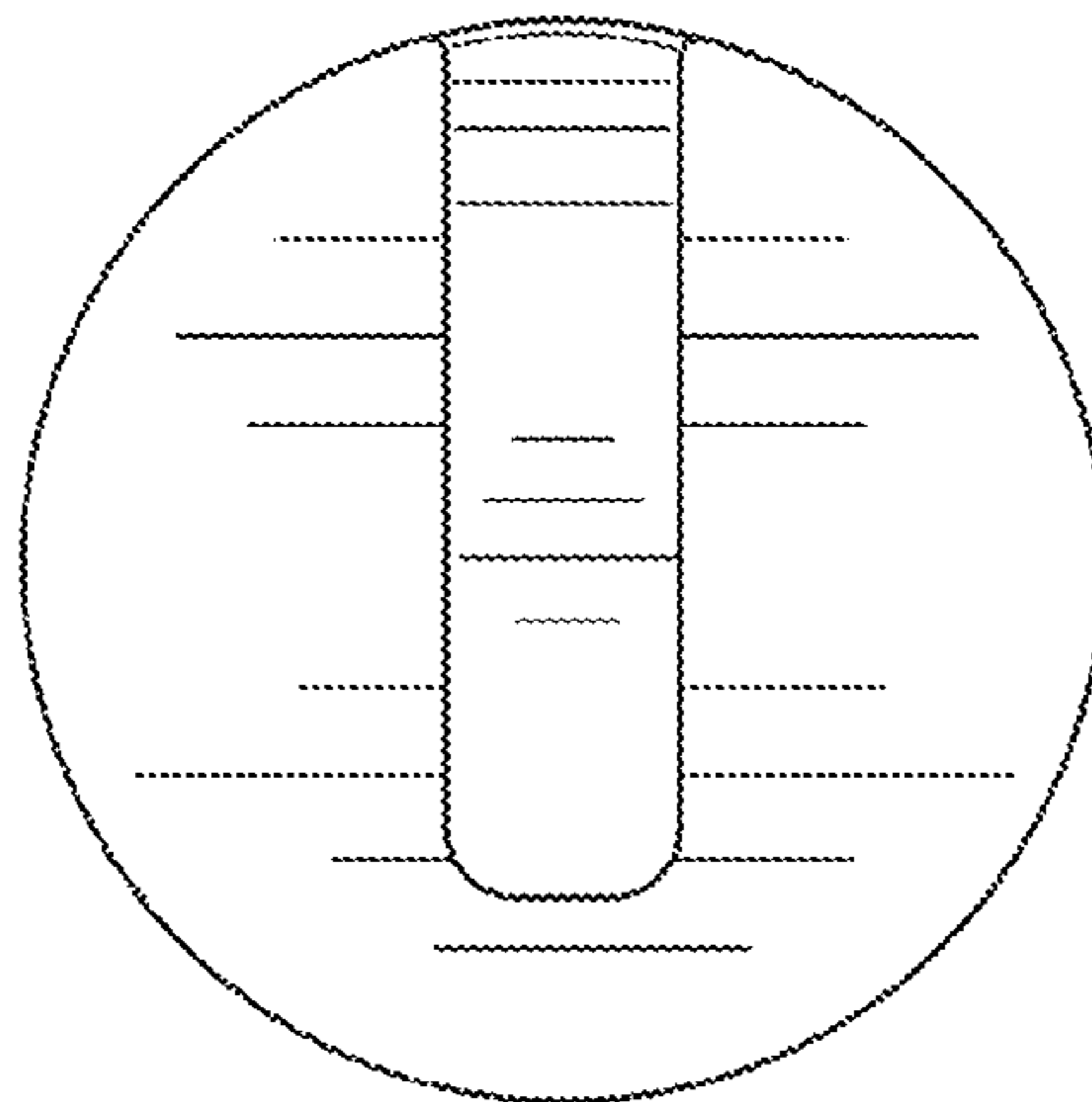


FIG. 7