



US00D651362S

(12) **United States Design Patent**
Bosc et al.

(10) **Patent No.:** **US D651,362 S**

(45) **Date of Patent:** **** Dec. 27, 2011**

(54) **DESCENDER**

(75) Inventors: **Jean-Yves Bosc**, Romilly sur Seine (FR); **Patrick Copin**, Rilly-Saint-Syre (FR)

(73) Assignee: **Tractel S.A.S.** (FR)

(**) Term: **14 Years**

(21) Appl. No.: **29/340,902**

(22) Filed: **Jul. 28, 2009**

(30) **Foreign Application Priority Data**

Feb. 2, 2009 (EP) 001080238

(51) **LOC (9) Cl.** **29-02**

(52) **U.S. Cl.** **D29/124**

(58) **Field of Classification Search** ... D29/101.1-101.5, D29/122, 124; D2/829, 830; D21/804, 805; 182/3-6, 231-240, 70-73; 2/462-464, 467, 2/102; 441/106, 110, 111, 112, 114-118; D8/358; 188/188

See application file for complete search history.

(56) **References Cited**

U.S. PATENT DOCUMENTS

4,877,110	A	*	10/1989	Wolner	182/232
D490,135	S	*	5/2004	Henson	D21/805
D490,575	S	*	5/2004	Henson	D29/124
D523,588	S	*	6/2006	Henson	D29/101.4
D587,410	S	*	2/2009	Wolner et al.	D29/124

* cited by examiner

Primary Examiner — Susan Bennett Hattan

Assistant Examiner — Barbara B Lohr

(74) *Attorney, Agent, or Firm* — Cantor Colburn LLP

(57) **CLAIM**

We claim, the ornamental design for a descender, as shown and described.

DESCRIPTION

FIG. 1 is a perspective view of a descender, showing our new design;

FIG. 2 is a front elevation view thereof;

FIG. 3 is a rear elevation view thereof;

FIG. 4 is a top plan view thereof;

FIG. 5 is a bottom plan view thereof;

FIG. 6 is a right side elevation view thereof; and,

FIG. 7 is a left side elevation view thereof.

1 Claim, 7 Drawing Sheets

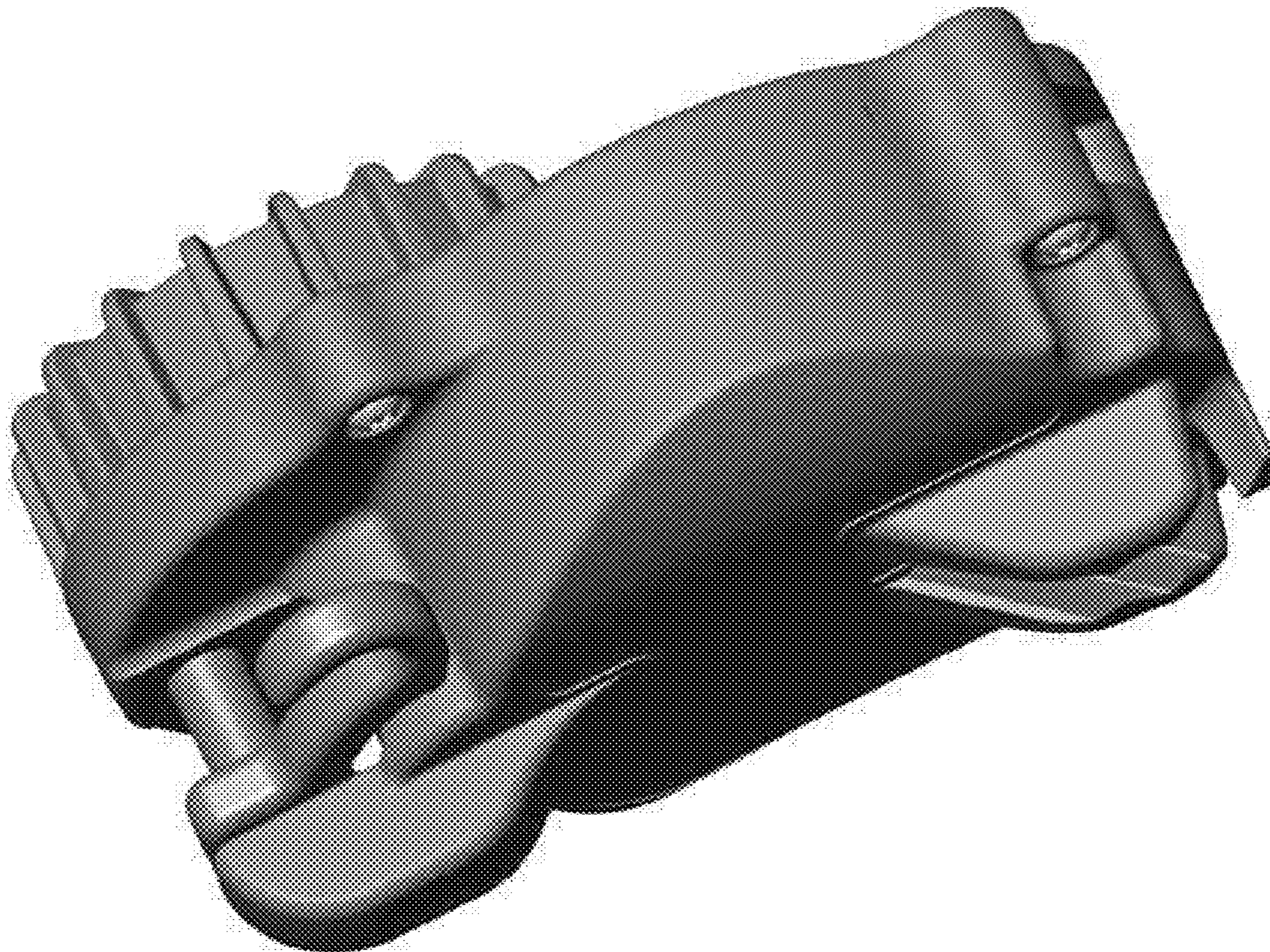


FIGURE 1

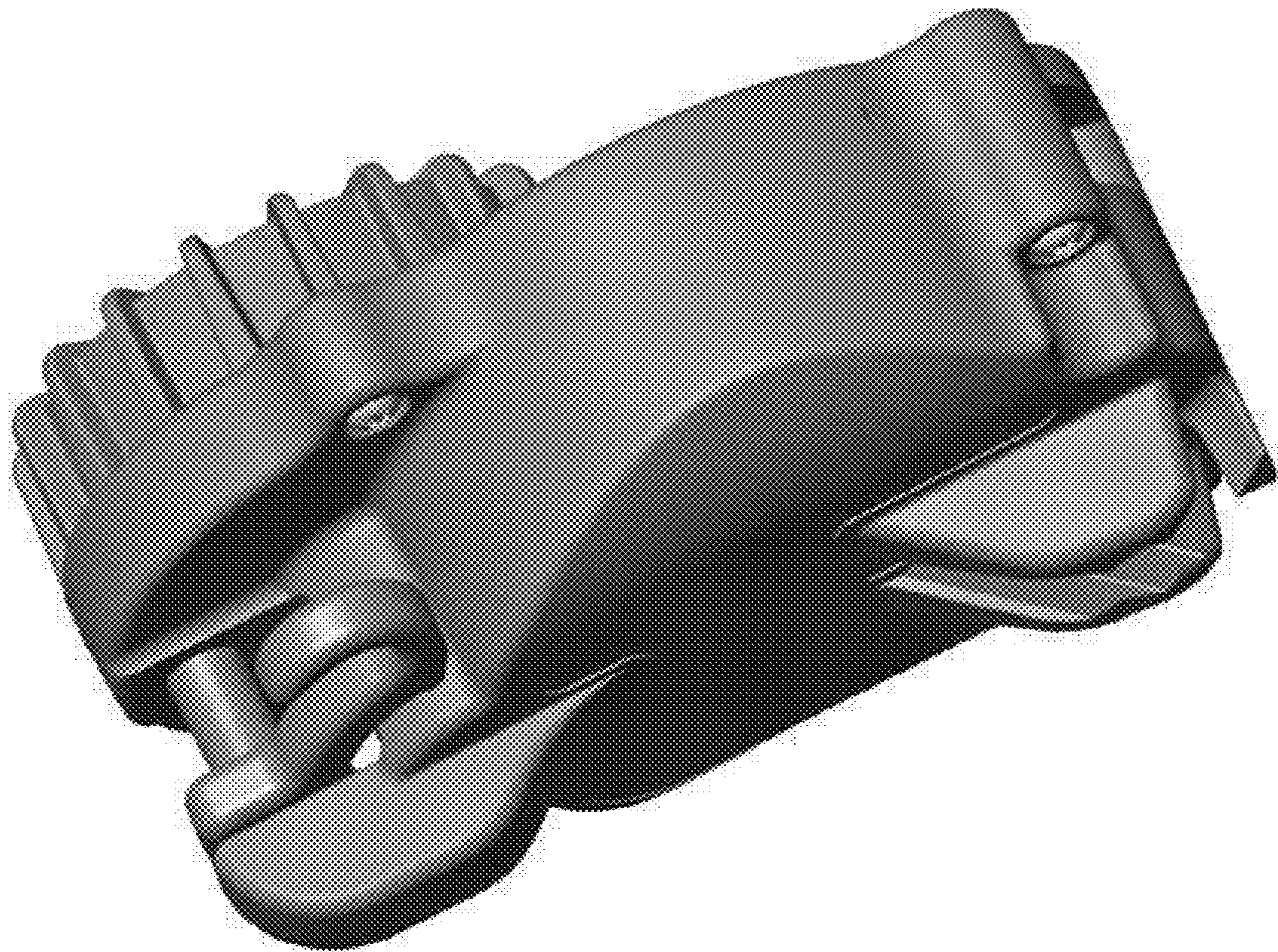


FIGURE 2

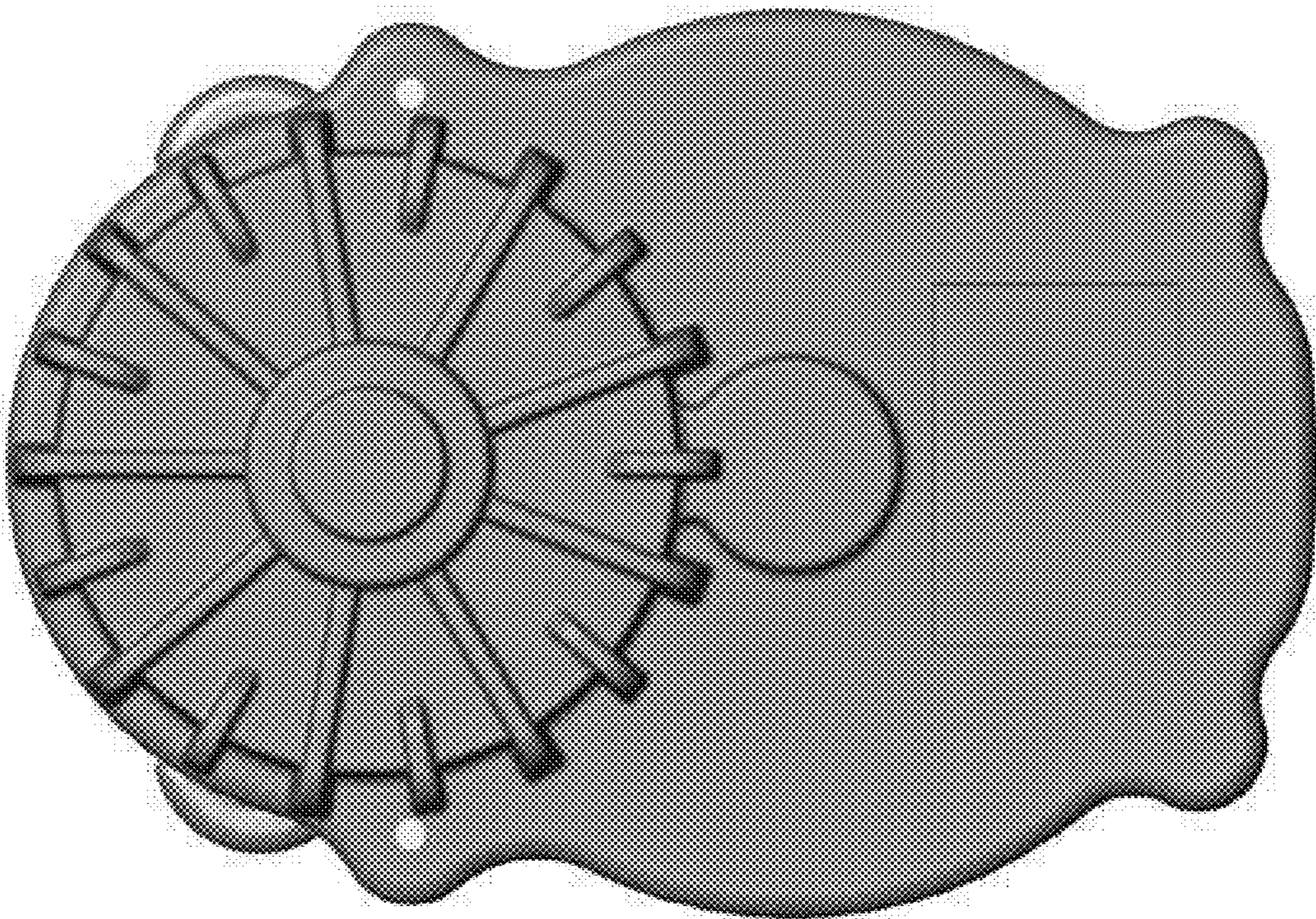


FIGURE 3

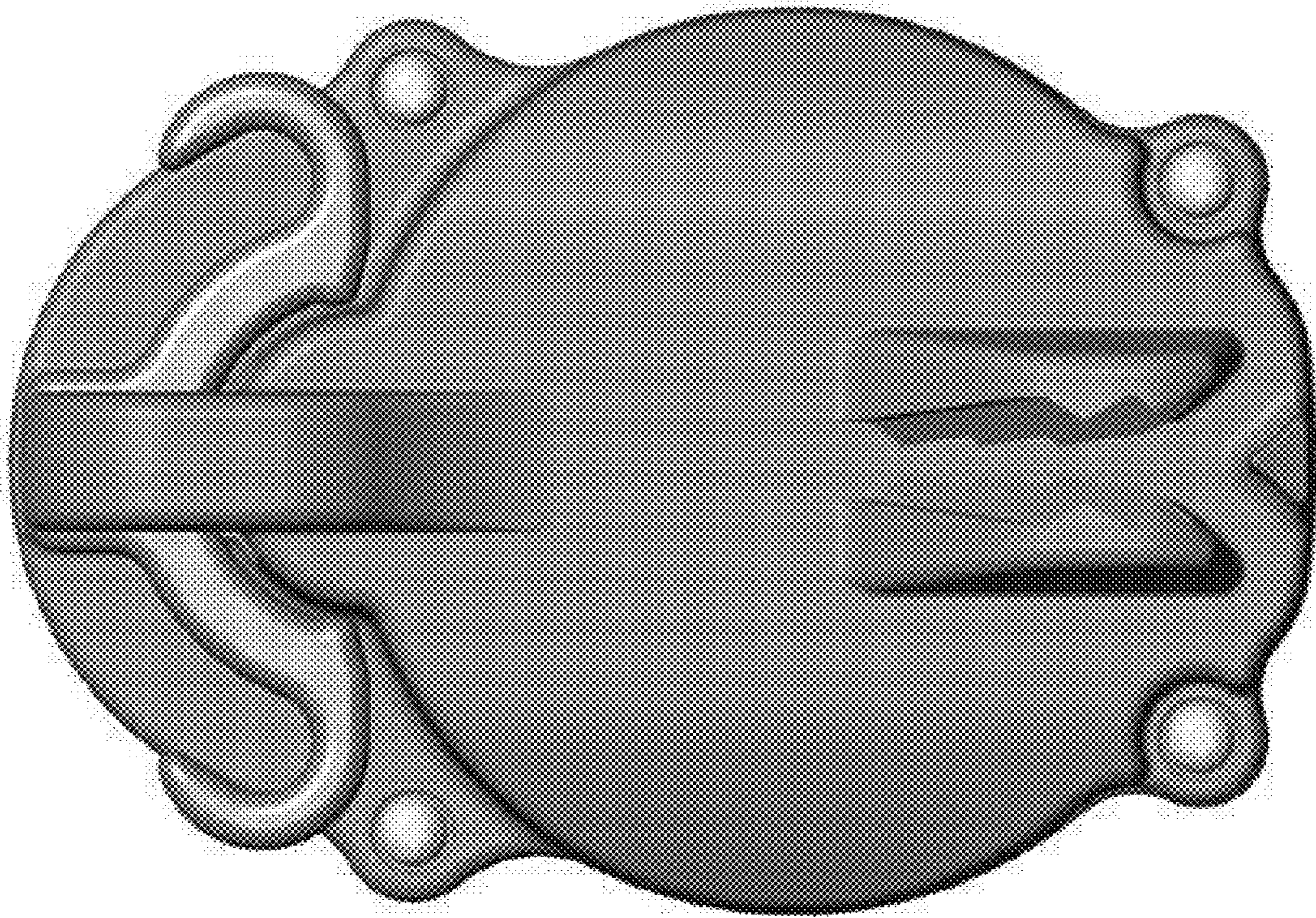


FIGURE 4

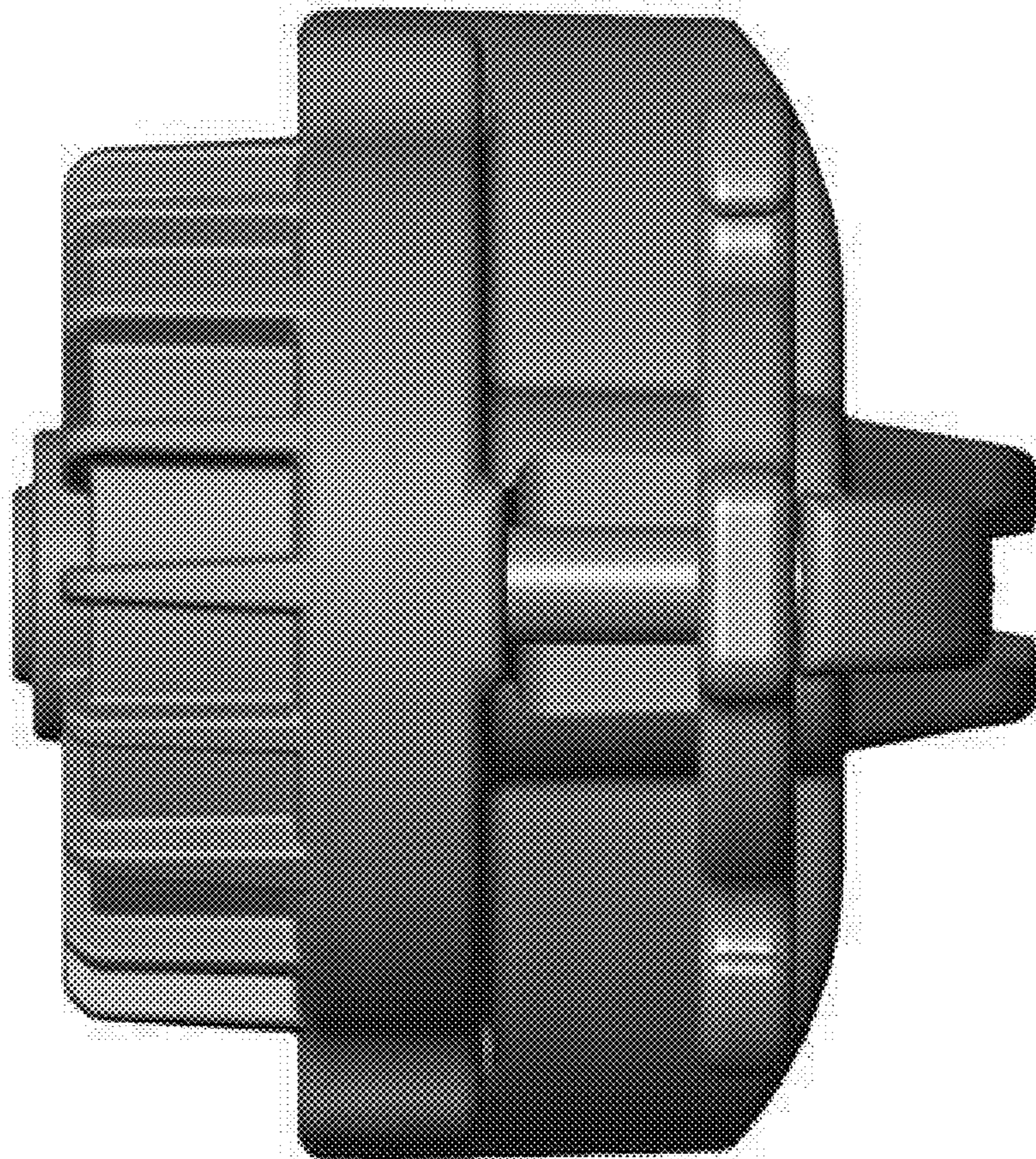


FIGURE 5

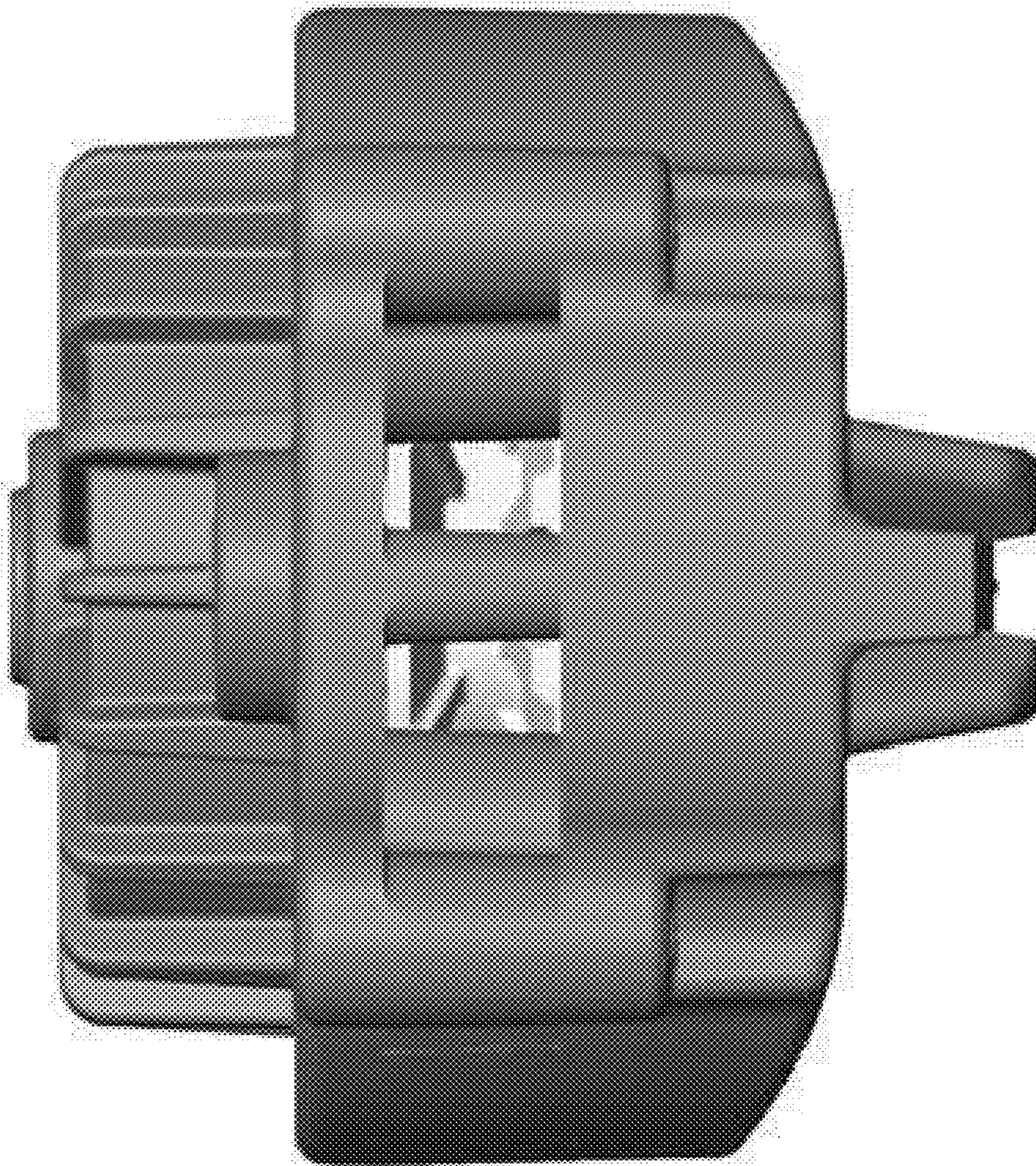


FIGURE 6

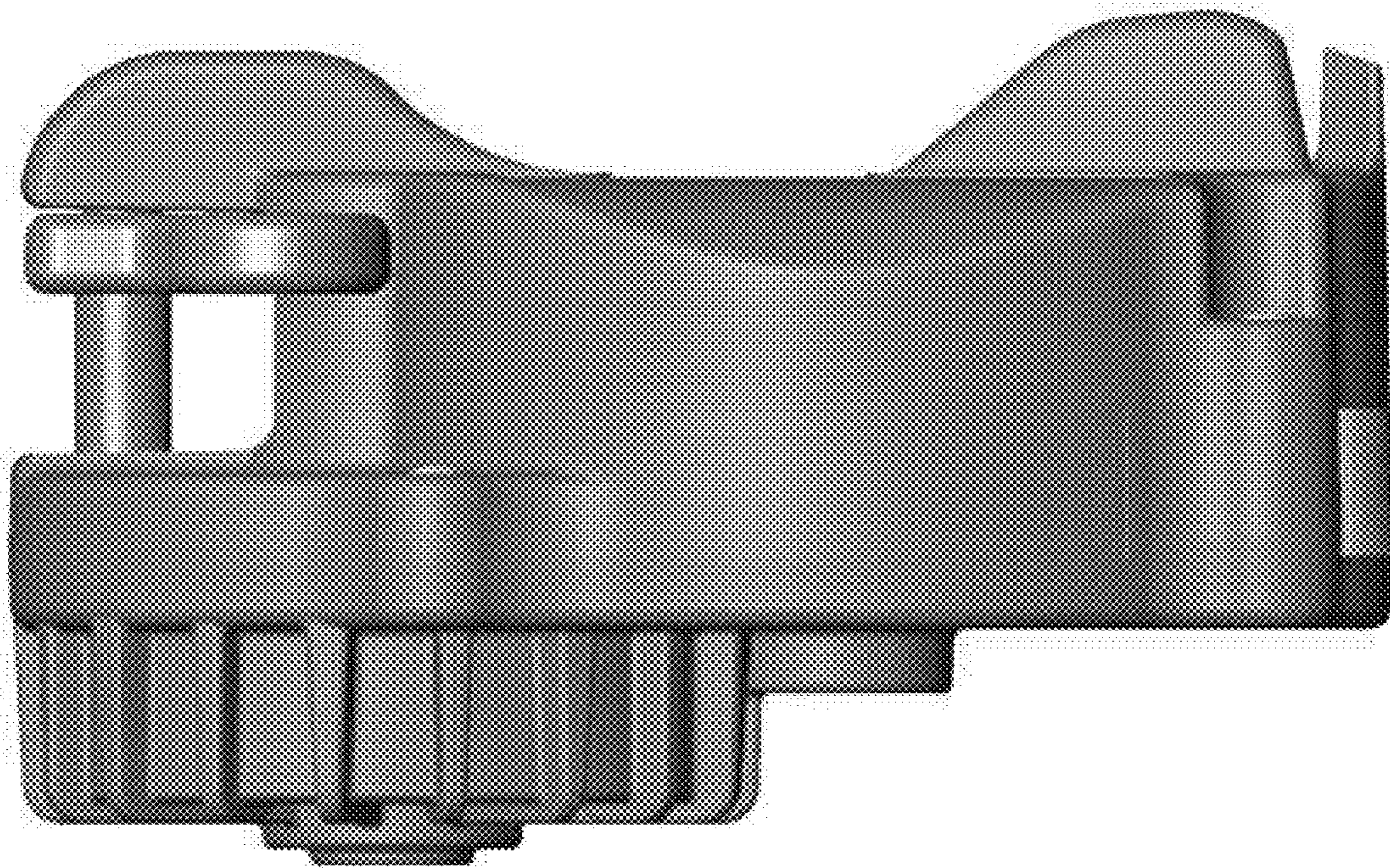


FIGURE 7

