



US00D651351S

(12) **United States Design Patent**
DeMarco

(10) **Patent No.:** **US D651,351 S**

(45) **Date of Patent:** **** Dec. 27, 2011**

(54) **COSMETIC CONTAINER**

(75) **Inventor:** **Jenny DeMarco**, Frisco, TX (US)

(73) **Assignee:** **Mary Kay Inc.**, Dallas, TX (US)

(**) **Term:** **14 Years**

(21) **Appl. No.:** **29/382,264**

(22) **Filed:** **Dec. 30, 2010**

(51) **LOC (9) Cl.** **28-03**

(52) **U.S. Cl.** **D28/84**

(58) **Field of Classification Search** D28/76-84;
132/286-288, 291, 293-307, 313-318; 206/823,
206/581

See application file for complete search history.

(56) **References Cited**

U.S. PATENT DOCUMENTS

3,592,201 A	7/1971	Haddaway	132/301
D314,448 S	2/1991	Bakic	D28/78
5,092,354 A	3/1992	Pacelli, Jr.	132/294
5,107,984 A	4/1992	Welschoff	206/751
5,520,202 A	5/1996	Arbree	132/294
5,605,167 A	2/1997	Montoli	132/294
5,655,553 A	8/1997	Giese et al.	132/303
5,813,420 A	9/1998	Sussman	132/294
5,918,608 A	7/1999	Renna	132/320
6,189,698 B1	2/2001	Asser	206/581
6,338,349 B1	1/2002	Robinson et al.	132/200
D462,484 S	9/2002	Lai	D28/78
6,820,744 B2	11/2004	Hoffman	206/581
D517,734 S	3/2006	Shen	D28/78
7,219,801 B2	5/2007	Christian	206/581
D592,401 S	5/2009	Beavers et al.	D3/304
D594,599 S	6/2009	Thorpe et al.	D28/83
D597,256 S	7/2009	Liden	D28/83
D599,551 S	9/2009	Beavers et al.	D3/304
D600,858 S	9/2009	Thorpe et al.	D28/83

D601,303 S	9/2009	Cho	D28/78
D601,757 S	10/2009	Sagel	D28/83
D621,548 S *	8/2010	Chen	D28/83
D631,609 S *	1/2011	Lai	D28/83
2002/0189631 A1	12/2002	Phue	132/296
2003/0041871 A1	3/2003	Endo et al.	132/301
2005/0061710 A1	3/2005	Dobler	206/581
2006/0112966 A1	6/2006	Phue	132/296
2007/0187284 A1	8/2007	Goto et al.	206/581
2007/0235056 A1	10/2007	Vintimiglia et al.	132/294
2007/0289603 A1	12/2007	Thorpe	132/296
2008/0060672 A1	3/2008	Williams	132/294
2008/0190443 A1	8/2008	Ubertifoppa	132/294
2008/0302384 A1	12/2008	Parker	132/294
2009/0166246 A1	7/2009	Haloulos et al.	206/581
2010/0051048 A1	3/2010	Wang	132/296
2010/0051049 A1	3/2010	Jaworski	132/296
2010/0089793 A1	4/2010	Plassmeyer	206/581
2010/0132734 A1	6/2010	Mills	132/294

* cited by examiner

Primary Examiner — Jennifer Rivard

(74) *Attorney, Agent, or Firm* — Fulbright & Jaworski L.L.P.

(57) **CLAIM**

The ornamental design for a cosmetic container, as shown and described.

DESCRIPTION

FIG. 1 is a top perspective view of my design;

FIG. 2 is a top view thereof;

FIG. 3 is a bottom view thereof;

FIG. 4 is a right side view thereof;

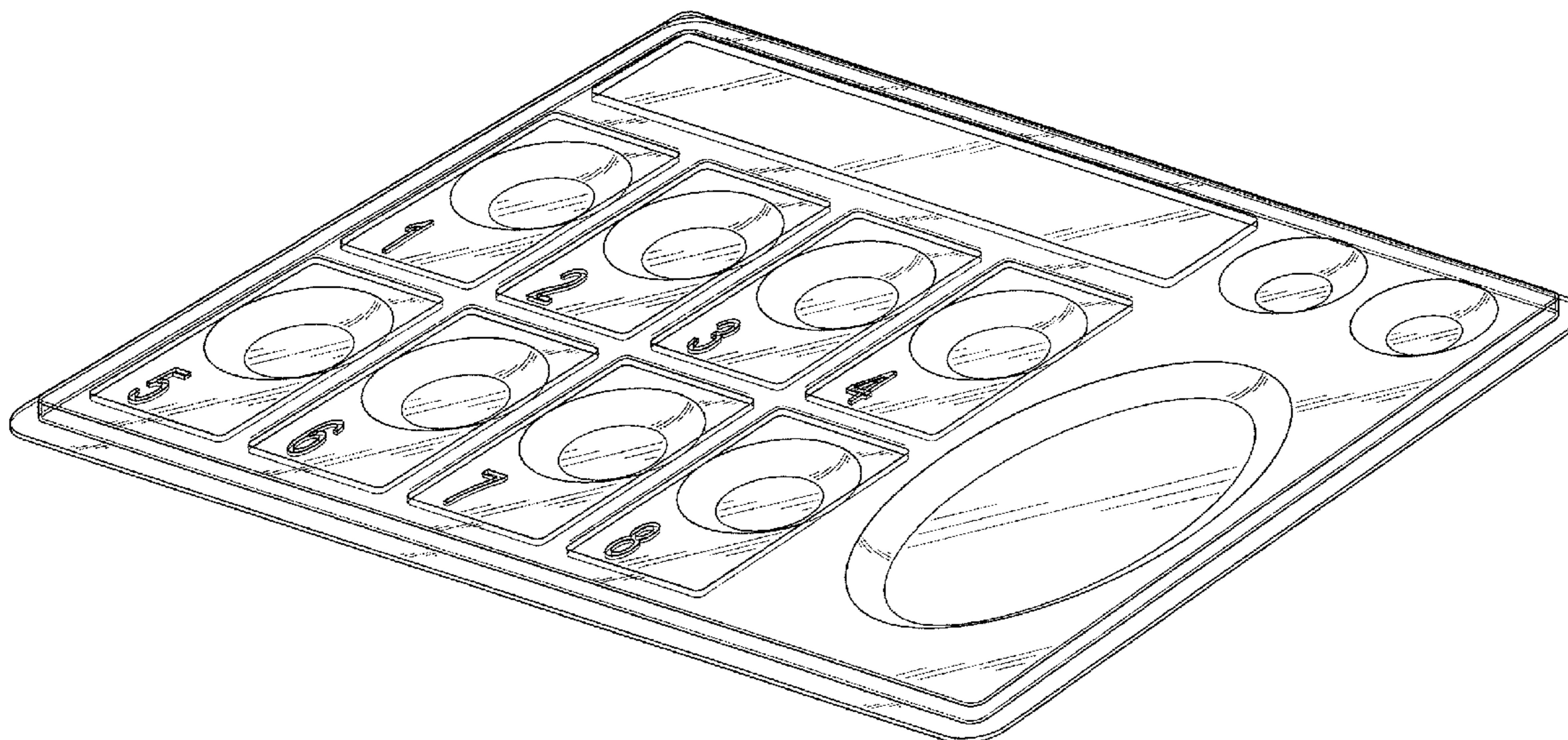
FIG. 5 is a left side view thereof;

FIG. 6 is a front view thereof; and,

FIG. 7 is a back view thereof.

All other surface(s) or portion(s) of my design not shown in the figures or otherwise described in the specification form no part of the claimed design.

1 Claim, 5 Drawing Sheets



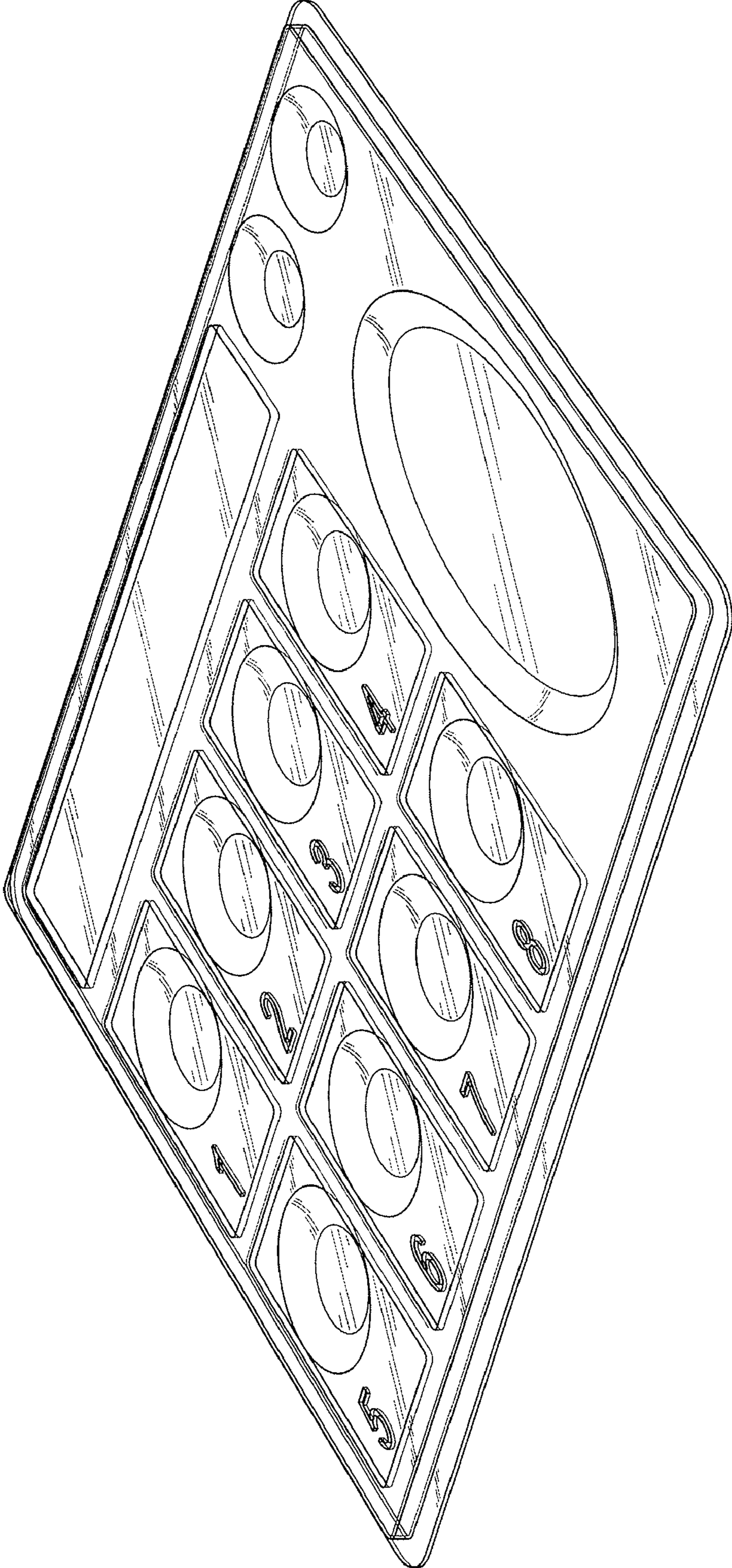


FIG. 1

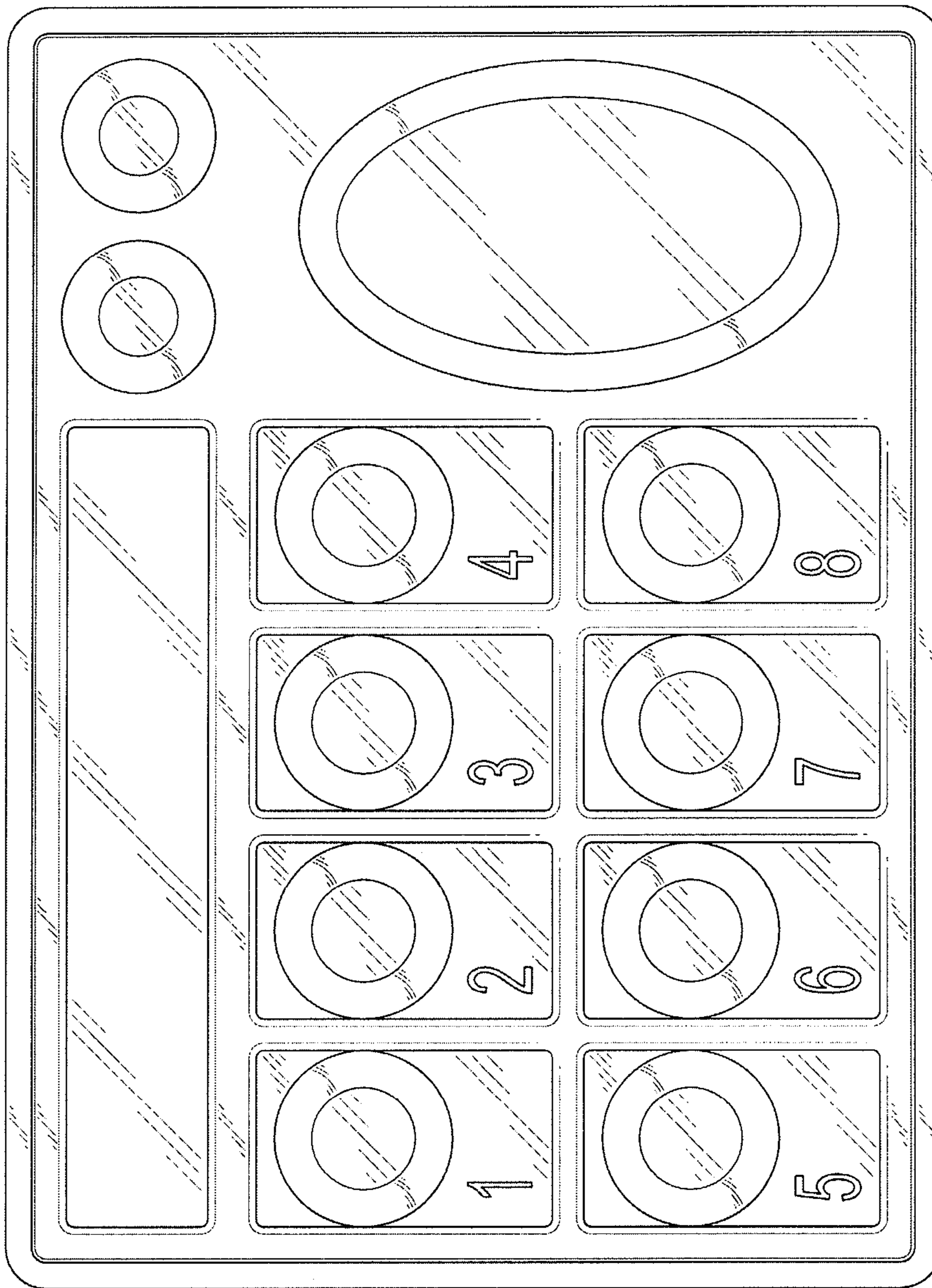


FIG. 2

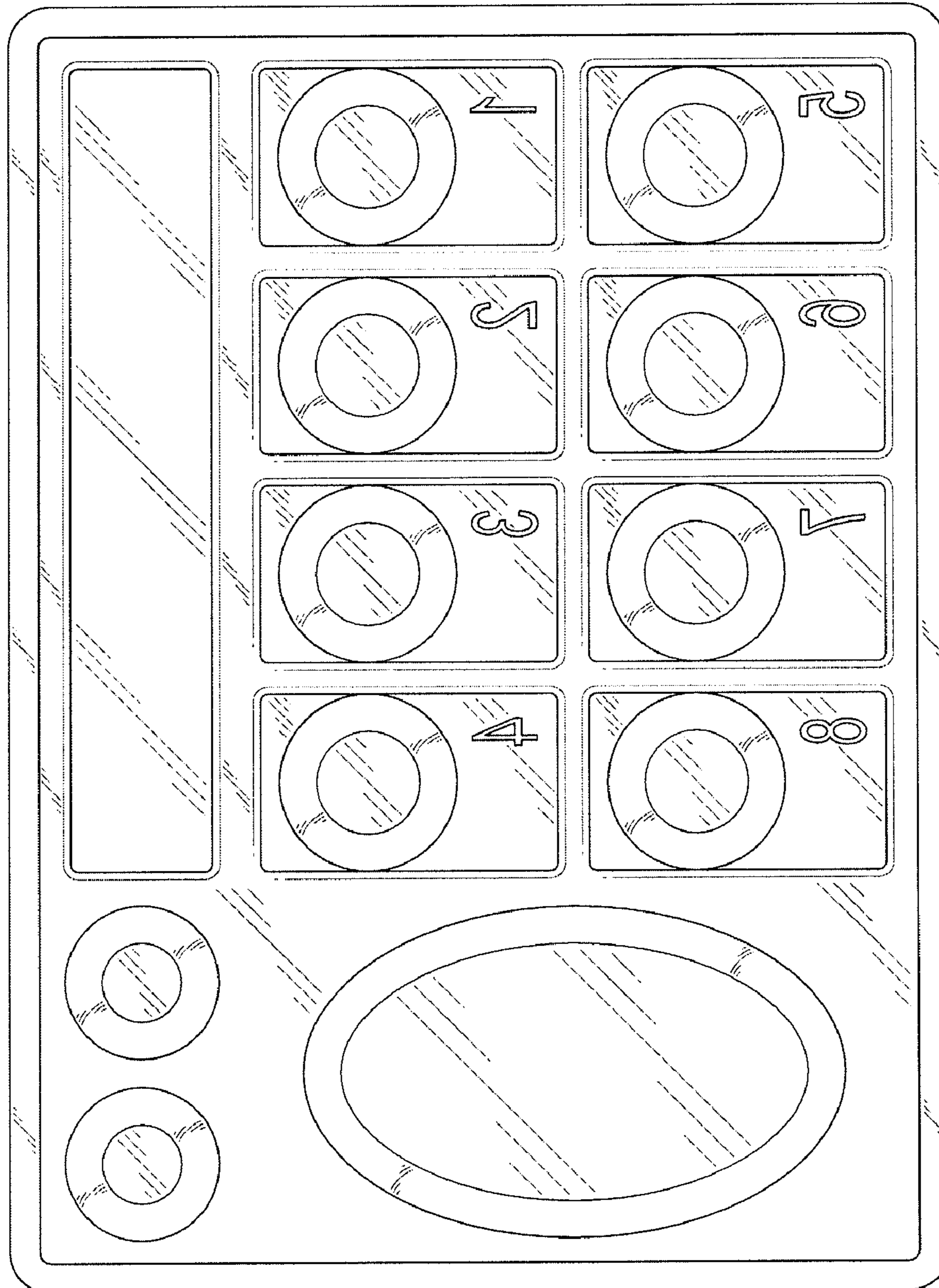


FIG. 3

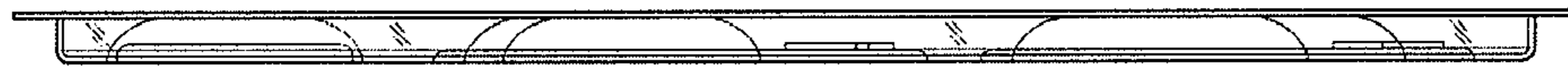


FIG. 5



FIG. 4



FIG. 6



FIG. 7