



US00D651350S

(12) **United States Design Patent**
Paquet et al.

(10) **Patent No.:** **US D651,350 S**

(45) **Date of Patent:** **** Dec. 27, 2011**

(54) **COMPACT FOR COSMETICS**

(75) Inventors: **Kenneth Paquet**, Toronto (CA); **Sandra Milligan**, Toronto (CA)

(73) Assignee: **2076813 Ontario, Inc.**, Toronto, Ontario (CA)

(**) Term: **14 Years**

(21) Appl. No.: **29/394,757**

(22) Filed: **Jun. 21, 2011**

(51) **LOC (9) Cl.** **28-03**

(52) **U.S. Cl.** **D28/83**

(58) **Field of Classification Search** D28/76-84,
D28/64.1-64.3; 132/286-288, 291, 293-307,
132/313-318; 206/823, 581
See application file for complete search history.

(56) **References Cited**

U.S. PATENT DOCUMENTS

1,715,821	A	6/1929	Deitel	
1,754,981	A	4/1930	Coryell	
1,774,543	A	9/1930	Babbitt	
1,774,767	A	9/1930	Smith	
1,851,462	A	3/1932	Steller	
1,883,793	A	10/1932	Johnson	
1,999,328	A	4/1935	Lessard	
2,137,886	A	11/1938	Zell	
2,230,202	A	1/1941	Machin	
D148,815	S	2/1948	Olevin	
D453,859	S *	2/2002	Spearman	D28/77
6,412,640	B1	7/2002	Destangue et al.	
D465,305	S *	11/2002	Thorpe et al.	D28/83
D473,681	S *	4/2003	Thorpe	D28/83
D476,116	S *	6/2003	Cohen	D28/83
D554,804	S *	11/2007	Bernard	D28/83
D564,133	S *	3/2008	Boye et al.	D28/83
D576,770	S *	9/2008	Mascotte et al.	D28/83
7,451,887	B2	11/2008	Kobayashi et al.	
D597,256	S *	7/2009	Liden	D28/83
D627,931	S *	11/2010	Barresi et al.	D28/83
2011/0061675	A1	3/2011	McKinley	

OTHER PUBLICATIONS

Mark Snap to It Mega Custom Color Palette; 2 pages published on the Internet.

MAC Cosmetics/Pro Palette Brush XC.

Customizable Palettes: 3 Pan Palette, 1 page by Bobbi Brown Cosmetics.

Custom Compact by Laura Mercier, 2 pages.

Z Palette Ultimate Customizable Makeup, 1 page.

* cited by examiner

Primary Examiner — Jennifer Rivard

(74) *Attorney, Agent, or Firm* — Young Basile Hanlon & MacFarlane, PC

(57) **CLAIM**

The ornamental design for the compact for cosmetics, as shown and described.

DESCRIPTION

FIG. 1 is a perspective view of a container showing our new design, this view showing the top and two sides;

FIG. 2 is a right side view thereof;

FIG. 3 is a top view thereof;

FIG. 4 is a front side view thereof;

FIG. 5 is a bottom view thereof;

FIG. 6 is a perspective view of the container in an open position;

FIG. 7 is a top view of the container in the open position of FIG. 6;

FIG. 8 is a front view of the container in the open position;

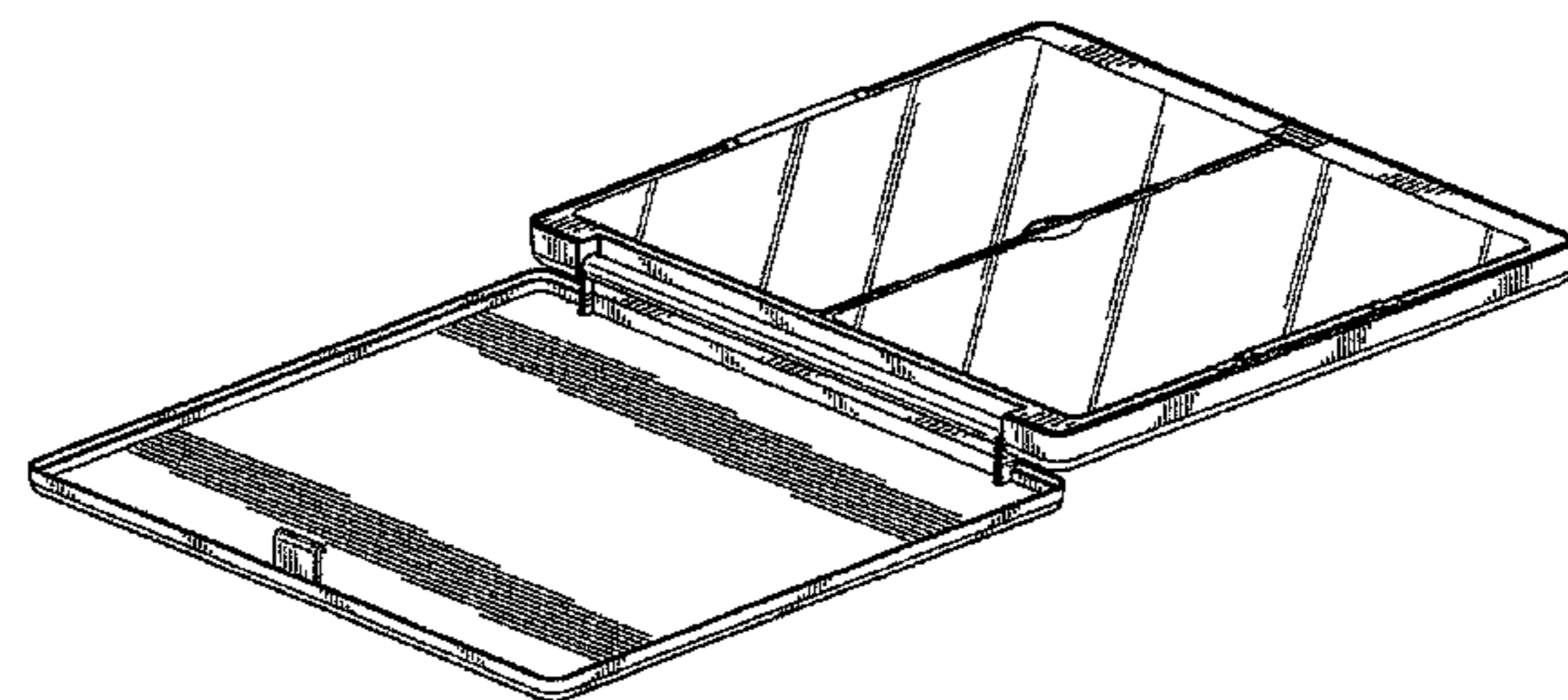
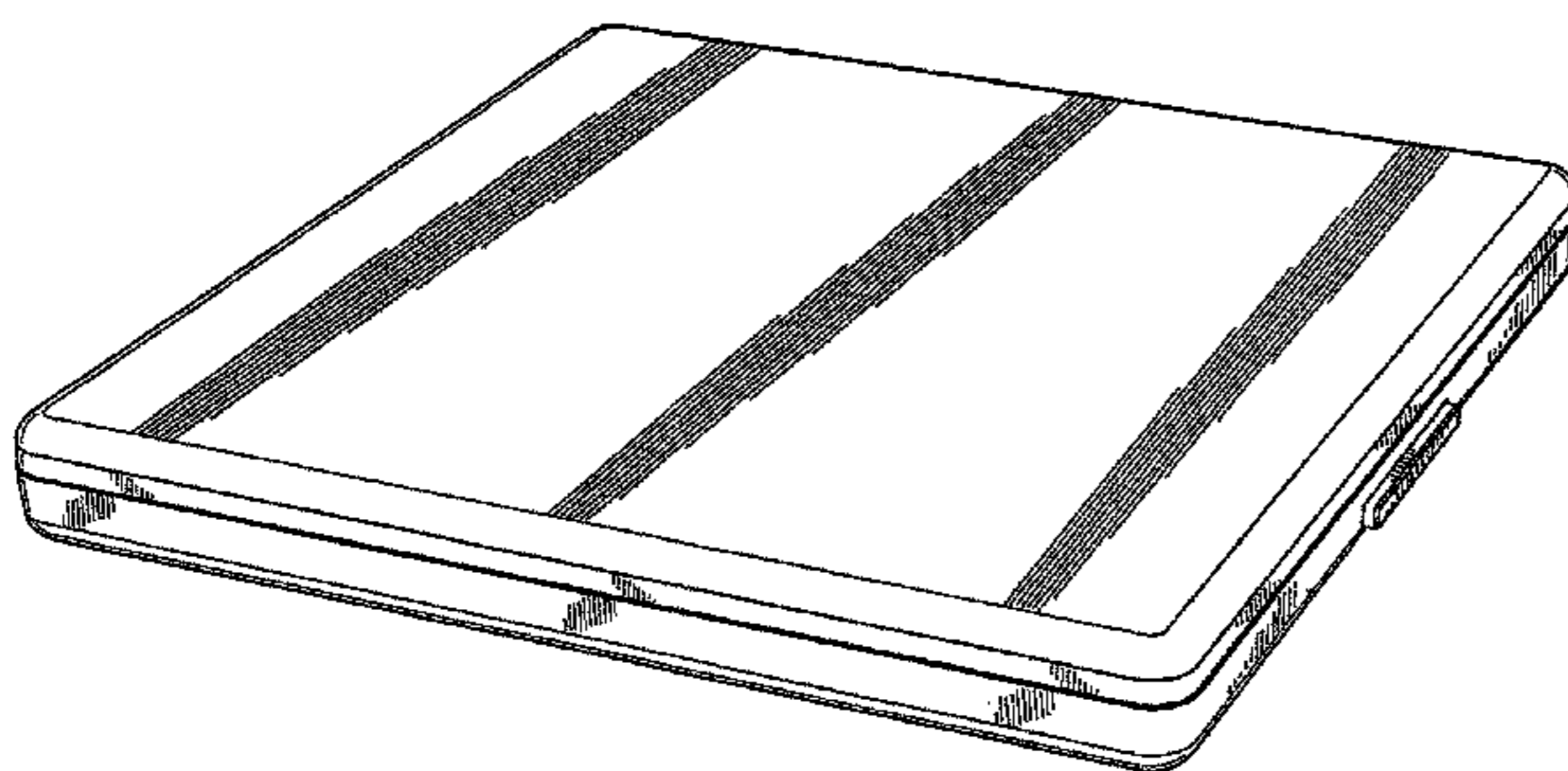
FIG. 9 is a left side view of the container in an open position;

FIG. 10 is a bottom view of the container in the open position;

FIG. 11 is an end elevation view of the container in the open position; and,

FIG. 12 is a right side view of the container of FIG. 10 in the open position.

1 Claim, 6 Drawing Sheets



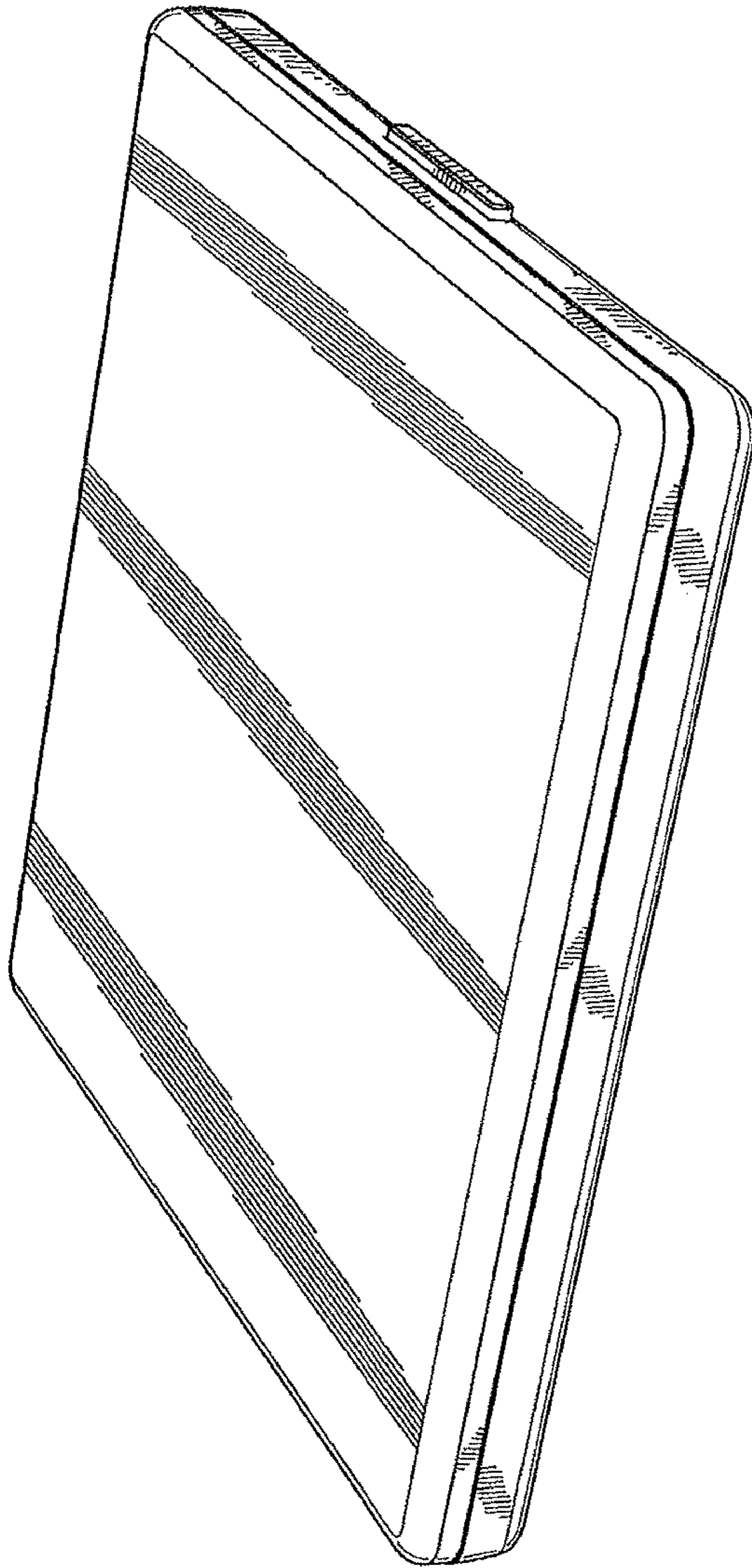


FIG. 1



FIG. 2

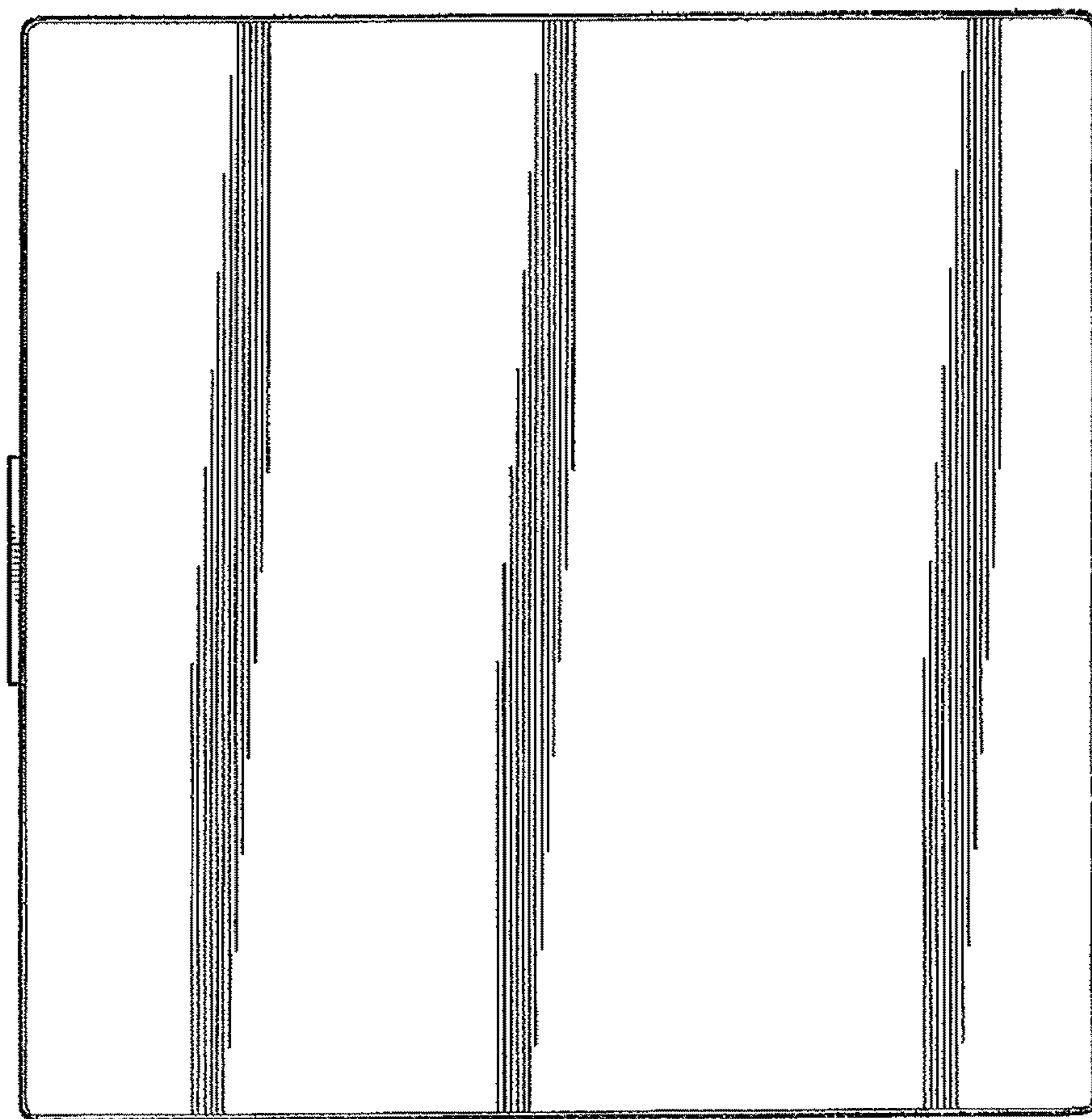


FIG. 3

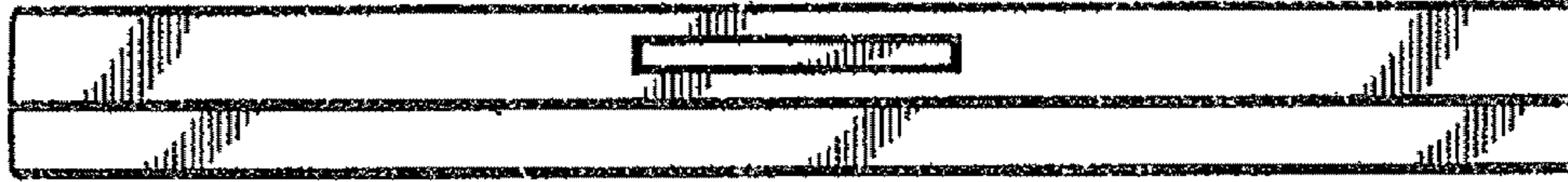


FIG. 4

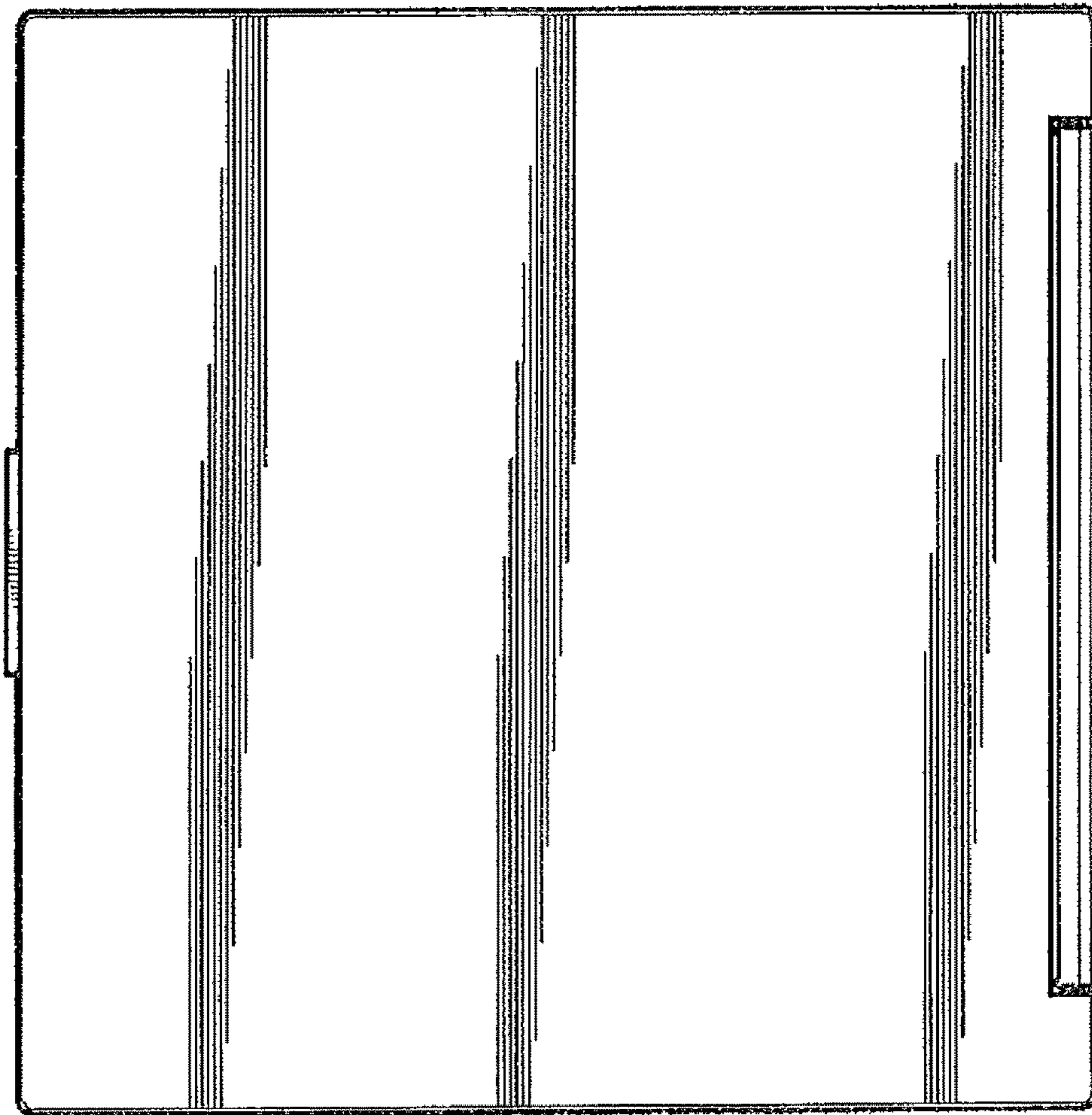


FIG. 5

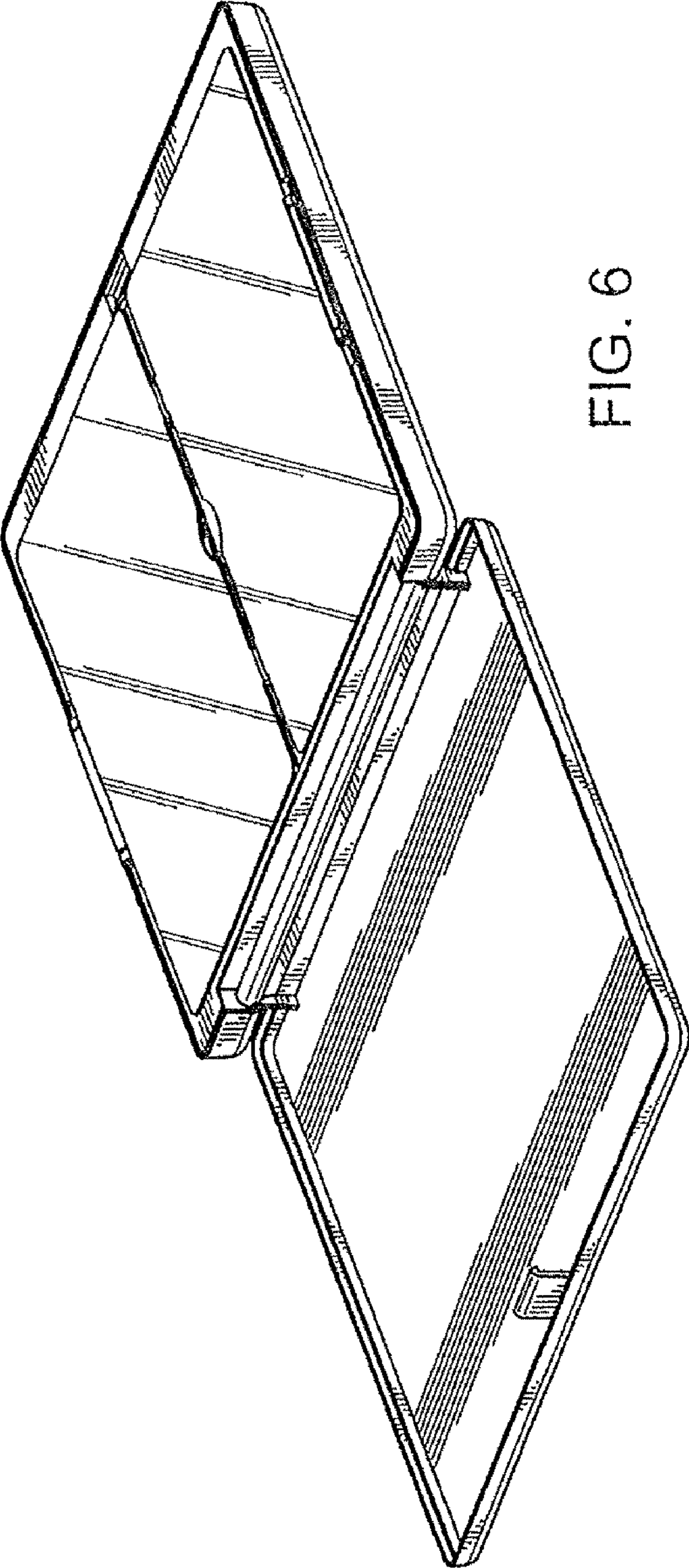


FIG. 6

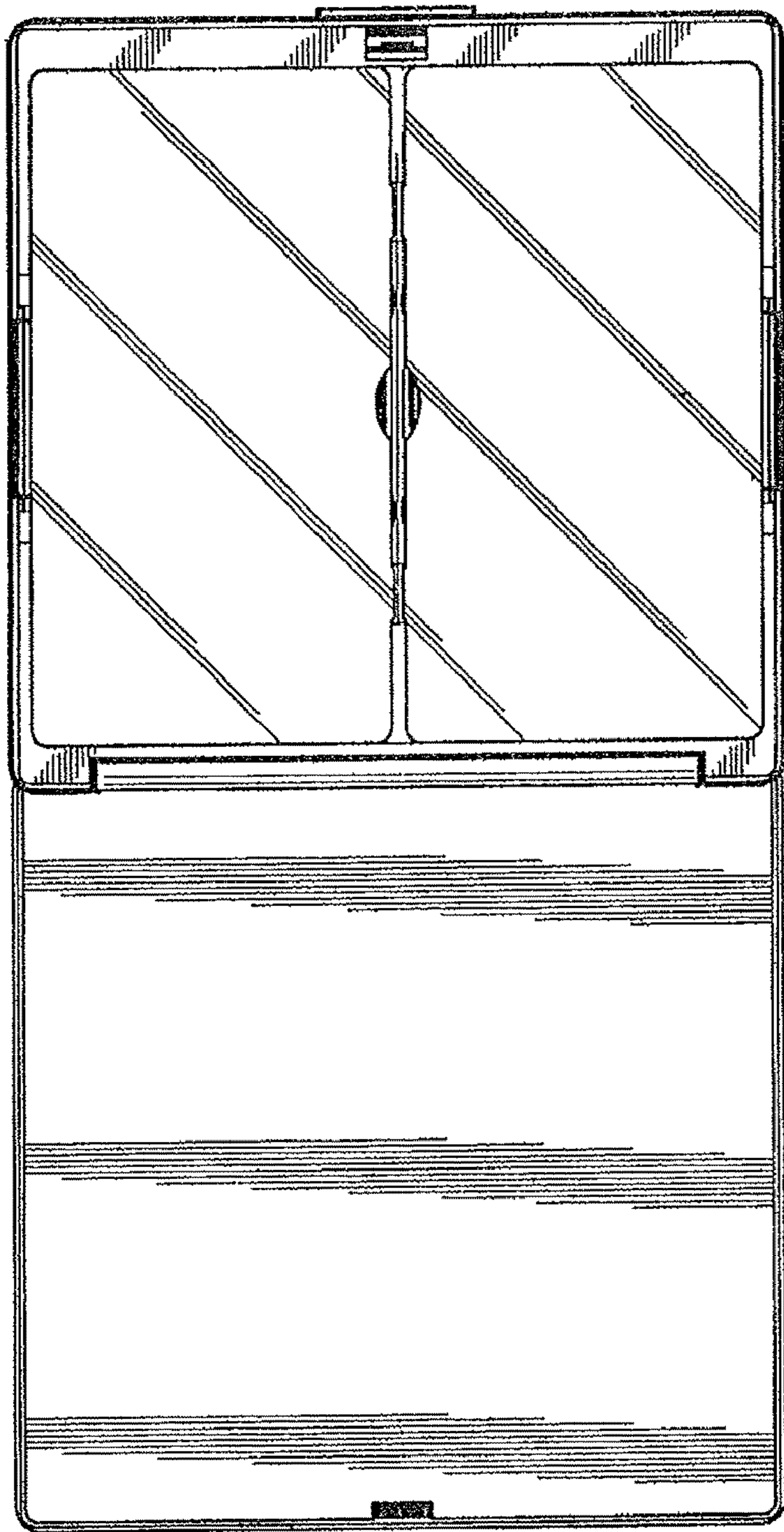


FIG. 7

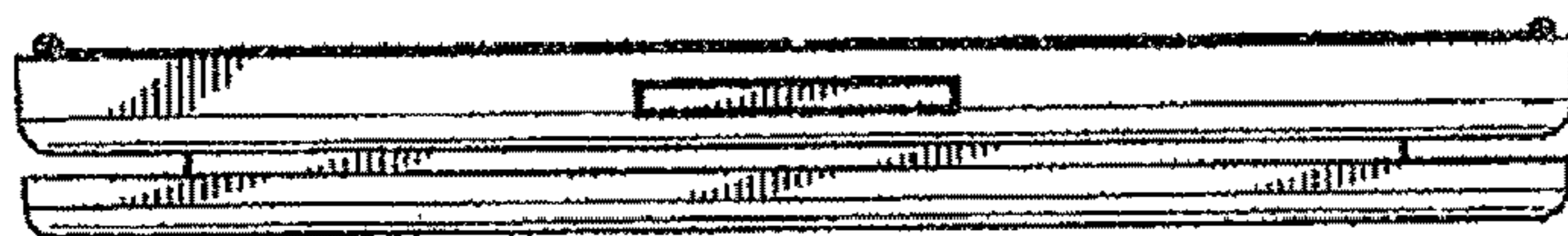


FIG. 8

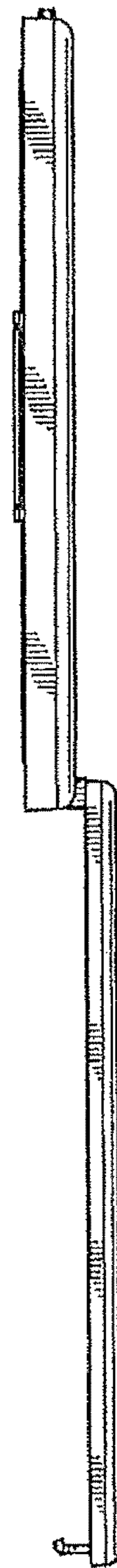


FIG. 9

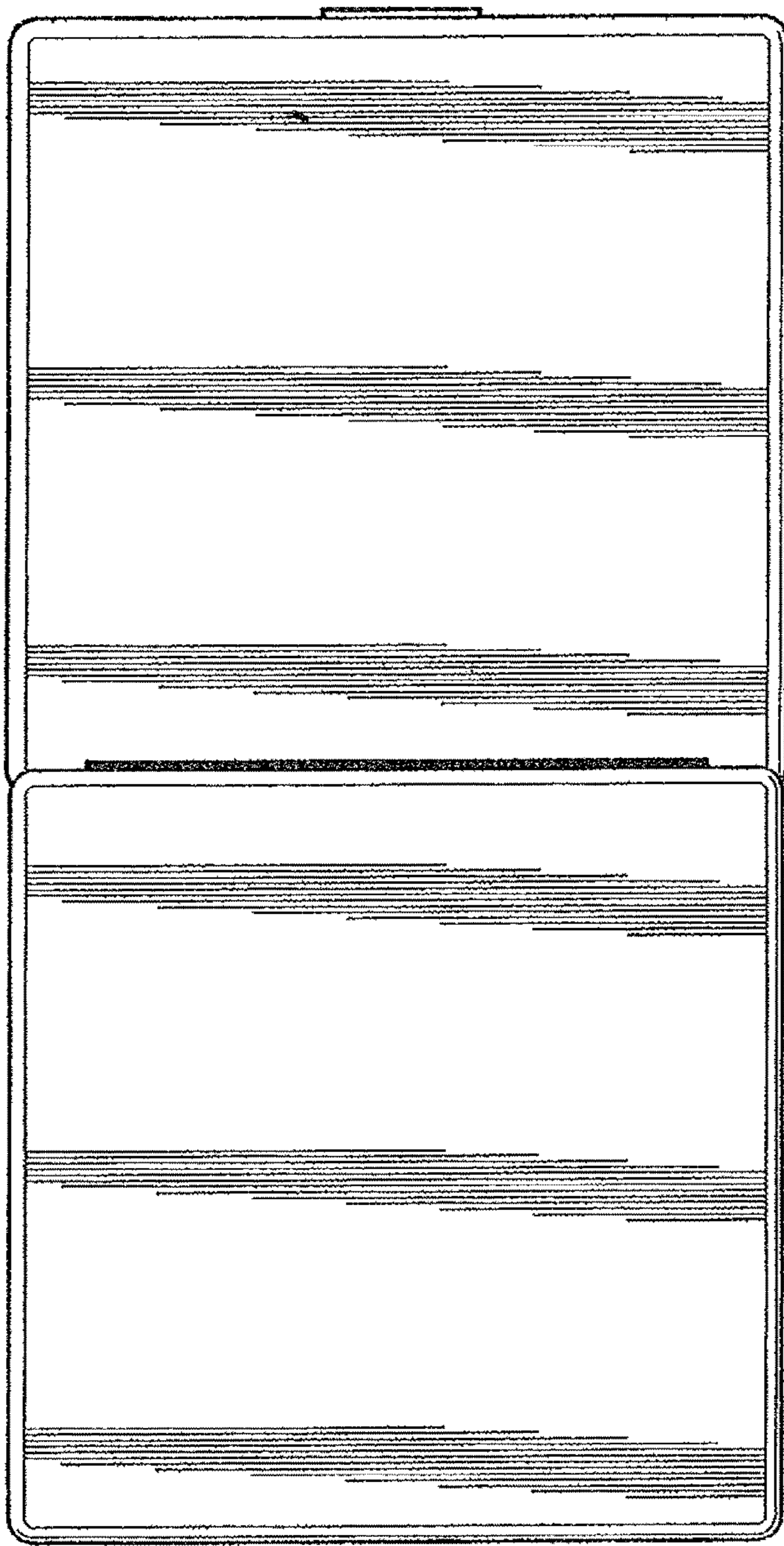


FIG. 10



FIG. 11

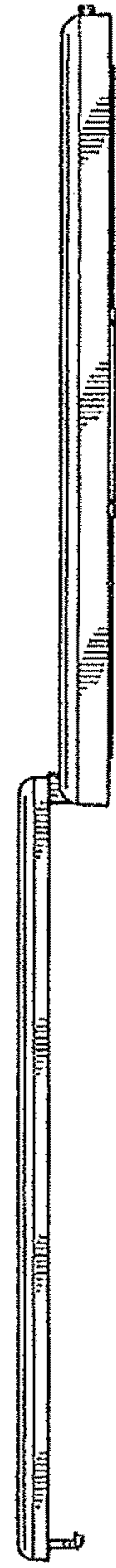


FIG. 12