



US00D651349S

(12) **United States Design Patent**
DeMarco

(10) **Patent No.:** **US D651,349 S**

(45) **Date of Patent:** **** Dec. 27, 2011**

(54) **COSMETIC CASE**

(75) Inventor: **Jenny DeMarco**, Frisco, TX (US)

(73) Assignee: **Mary Kay Inc.**, Dallas, TX (US)

(**) Term: **14 Years**

(21) Appl. No.: **29/382,261**

(22) Filed: **Dec. 30, 2010**

(51) **LOC (9) Cl.** **28-03**

(52) **U.S. Cl.** **D28/64.1; D28/83**

(58) **Field of Classification Search** D28/76-84,
D28/64.1-64.3; 132/286-288, 291, 293-307,
132/313-318; 206/823, 581
See application file for complete search history.

(56) **References Cited**

U.S. PATENT DOCUMENTS

1,511,525	A	10/1924	Saabt	132/296
1,541,451	A	6/1925	Wallace	132/296
1,583,120	A	5/1926	Brenner	132/296
1,635,891	A	7/1927	Kendall	132/293
1,732,866	A	10/1929	Stiriss	132/296
1,957,157	A	5/1934	Bosch	206/752
2,461,421	A	2/1949	Jacobus	132/316
2,535,455	A	12/1950	Reilly	220/259.2
2,635,612	A	4/1953	Dean	132/288
3,360,116	A	12/1967	Somers et al.	206/45.2
3,669,300	A	6/1972	Thomas	220/832
3,780,746	A *	12/1973	Hayes	132/316
3,949,767	A *	4/1976	Rose	132/301
4,821,751	A	4/1989	Chen	132/295
D305,281	S	1/1990	Chen	28/76
5,054,505	A	10/1991	Yuhara	132/294
5,218,978	A	6/1993	Yang et al.	132/304
5,353,947	A *	10/1994	Zinnbauer et al.	206/581
5,437,294	A	8/1995	Ebbets, III et al.	132/304

(Continued)

FOREIGN PATENT DOCUMENTS

GB 753647 A 7/1956

(Continued)

Primary Examiner — Jennifer Rivard

(74) *Attorney, Agent, or Firm* — Fulbright & Jaworski L.L.P.

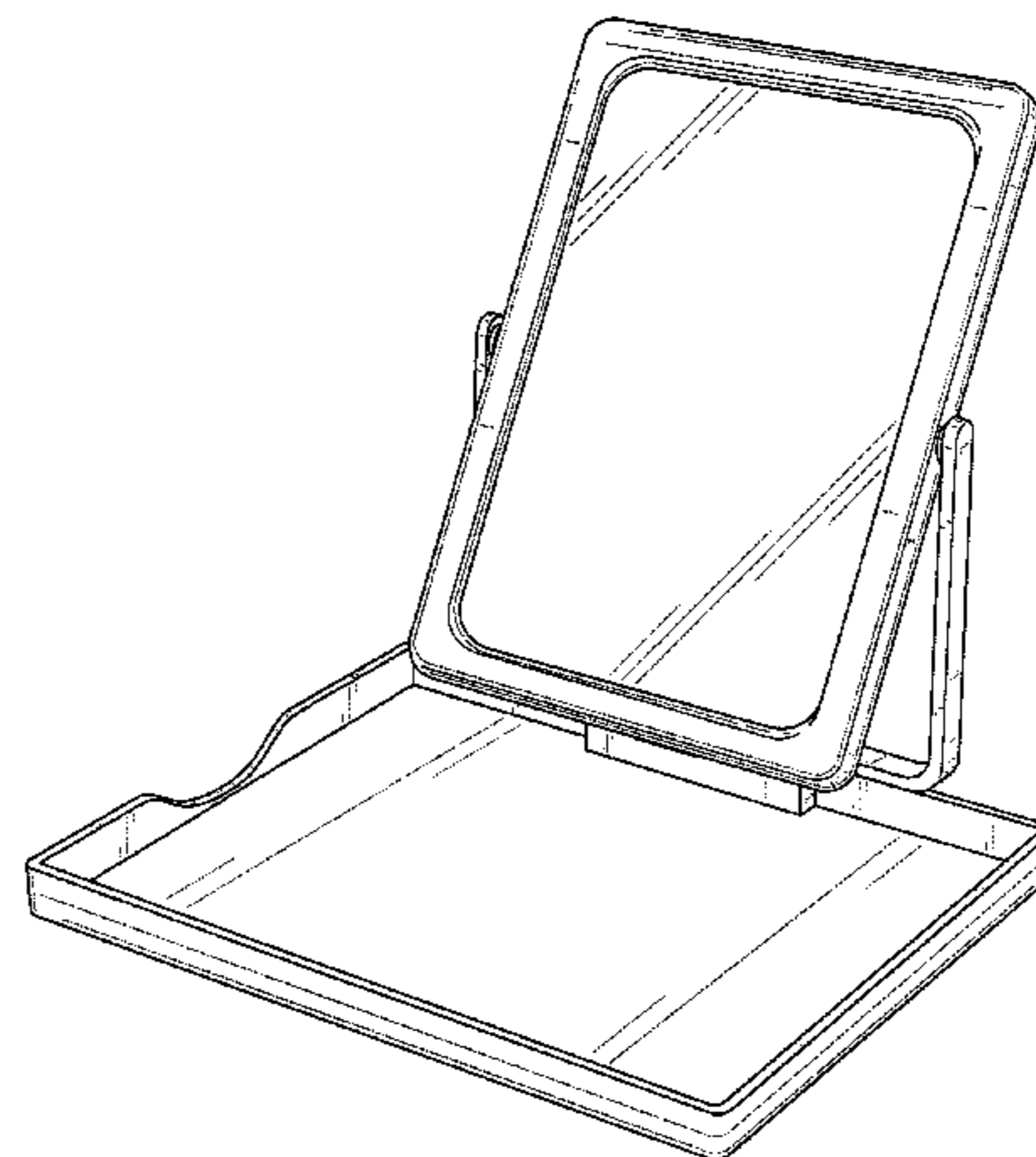
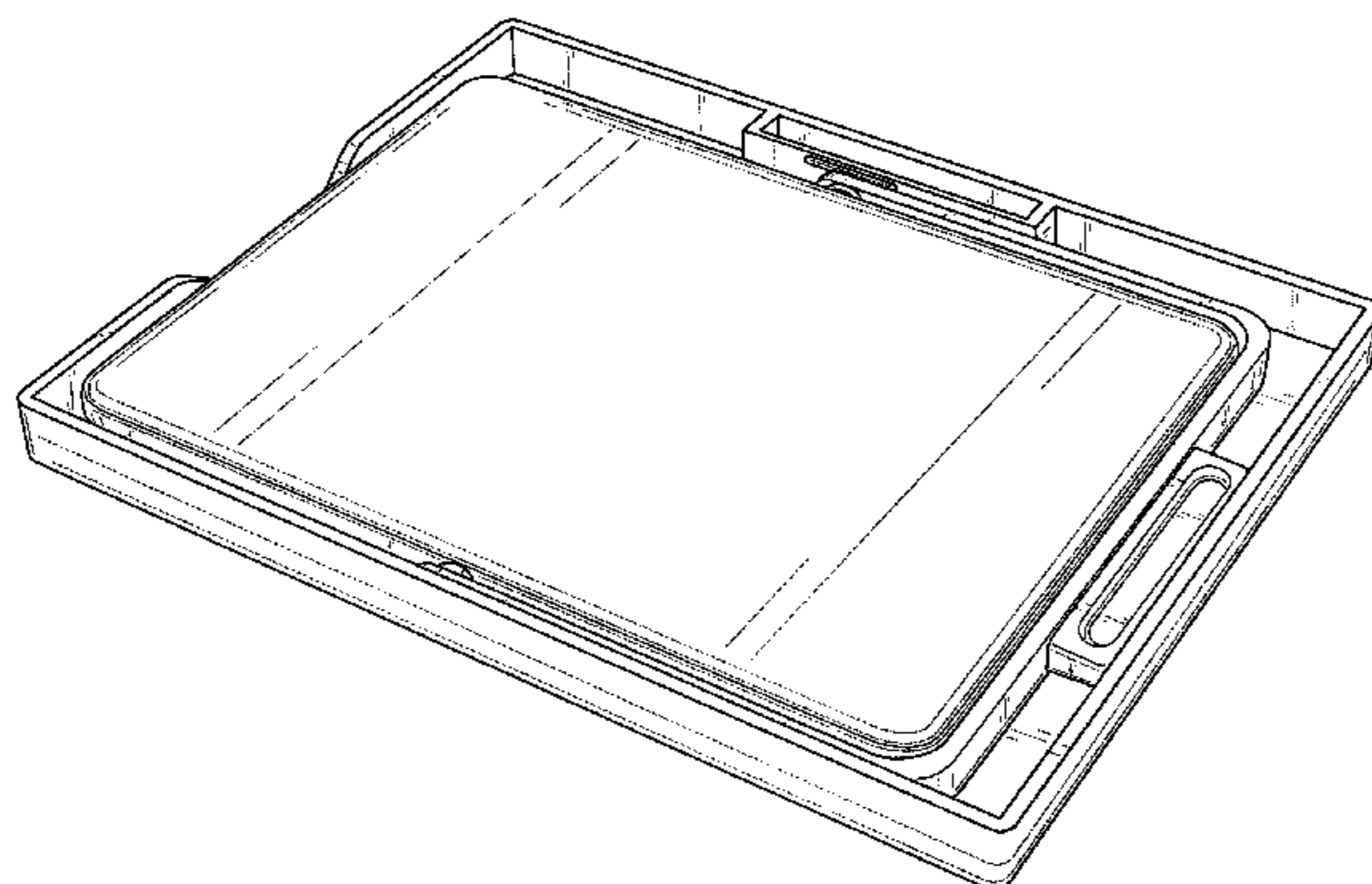
(57) **CLAIM**

I claim the ornamental design for a cosmetic case, as shown and described.

DESCRIPTION

FIG. 1 is a top perspective view of the cosmetic case shown in a closed position;
 FIG. 2 is a top view thereof;
 FIG. 3 is a bottom view thereof;
 FIG. 4 is a back view thereof;
 FIG. 5 is a front view thereof;
 FIG. 6 is a right side view thereof;
 FIG. 7 is a left side view of the first embodiment of the cosmetic case shown in an assembled position;
 FIG. 8 is a bottom perspective view thereof;
 FIG. 9 is top perspective view thereof;
 FIG. 10 is a top view thereof;
 FIG. 11 is a bottom view thereof;
 FIG. 12 is a front view thereof;
 FIG. 13 is a back view thereof;
 FIG. 14 is a right side view thereof;
 FIG. 15 is a left side view thereof;
 FIG. 16 is a bottom perspective view thereof;
 FIG. 17 is a top perspective view of a second embodiment of the cosmetic case shown in an assembled position;
 FIG. 18 is a top view thereof;
 FIG. 19 is a bottom view thereof;
 FIG. 20 is a front view thereof;
 FIG. 21 is a back view thereof;
 FIG. 22 is a right side view thereof;
 FIG. 23 is a left side view thereof;
 FIG. 24 is a top perspective view thereof, with the mirror rotated at a different angle when compared with the position of the mirror in FIG. 17; and,
 FIG. 25 is a top perspective exploded view thereof.
 The dashed lines in FIGS. 17-18 and 24-25 represent environmental structure and form no part of the claimed design. All other surface(s) or portion(s) of the embodiments of my designs not shown in the figures or otherwise described in the specification form no part of the claimed designs.

1 Claim, 23 Drawing Sheets



US D651,349 S

Page 2

U.S. PATENT DOCUMENTS

5,638,839 A 6/1997 Montoli 132/295
D428,208 S * 7/2000 Nodarse D28/77
D473,681 S 4/2003 Thorpe 28/83
D496,761 S 9/2004 Rodriguez 28/83
7,089,627 B2 8/2006 Seidler 16/320
D553,798 S 10/2007 Goswell 28/83
D553,799 S * 10/2007 Williams D28/83
D564,133 S 3/2008 Boye 28/83
7,422,018 B2 9/2008 Dieudonat 132/294
D586,505 S * 2/2009 Moon D28/82
7,530,457 B2 5/2009 Tsang 206/320
D601,757 S 10/2009 Sagel 28/83
7,614,756 B2 * 11/2009 Yue 132/304
D607,153 S 12/2009 Campbell et al. 28/76
7,740,370 B2 6/2010 Campbell et al. 362/135
7,810,644 B2 10/2010 Fraillon 206/581
7,849,863 B2 12/2010 Corbellini 132/295

2002/0189631 A1 12/2002 Phue 132/296
2004/0129599 A1 7/2004 Yi-Hung 206/581
2005/0194021 A1 9/2005 Byun 132/295
2007/0029225 A1 2/2007 Ko et al. 206/581
2008/0000493 A1 1/2008 Anderson et al. 132/295
2008/0142532 A1 6/2008 Corbellini et al. 220/813
2008/0173324 A1 7/2008 Washington 132/295
2008/0289645 A1 * 11/2008 Guillot 132/296
2009/0032052 A1 2/2009 Lee 132/296
2009/0078279 A1 3/2009 Boye et al. 132/295
2009/0255846 A1 10/2009 Pires et al. 206/581
2009/0272659 A1 11/2009 Kaiser et al. 206/235
2009/0320874 A1 * 12/2009 Boye et al. 132/295

FOREIGN PATENT DOCUMENTS

WO WO 2010/071263 6/2010

* cited by examiner

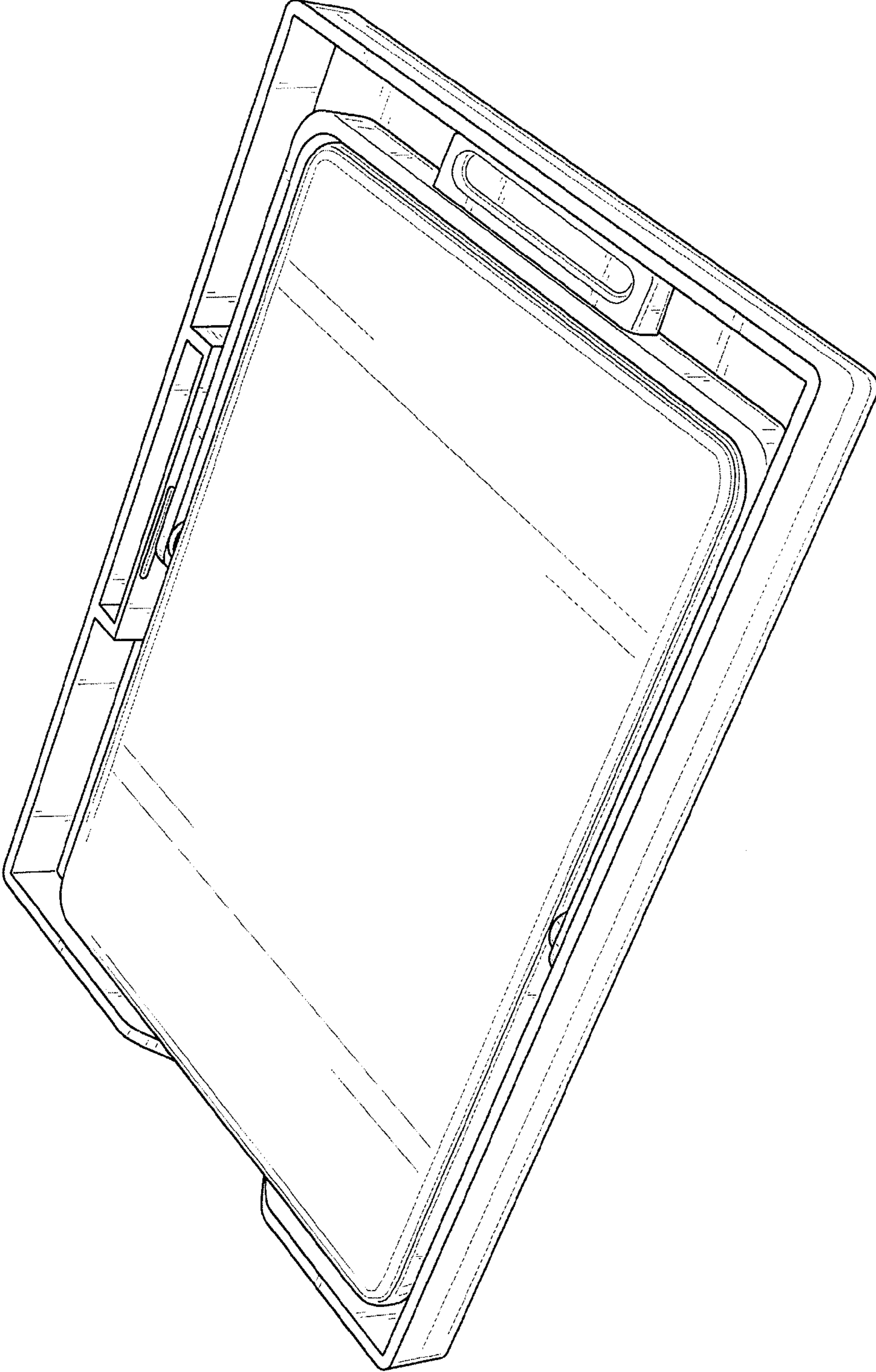


FIG. 1

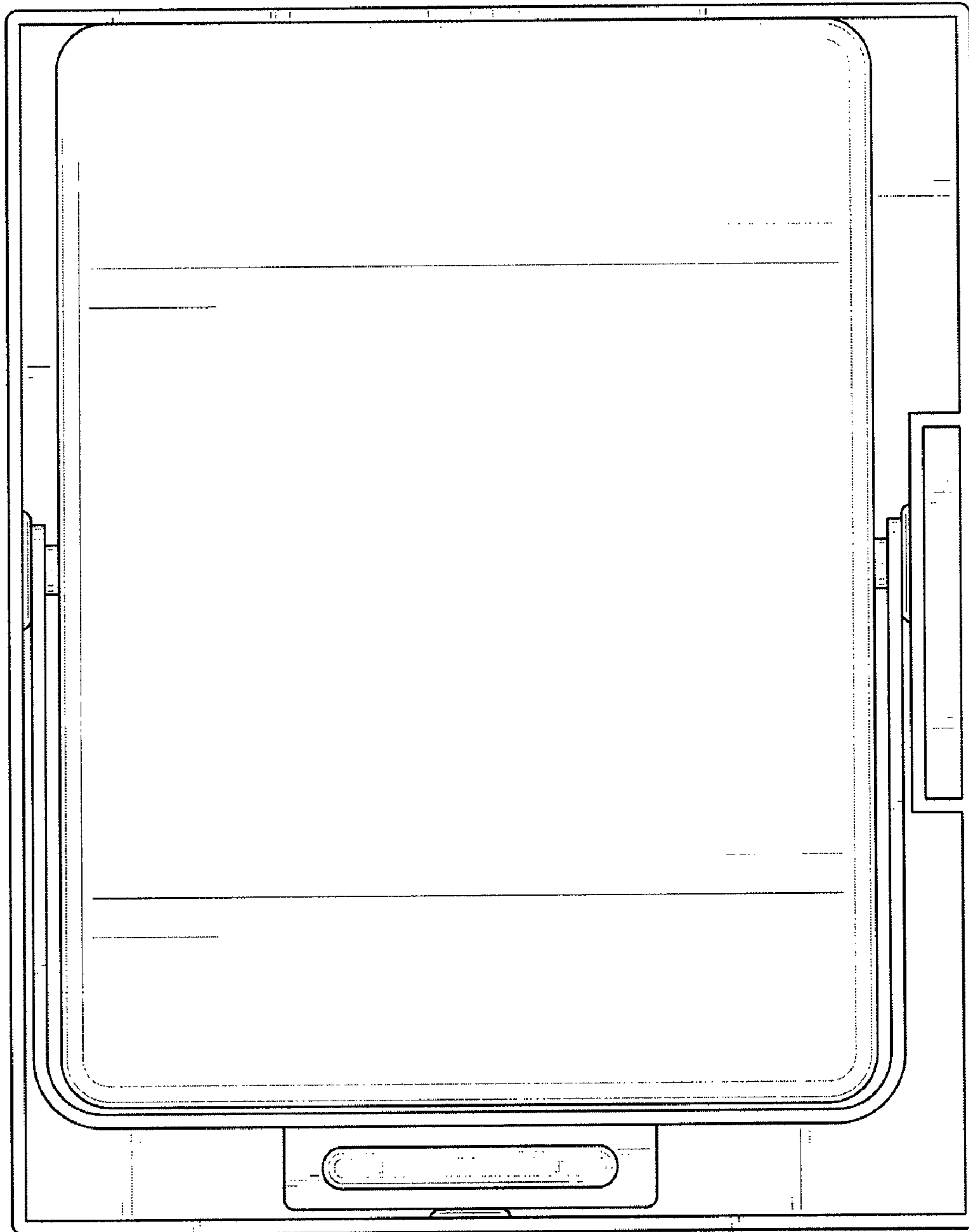


FIG. 2

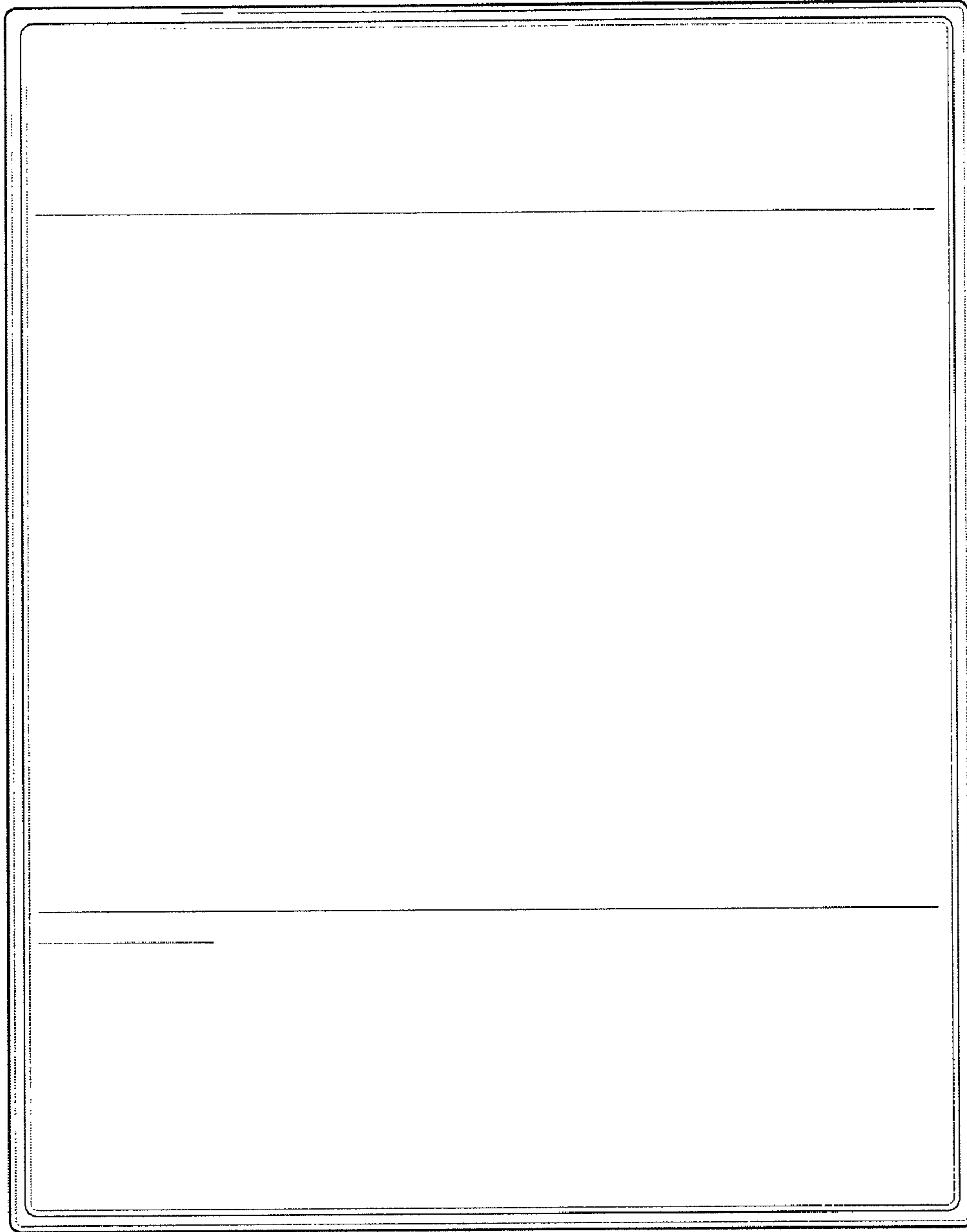


FIG. 3

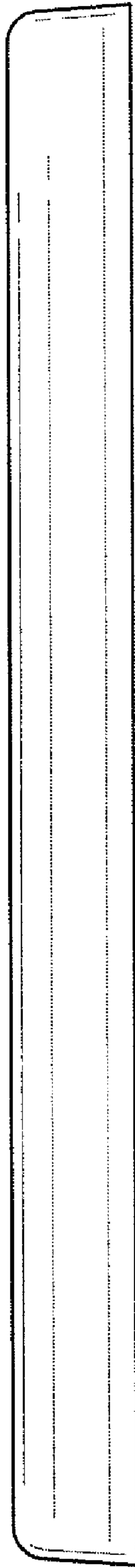


FIG. 4

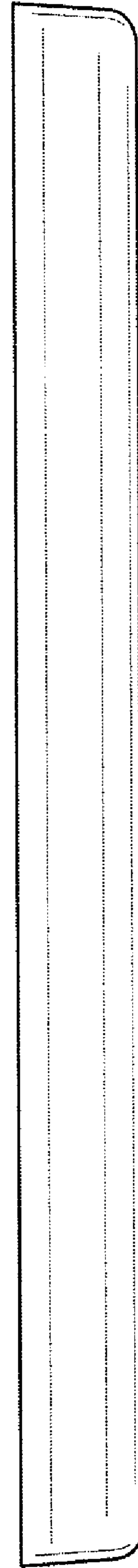


FIG. 5

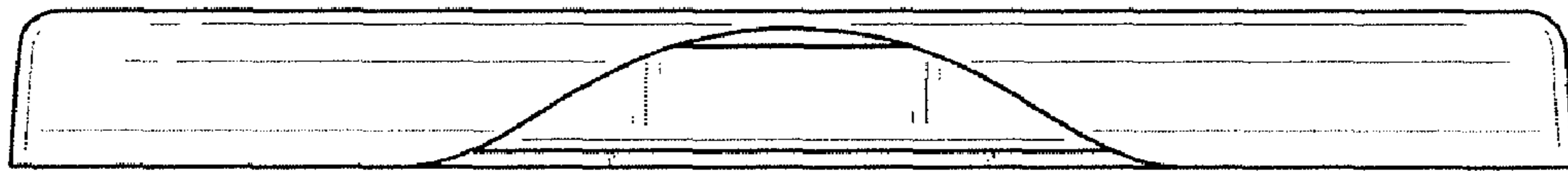


FIG. 6

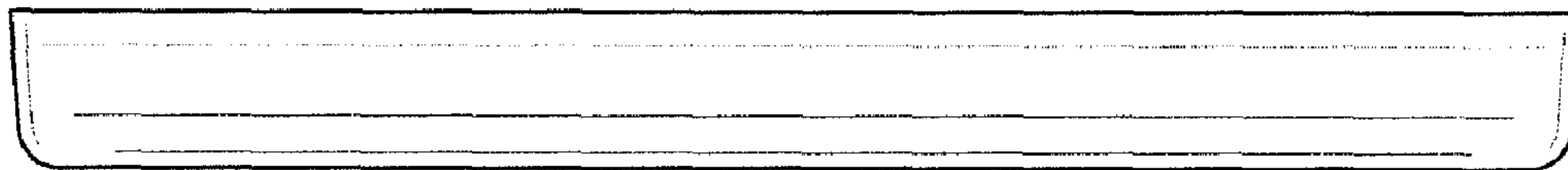


FIG. 7

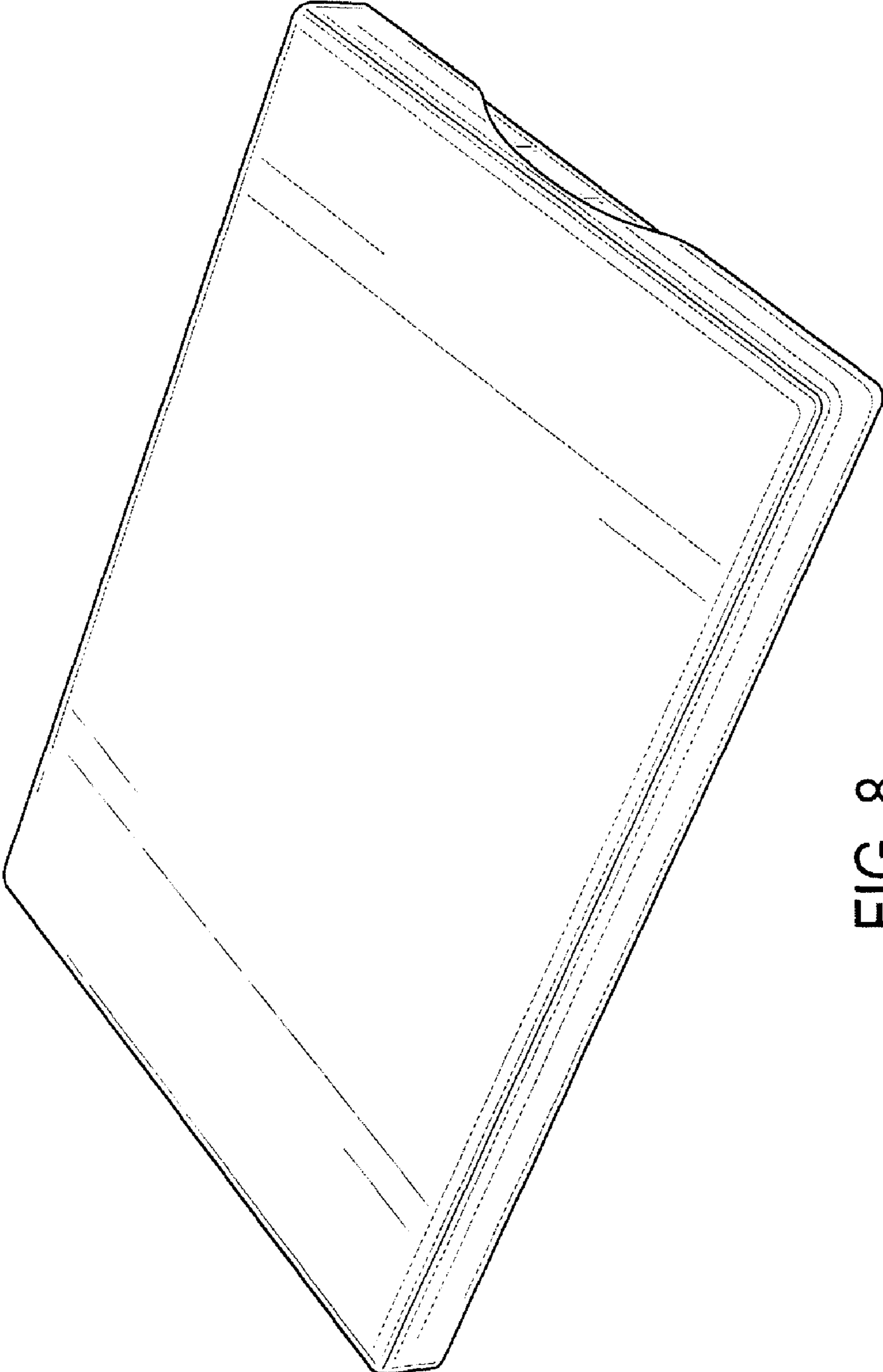


FIG. 8

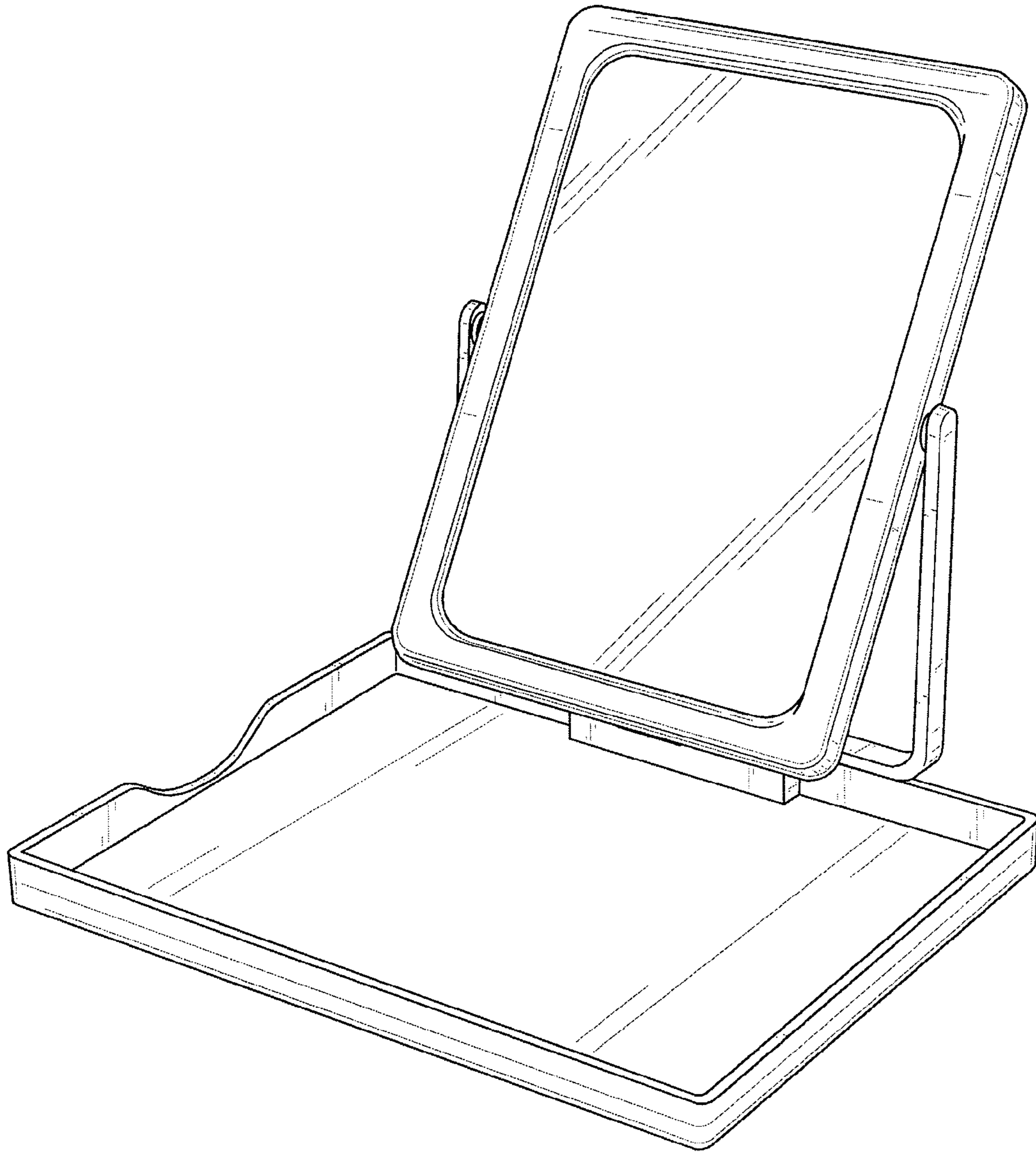


FIG. 9

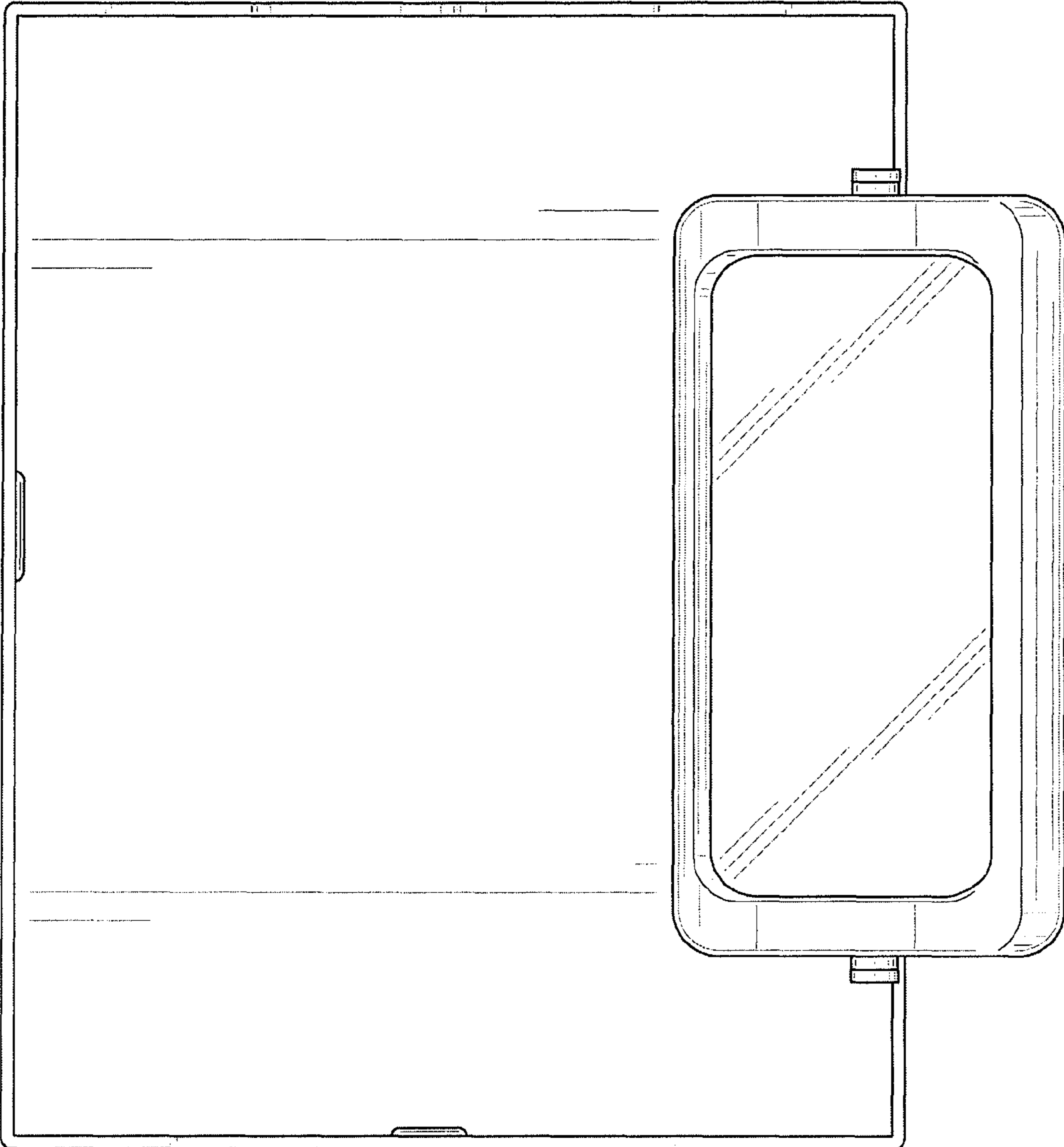


FIG. 10

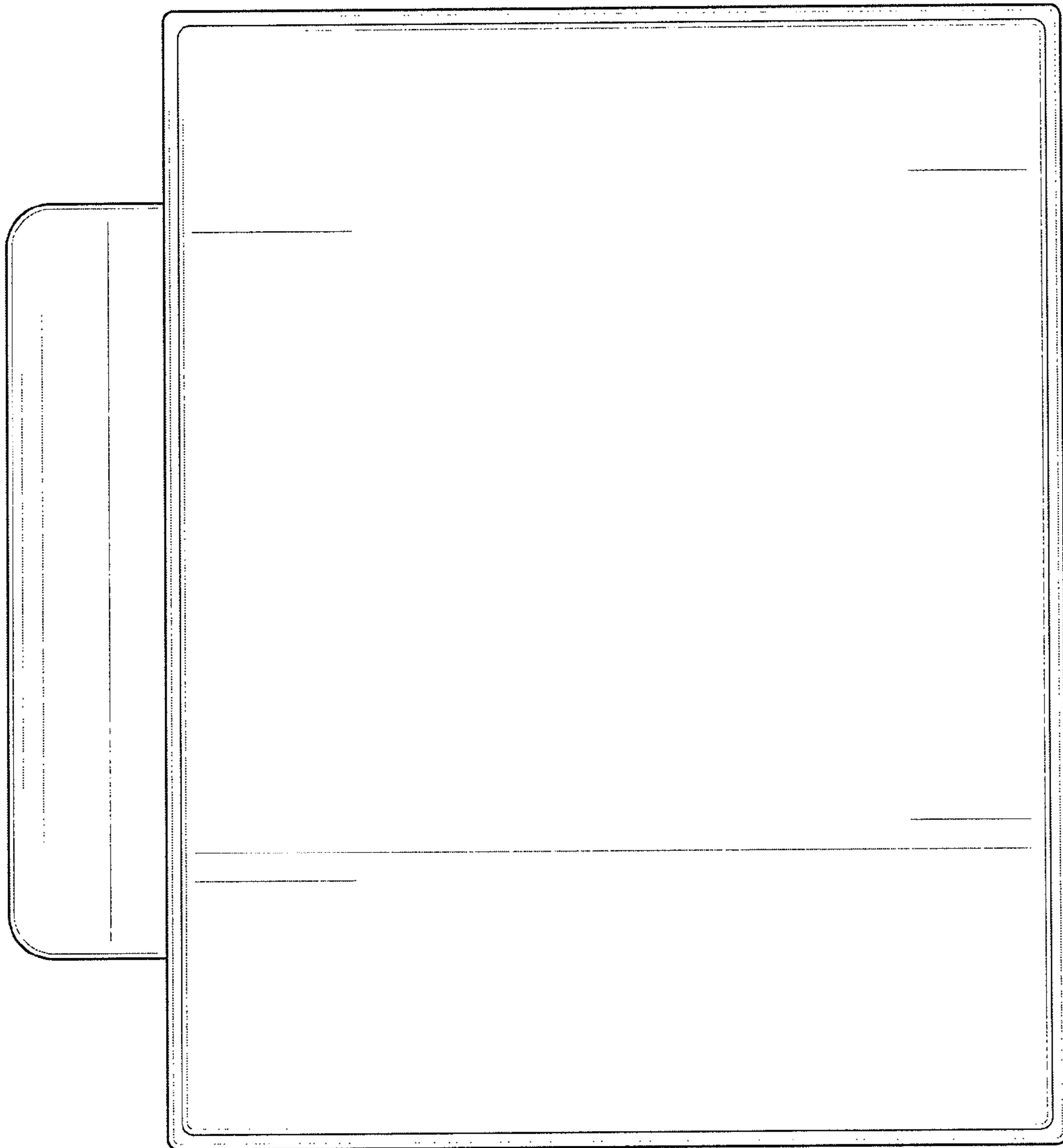


FIG. 11

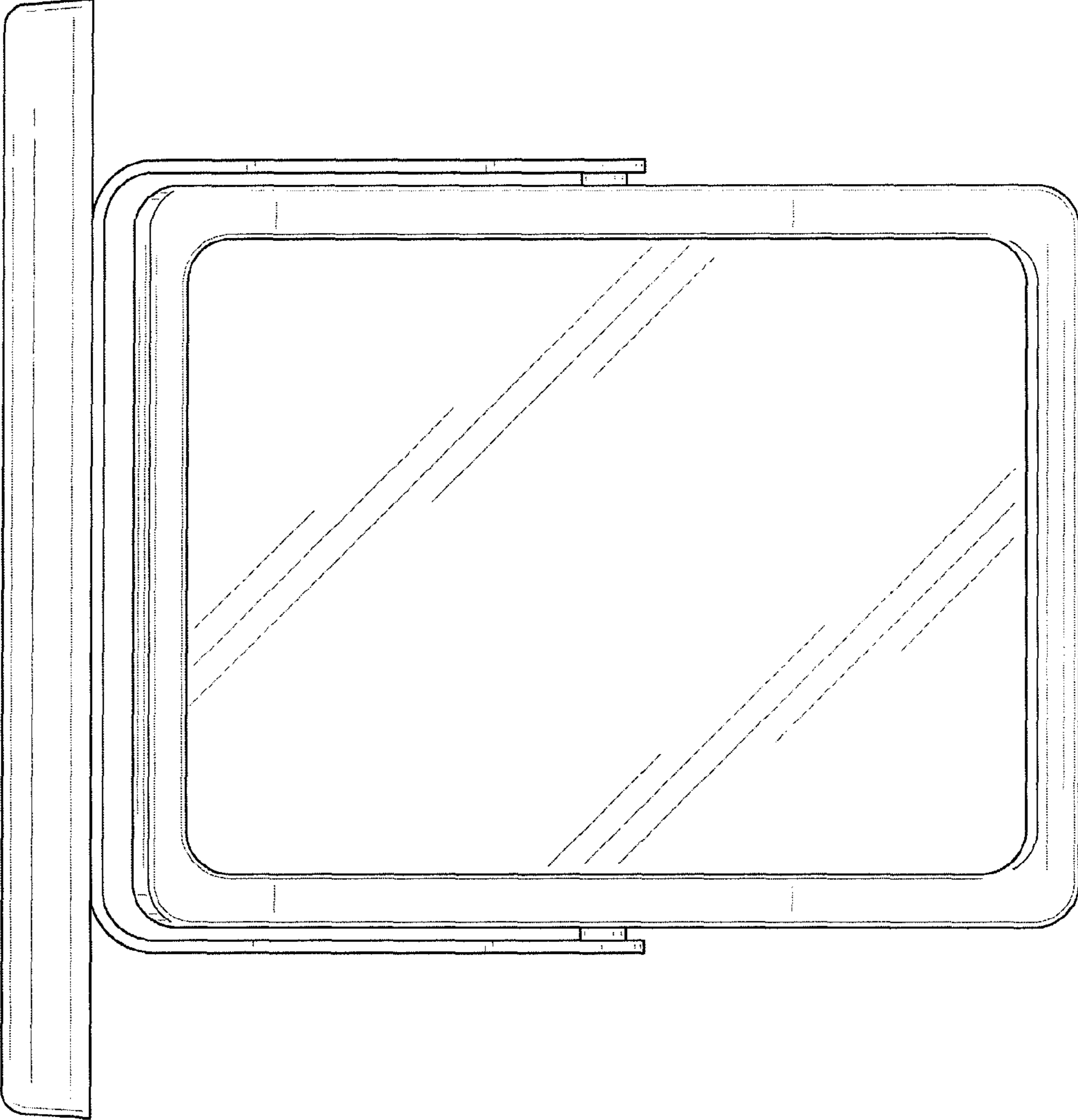


FIG. 12

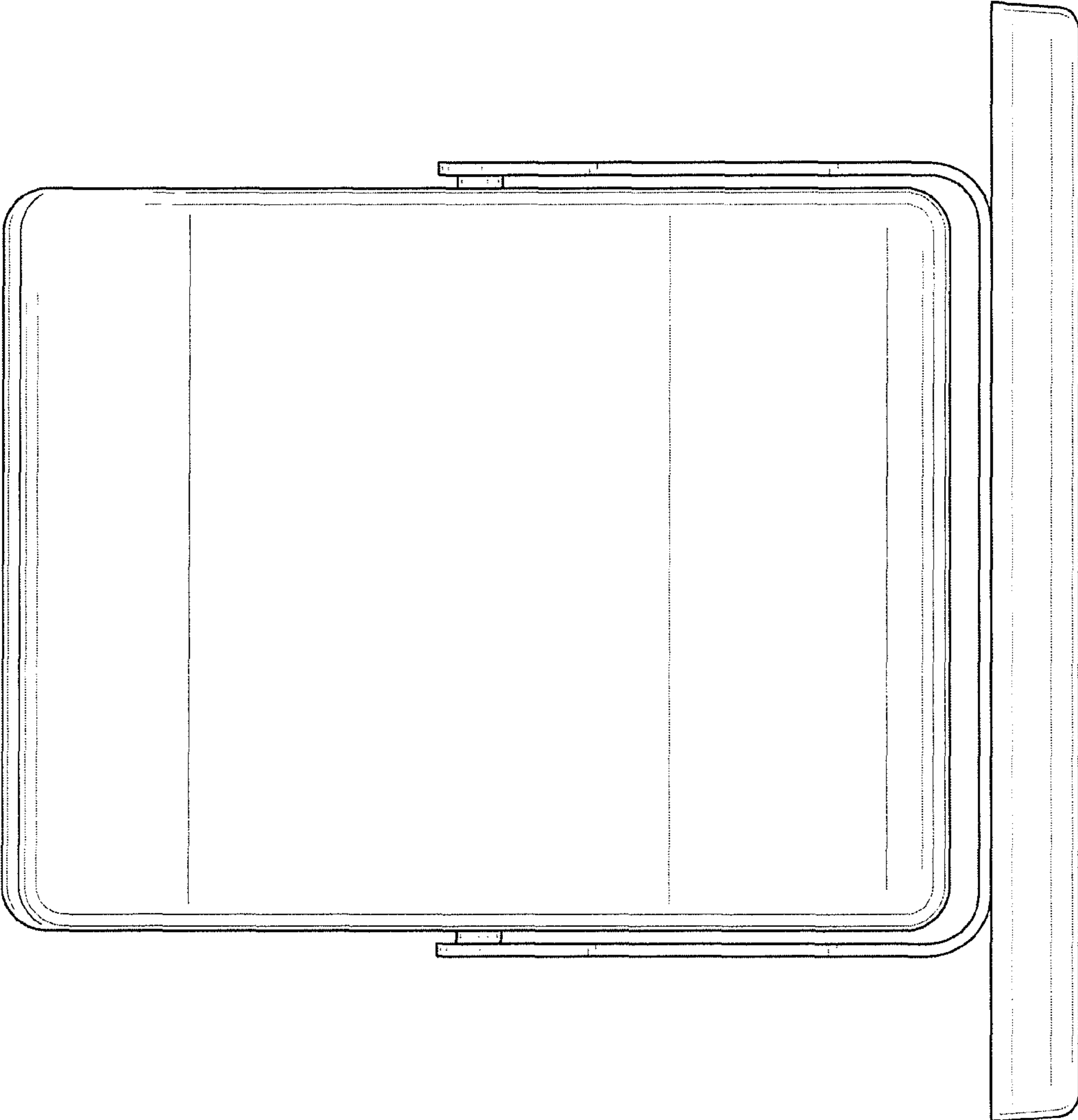


FIG. 13

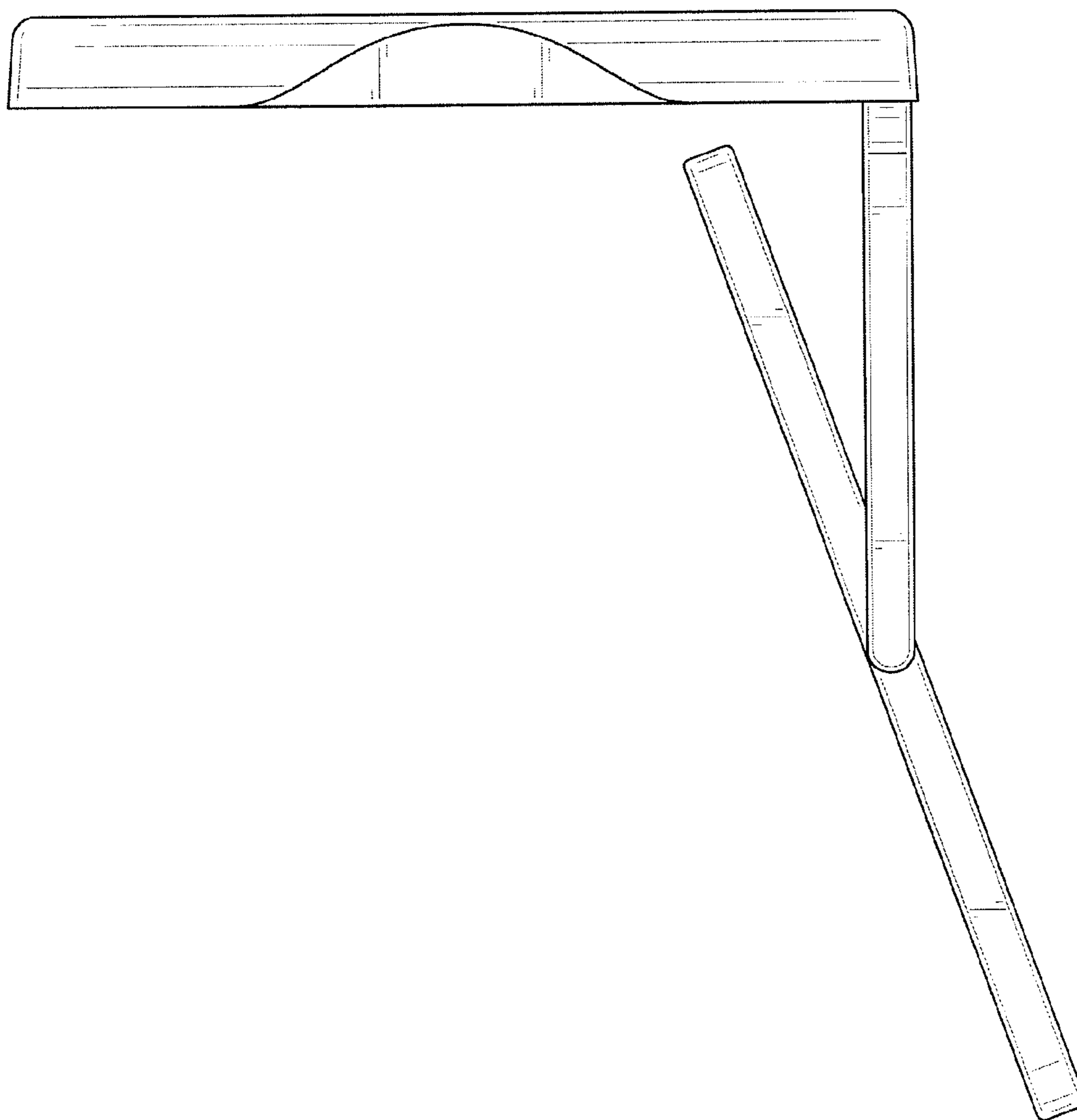


FIG. 14

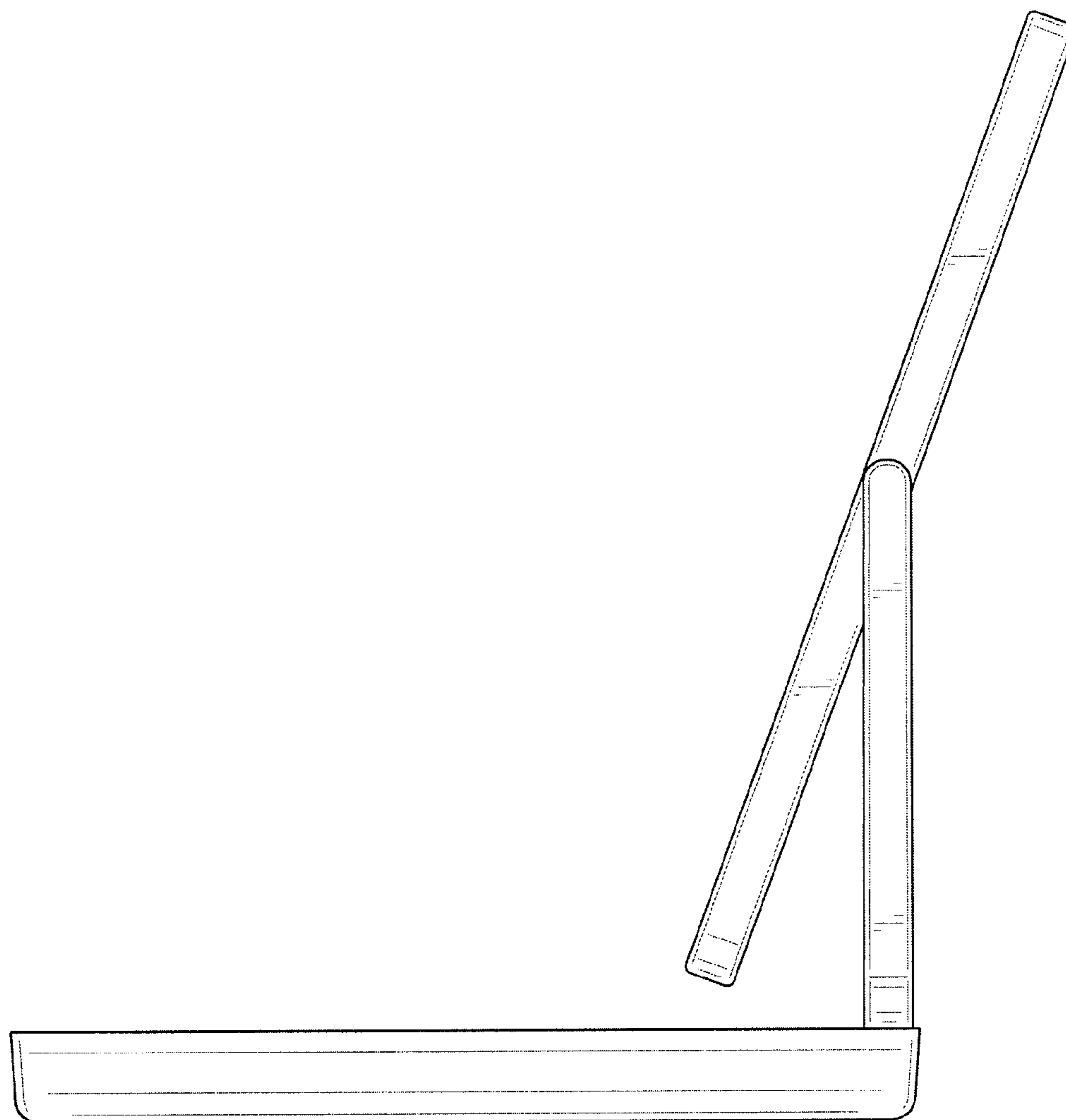


FIG. 15

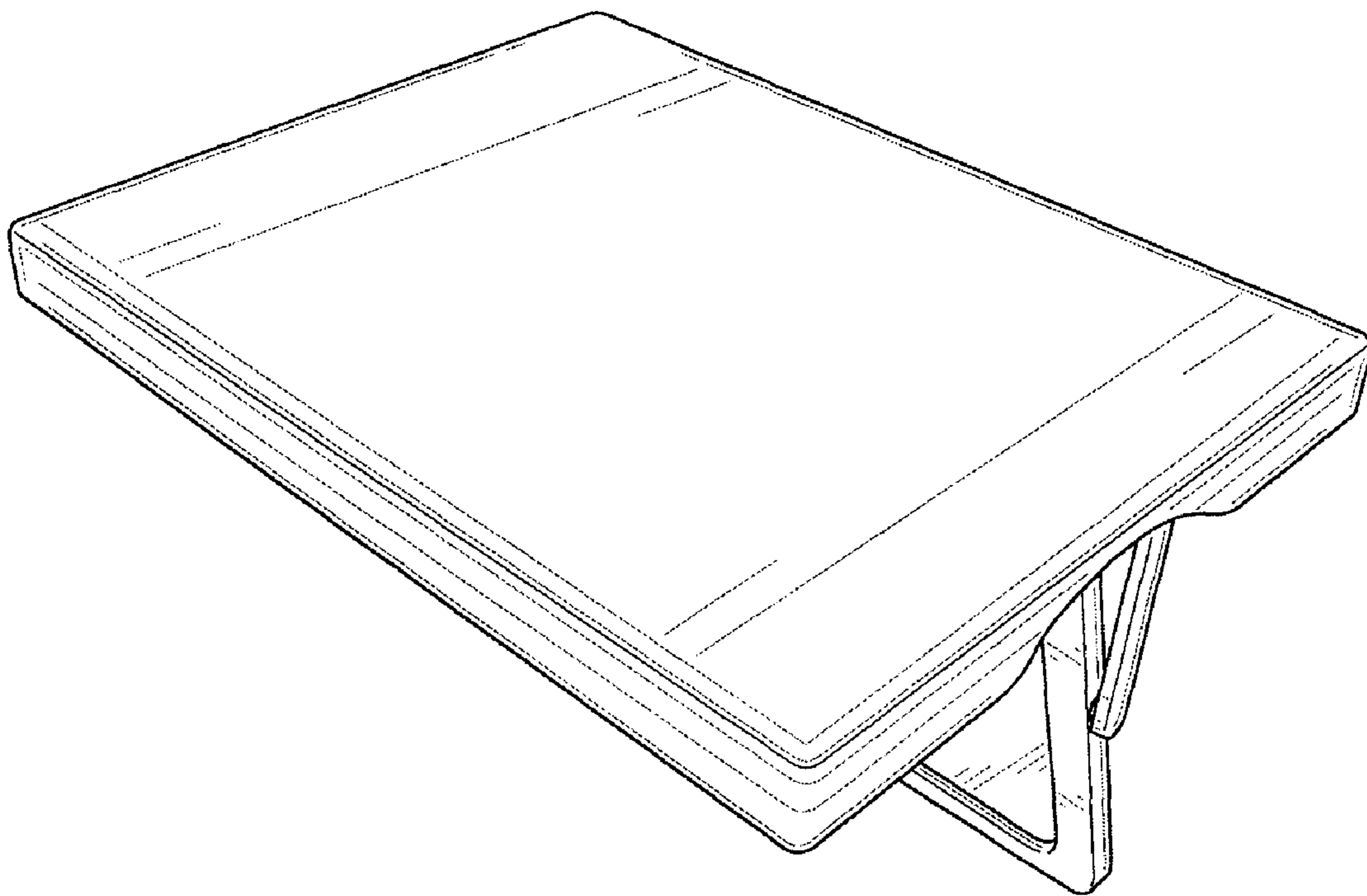


FIG. 16

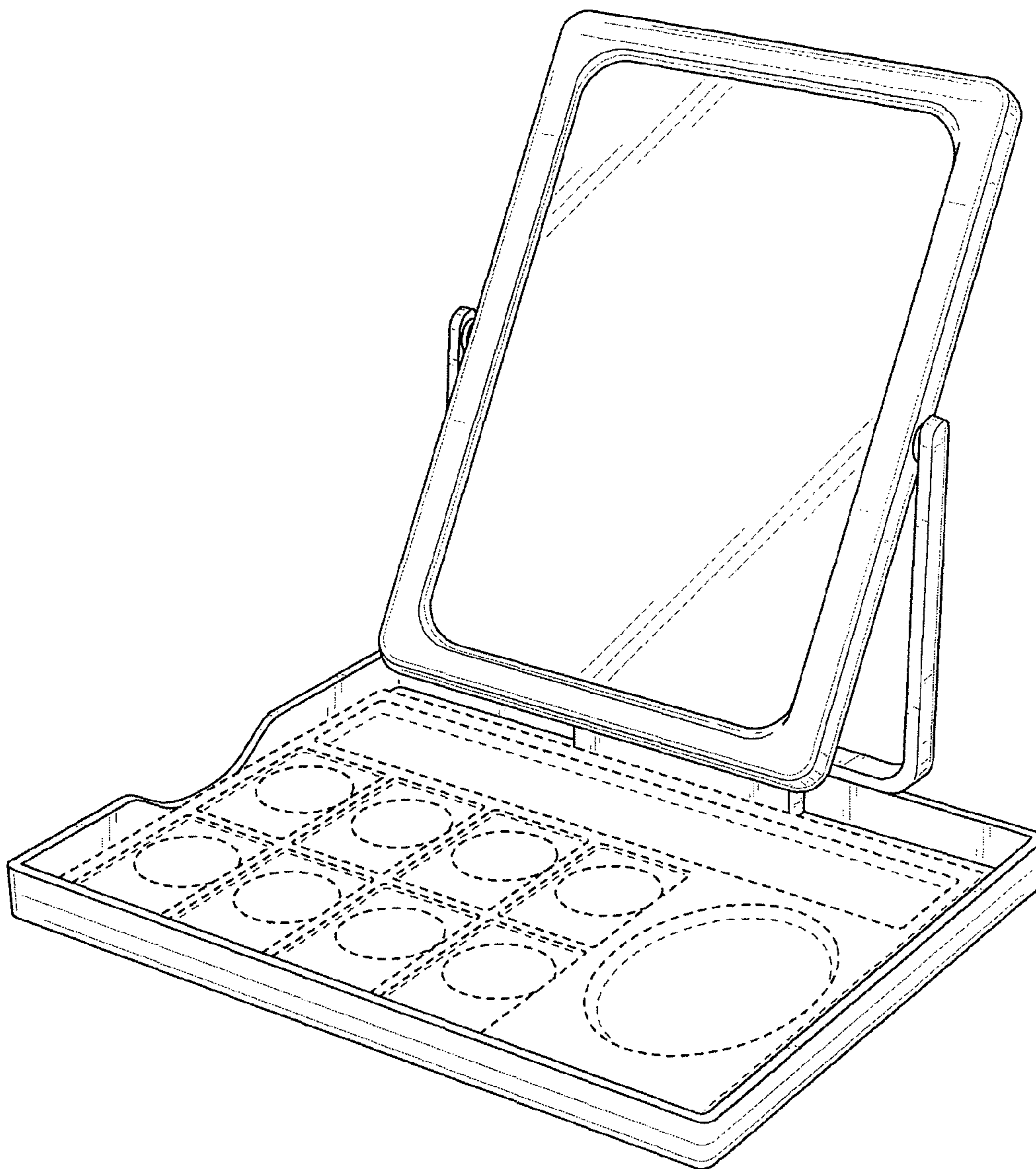


FIG. 17

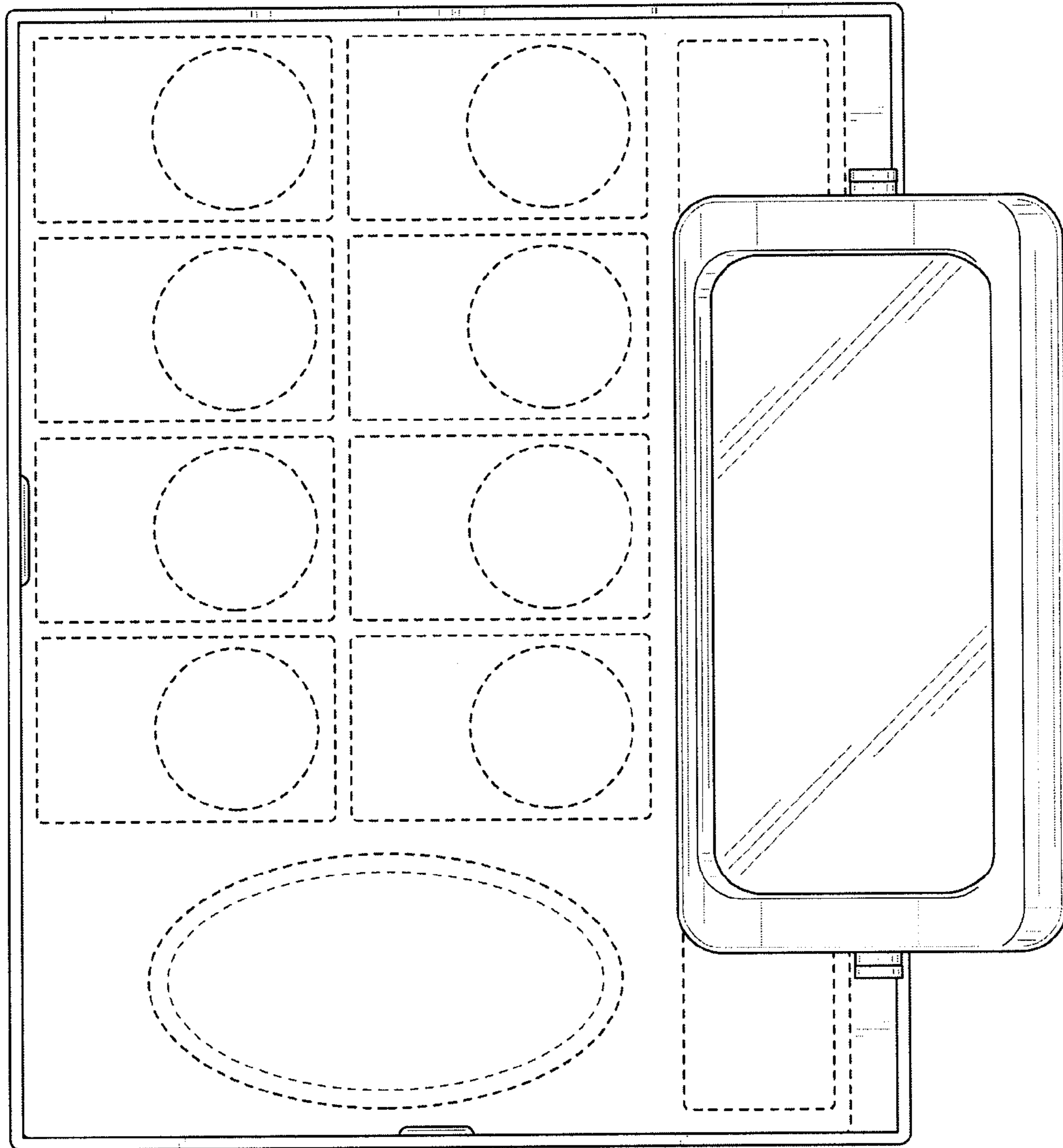


FIG. 18

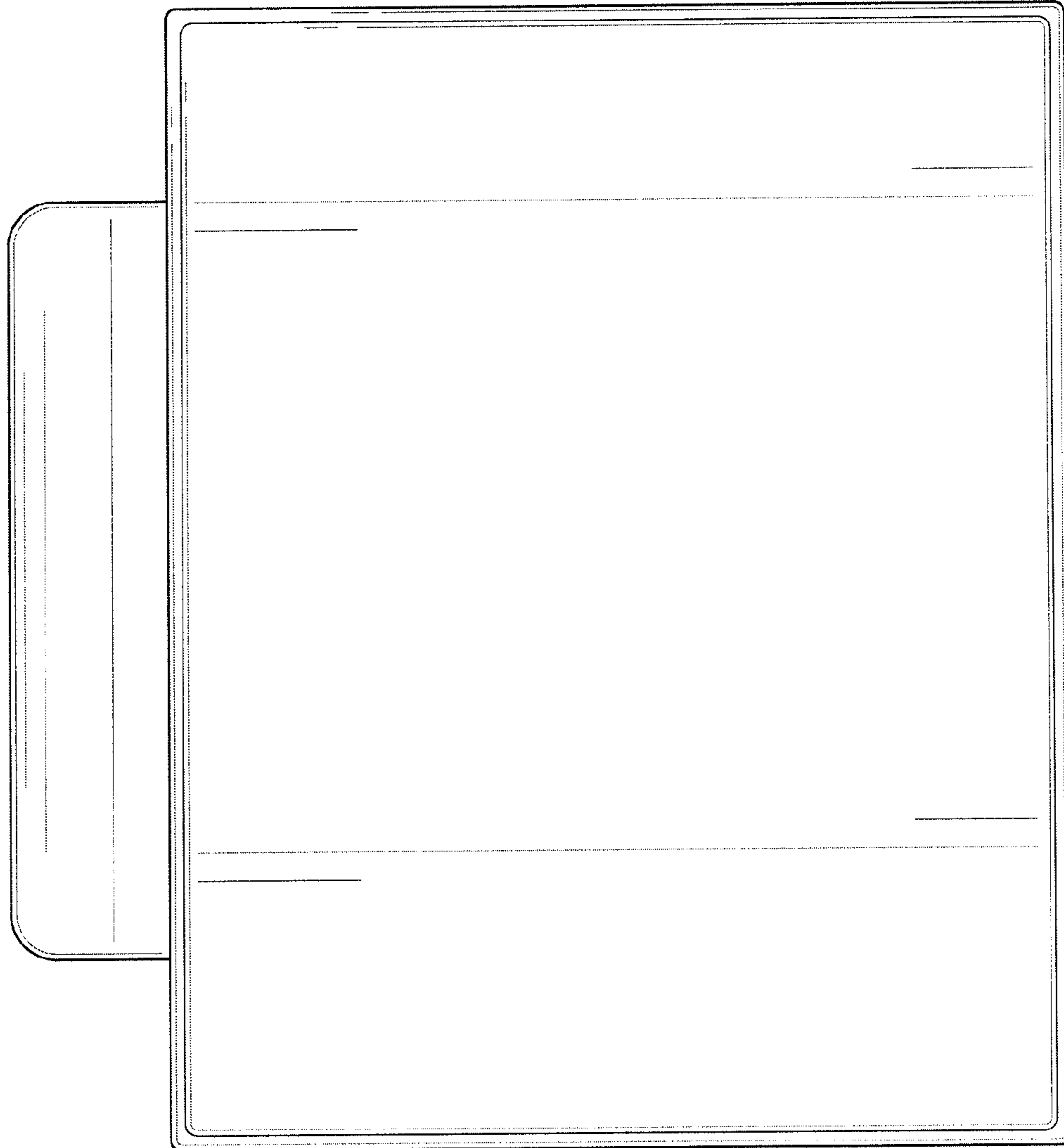


FIG. 19

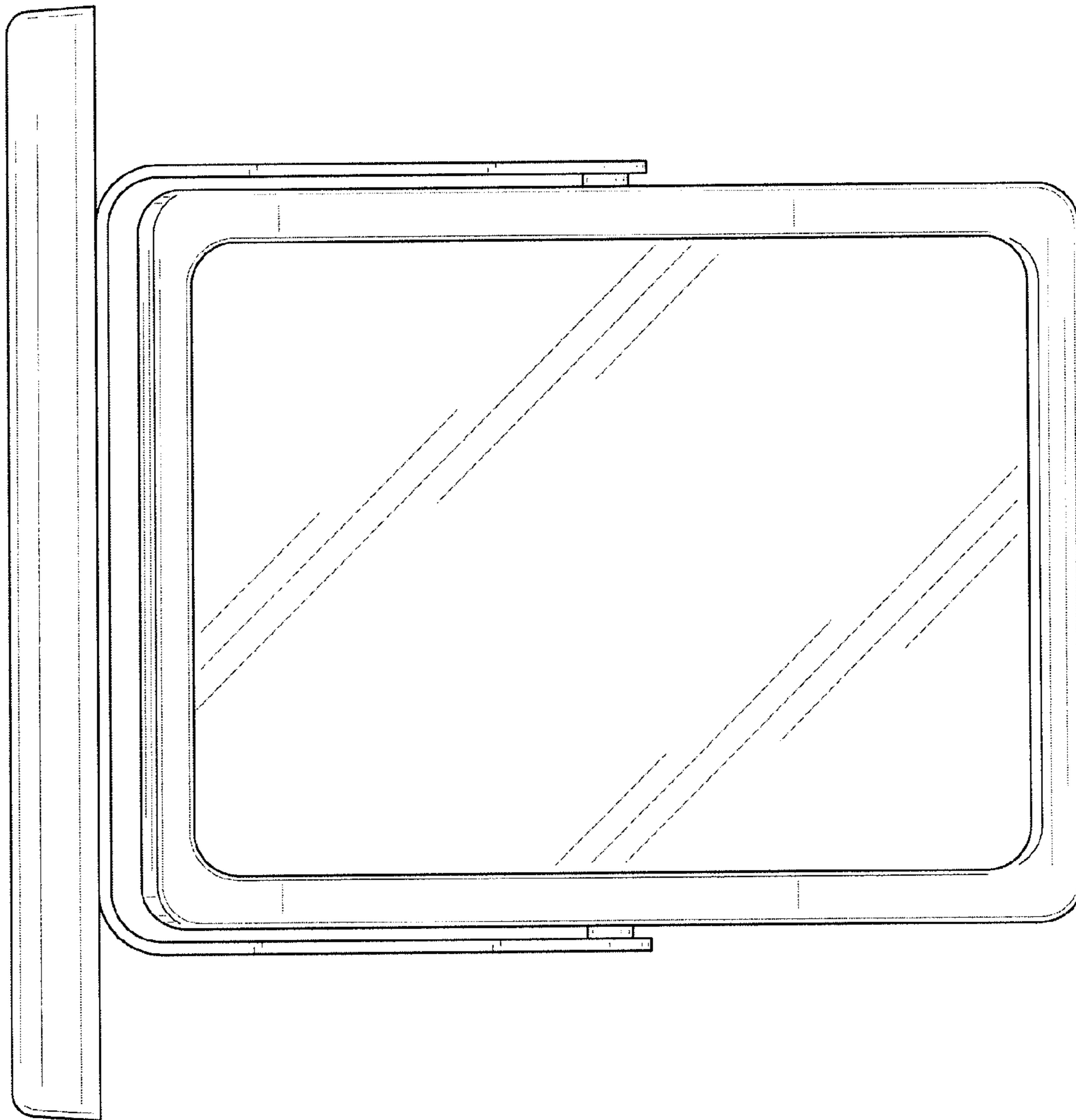


FIG. 20

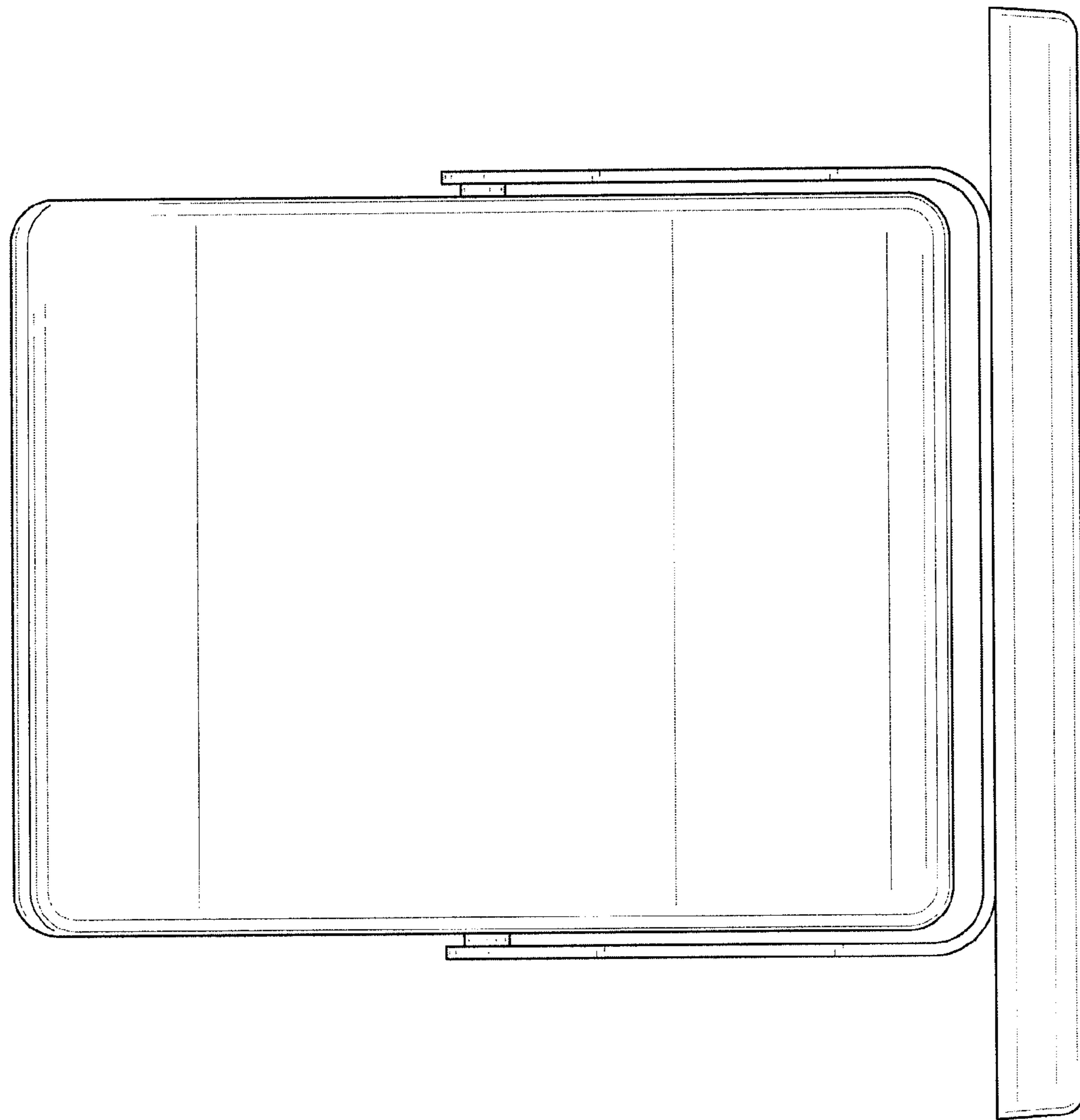


FIG. 21

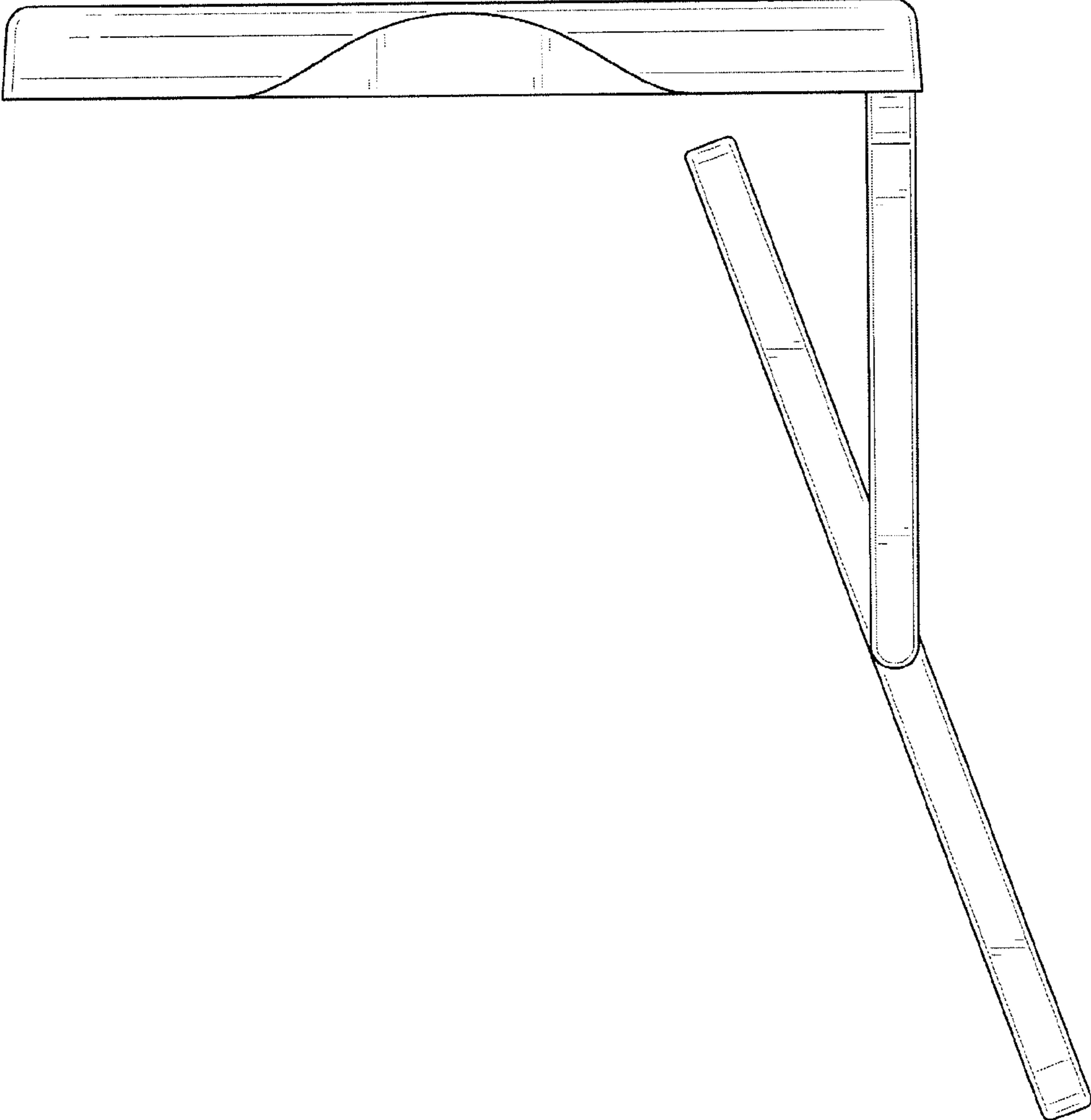


FIG. 22

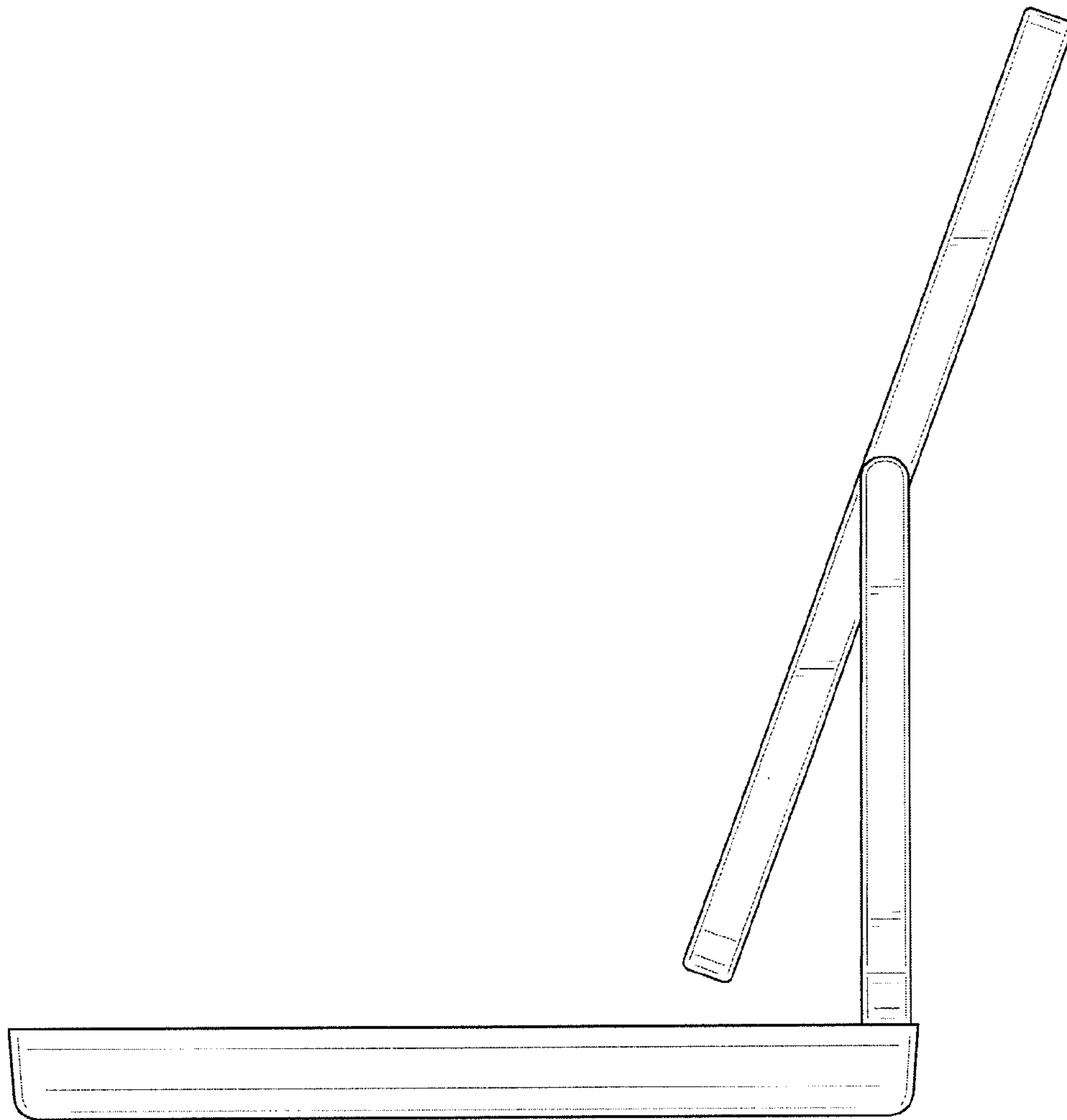


FIG. 23

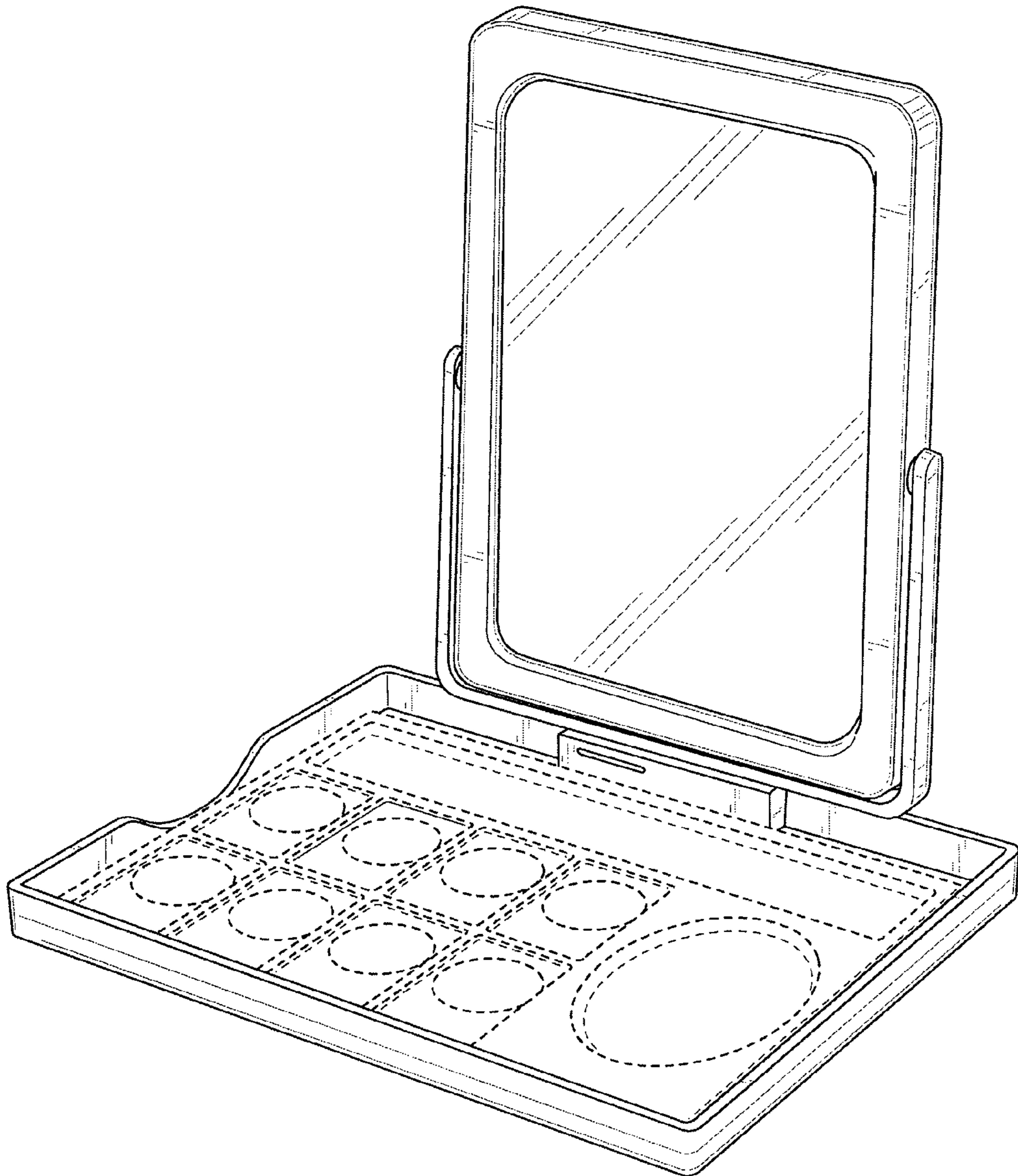


FIG. 24

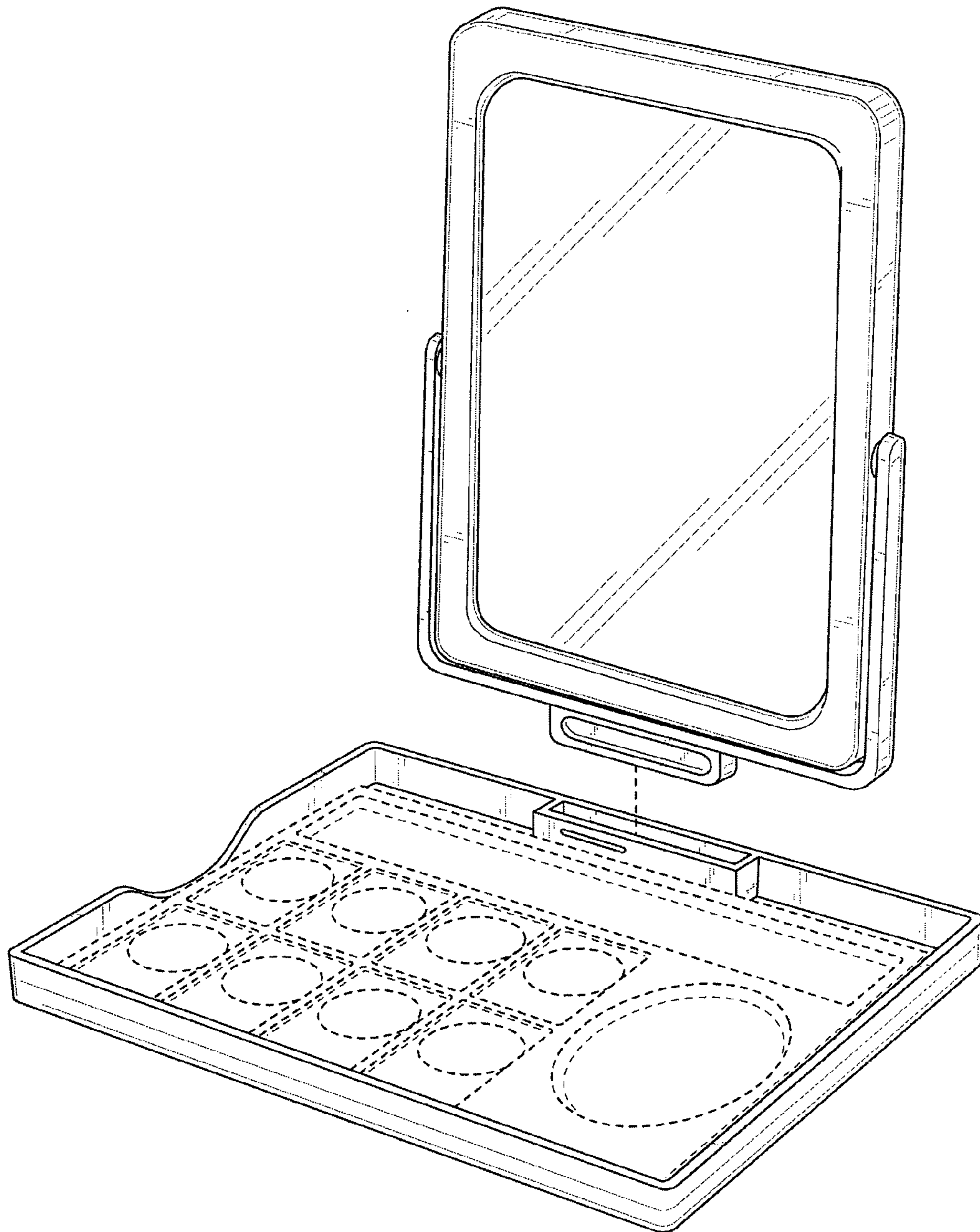


FIG. 25