



US00D651346S

(12) **United States Design Patent**
Snow et al.

(10) **Patent No.:** **US D651,346 S**

(45) **Date of Patent:** **** Dec. 27, 2011**

(54) **CLIP-ON HAIR TRIMMER GRIP ATTACHMENT**

(75) Inventors: **Gary Lee Snow**, Rock Falls, IL (US);
Bengie T. Phillips, Sterling, IL (US)

(73) Assignee: **Wahl Clipper Corporation**, Sterling, IL (US)

(**) Term: **14 Years**

(21) Appl. No.: **29/391,070**

(22) Filed: **May 3, 2011**

(51) **LOC (9) Cl.** **28-03**

(52) **U.S. Cl.** **D28/54**

(58) **Field of Classification Search** 30/32, 34.05,
30/34.1-34.2, 30-31, 43-43.92, 44-45, 47-51,
30/77-84, 526-541, 346.5-346.61, 194-196,
30/198-205, 208-216, 233-233.5, 295;
D28/44-44.1, 45-54

See application file for complete search history.

(56) **References Cited**

U.S. PATENT DOCUMENTS

D123,072 S * 10/1940 Bars et al. D28/73
D137,451 S * 3/1944 Harstad 30/295

3,465,802 A * 9/1969 Alea 30/295
D435,935 S * 1/2001 Nobile et al. D28/48
6,267,117 B1 * 7/2001 Bisson 30/295
D577,865 S * 9/2008 Long et al. D28/54

* cited by examiner

Primary Examiner — Jennifer Rivard

(74) *Attorney, Agent, or Firm* — Greer, Burns & Crain, Ltd.

(57) **CLAIM**

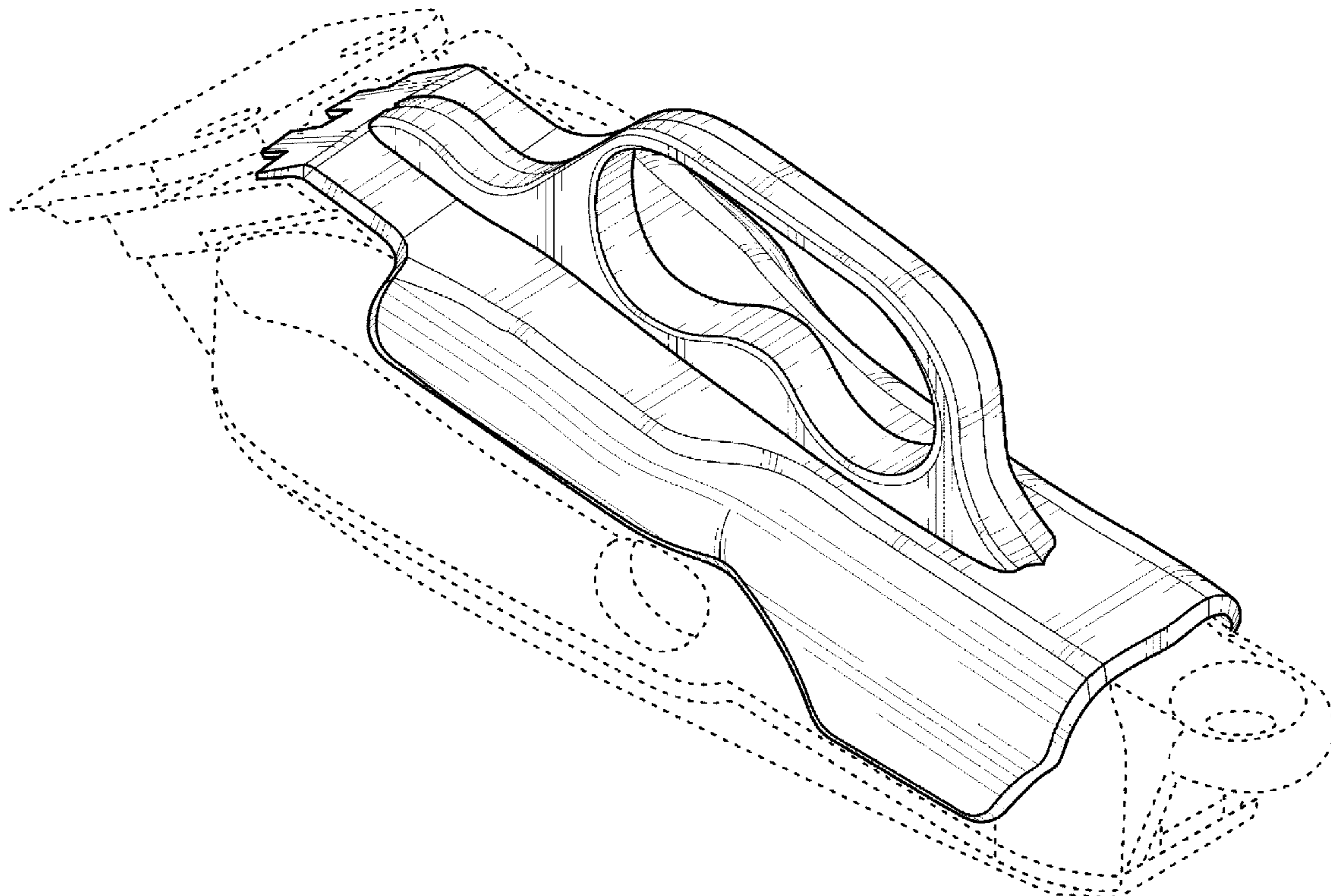
The ornamental design for a clip-on hair trimmer grip attachment, as shown and described.

DESCRIPTION

FIG. 1 is a top perspective view of the present clip-on hair trimmer grip attachment;
FIG. 2 is a right side view of same;
FIG. 3 is a left side view of the clip-on hair trimmer grip attachment of FIG. 1;
FIG. 4 is a front view of same;
FIG. 5 is a rear view of the clip-on hair trimmer grip attachment of FIG. 1; and,
FIG. 6 is a top view of same.

The structure shown in broken lines is for environment purposes only and does not form part of the claimed invention.

1 Claim, 5 Drawing Sheets



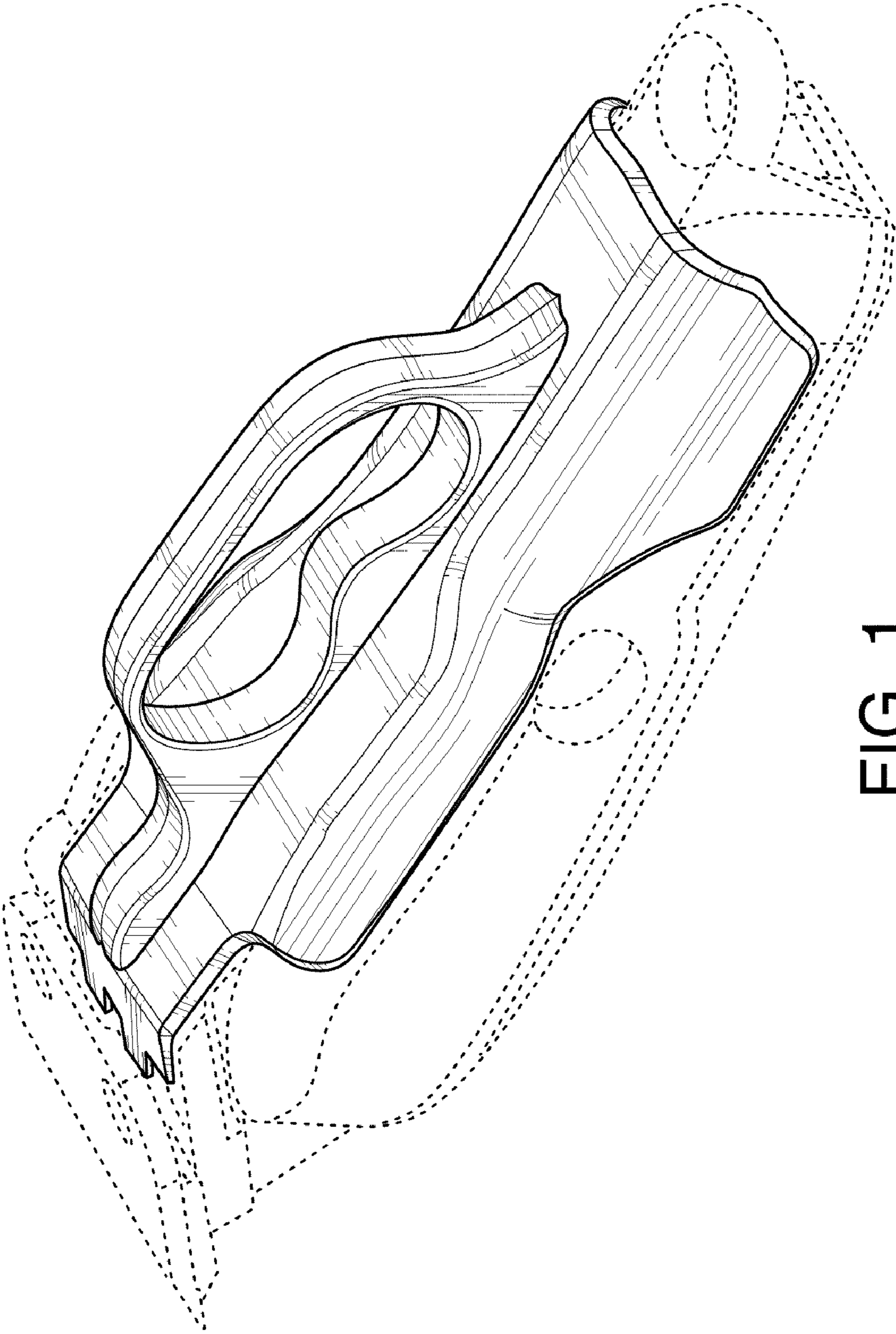


FIG. 1

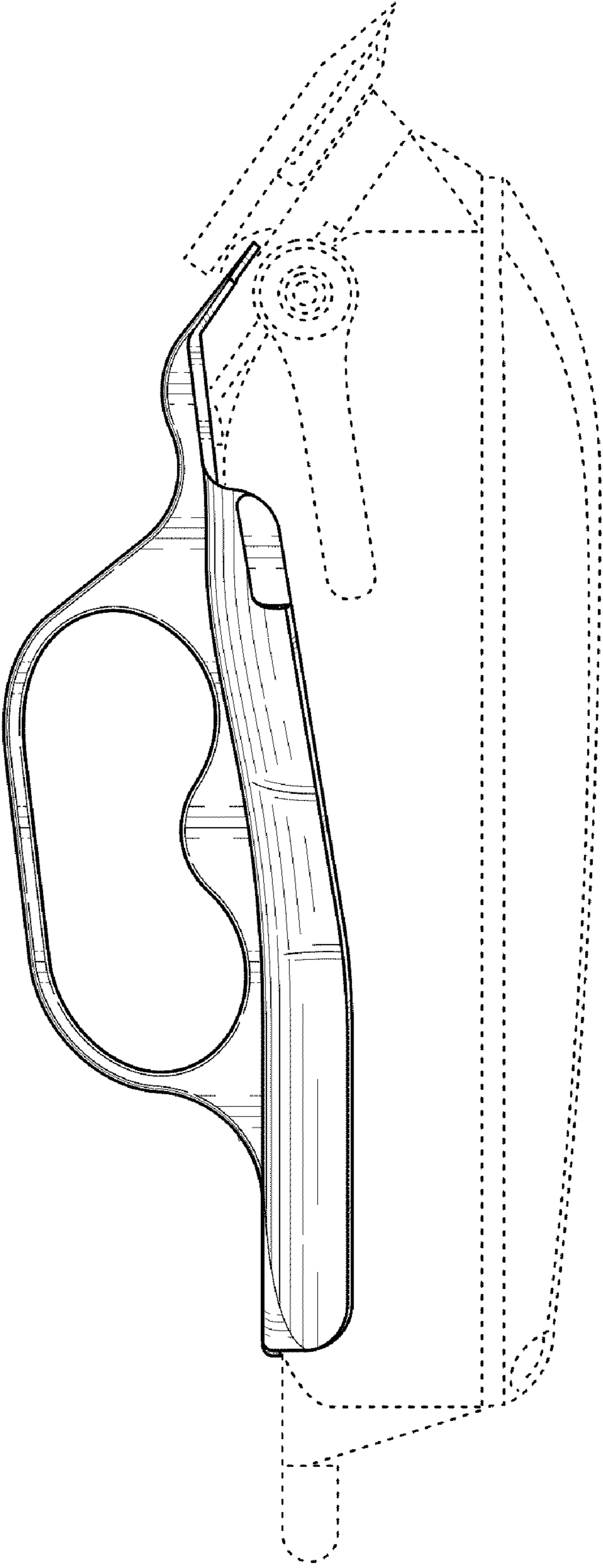


FIG. 2

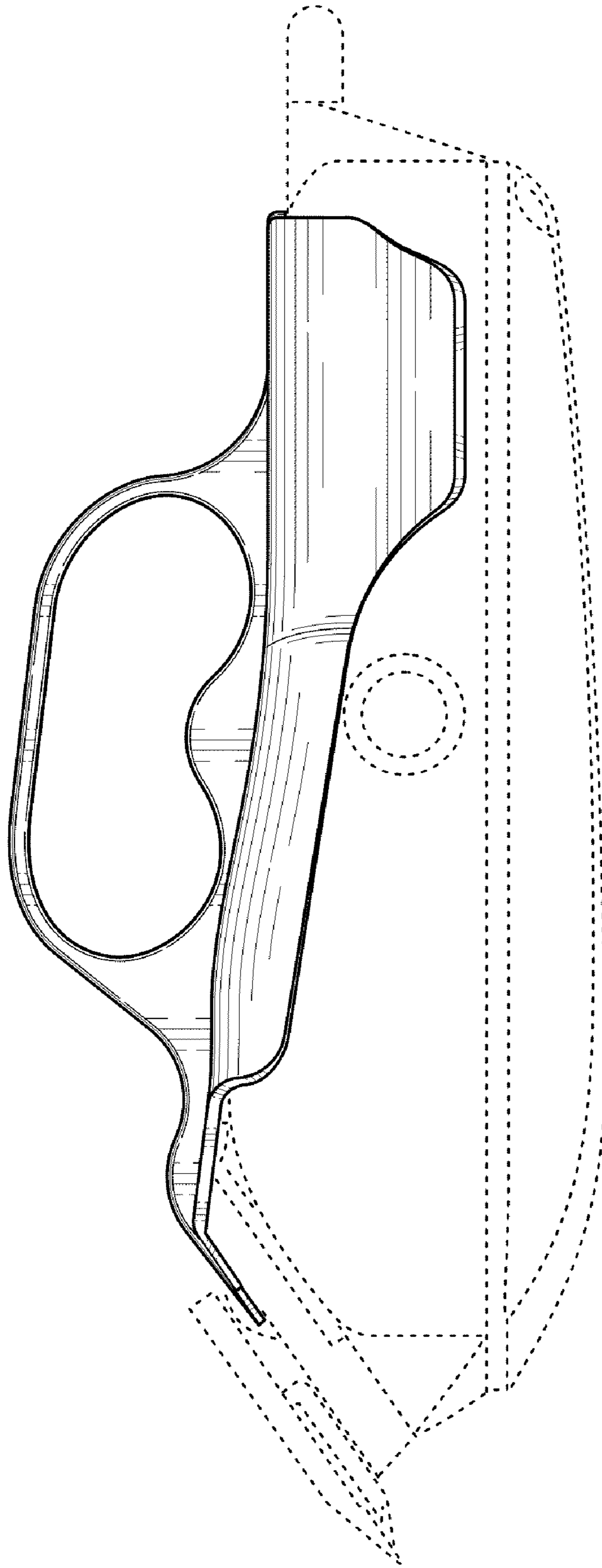


FIG. 3

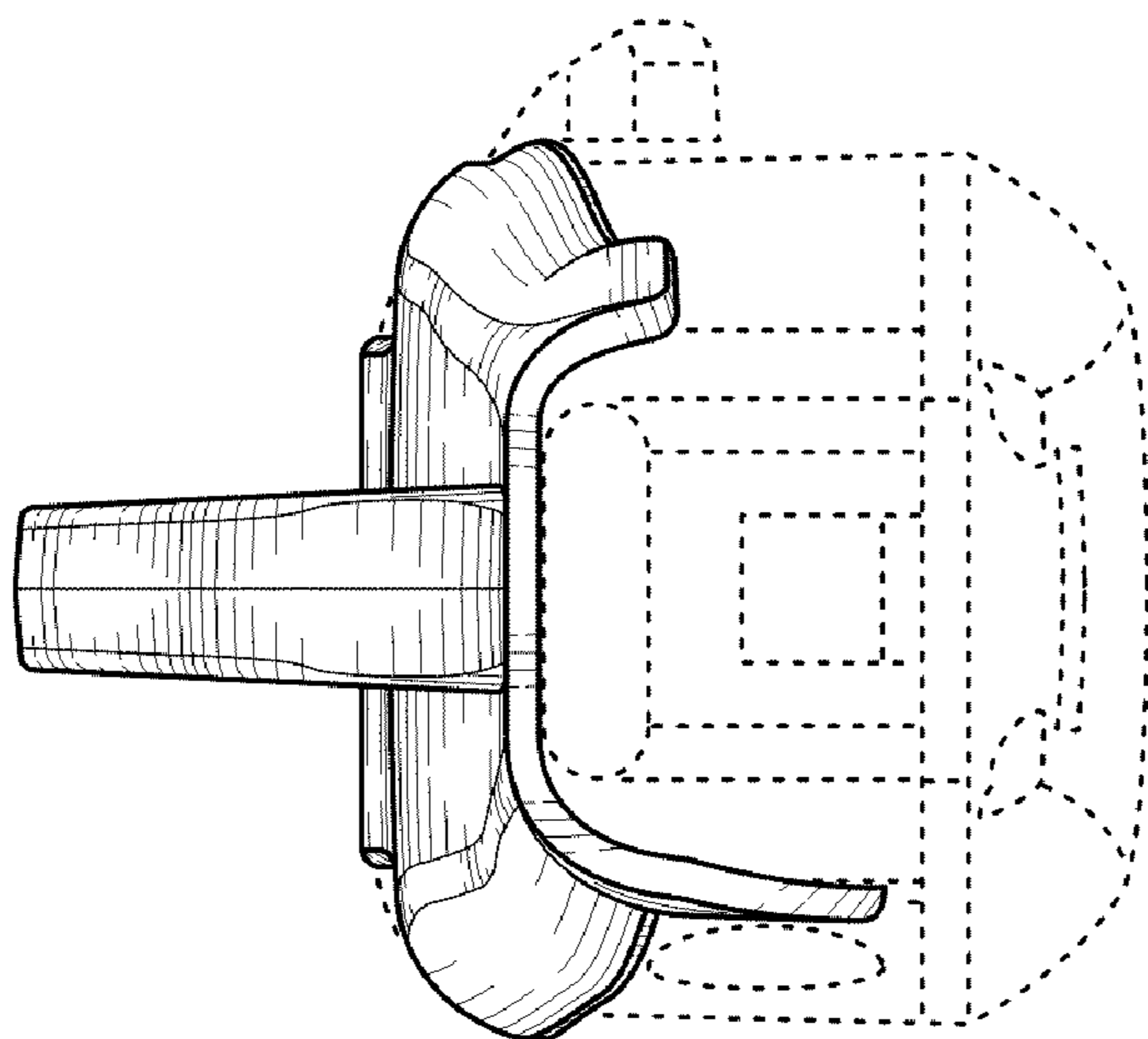


FIG. 5

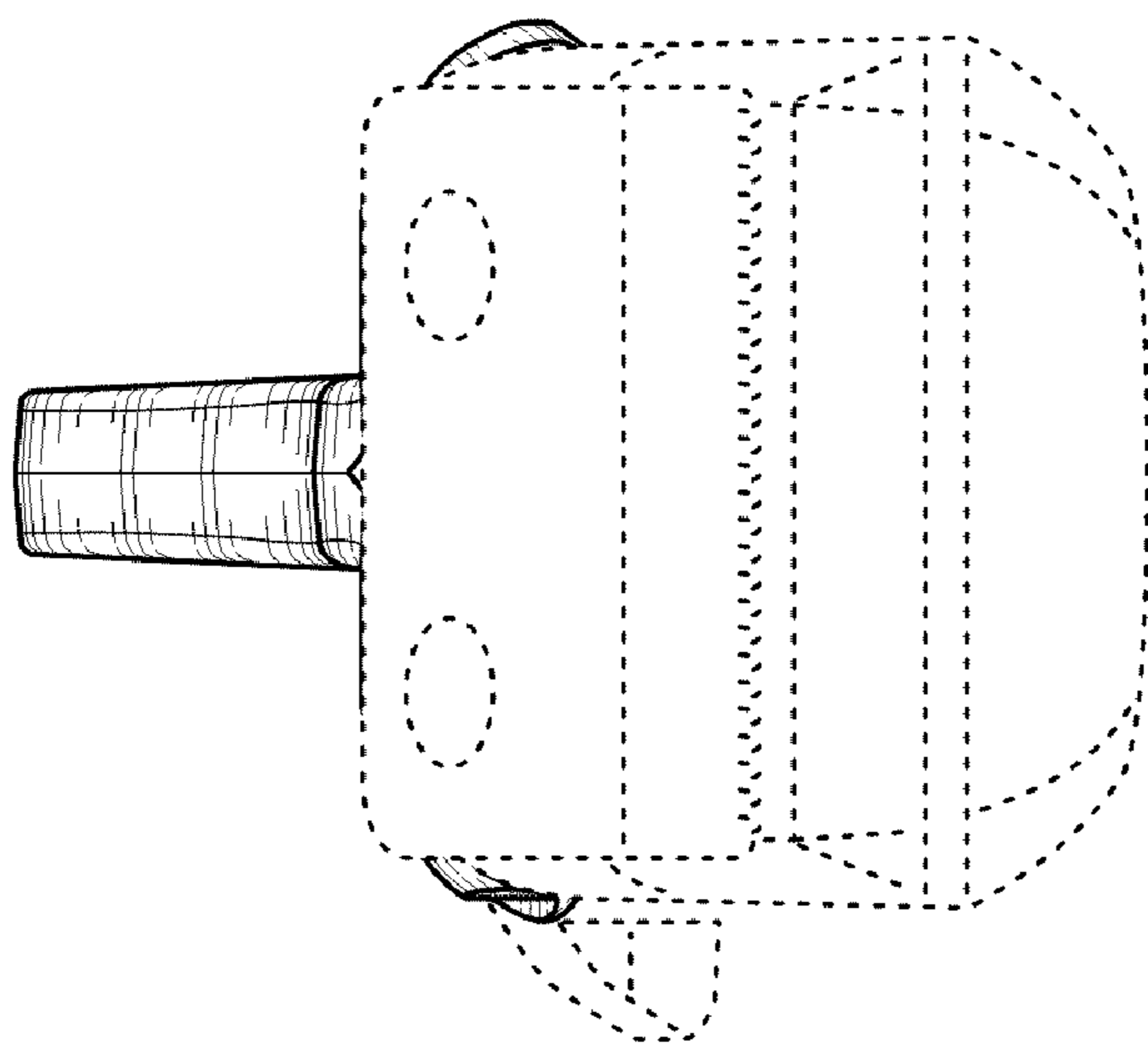


FIG. 4

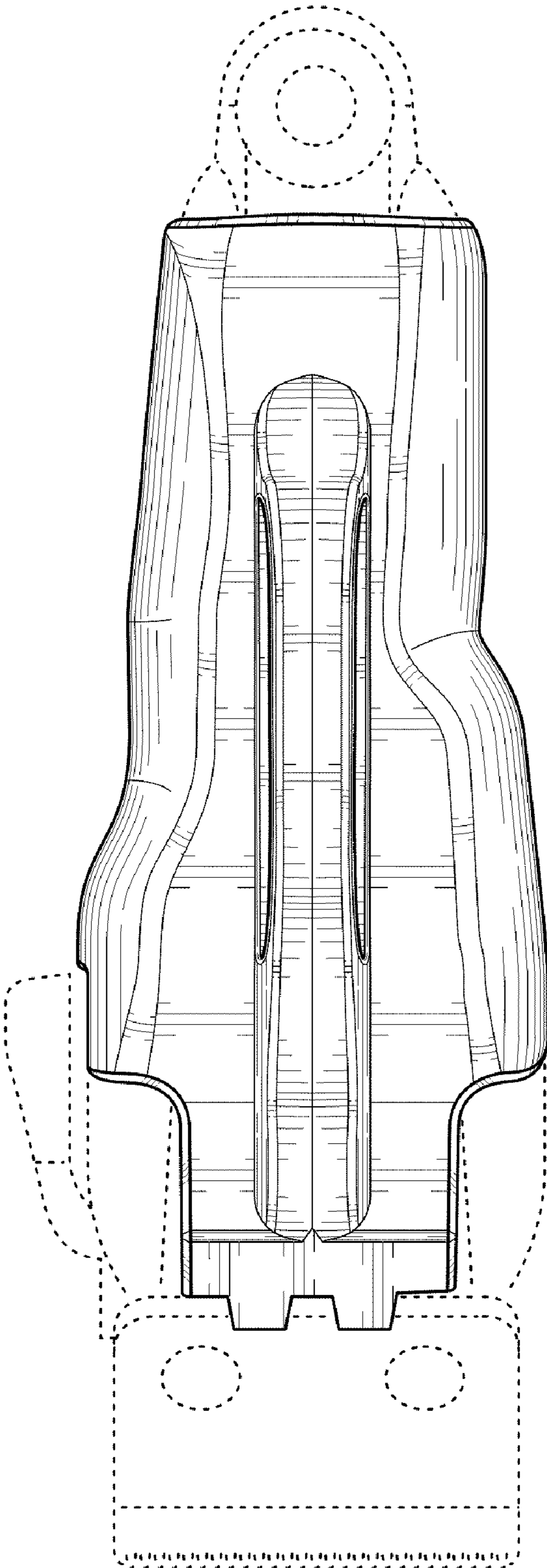


FIG. 6