



US00D651344S

(12) **United States Design Patent**  
**Cataudella et al.**

(10) **Patent No.:** **US D651,344 S**

(45) **Date of Patent:** **\*\* Dec. 27, 2011**

(54) **PROTECTIVE OVERCAP FOR A SHAVING RAZOR**

(75) Inventors: **Matthew Corey Cataudella**, Boston, MA (US); **Andrew Anthony Szczepanowski**, North Attleboro, MA (US); **Kiyoshi Yokote**, Kashiwa (JP); **Junichi Yoshitomi**, Matsudo (JP)

(73) Assignee: **The Gillette Company**, Boston, MA (US)

(\*\*) Term: **14 Years**

(21) Appl. No.: **29/383,529**

(22) Filed: **Jan. 19, 2011**

(51) **LOC (9) Cl.** ..... **28-03**

(52) **U.S. Cl.** ..... **D28/47**

(58) **Field of Classification Search** ..... 30/32, 32.05, 30/34.1-34.2, 41, 44-46, 47-51, 57-58, 30/77-84, 526-539, 346.5-346.56, 346.61; D28/44-48

See application file for complete search history.

(56) **References Cited**

U.S. PATENT DOCUMENTS

D306,216 S *	2/1990	Gray	.....	D28/45
D345,233 S	3/1994	Gray		
D407,531 S	3/1999	Lee		
D440,012 S	4/2001	Lee		
D487,822 S	3/2004	Lee		
D490,569 S	5/2004	Prochaska		
D616,149 S	5/2010	Wonderley		

\* cited by examiner

*Primary Examiner* — Jennifer Rivard

(74) *Attorney, Agent, or Firm* — John M. Lipchitz; Kevin C. Johnson; Steven C. Miller

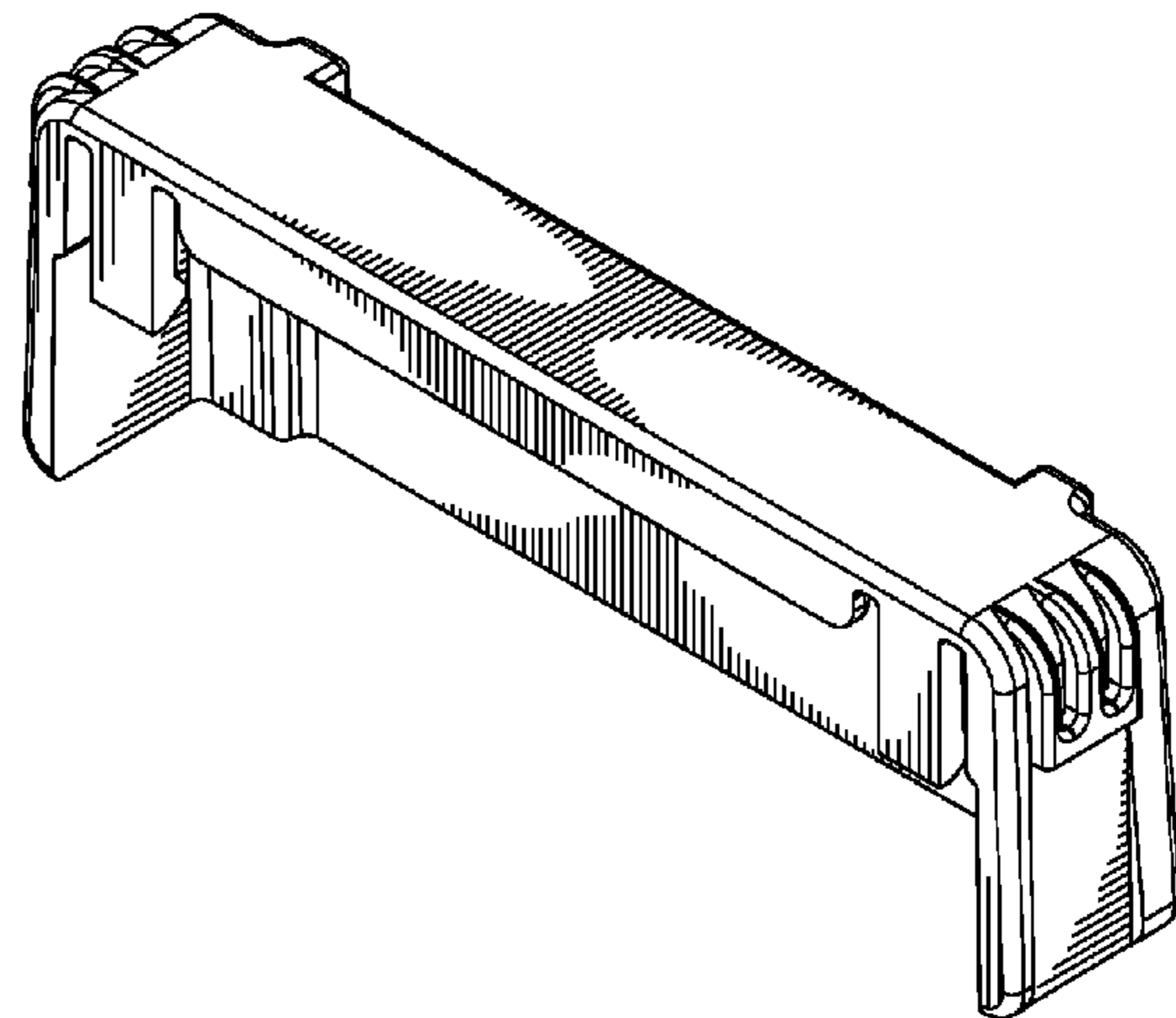
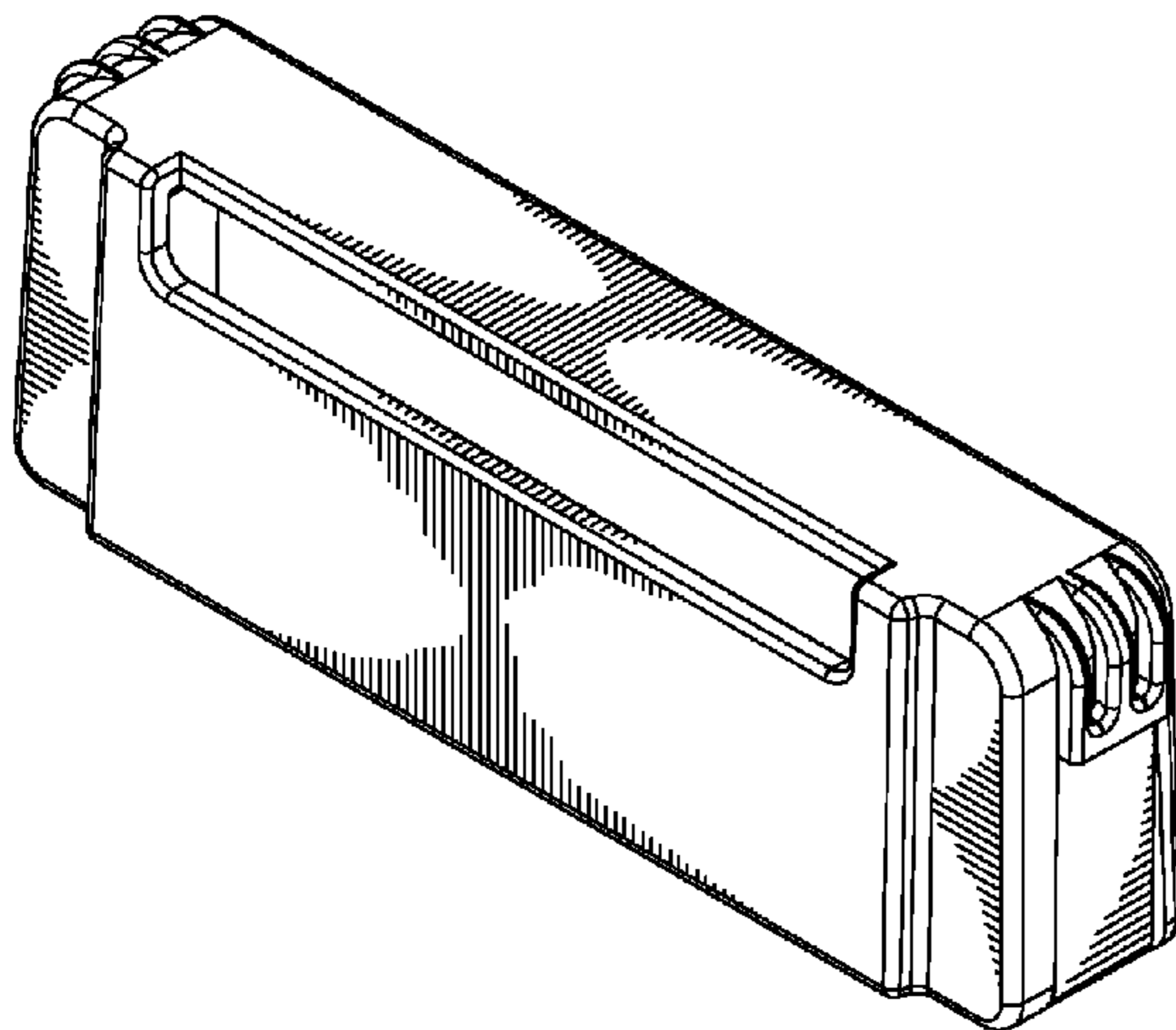
(57) **CLAIM**

The ornamental design for a protective overcap for a shaving razor, as shown and described.

**DESCRIPTION**

FIG. 1 is a perspective view of a protective overcap for a shaving razor of the present invention; FIG. 2 is a front view thereof; FIG. 3 is a rear view thereof; FIG. 4 is a right view thereof; FIG. 5 is a left view thereof; FIG. 6 is a top view thereof; FIG. 7 is a bottom view thereof; and, FIG. 8 is a rear perspective view thereof.

**1 Claim, 4 Drawing Sheets**



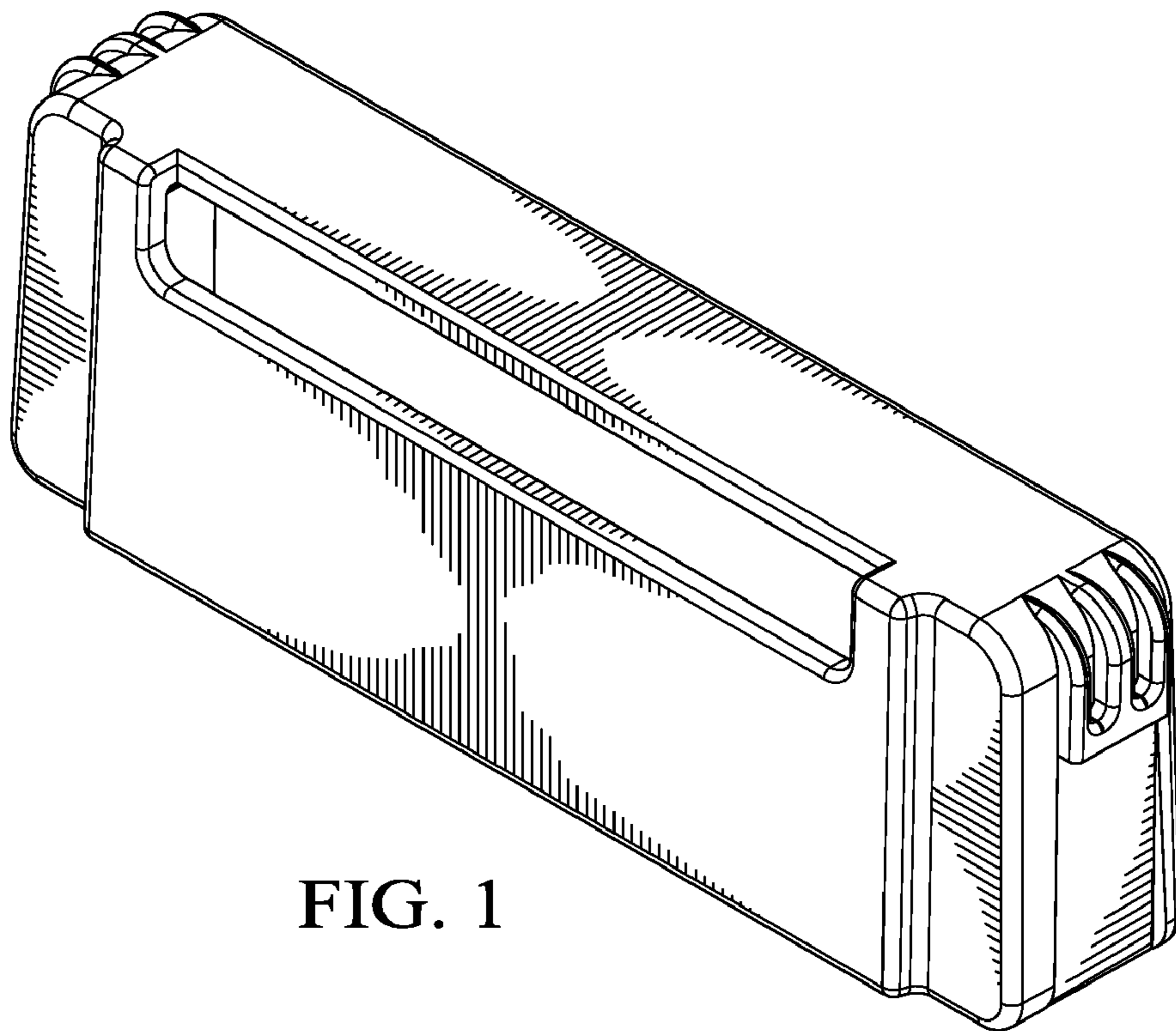


FIG. 1

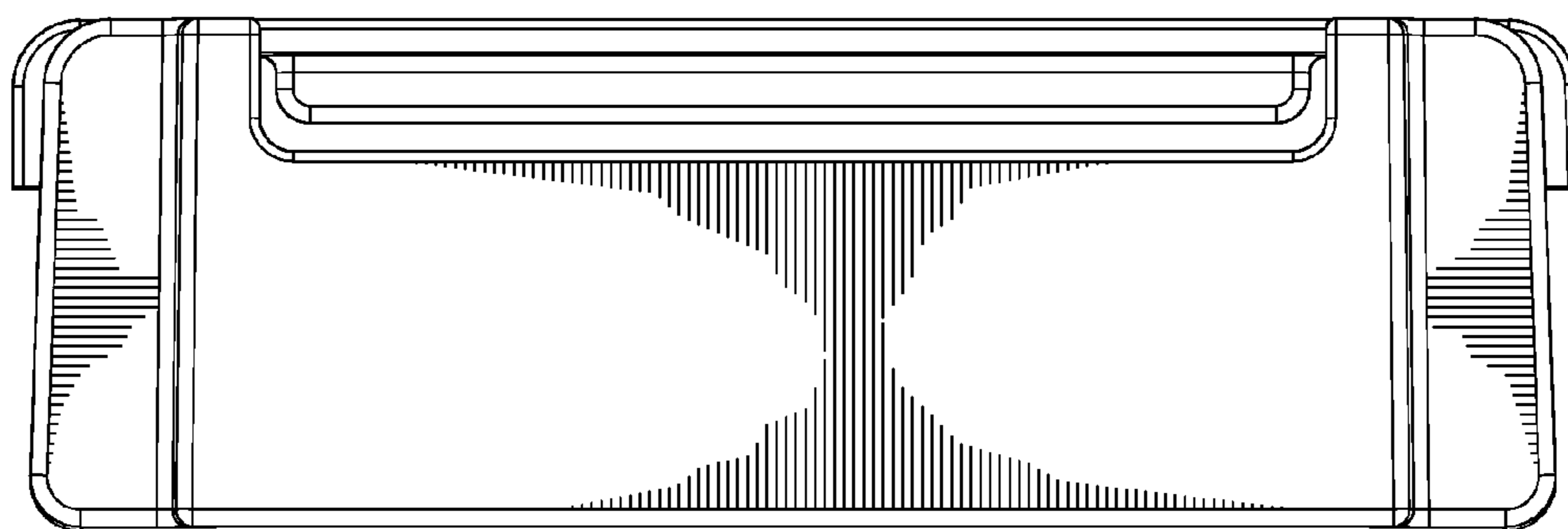


FIG. 2

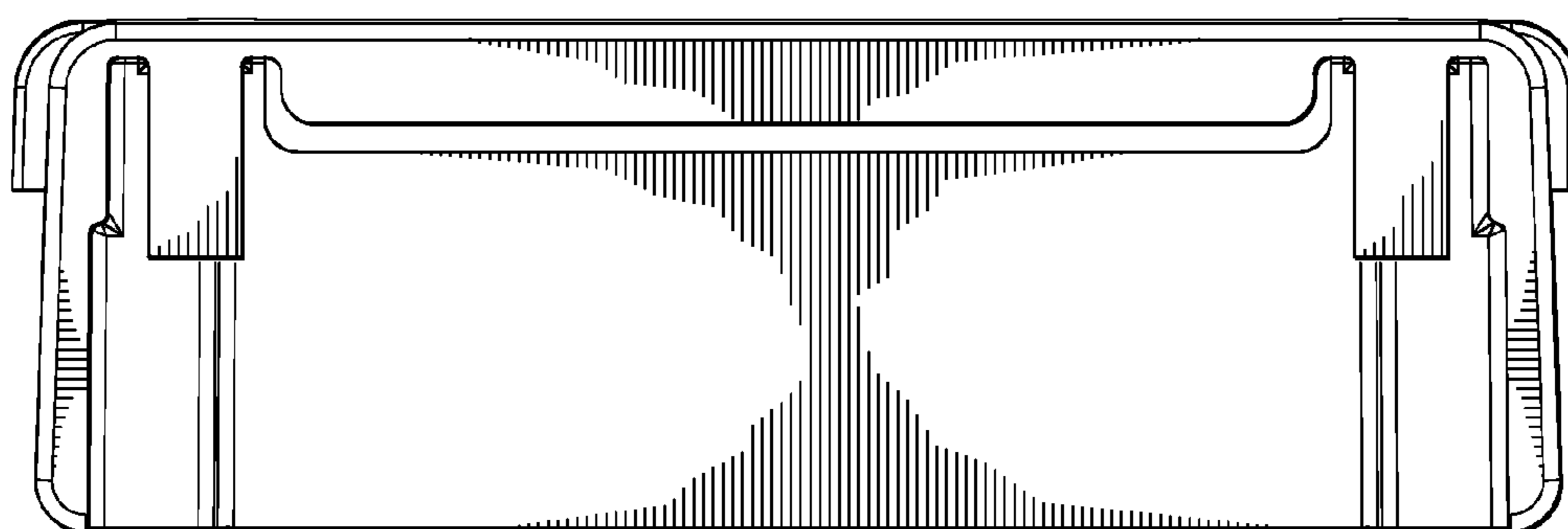


FIG. 3

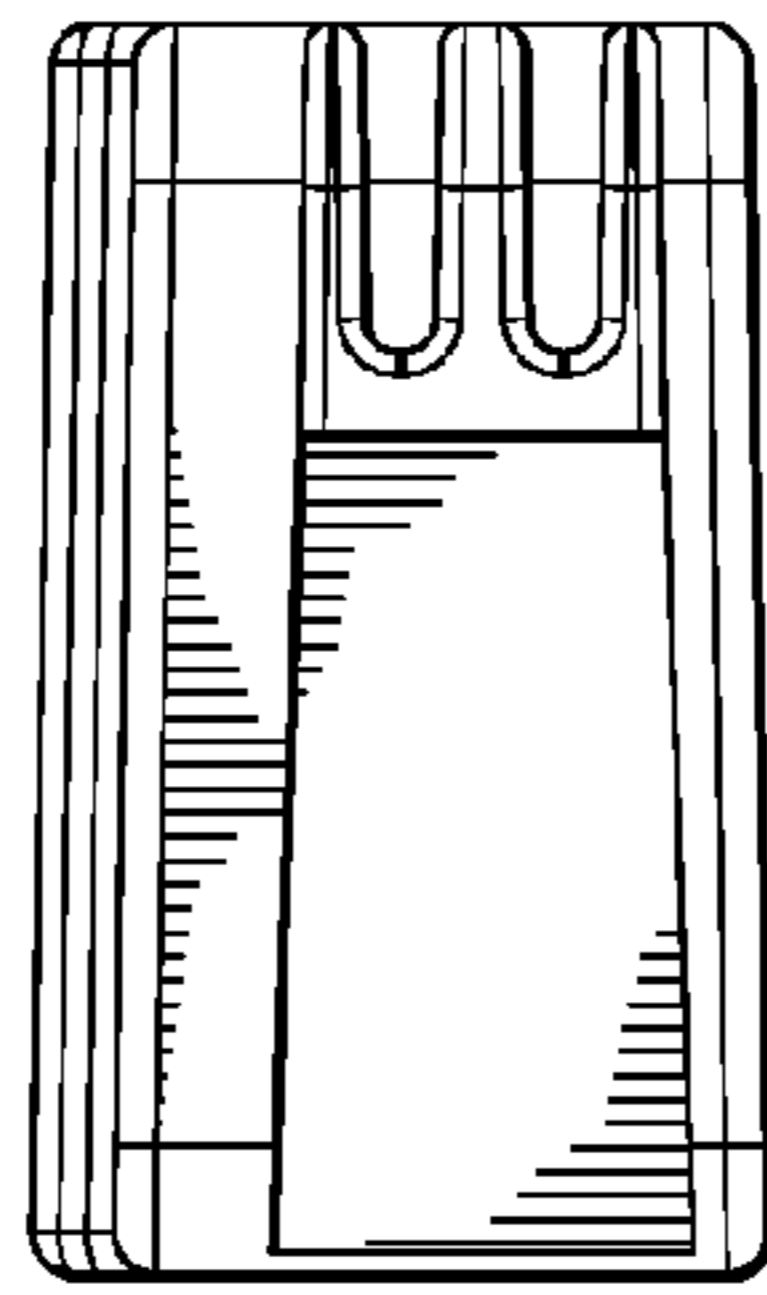


FIG. 4

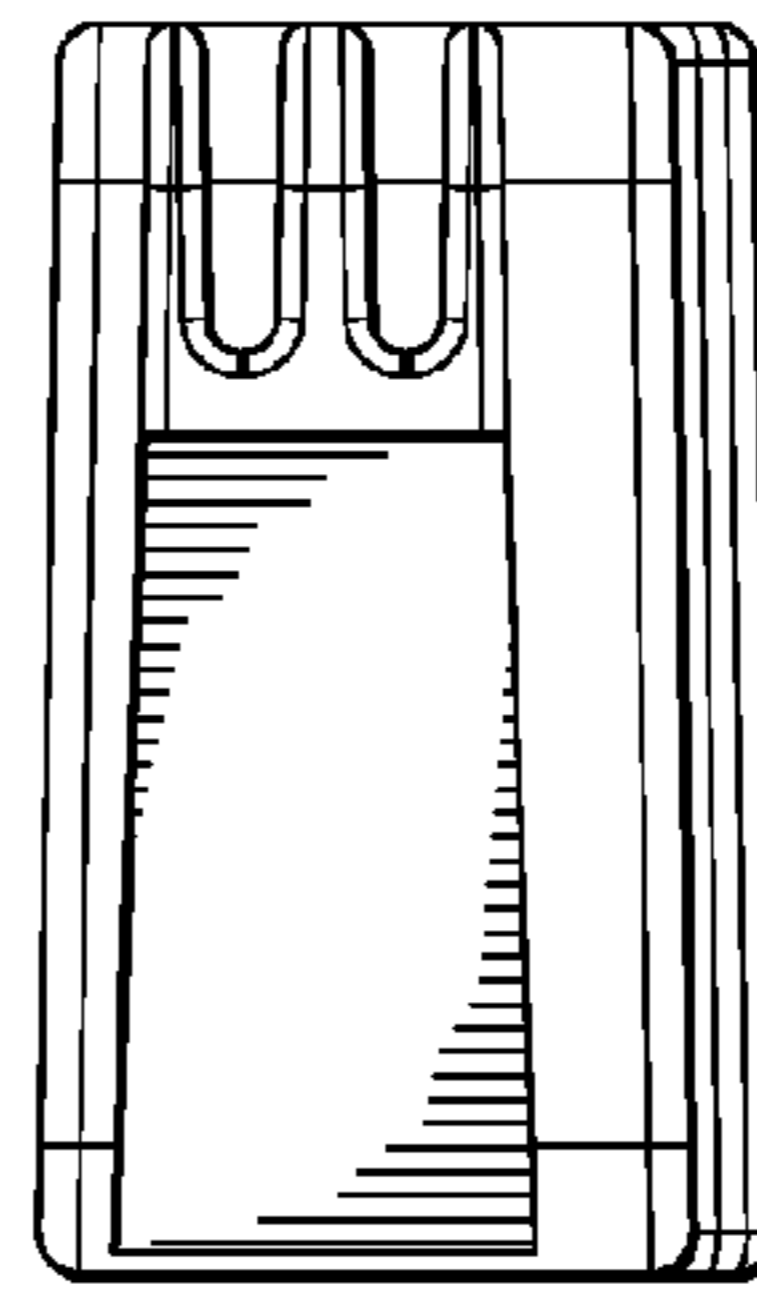


FIG. 5

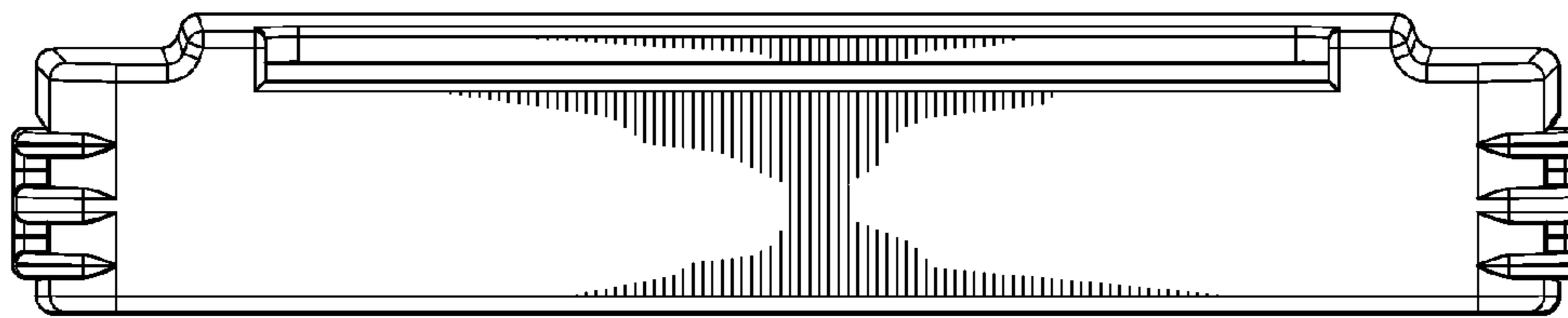


FIG. 6

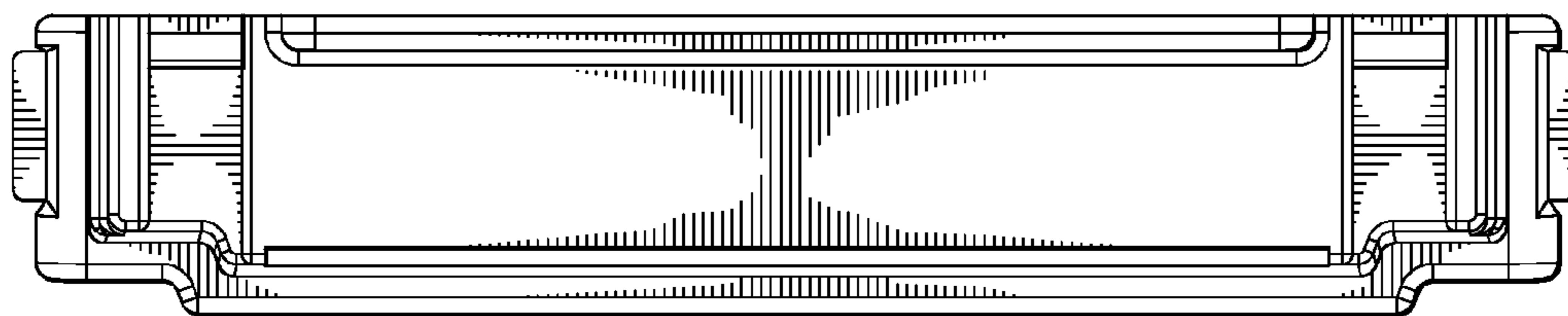


FIG. 7

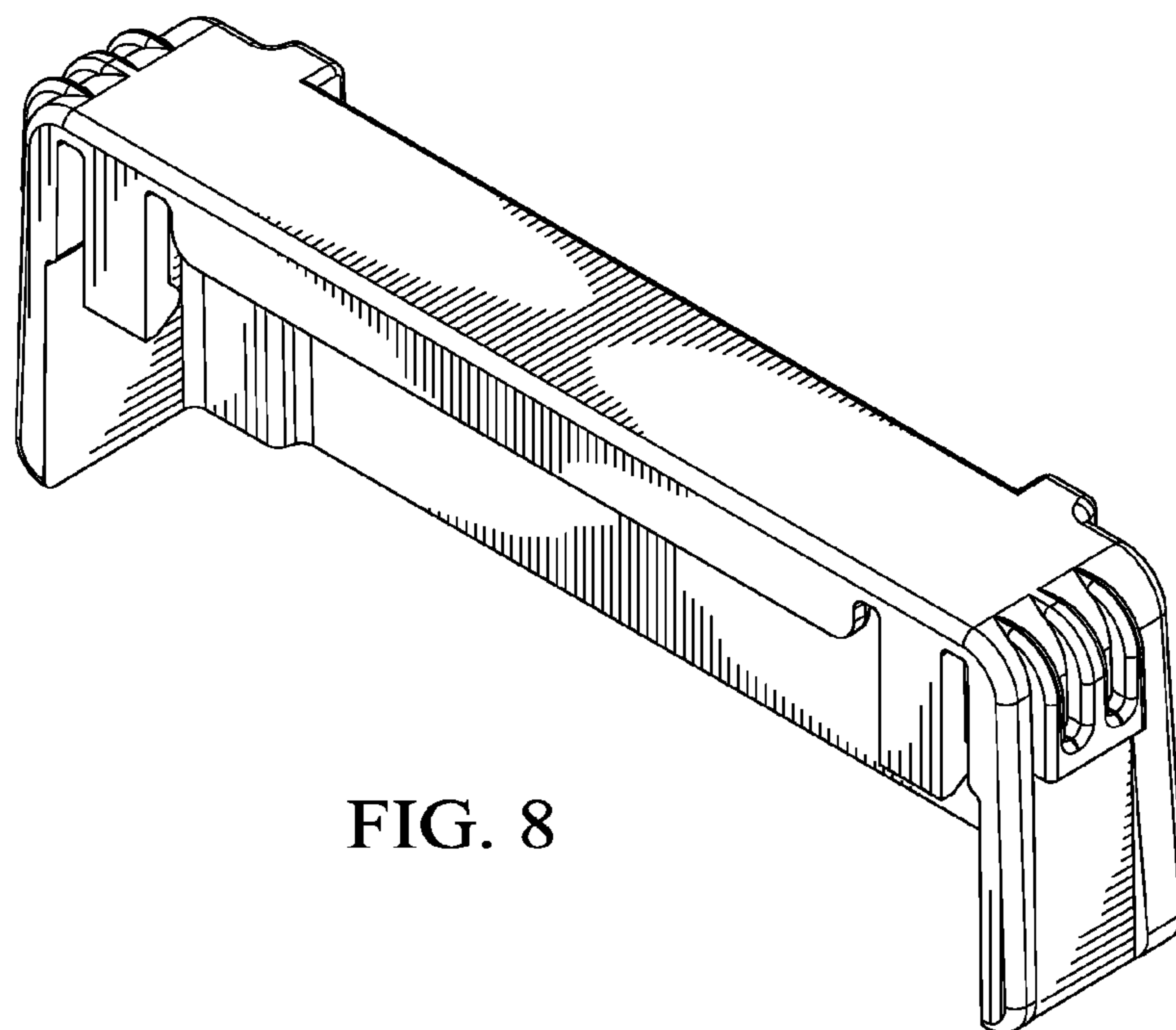


FIG. 8