



US00D651342S

(12) **United States Design Patent**  
**Kim**

(10) **Patent No.:** **US D651,342 S**

(45) **Date of Patent:** **\*\* Dec. 27, 2011**

(54) **HAIR DRYER**

(75) Inventor: **Du Hoe Kim**, Siheung-si (KR)

(73) Assignee: **JMW Co., Ltd.**, Bucheon-si (KR)

(\*\*) Term: **14 Years**

(21) Appl. No.: **29/379,955**

(22) Filed: **Nov. 29, 2010**

(30) **Foreign Application Priority Data**

Oct. 12, 2010 (KR) ..... 30-2010-0044234

(51) **LOC (9) Cl.** ..... **28-03**

(52) **U.S. Cl.** ..... **D28/13**

(58) **Field of Classification Search** ..... D28/12-19;  
34/96-101; 392/380-385; 219/222  
See application file for complete search history.

(56) **References Cited**

**U.S. PATENT DOCUMENTS**

D422,114 S	*	3/2000	Gudfin	.....	D28/13
D428,528 S	*	7/2000	Deguines	.....	D28/13
D580,594 S	*	11/2008	Leung	.....	D28/13
D581,590 S	*	11/2008	Leung	.....	D28/13

D600,405 S	*	9/2009	Soresina et al.	.....	D28/13
D603,094 S	*	10/2009	Piard	.....	D28/13
D604,900 S	*	11/2009	Yang	.....	D28/13
D606,248 S	*	12/2009	Leung	.....	D28/13
D606,249 S	*	12/2009	Leung	.....	D28/13
D617,047 S	*	6/2010	Kim	.....	D28/13
D617,048 S	*	6/2010	Kim	.....	D28/13
D629,967 S	*	12/2010	Mayo et al.	.....	D28/13

\* cited by examiner

*Primary Examiner* — Zenia Bennett

(74) *Attorney, Agent, or Firm* — LRK Patent Law Firm

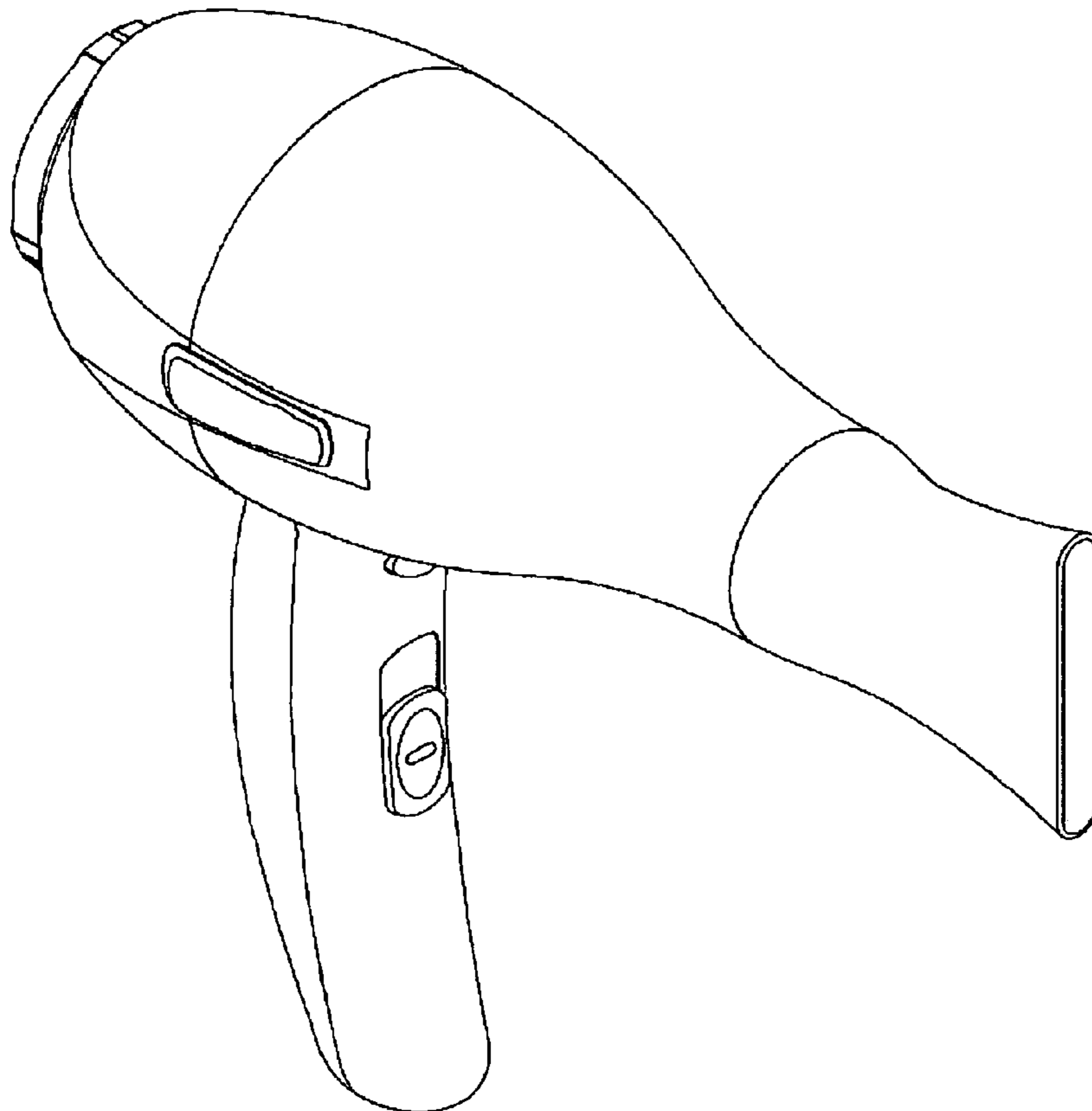
(57) **CLAIM**

The ornamental design for a hair dryer, as shown and described.

**DESCRIPTION**

FIG. 1 is a perspective view of the hair dryer of my new design;  
FIG. 2 is a front elevational view thereof;  
FIG. 3 is a rear elevational view thereof;  
FIG. 4 is a left side elevational view thereof;  
FIG. 5 is a right side elevational view thereof;  
FIG. 6 is a top plan view thereof; and,  
FIG. 7 is a bottom plan view thereof.

**1 Claim, 7 Drawing Sheets**



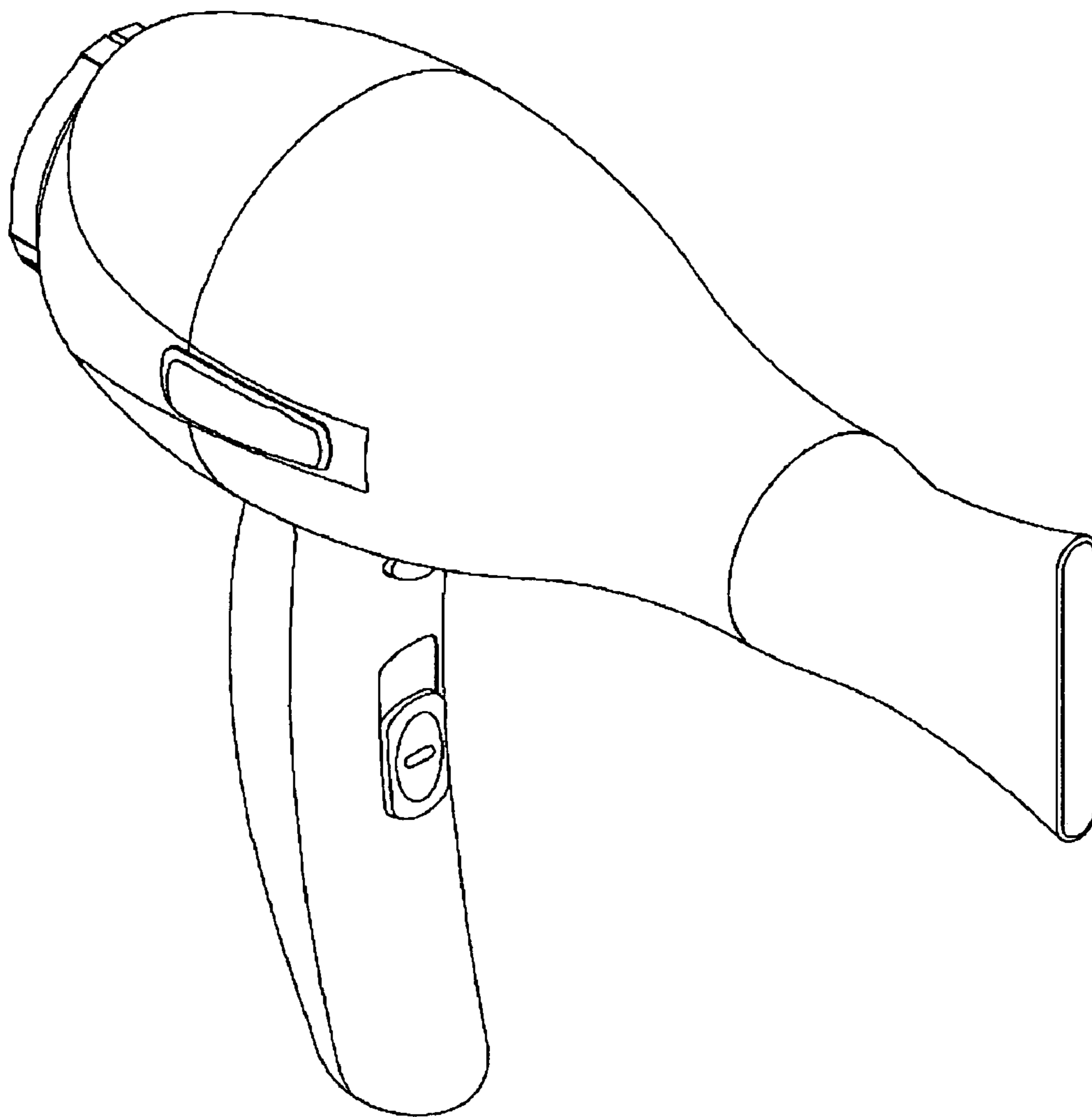


FIG. 1

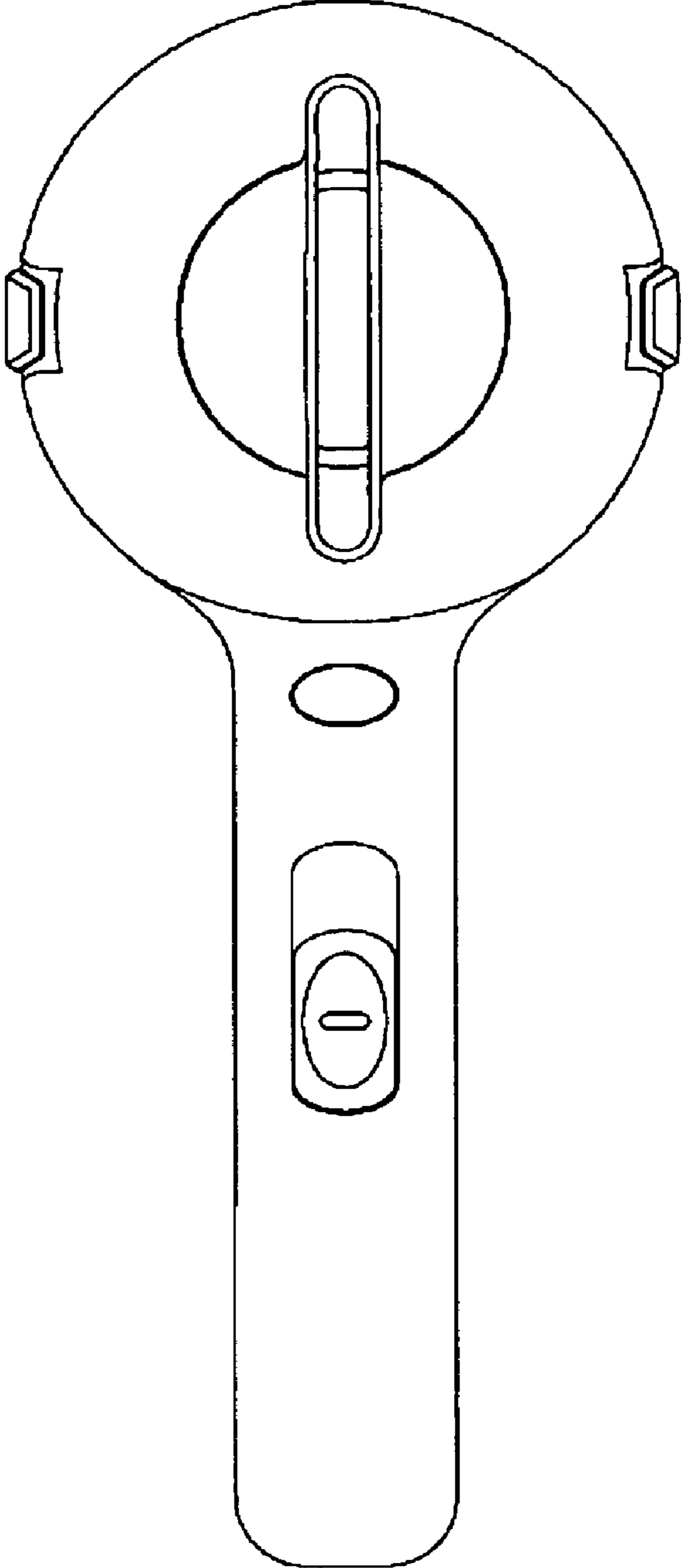


FIG. 2

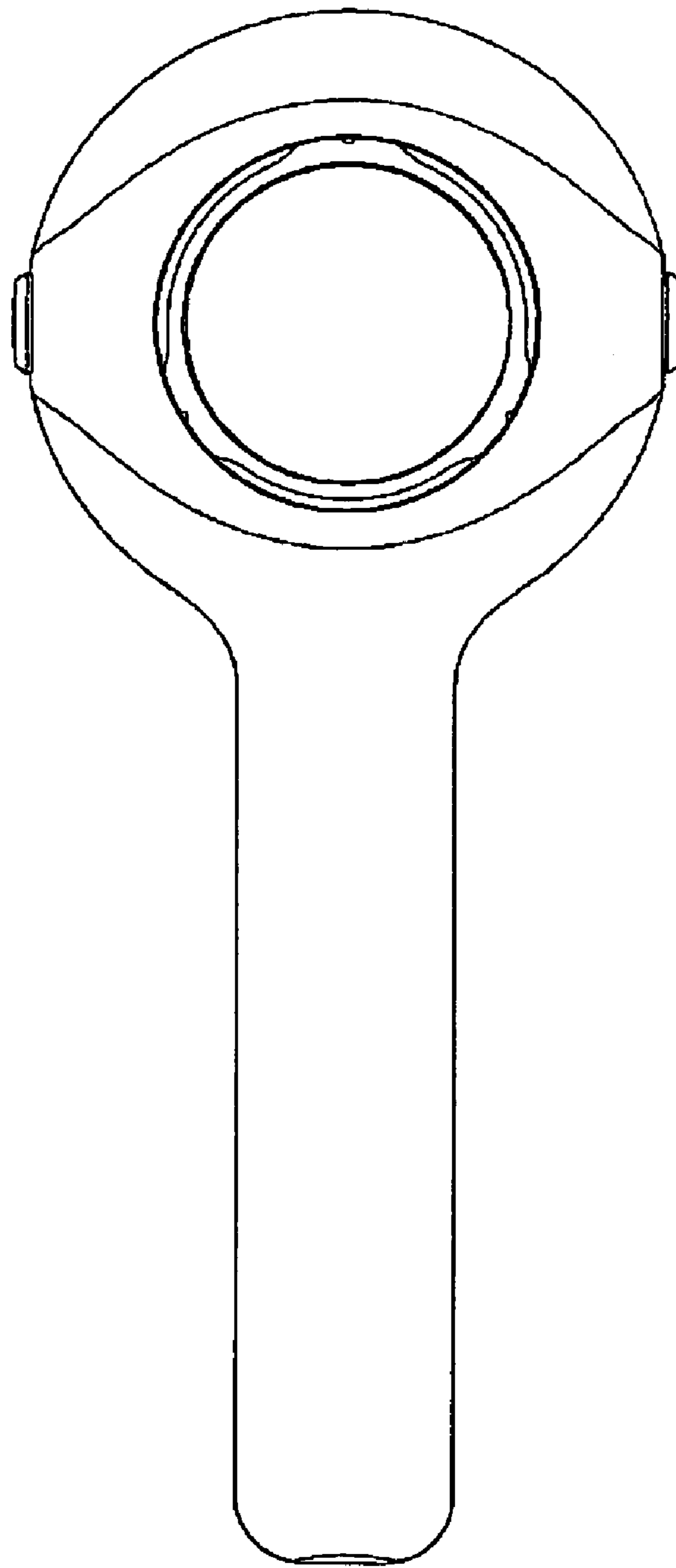


FIG. 3

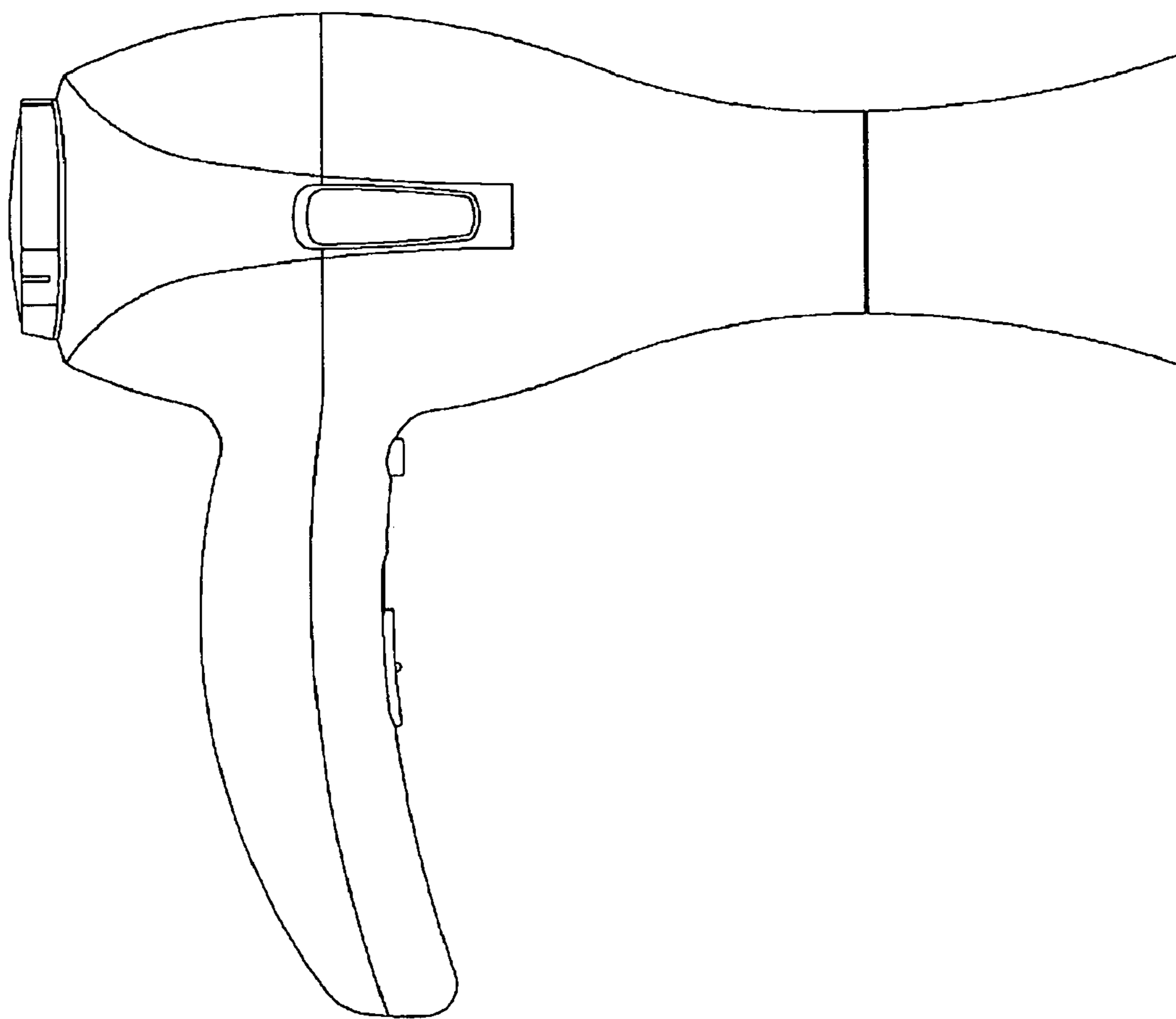


FIG. 4

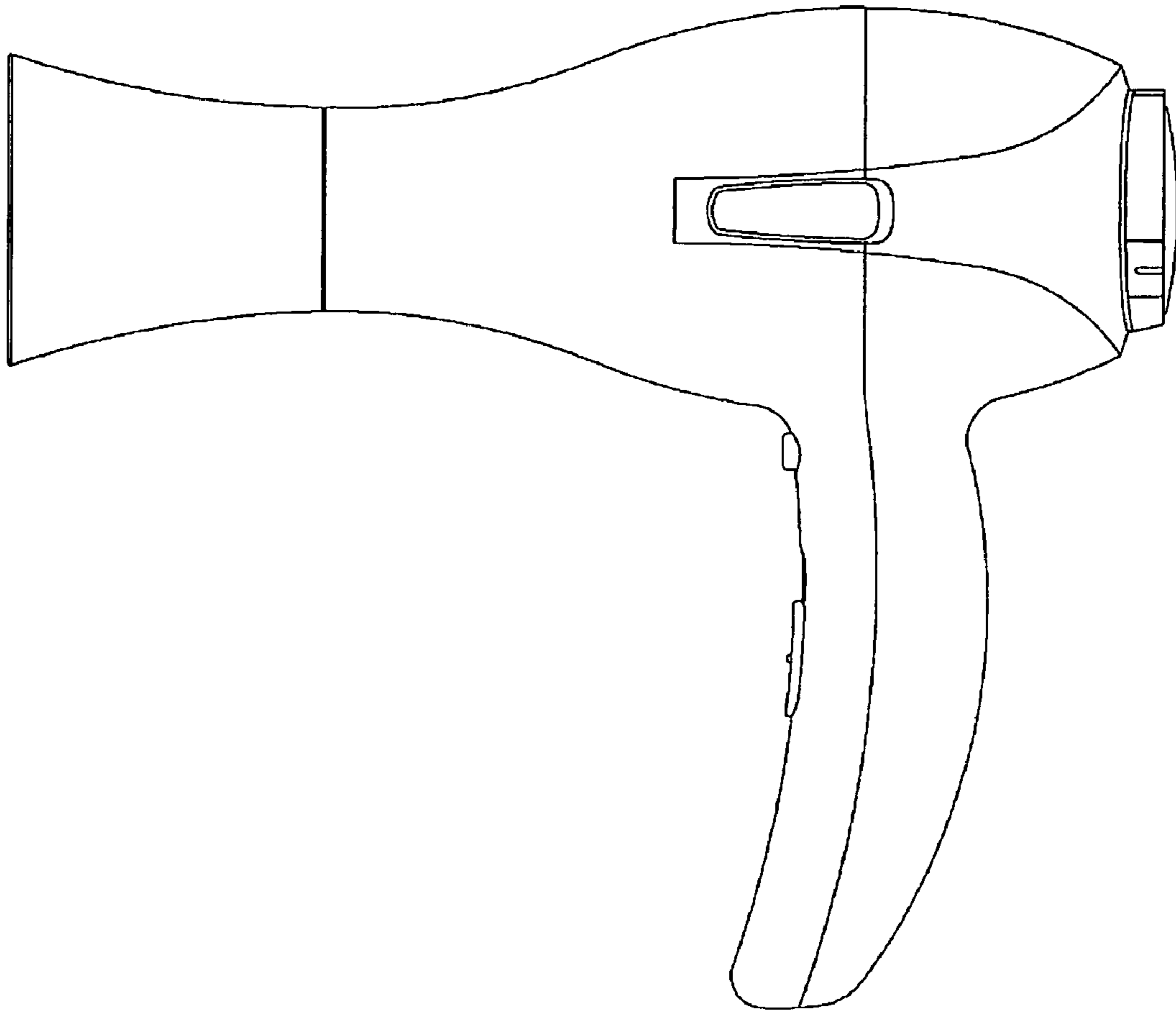


FIG. 5

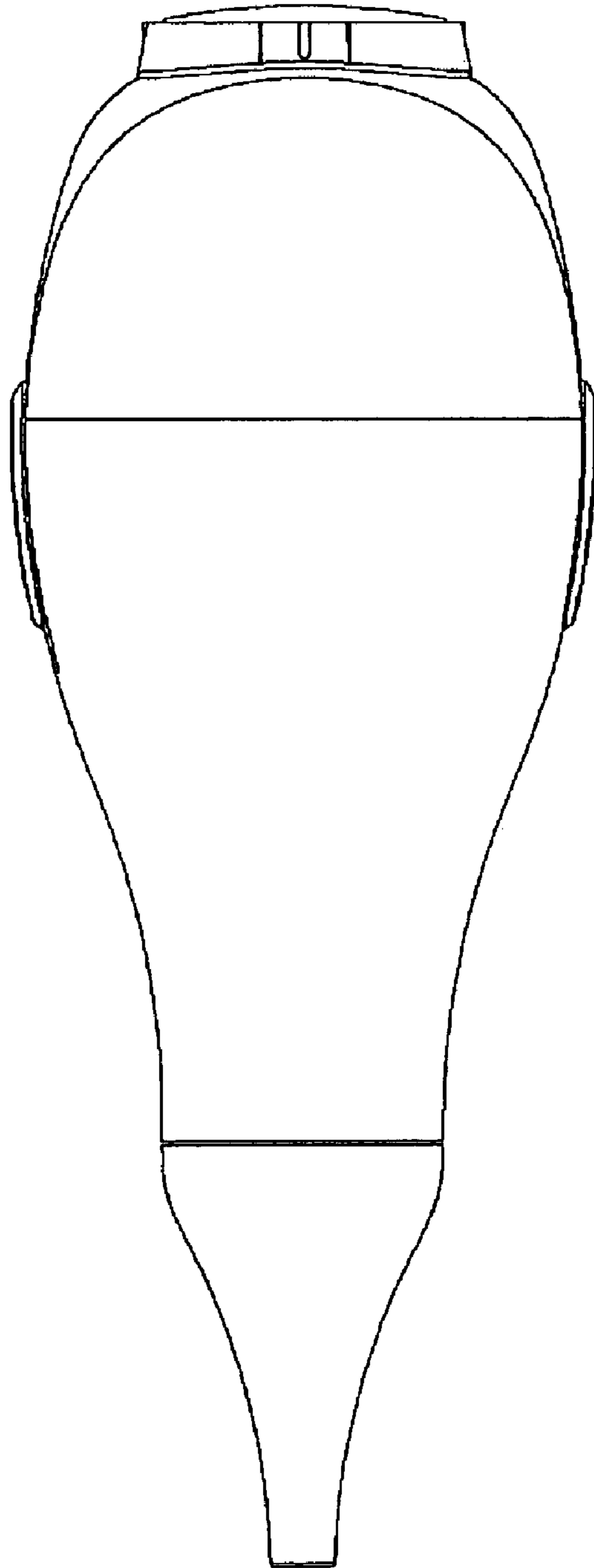


FIG. 6

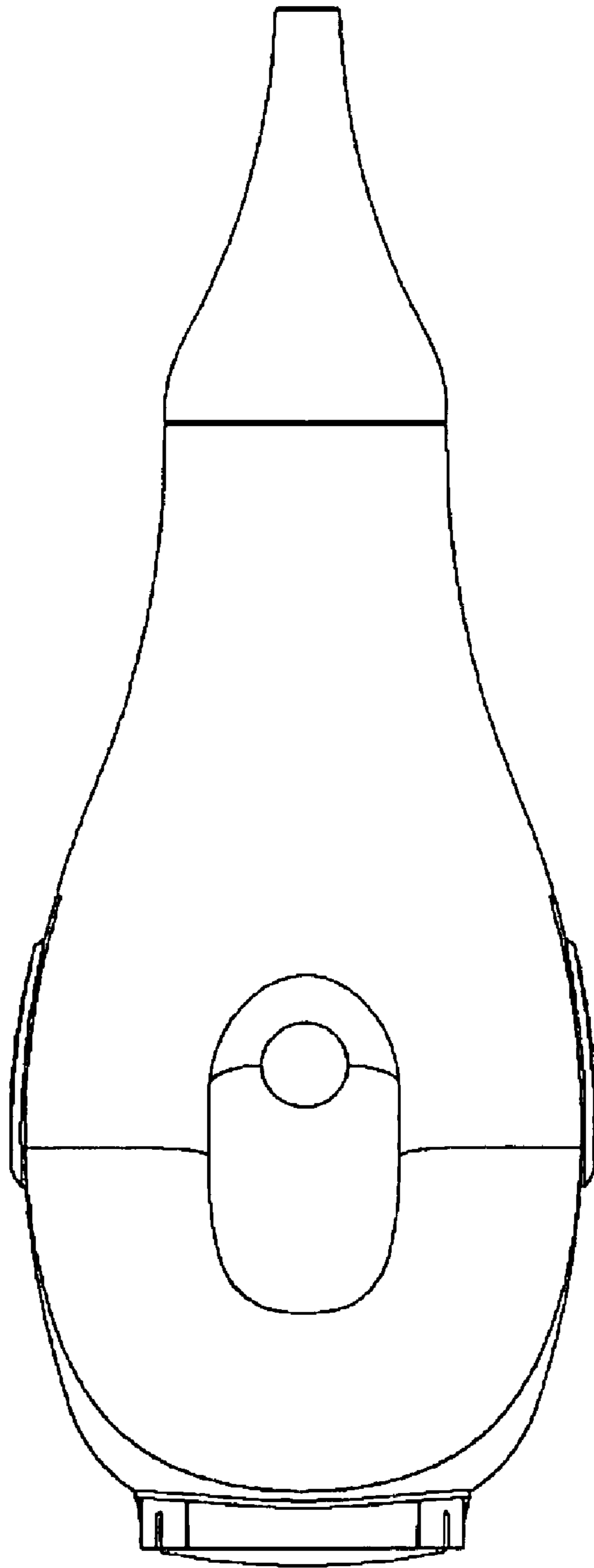


FIG. 7