



US00D651341S

(12) **United States Design Patent**
Schmitz

(10) **Patent No.:** **US D651,341 S**
(45) **Date of Patent:** **** Dec. 27, 2011**

(54) **HAIR DRYER**

(75) Inventor: **Ingo Schmitz**, Duisburg (DE)

(73) Assignee: **WIK Far East Ltd.**, Hong Kong (CN)

(**) Term: **14 Years**

(21) Appl. No.: **29/336,975**

(22) Filed: **May 13, 2009**

(30) **Foreign Application Priority Data**

Nov. 14, 2008 (EM) 001038962

(51) **LOC (9) Cl.** **28-03**

(52) **U.S. Cl.** **D28/13**

(58) **Field of Classification Search** D28/12-19;
34/96-101; 392/380-385; 219/222

See application file for complete search history.

(56) **References Cited**

U.S. PATENT DOCUMENTS

D265,136 S	6/1982	Madl	
D398,418 S	9/1998	Garrett et al.	
D398,717 S	9/1998	Kling et al.	
D407,847 S	4/1999	Gudefin	
D412,219 S *	7/1999	Goetschi	D28/13
D425,243 S *	5/2000	Mattis	D28/13
D425,665 S	5/2000	Kling et al.	
D429,028 S	8/2000	Muller et al.	
D432,716 S	10/2000	Goetschi	
D436,690 S	1/2001	Cruz et al.	
D438,340 S	2/2001	Gudefin	
D456,943 S *	5/2002	Micinilio et al.	D28/13
D460,214 S	7/2002	Parodi	
D470,976 S	2/2003	Rizzuto, Jr.	
D473,341 S	4/2003	Bokelman-Dumas	
D494,710 S	8/2004	Parodi	
D496,754 S	9/2004	Parodi	
D499,209 S	11/2004	Ikesaki	
D518,919 S	4/2006	Parodi	

D527,145 S	8/2006	Zimmermann	
D528,698 S	9/2006	Rizzuto, Jr.	
D541,981 S *	5/2007	Ceva	D28/13
D543,313 S	5/2007	Petrucelli, Jr.	
D544,645 S	6/2007	Ceva	
D601,750 S *	10/2009	Eigenstetter	D28/13
D605,355 S *	12/2009	Keong et al.	D28/13

OTHER PUBLICATIONS

U.S. Appl. No. 29/335,835, filed Apr. 22, 2009; Inventor: Ingo Schmitz.

U.S. Appl. No. 29/335,836, filed Apr. 22, 2009; Inventor: Ingo Schmitz.

U.S. Appl. No. 29/336,040, filed Apr. 27, 2009; Inventor: Christoph Speh.

U.S. Appl. No. 29/336,088, filed Apr. 28, 2009; Inventor: Christoph Speh.

U.S. Appl. No. 29/336,101, filed Apr. 28, 2009; Inventor: Christoph Speh.

(Continued)

Primary Examiner — Zenia Bennett

(74) *Attorney, Agent, or Firm* — Margaret Polson; Oppedahl Patent Law Firm LLC

(57) **CLAIM**

The ornamental design for a hair dryer, as shown and described.

DESCRIPTION

FIG. 1 is a front perspective view of my new design for a hair dryer.

FIG. 2 is a right side elevation view of FIG. 1.

FIG. 3 is a left side elevation view of FIG. 1.

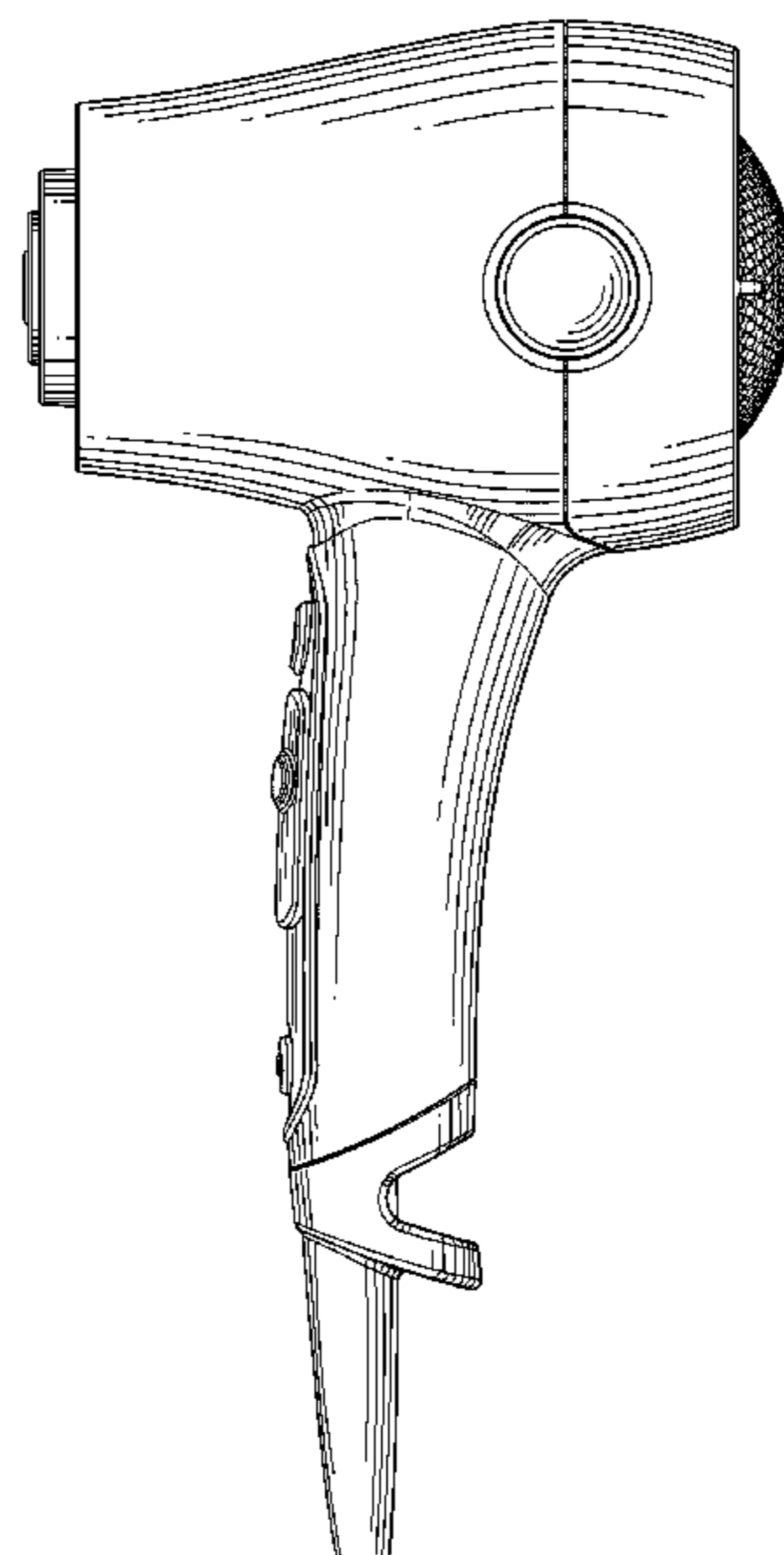
FIG. 4 is a front side elevation view of FIG. 1.

FIG. 5 is a rear side elevation view of FIG. 1.

FIG. 6 is a top plan view of FIG. 1; and,

FIG. 7 is a bottom plan view of FIG. 1.

1 Claim, 5 Drawing Sheets



US D651,341 S

Page 2

OTHER PUBLICATIONS

U.S. Appl. No. 29/336,102, filed Apr. 28, 2009; Inventor: Ingo Schmitz.

U.S. Appl. No. 29/336,973, filed May 13, 2009; Inventor: Ingo Schmitz.

* cited by examiner

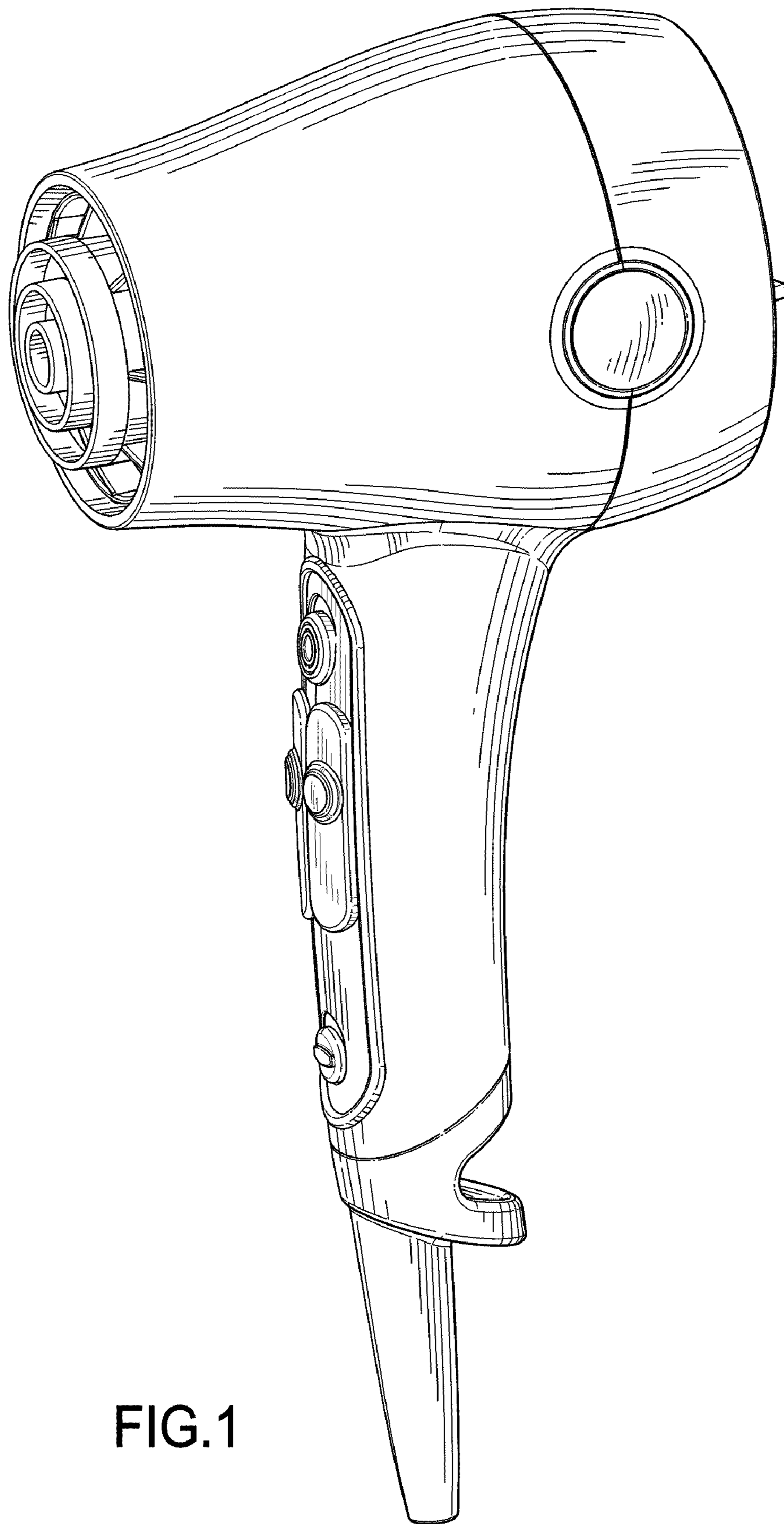


FIG. 1

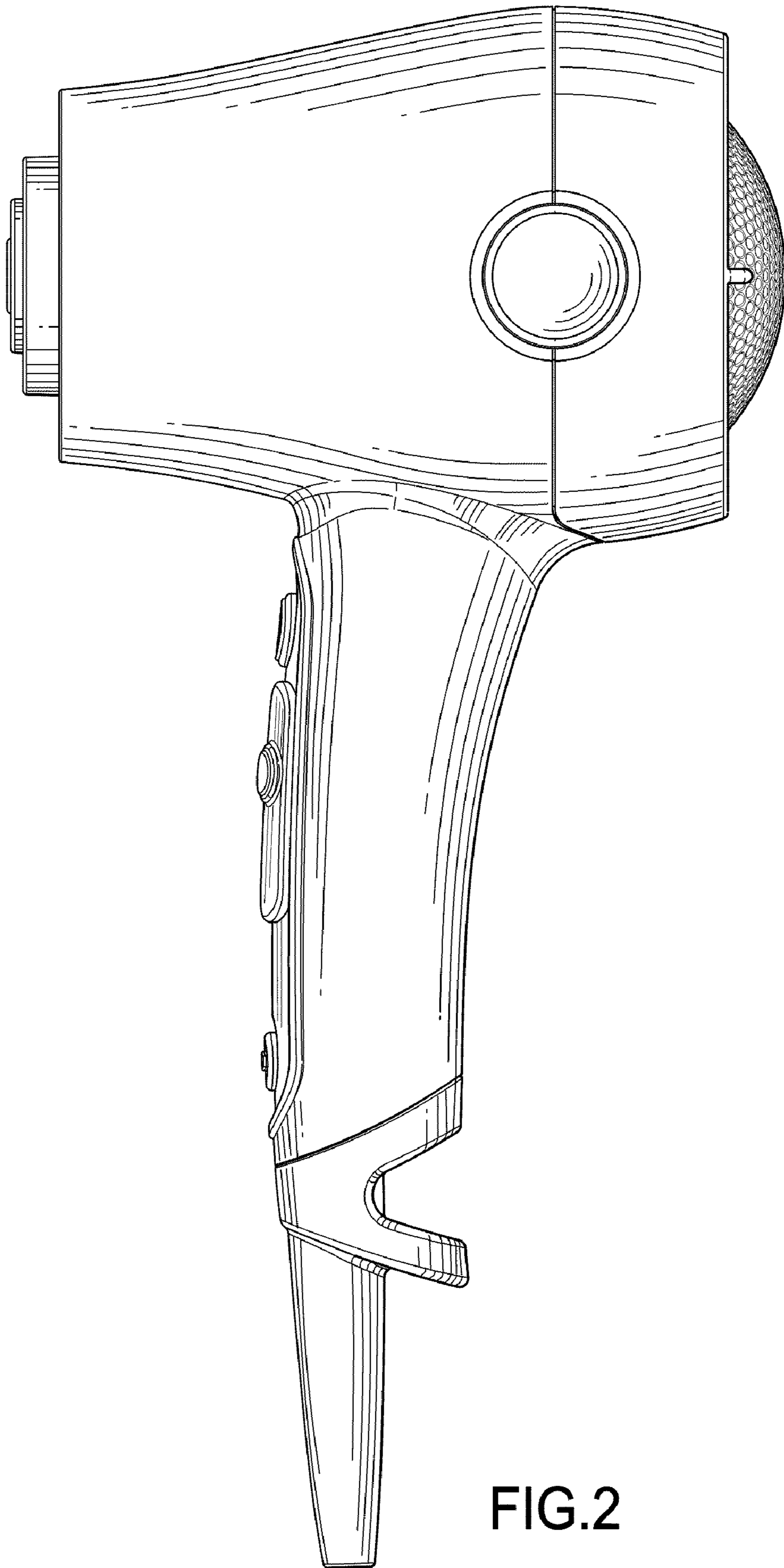


FIG.2

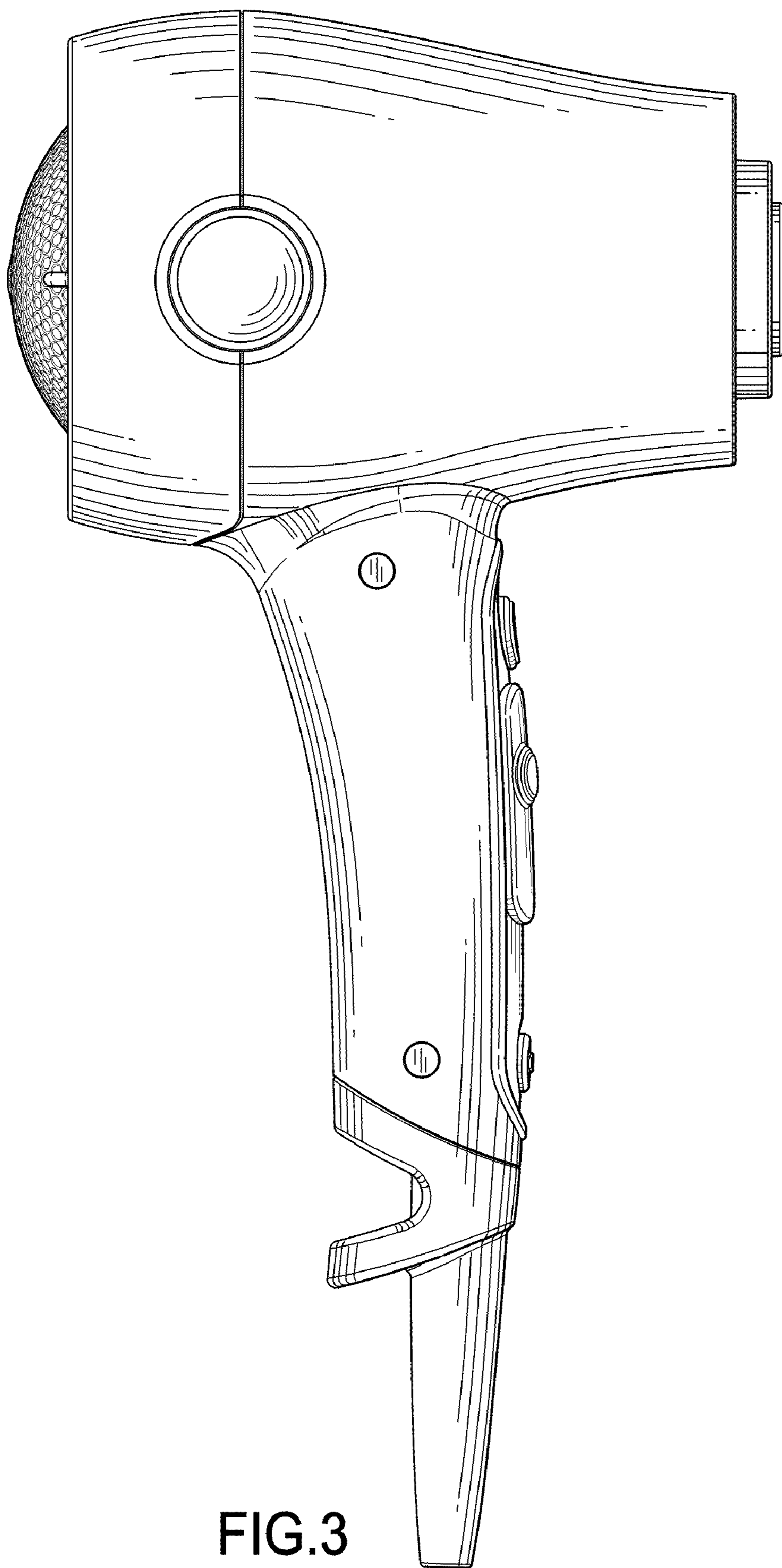


FIG.3

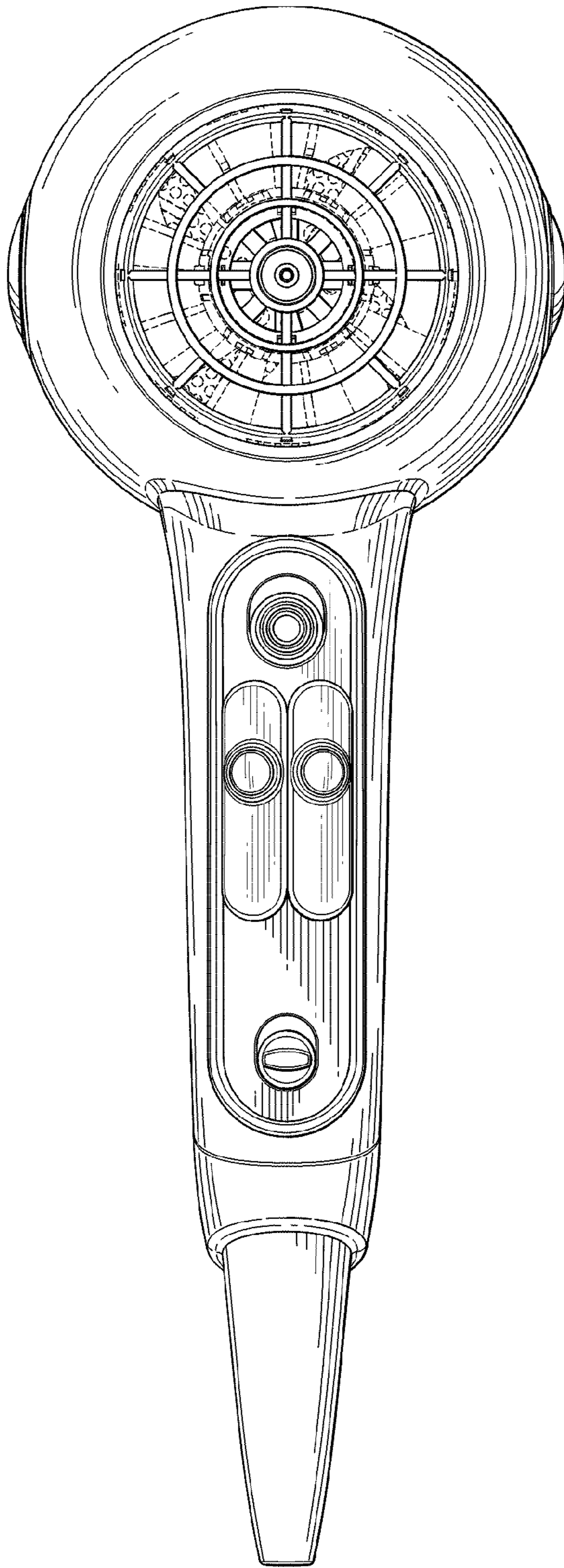


FIG.4

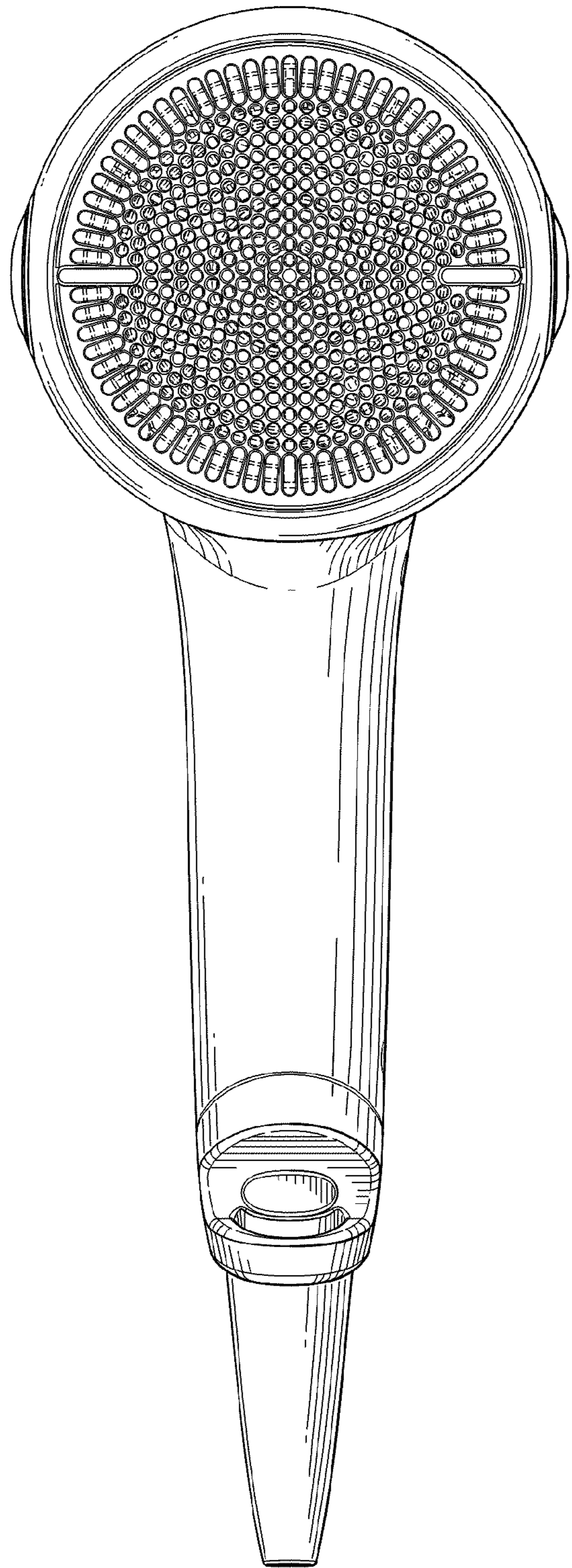


FIG.5

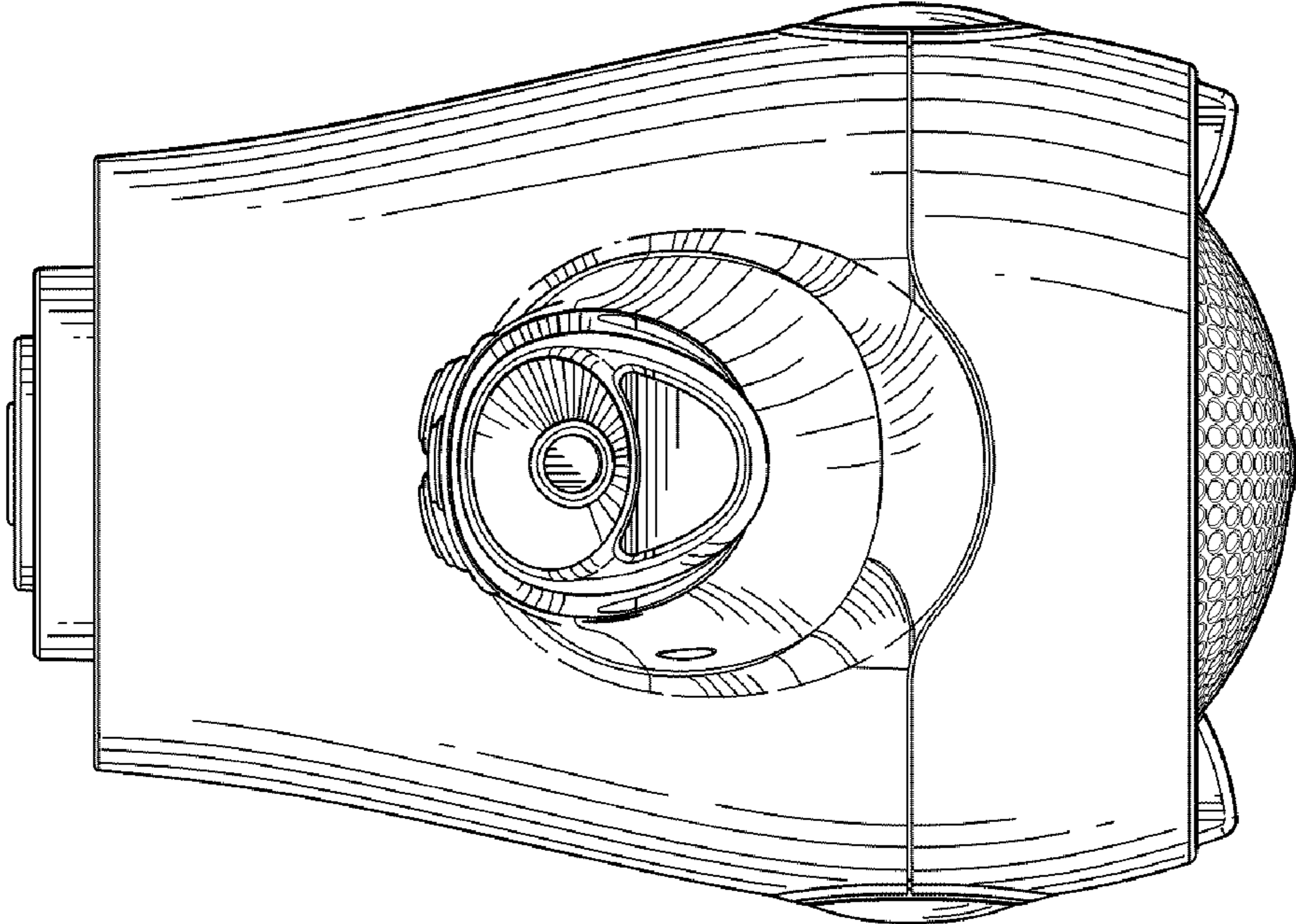


FIG.7

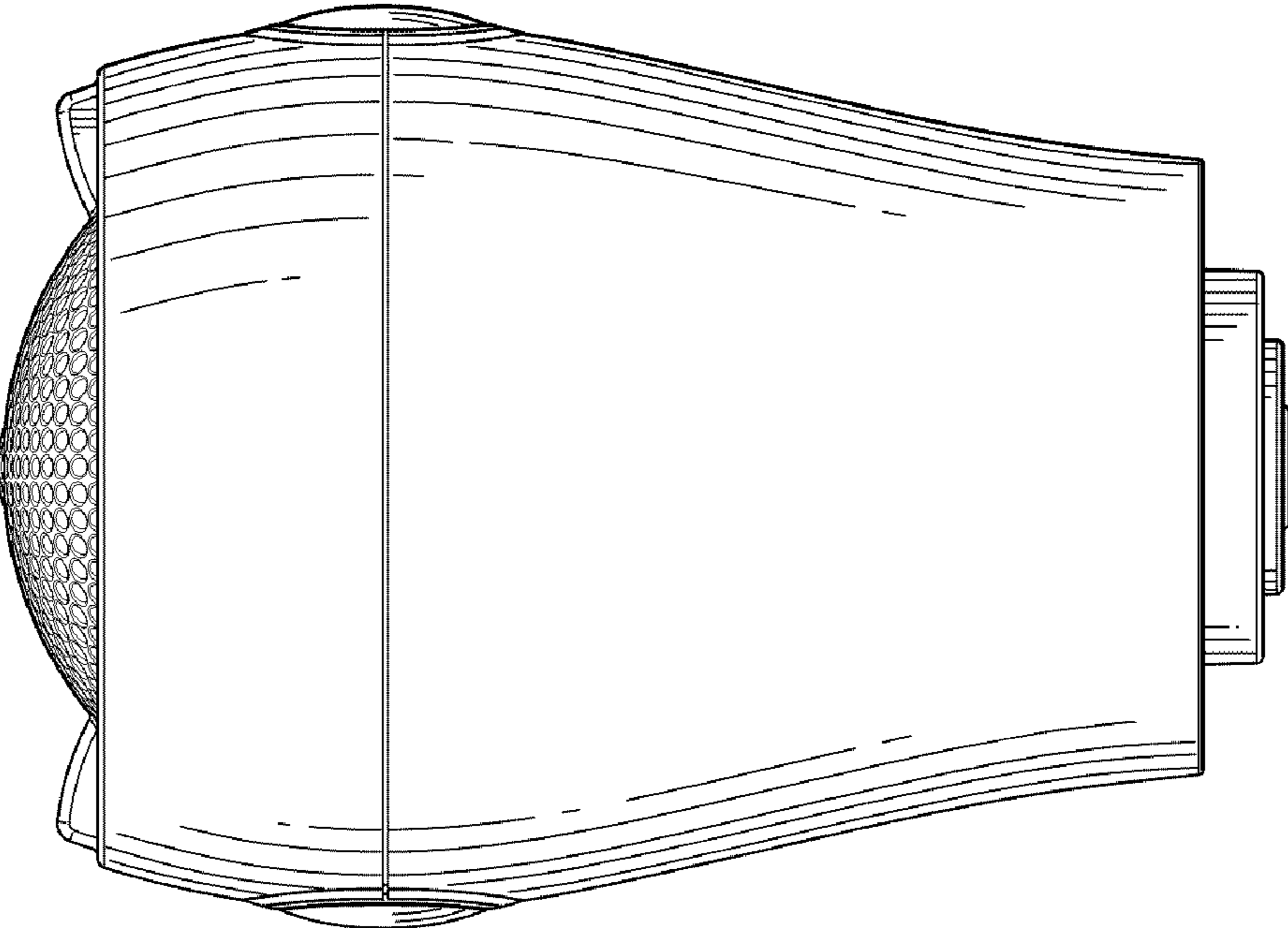


FIG.6