



US00D651339S

(12) **United States Design Patent**  
**Kirk, III et al.**

(10) **Patent No.:** **US D651,339 S**

(45) **Date of Patent:** **\*\* Dec. 27, 2011**

(54) **APPLICATOR**

(75) Inventors: **Karl Dallas Kirk, III**, New York, NY (US); **Paul J. Mulhauser**, New York, NY (US)

(73) Assignee: **OptMed, Inc.**, Woodmere, NY (US)

(\*\*) Term: **14 Years**

(21) Appl. No.: **29/356,172**

(22) Filed: **Feb. 20, 2010**

(51) **LOC (9) Cl.** ..... **28-02**

(52) **U.S. Cl.** ..... **D28/7**

(58) **Field of Classification Search** ..... D28/7,  
D28/8, 20–22, 30–31, 76, 85, 99; 132/108,  
132/202, 208, 317, 320; 401/202–207, 261–267;  
D4/132–135; D24/119

See application file for complete search history.

(56) **References Cited**

**U.S. PATENT DOCUMENTS**

D351,229 S \* 10/1994 Wirt ..... D24/119  
D401,701 S \* 11/1998 Chodorow ..... D28/66  
D426,885 S \* 6/2000 Stromblad ..... D24/119

D428,142 S \* 7/2000 Stromblad ..... D24/119  
D450,153 S \* 11/2001 Knieriemen ..... D28/7  
7,476,048 B2 \* 1/2009 Prague ..... 401/262

\* cited by examiner

*Primary Examiner* — Zenia Bennett

(74) *Attorney, Agent, or Firm* — Edward K Welch, II; IP & L Solutions

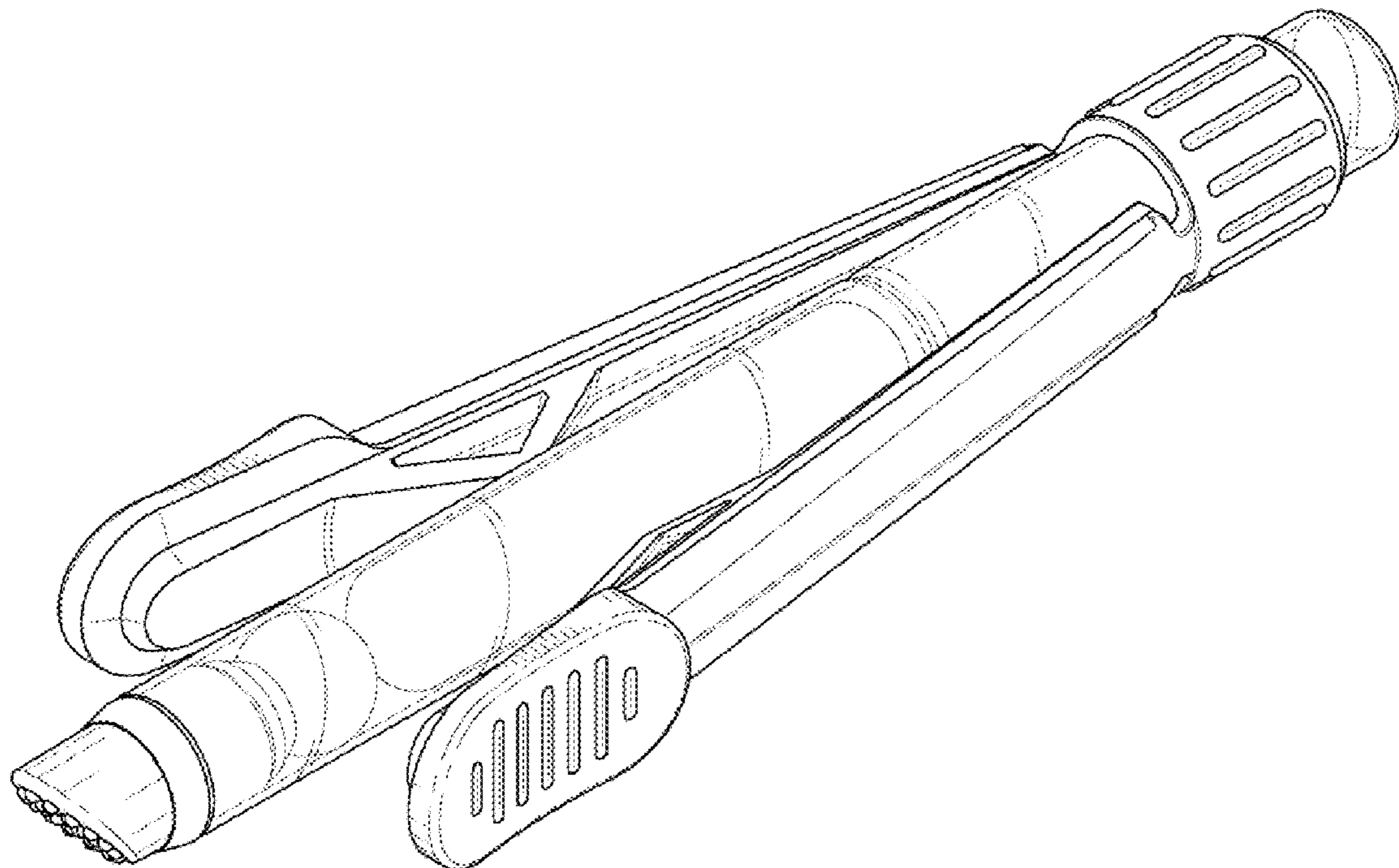
(57) **CLAIM**

The ornamental design for an applicator, as shown and described.

**DESCRIPTION**

FIG. 1 is a front elevated perspective view of an applicator showing the new design,  
FIG. 2 is a second front elevated perspective view of the applicator,  
FIG. 3 is a top plan view of the applicator,  
FIG. 4 is a side view, to which the opposite side view corresponds, of the applicator,  
FIG. 5 is a front end view of the applicator,  
FIG. 6 is a rear end view of the applicator; and,  
FIG. 7 is a bottom plan view of the applicator.

**1 Claim, 5 Drawing Sheets**



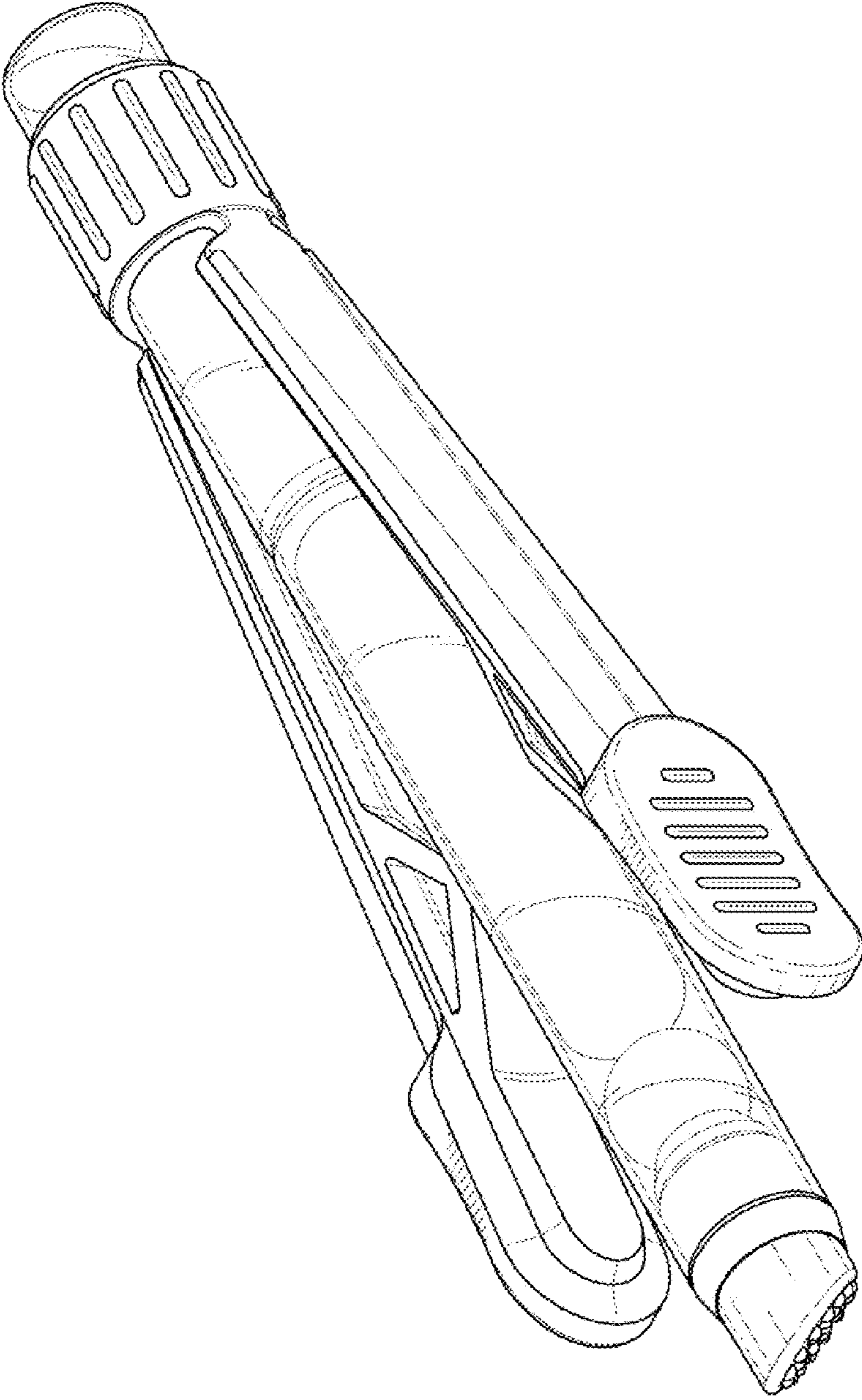


FIG. 1

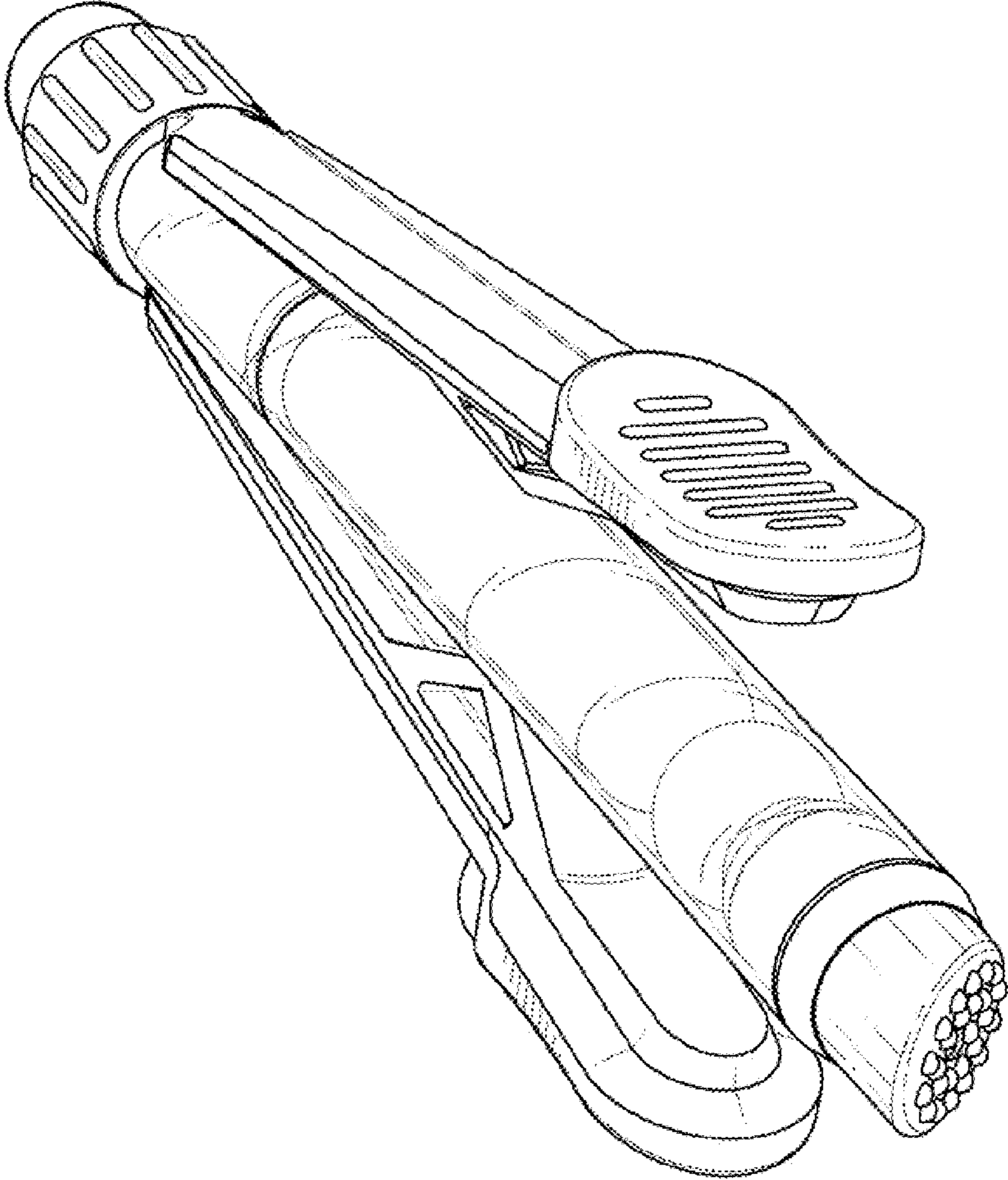


FIG. 2



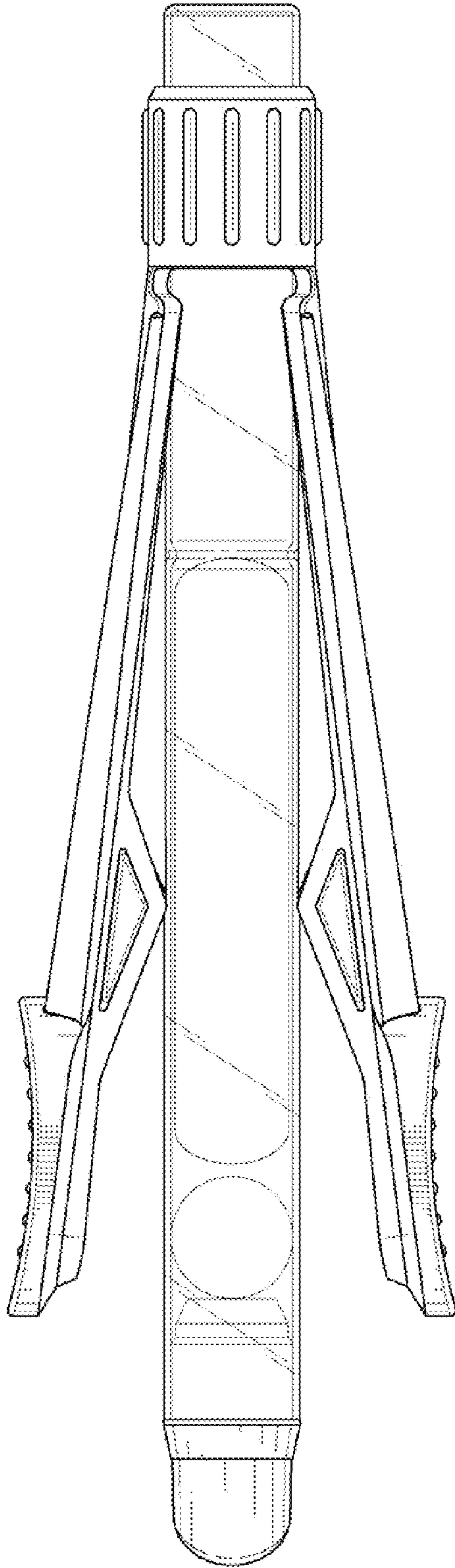


FIG. 3

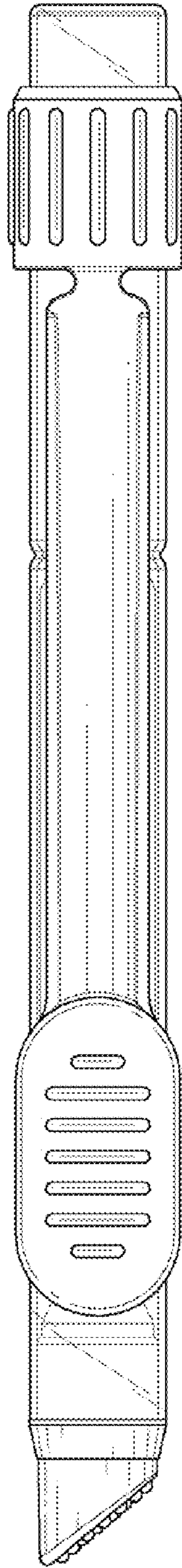


FIG. 4

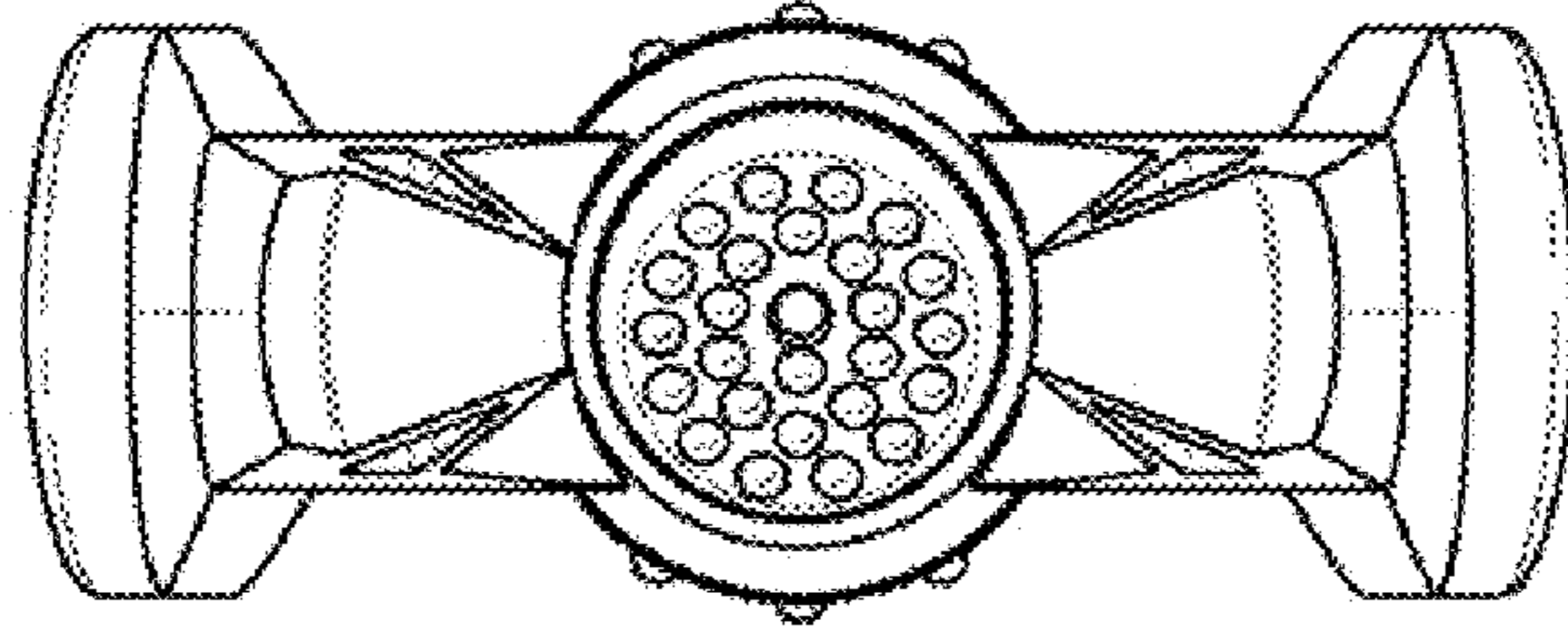


FIG. 5

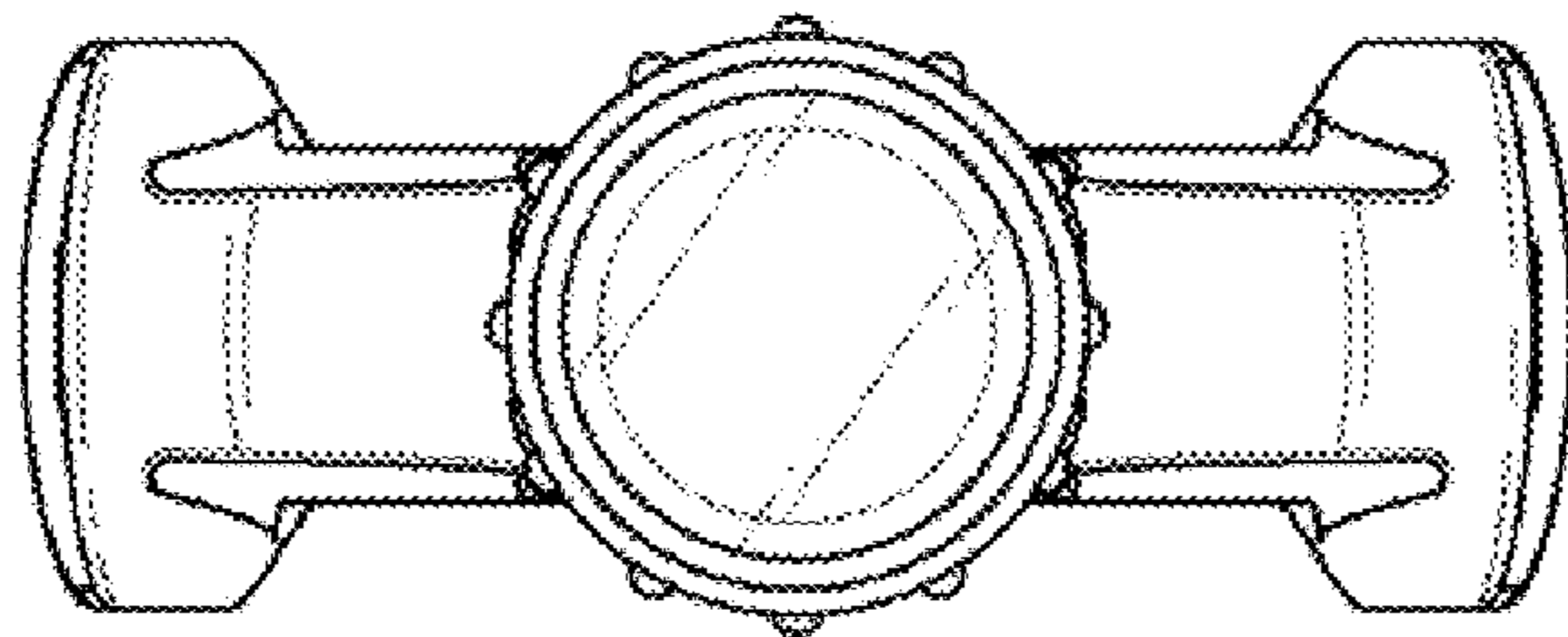


FIG. 6

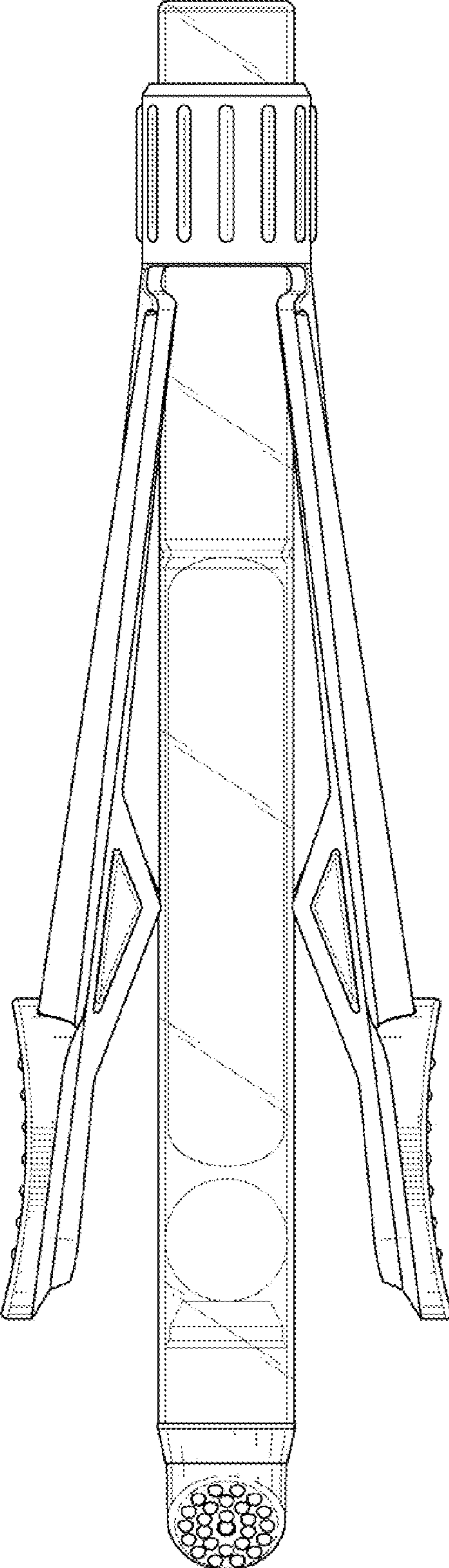


FIG.7