



US00D651338S

(12) **United States Design Patent**
Awty et al.

(10) **Patent No.:** **US D651,338 S**

(45) **Date of Patent:** **** Dec. 27, 2011**

(54) **SMOKING ARTICLE FILTER**

(75) Inventors: **Edward Awty**, London (GB); **Paulo Oliveira**, London (GB)

(73) Assignee: **British American Tobacco (Investments) Limited**, London (GB)

(**) Term: **14 Years**

(21) Appl. No.: **29/383,822**

(22) Filed: **Jan. 21, 2011**

Related U.S. Application Data

(62) Division of application No. 29/335,627, filed on Apr. 17, 2009.

(30) **Foreign Application Priority Data**

Oct. 20, 2008 (WO) DM/070 882
Apr. 7, 2009 (WO) DM/071 693

(51) **LOC (9) Cl.** **27-99**

(52) **U.S. Cl.** **D27/194; D27/101**

(58) **Field of Classification Search** D27/100,
D27/101, 194; 131/280, 88, 329, 330, 202,
131/215.1-215.3

See application file for complete search history.

(56) **References Cited**

U.S. PATENT DOCUMENTS

3,288,145	A *	11/1966	Rosenthal	131/349
D223,879	S *	6/1972	Chernack	D27/194
D229,790	S *	1/1974	Berger	D27/101
5,067,500	A *	11/1991	Keritsis	131/335
D334,631	S *	4/1993	Jones	D27/194
5,345,951	A *	9/1994	Serrano et al.	131/194
5,396,909	A *	3/1995	Gentry et al.	131/332
6,526,986	B1 *	3/2003	Sinclair, Jr.	131/365
D483,148	S *	12/2003	Merideth	D27/170
D589,647	S *	3/2009	Danforth	D27/101
D613,902	S *	4/2010	Kaljura	D27/101
D623,351	S *	9/2010	Kirkeby	D27/101
2006/0130862	A1 *	6/2006	Dittrich et al.	131/364

OTHER PUBLICATIONS

Bethlehem Steel Company, "Representative Sections", p. 8, 1937.*

* cited by examiner

Primary Examiner — Stella Reid

Assistant Examiner — Keli L Hill

(74) *Attorney, Agent, or Firm* — Chadbourne & Parke LLP; Walter G. Hanchuk

(57) **CLAIM**

The ornamental design for a smoking article filter, as shown and described.

DESCRIPTION

FIG. 1 provides a front view showing a first embodiment of a new smoking article filter;

FIG. 2 provides a side view thereof;

FIG. 3 provides a perspective view showing the front and side thereof;

FIG. 4 provides a front view showing a second embodiment of the new smoking article filter;

FIG. 5 provides a side view thereof;

FIG. 6 provides a perspective view showing the front and side thereof;

FIG. 7 provides a front view showing a third embodiment of the new smoking article filter;

FIG. 8 provides a side view thereof;

FIG. 9 provides a perspective view showing the front and side thereof;

FIG. 10 provides a front view showing a fourth embodiment of the new smoking article filter;

FIG. 11 provides a side view thereof;

FIG. 12 provides a perspective view showing the front and side thereof;

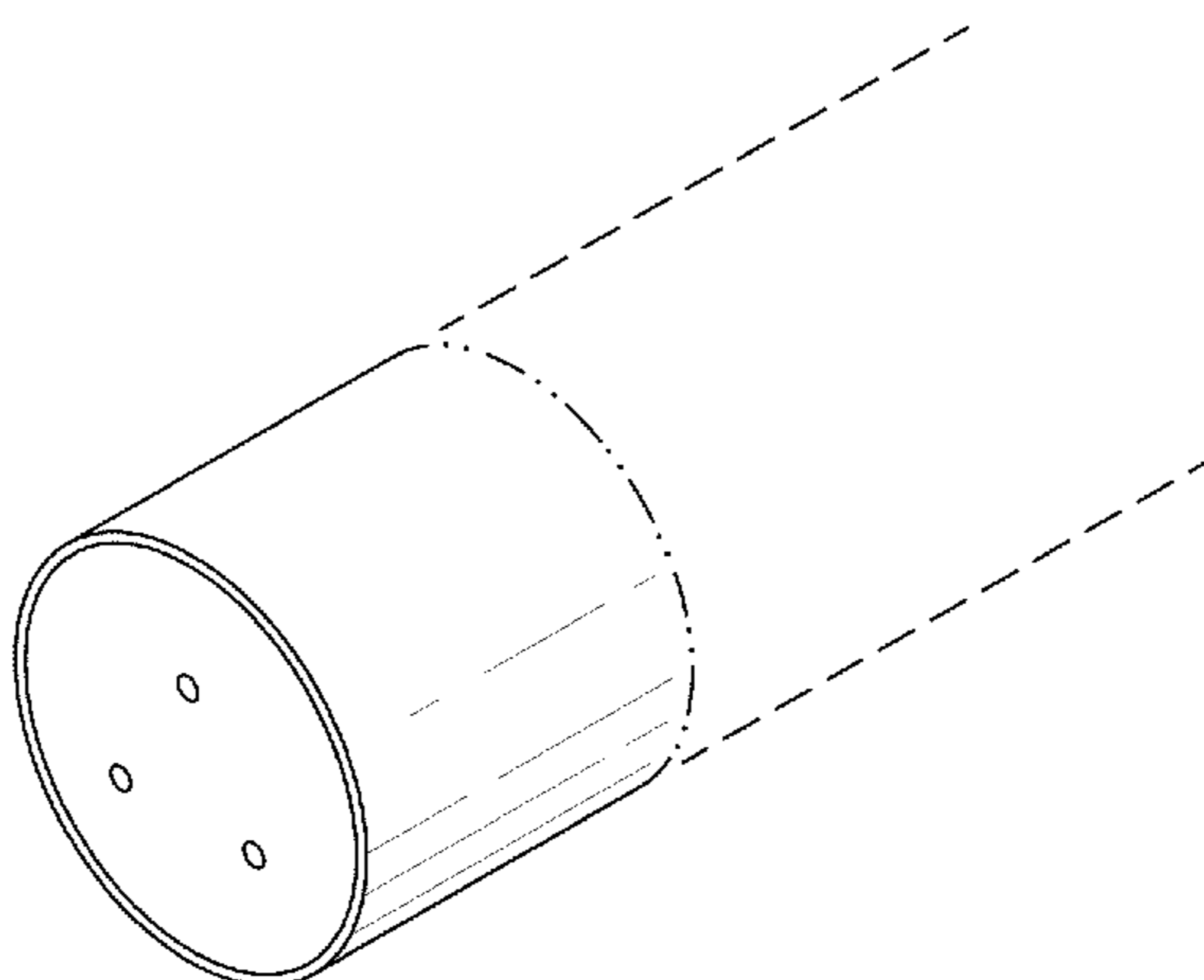
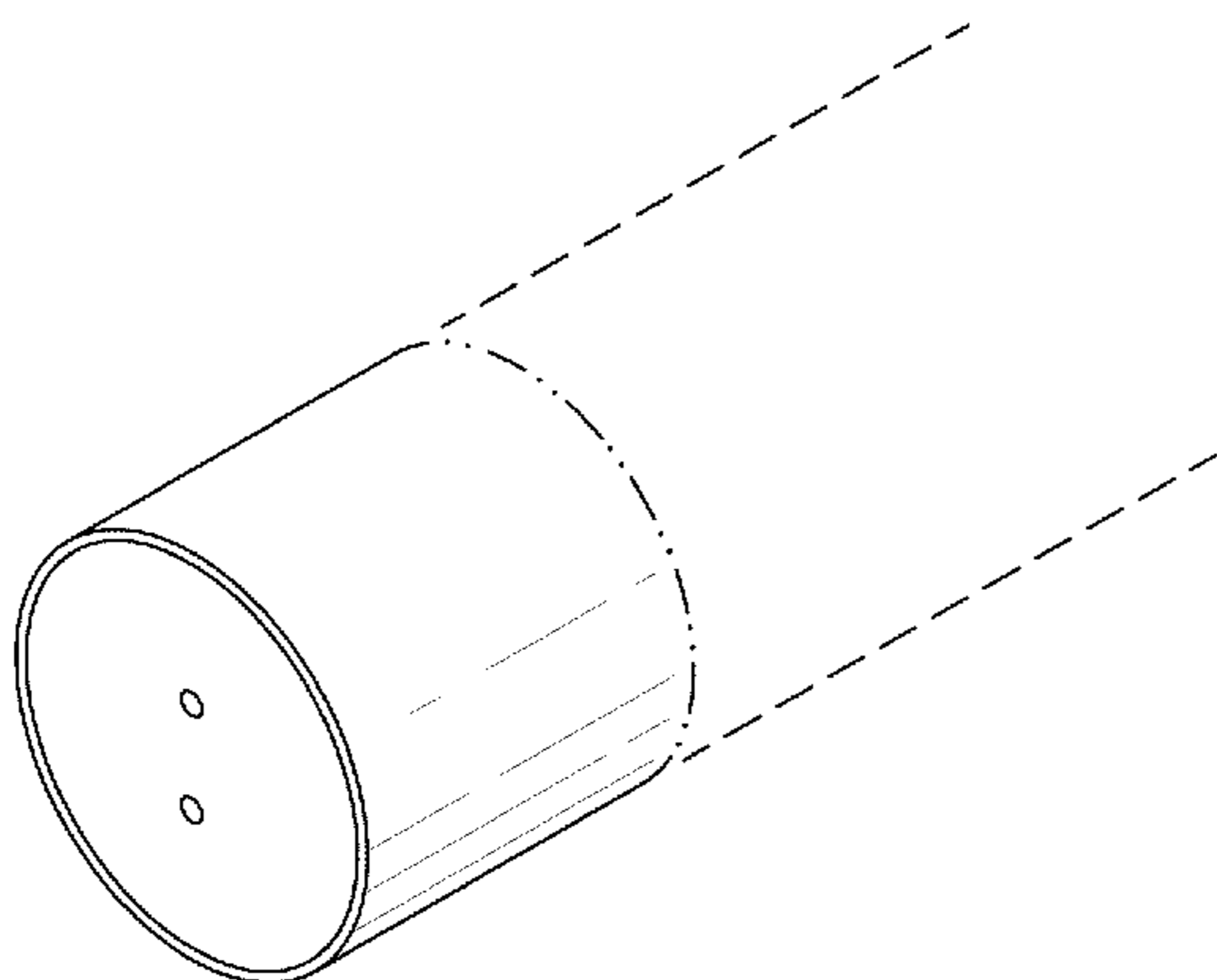
FIG. 13 provides a front view showing a fifth embodiment of the new smoking article filter;

FIG. 14 provides a side view thereof; and,

FIG. 15 provides a perspective view showing the front and side thereof.

The dot-dot-dash broken lines represent the bounds of the claimed design while all other broken lines are included for the purpose of illustrating the unclaimed portions of the article; all of the the broken lines form no part of the claimed design.

1 Claim, 5 Drawing Sheets



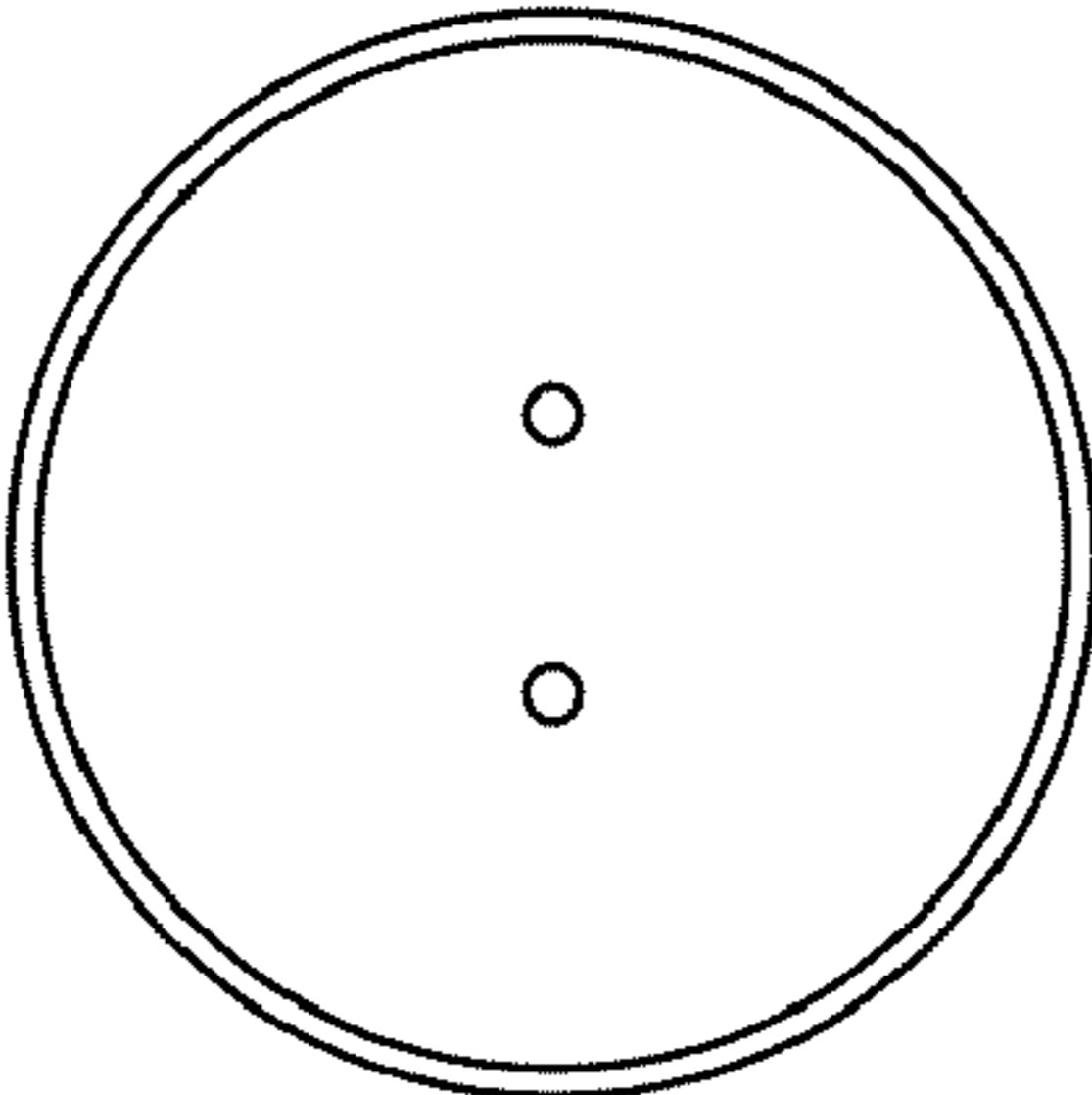


FIG.1

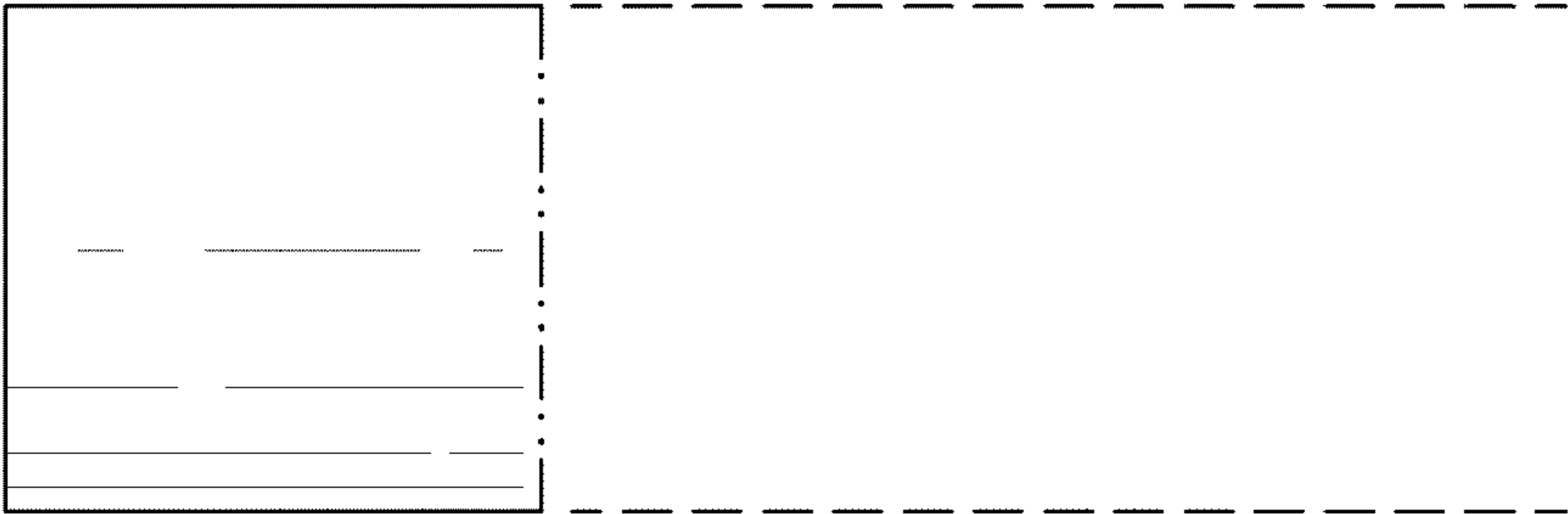


FIG.2

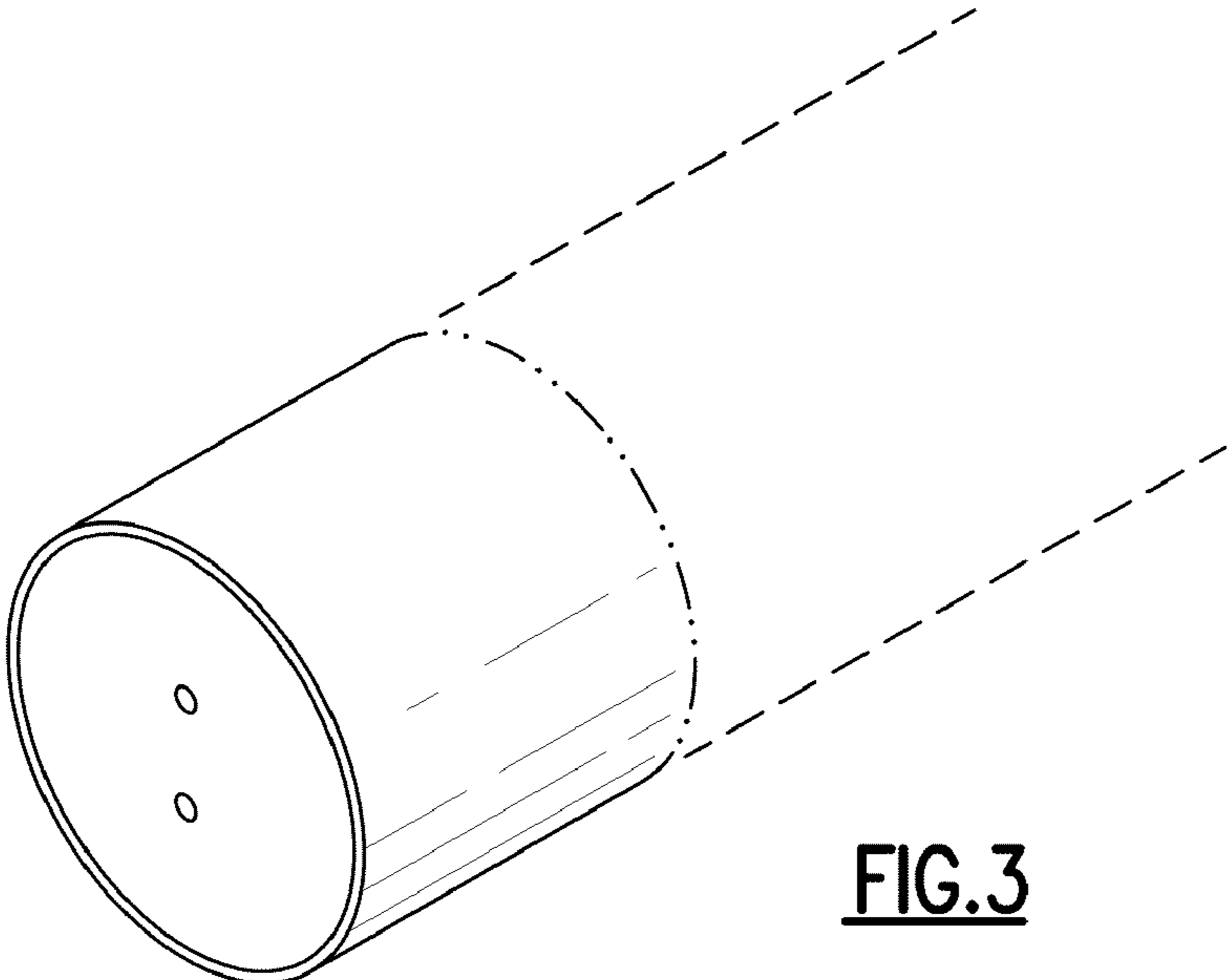


FIG.3

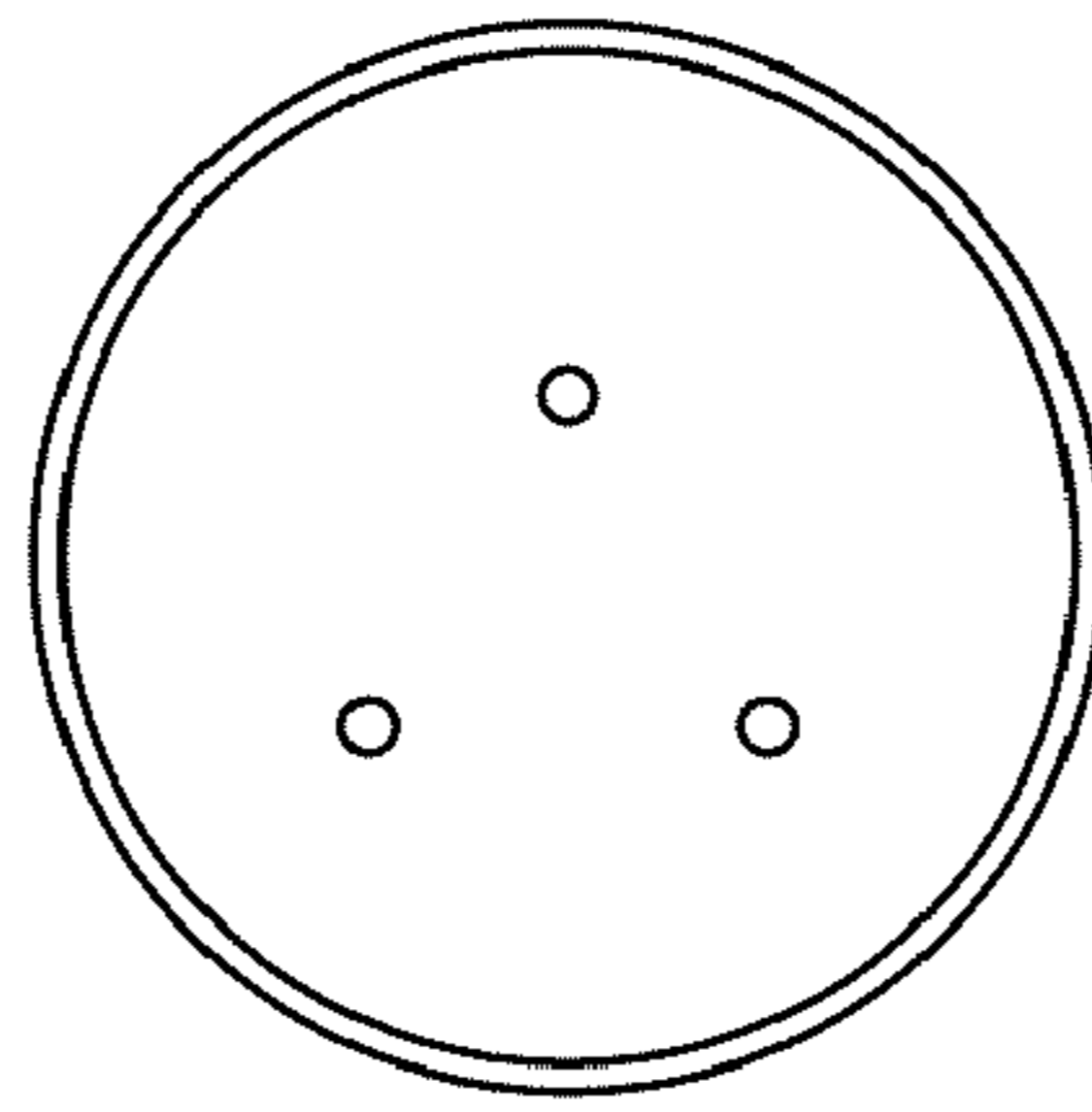


FIG. 4

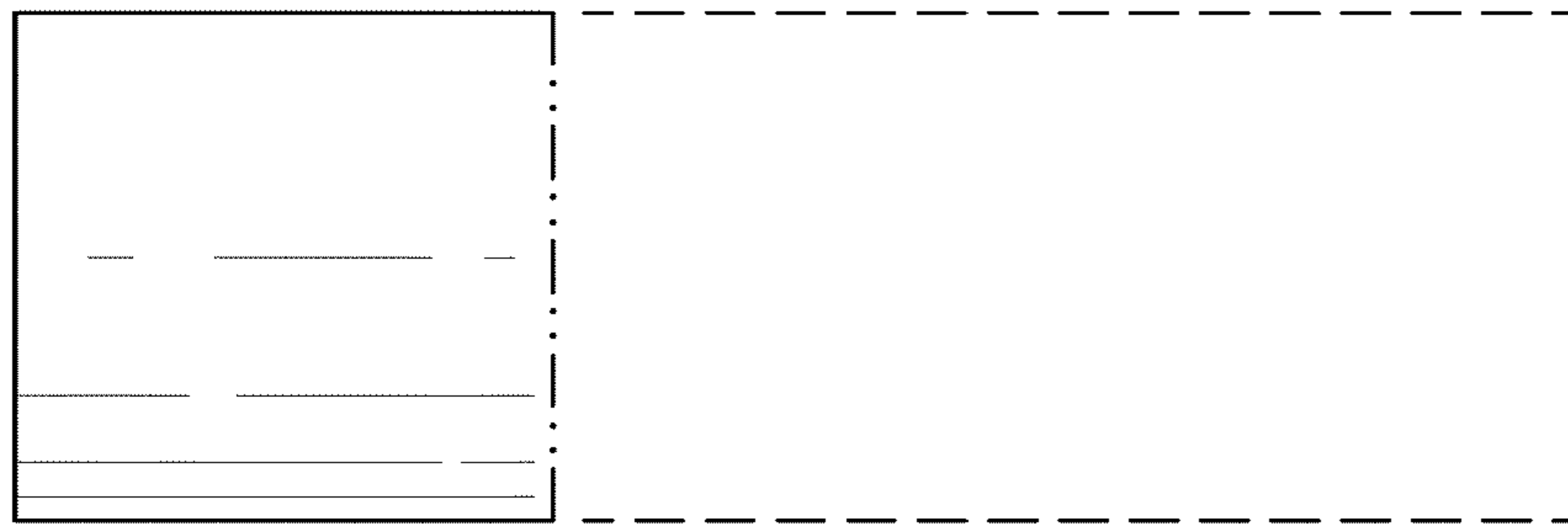


FIG. 5

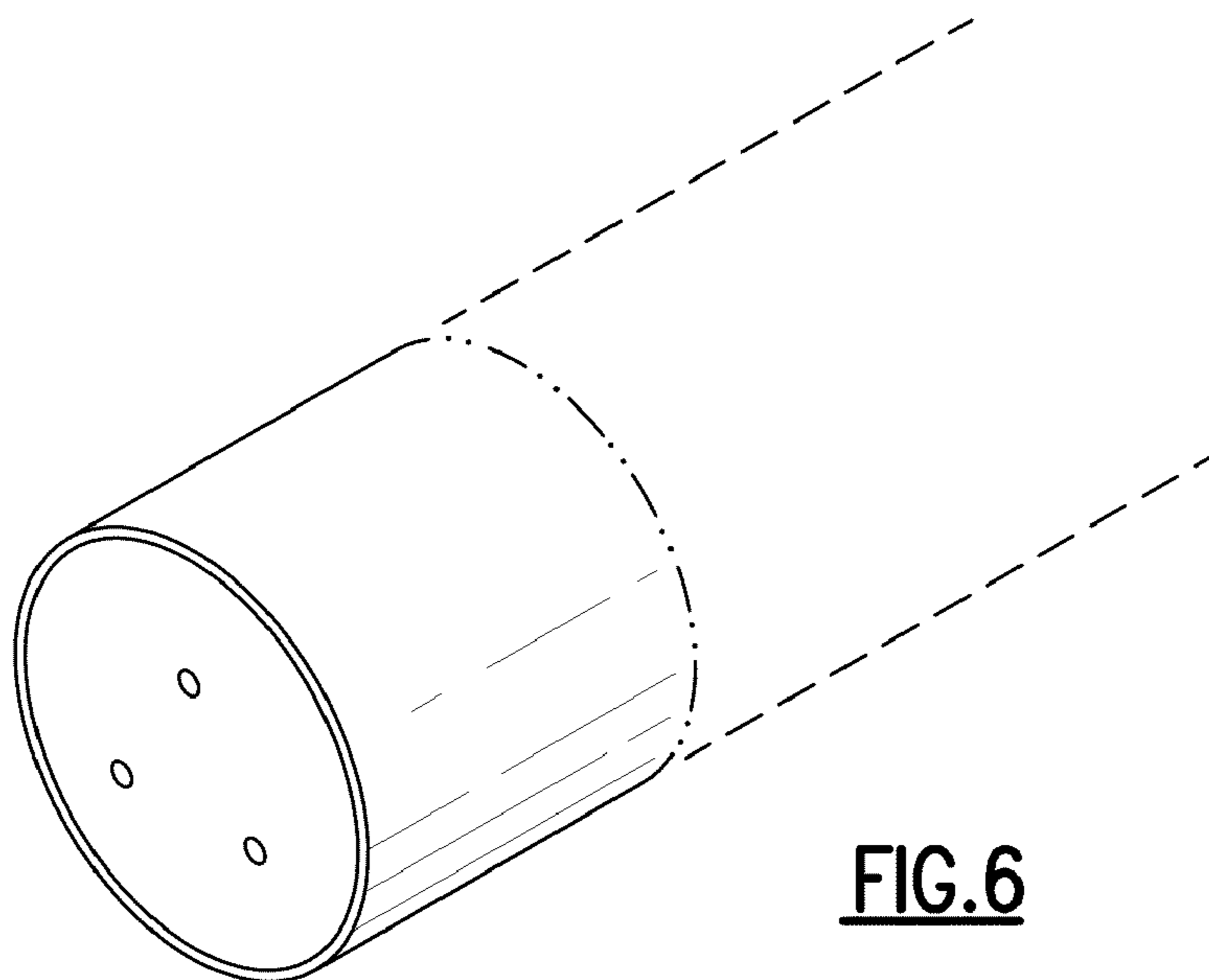


FIG. 6

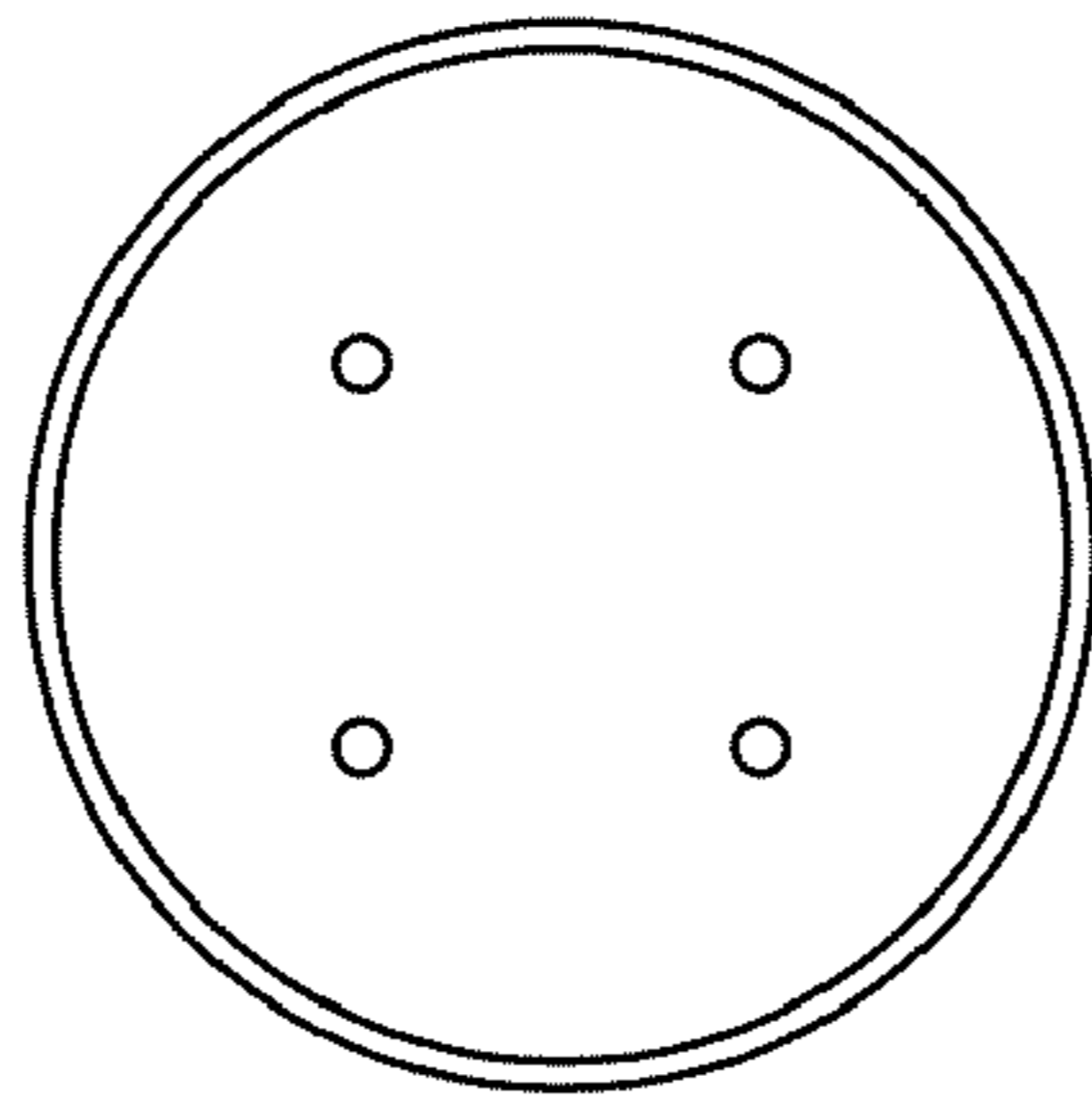


FIG. 7

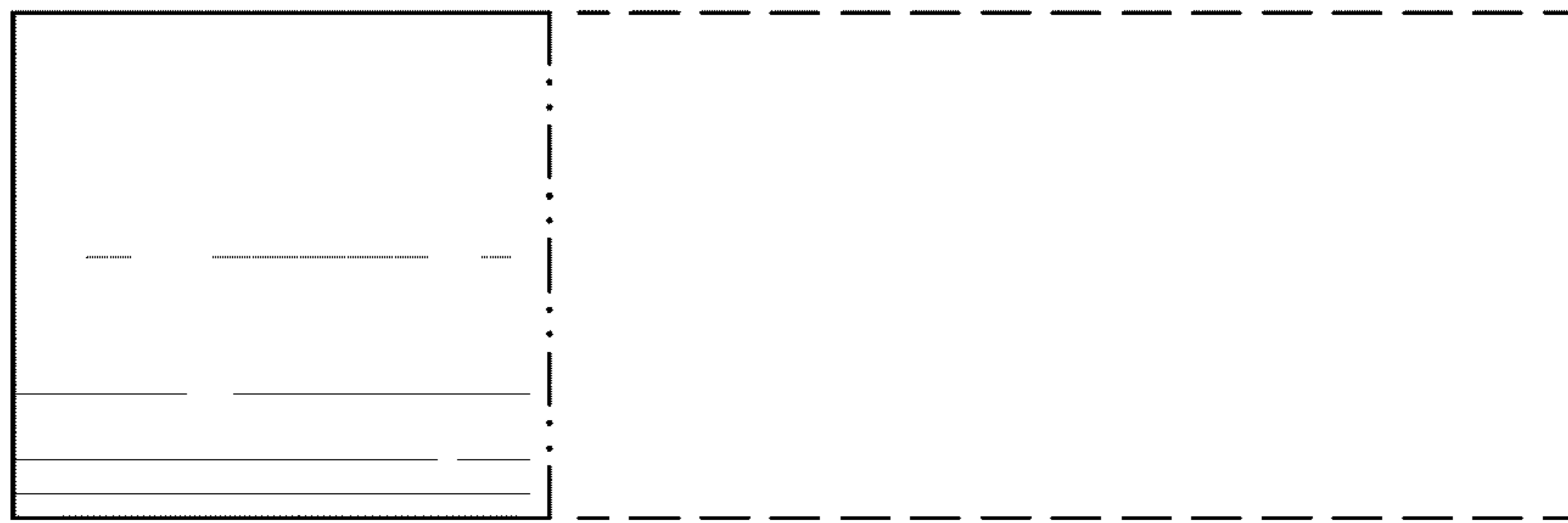


FIG. 8

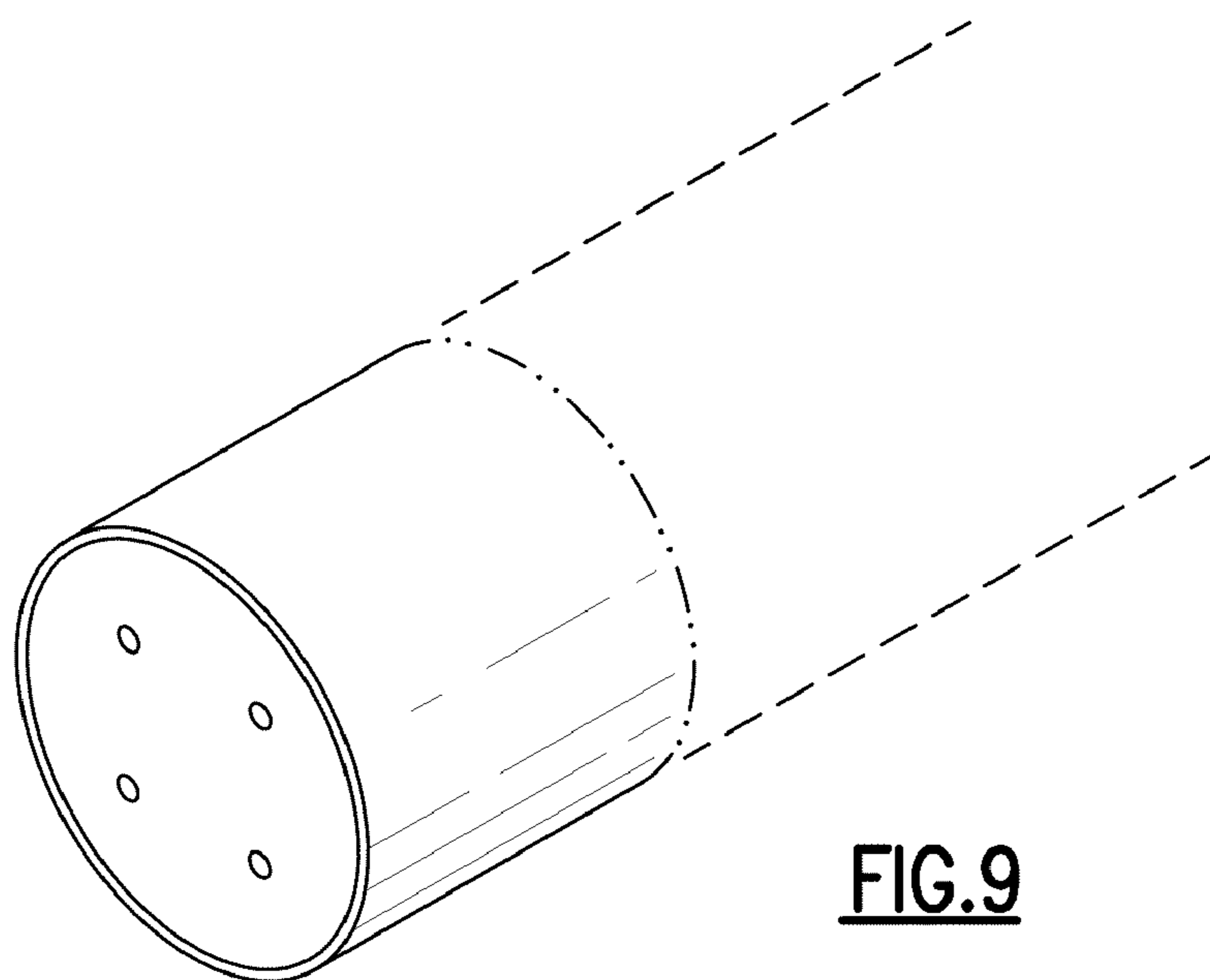


FIG. 9

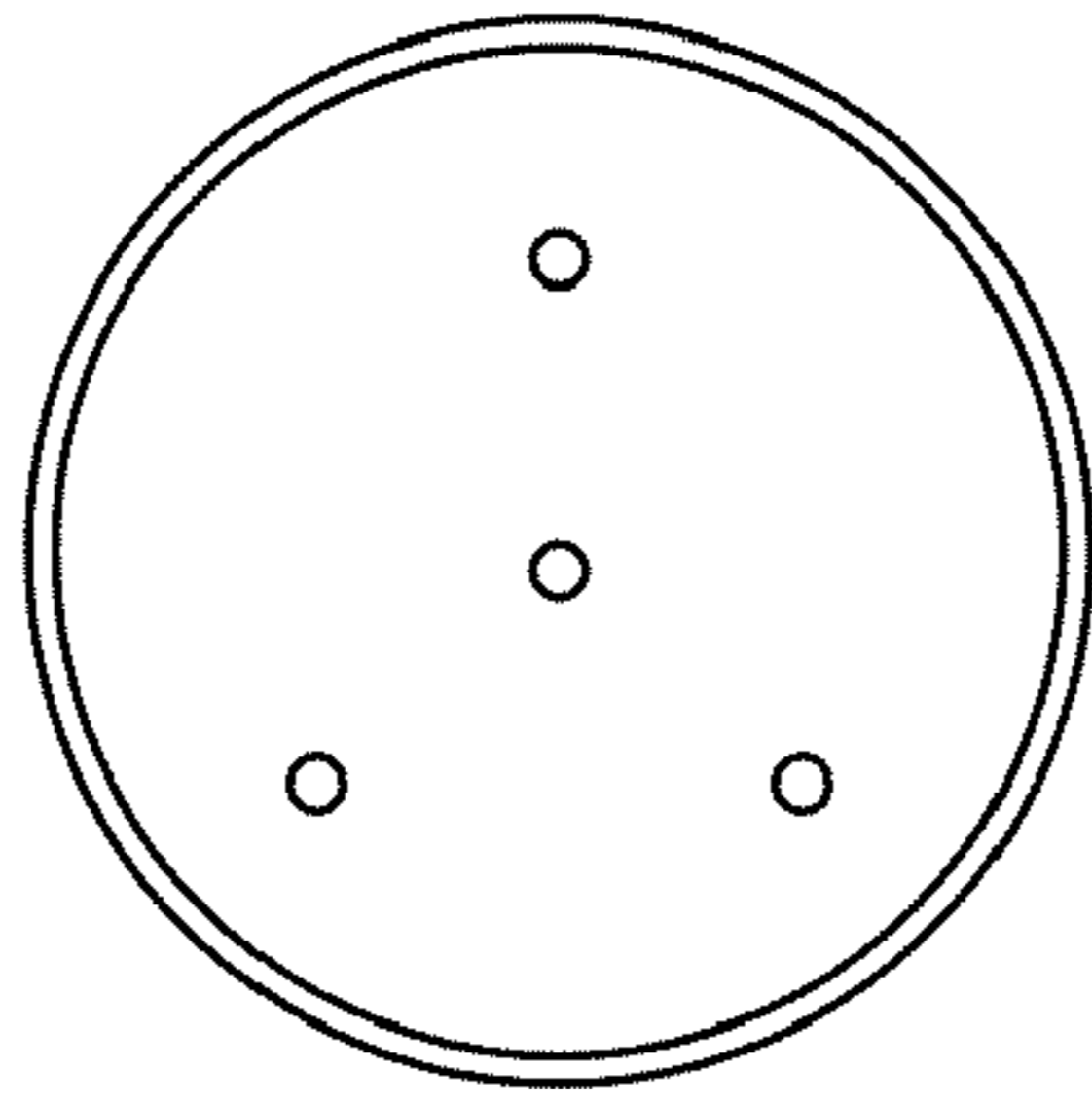


FIG. 10

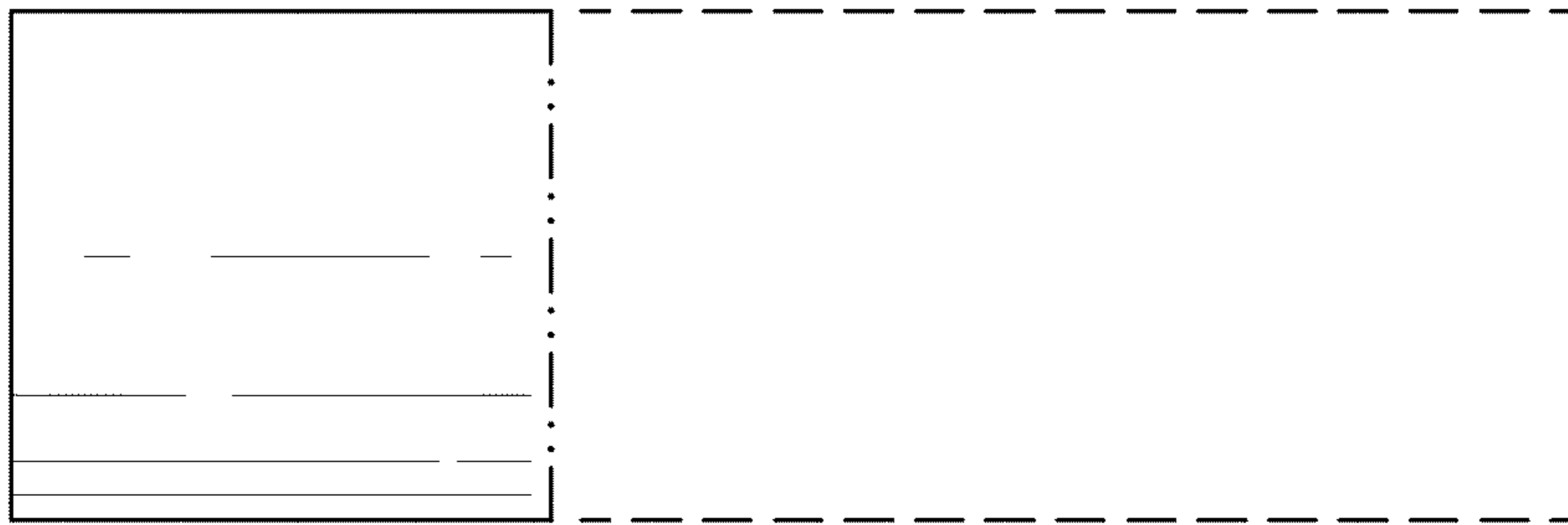


FIG. 11

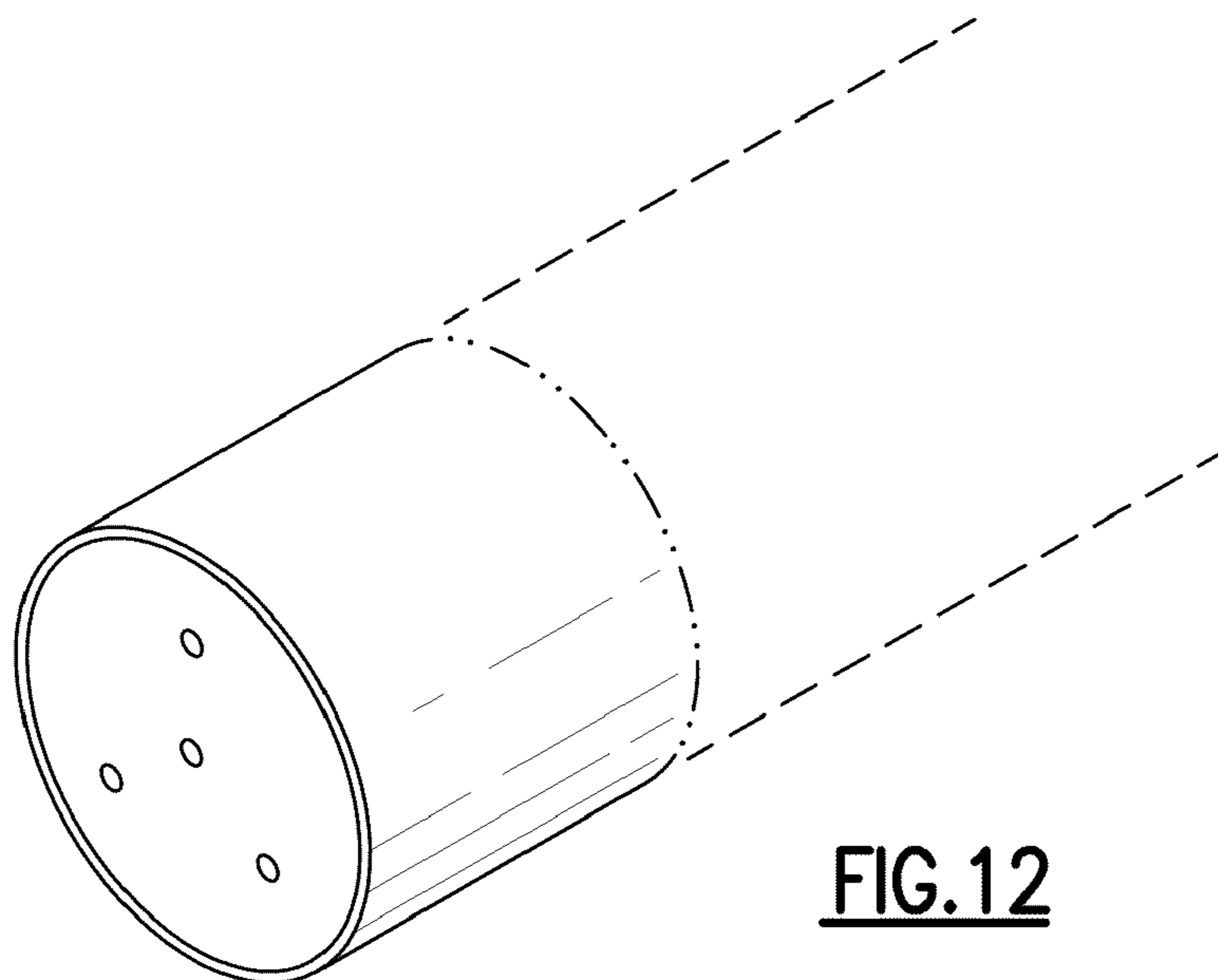


FIG. 12

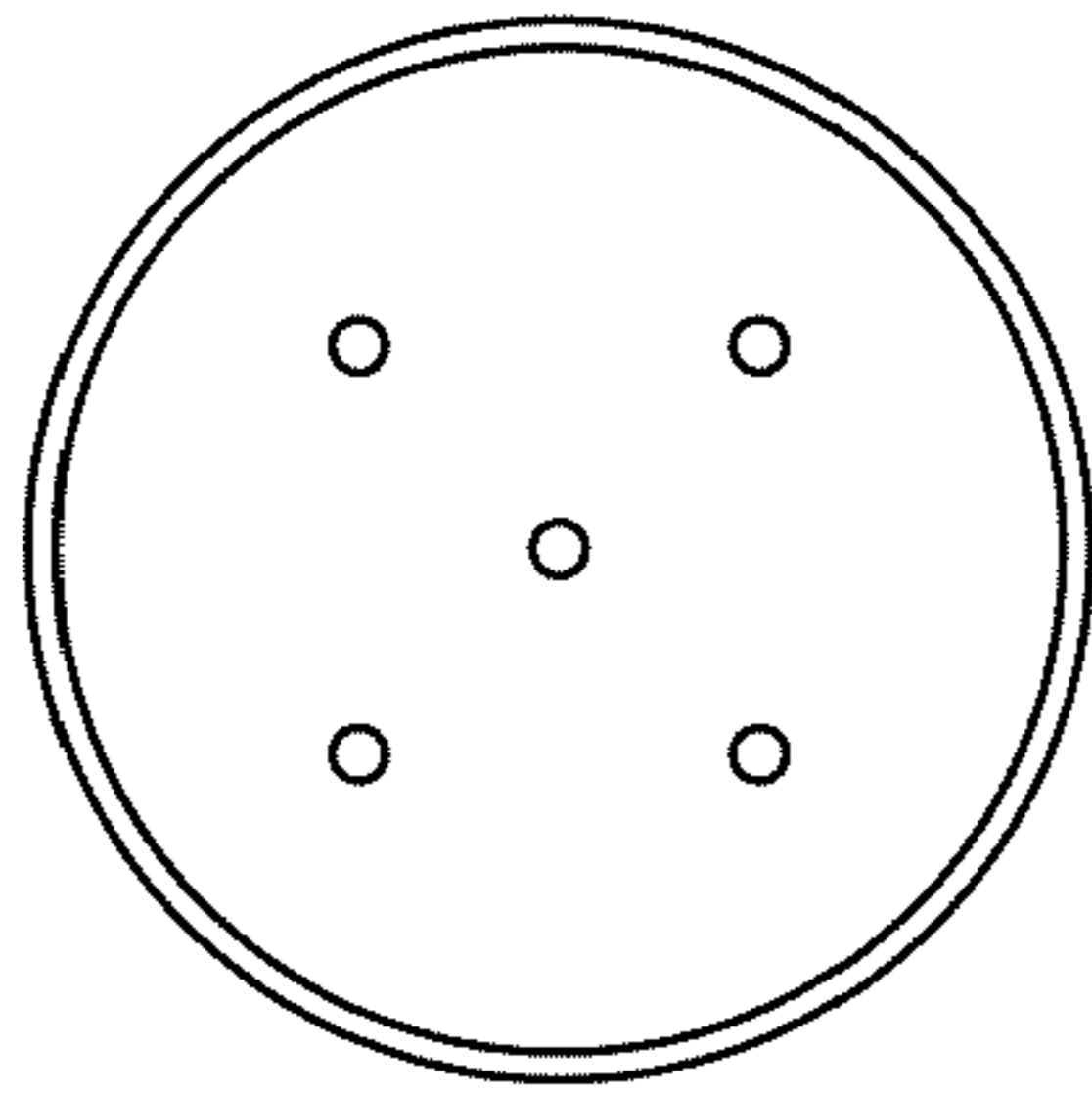


FIG. 13

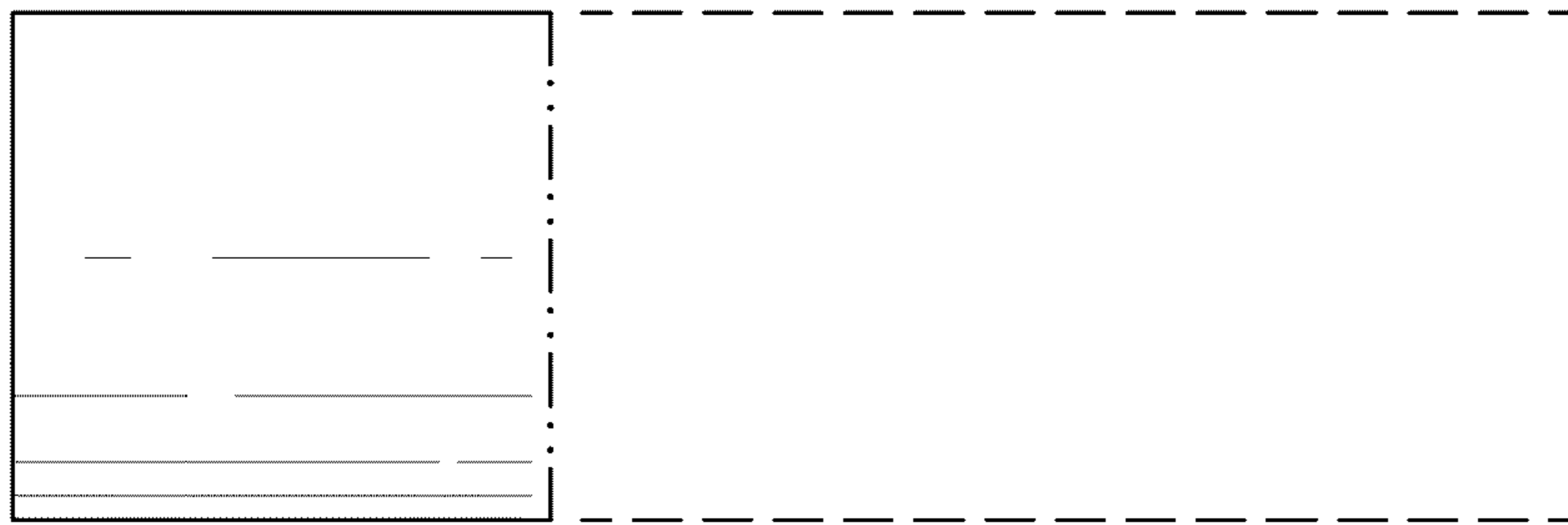


FIG. 14

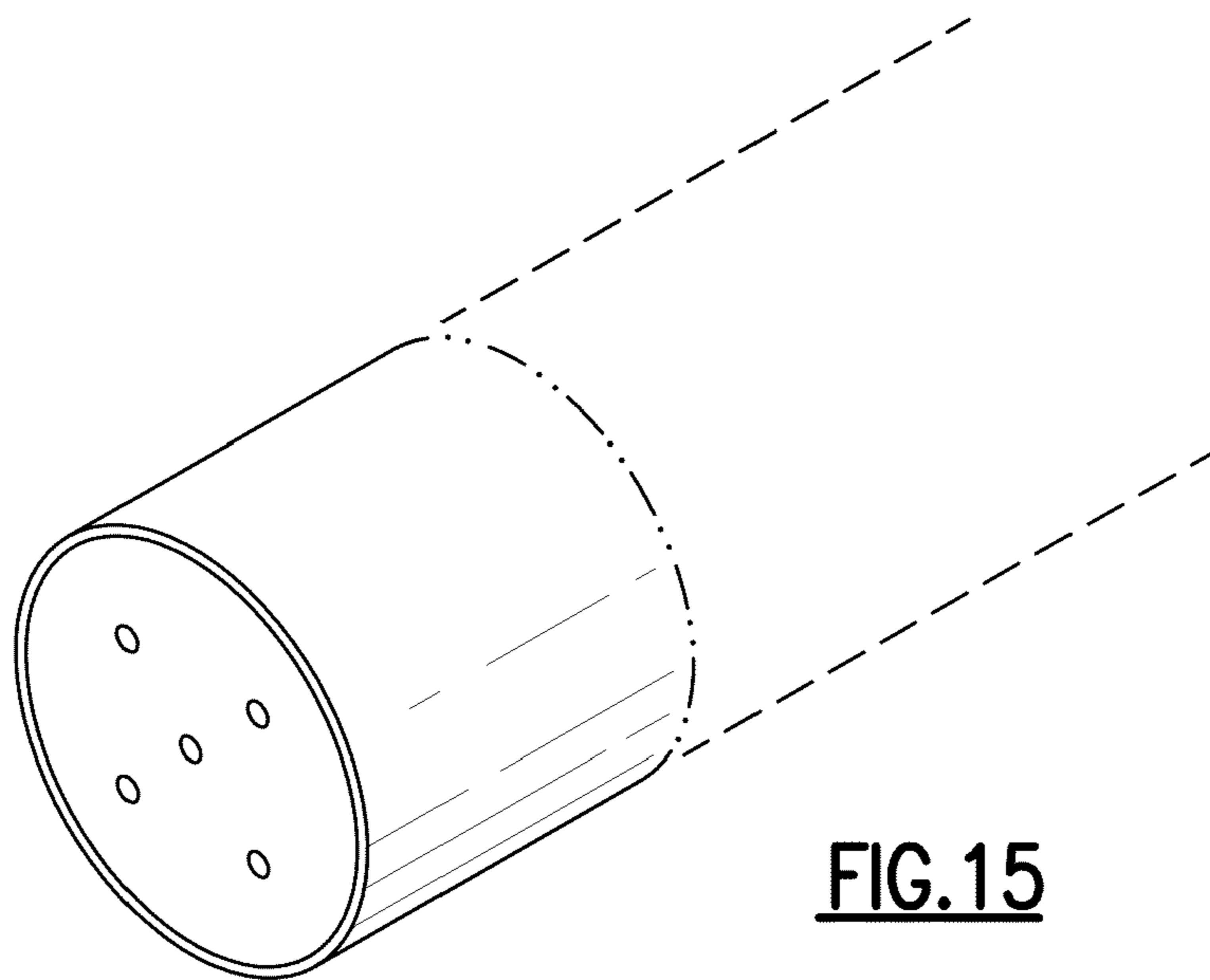


FIG. 15