



US00D651337S

(12) **United States Design Patent**
Bryman

(10) **Patent No.:** **US D651,337 S**

(45) **Date of Patent:** **** *Dec. 27, 2011**

(54) **MODULAR SMOKING IMPLEMENT**

(76) Inventor: **Gary Bryman**, Los Angeles, CA (US)

(*) Notice: This patent is subject to a terminal disclaimer.

(**) Term: **14 Years**

(21) Appl. No.: **29/381,540**

(22) Filed: **Dec. 20, 2010**

(51) **LOC (9) Cl.** **27-06**

(52) **U.S. Cl.** **D27/172**

(58) **Field of Classification Search** 131/179,
131/191, 351, 194, 331, 349, 256, 347, 172,
131/365, 335, 361, 364, 215.1, 215.3, 202,
131/205, 163, 180, 181, 162, 173, 330, 186,
131/187; D27/163, 165, 101, 100, 172, 161,
D27/187, 170

See application file for complete search history.

(56) **References Cited**

U.S. PATENT DOCUMENTS

D258,540 S *	3/1981	Kotuby et al.	D27/194
D277,034 S *	1/1985	Ramsdell	D27/187
D283,734 S *	5/1986	Parren	D27/153
D401,012 S *	11/1998	Montoya	D27/187
6,736,143 B2 *	5/2004	Rennecamp	131/240.1
D527,139 S *	8/2006	Deahl	D27/129
D617,495 S *	6/2010	LoRe	D27/172

D617,942 S *	6/2010	LoRe	D27/172
D618,392 S *	6/2010	LoRe	D27/172
2009/0145448 A1 *	6/2009	Worlock et al.	131/185

* cited by examiner

Primary Examiner — Cathron C. Brooks

Assistant Examiner — Kevin Rudzinski

(74) *Attorney, Agent, or Firm* — J. Curtis Edmondson

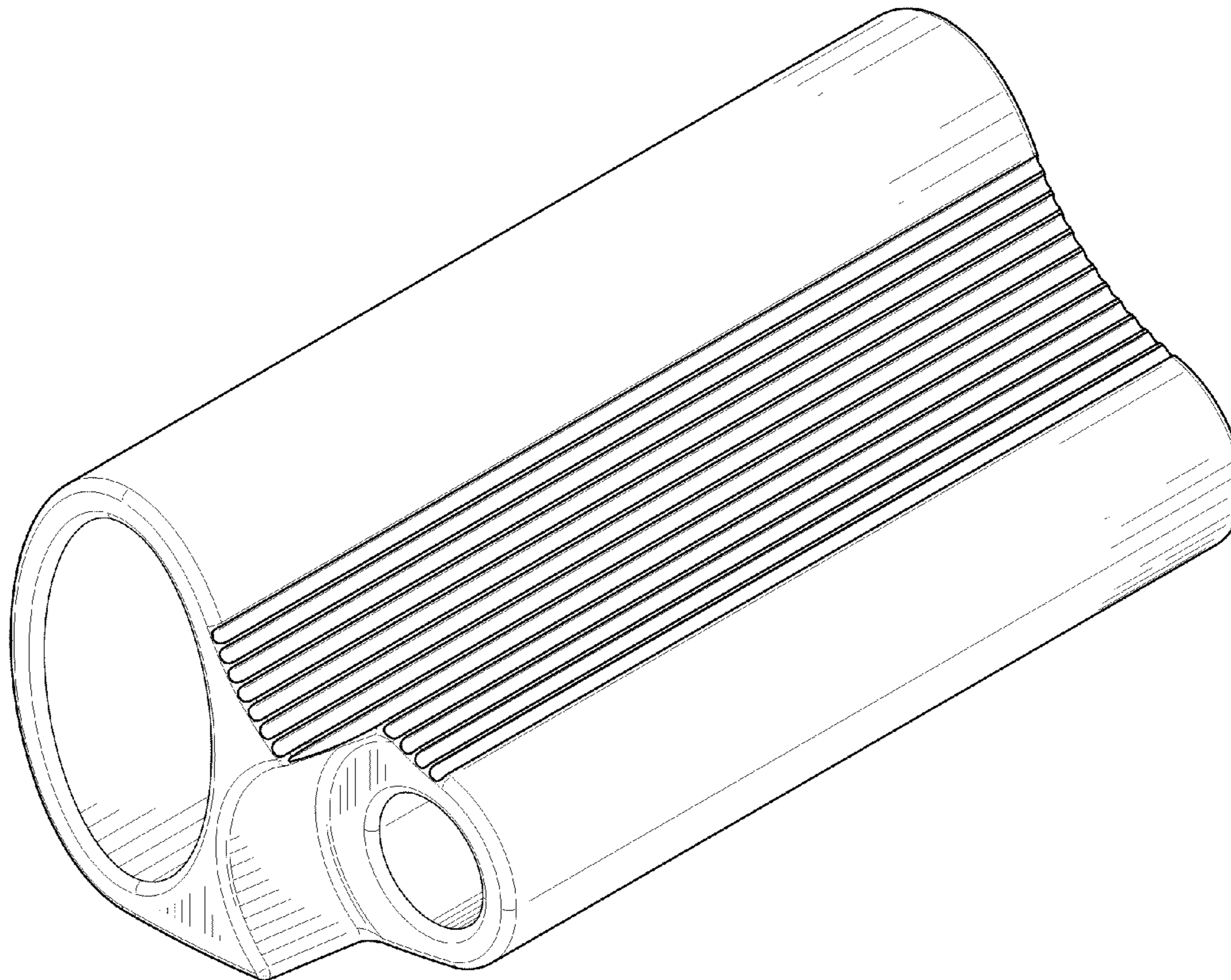
(57) **CLAIM**

We claim the ornamental design for a modular smoking implement, as shown and described.

DESCRIPTION

FIG. 1 is a top front perspective view of our new design;
FIG. 2 is a top left perspective view thereof;
FIG. 3 is a top rear perspective view thereof;
FIG. 4 is a top right perspective view thereof;
FIG. 5 is a bottom front perspective view thereof;
FIG. 6 is a bottom left perspective view thereof;
FIG. 7 is a bottom rear perspective view thereof;
FIG. 8 is a bottom right perspective view thereof;
FIG. 9 is a front side view thereof;
FIG. 10 is a rear side view thereof;
FIG. 11 is a right side view thereof;
FIG. 12 is a left side view thereof;
FIG. 13 is a top view thereof; and,
FIG. 14 is a bottom view thereof.

1 Claim, 14 Drawing Sheets



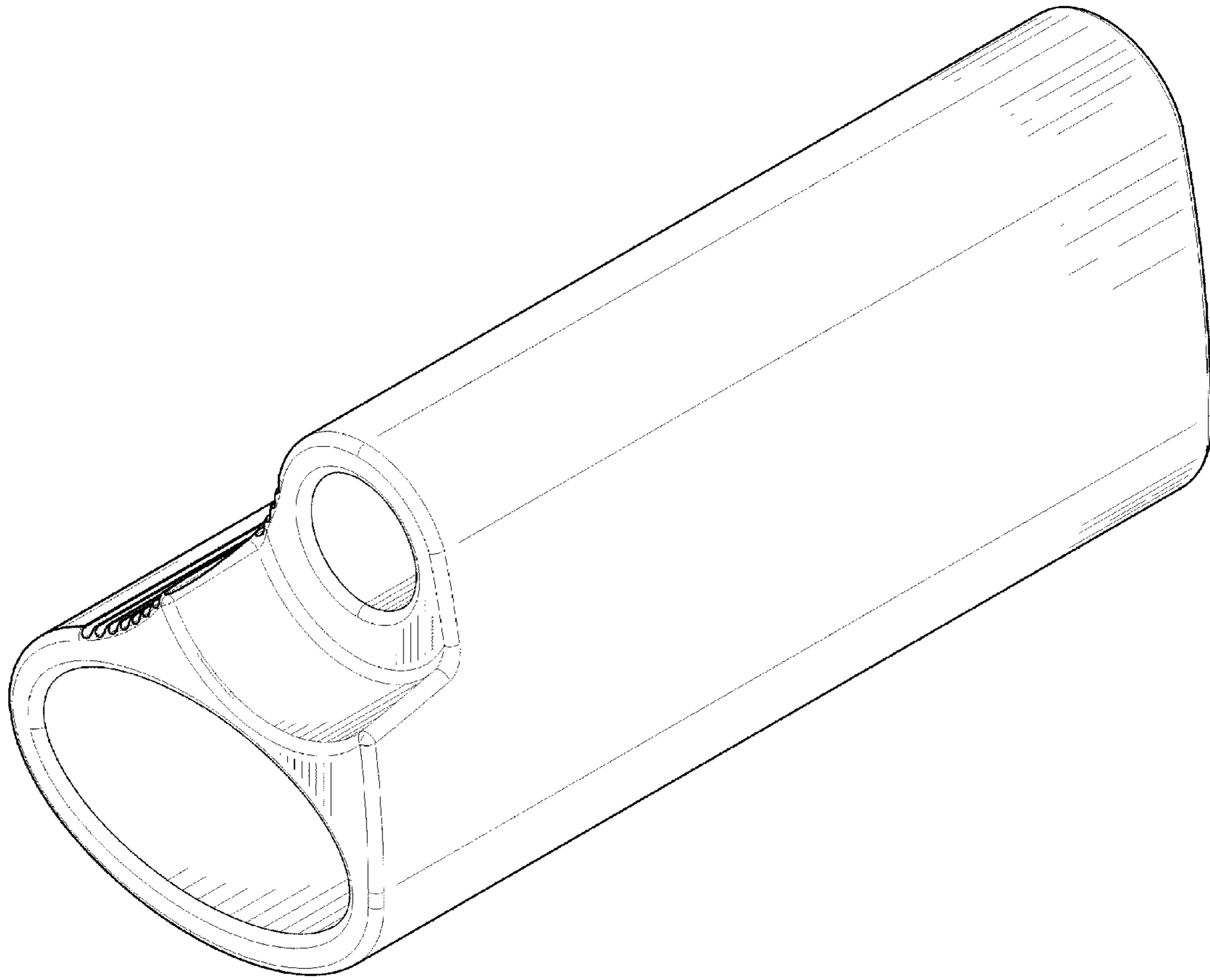


FIG.1

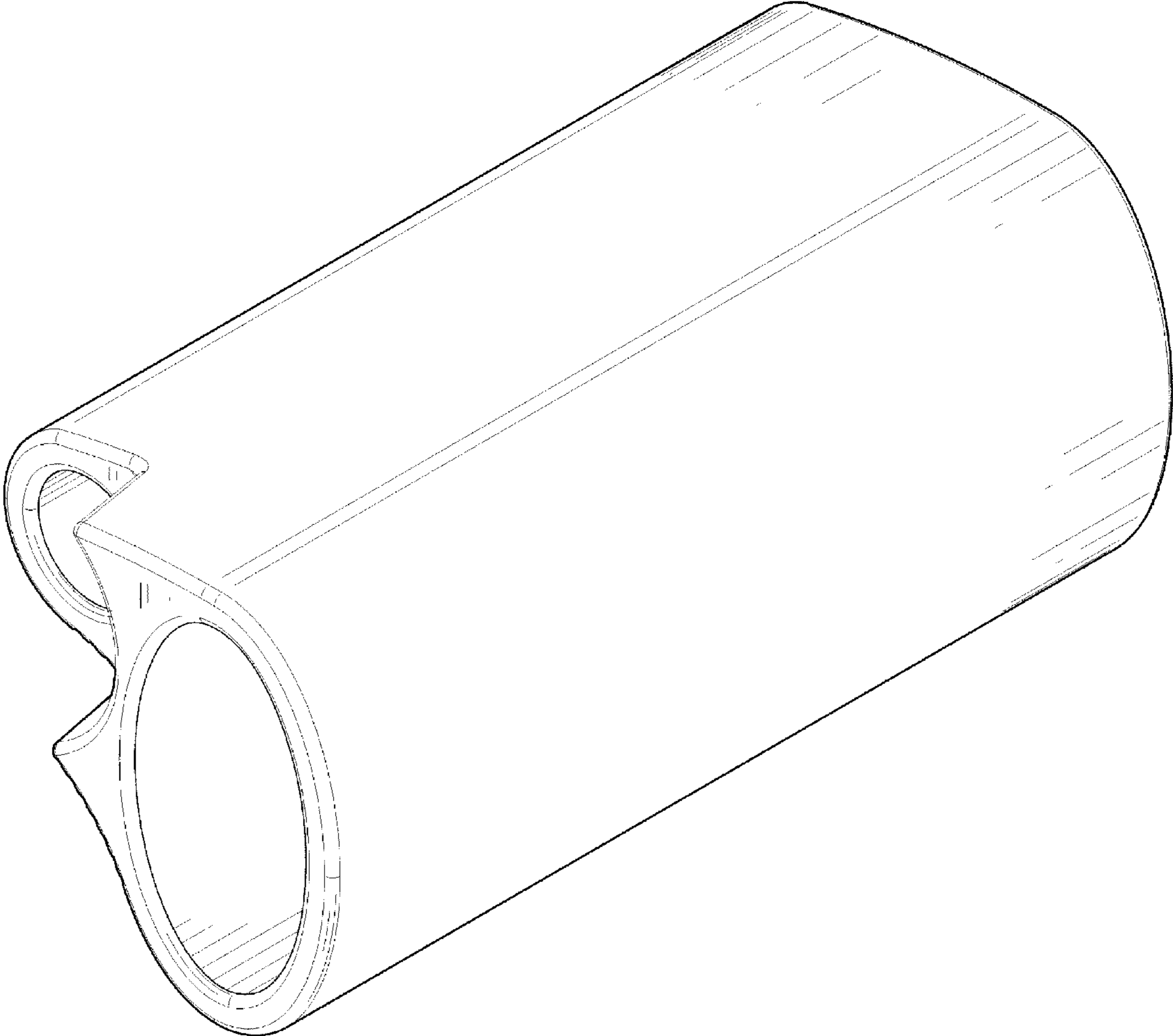


FIG.2

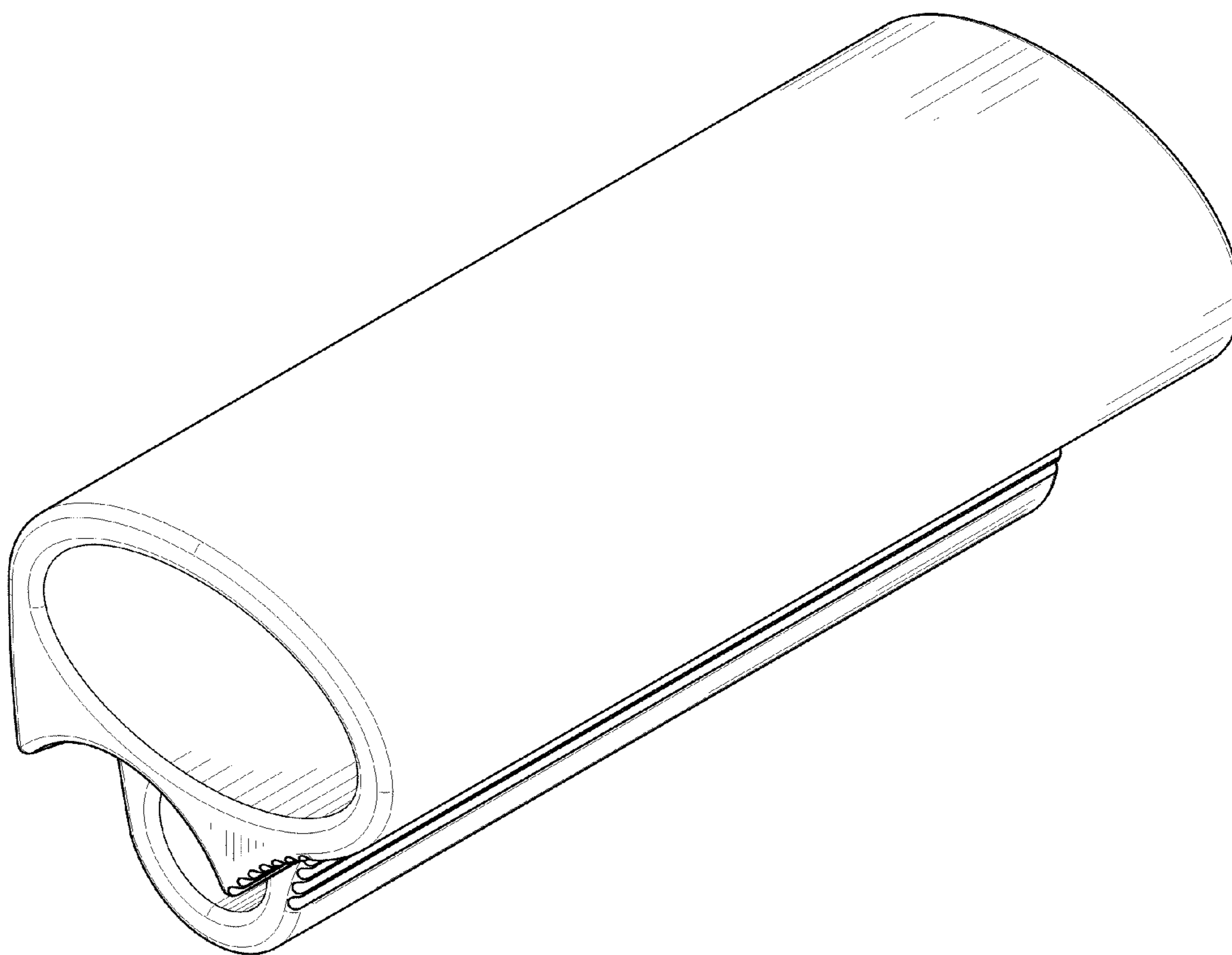


FIG.3

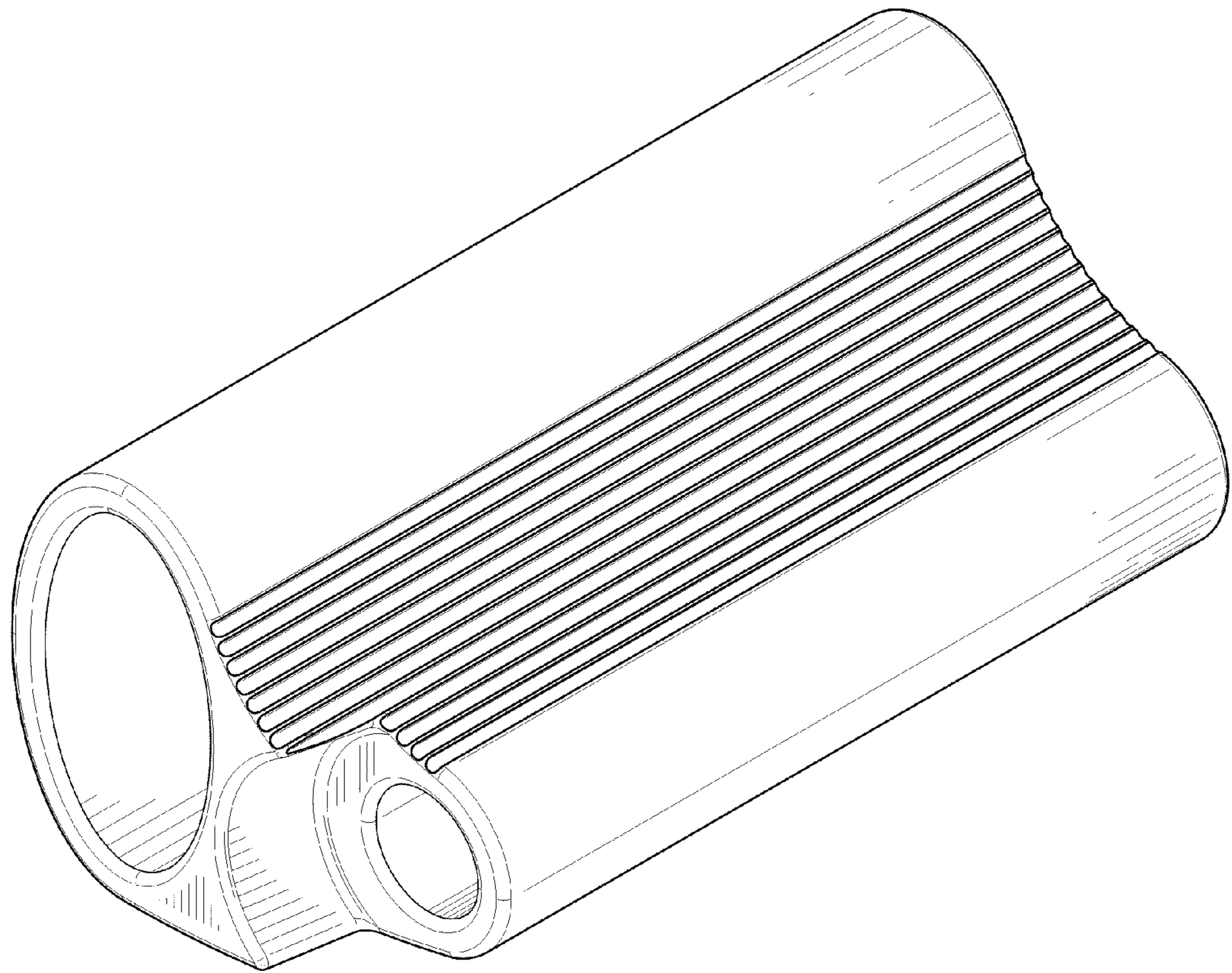


FIG.4

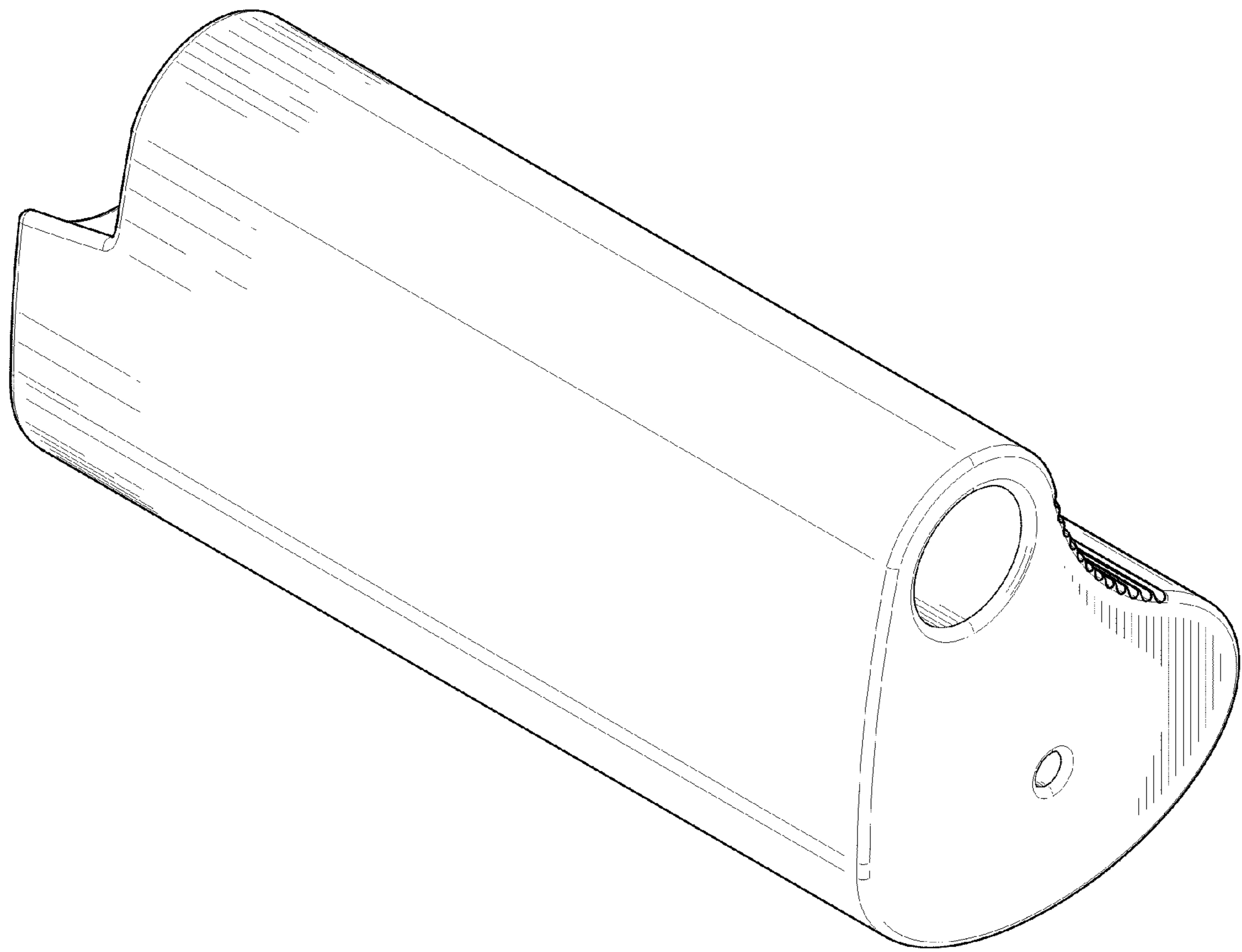


FIG.5

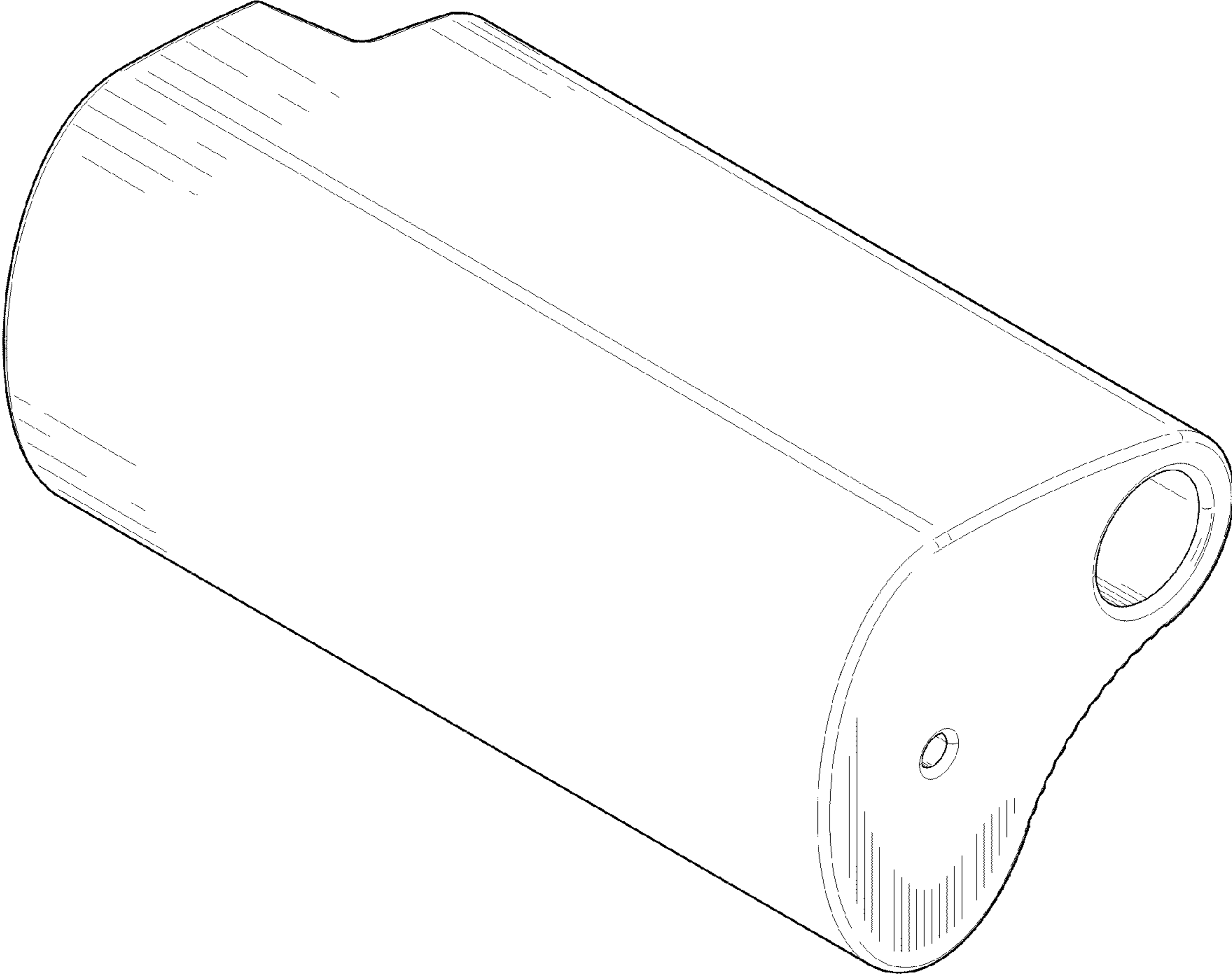


FIG.6

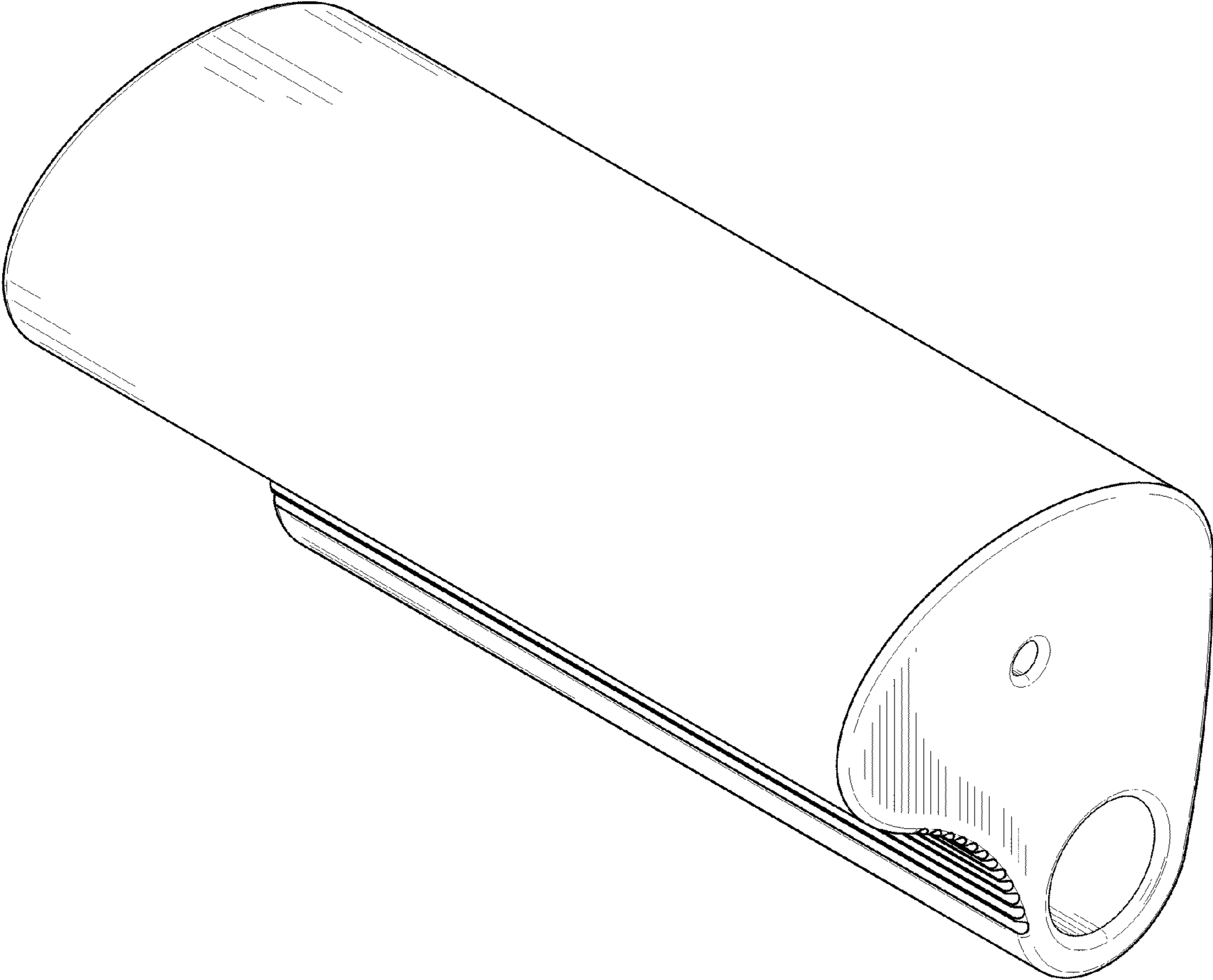


FIG.7

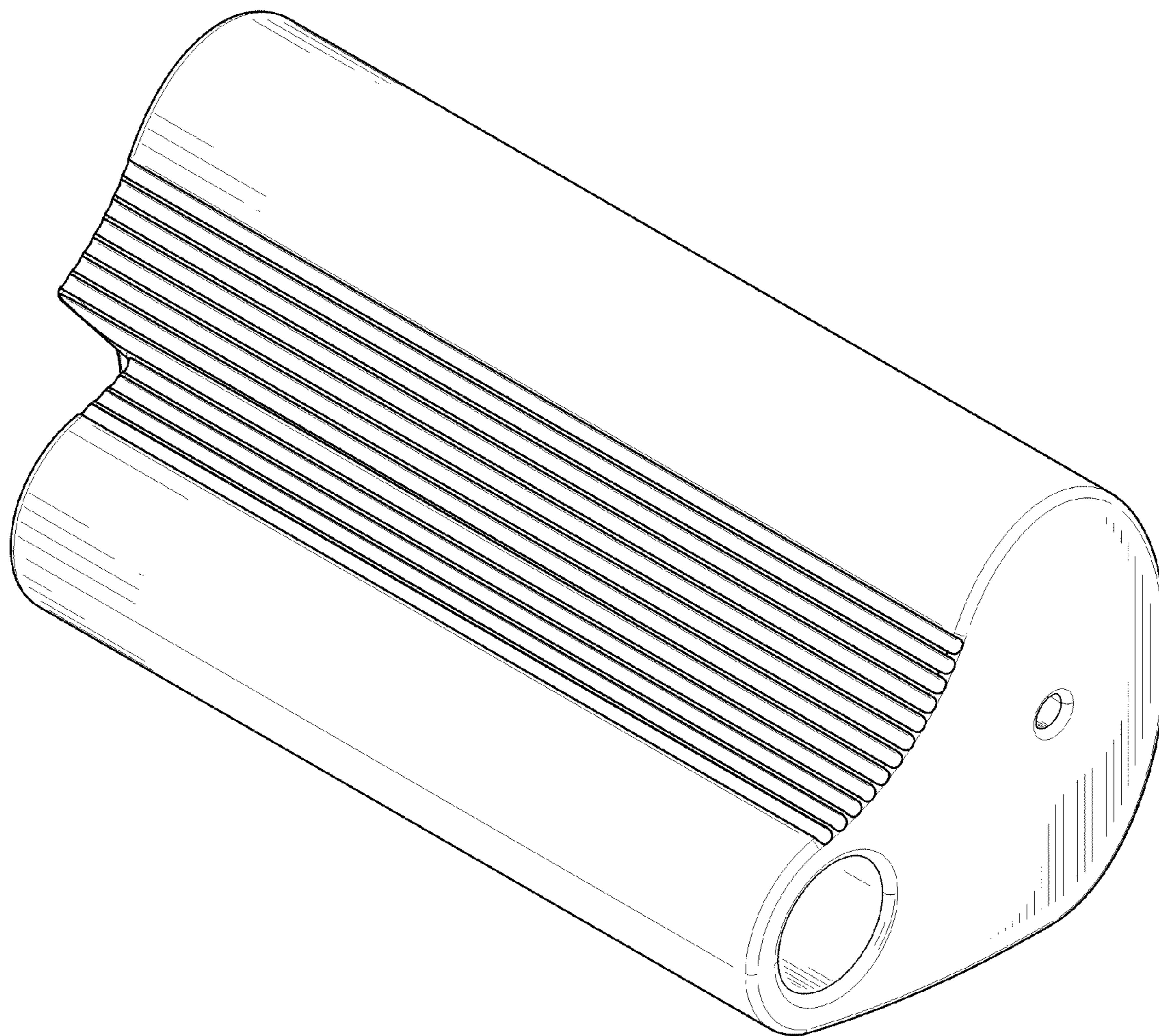


FIG.8

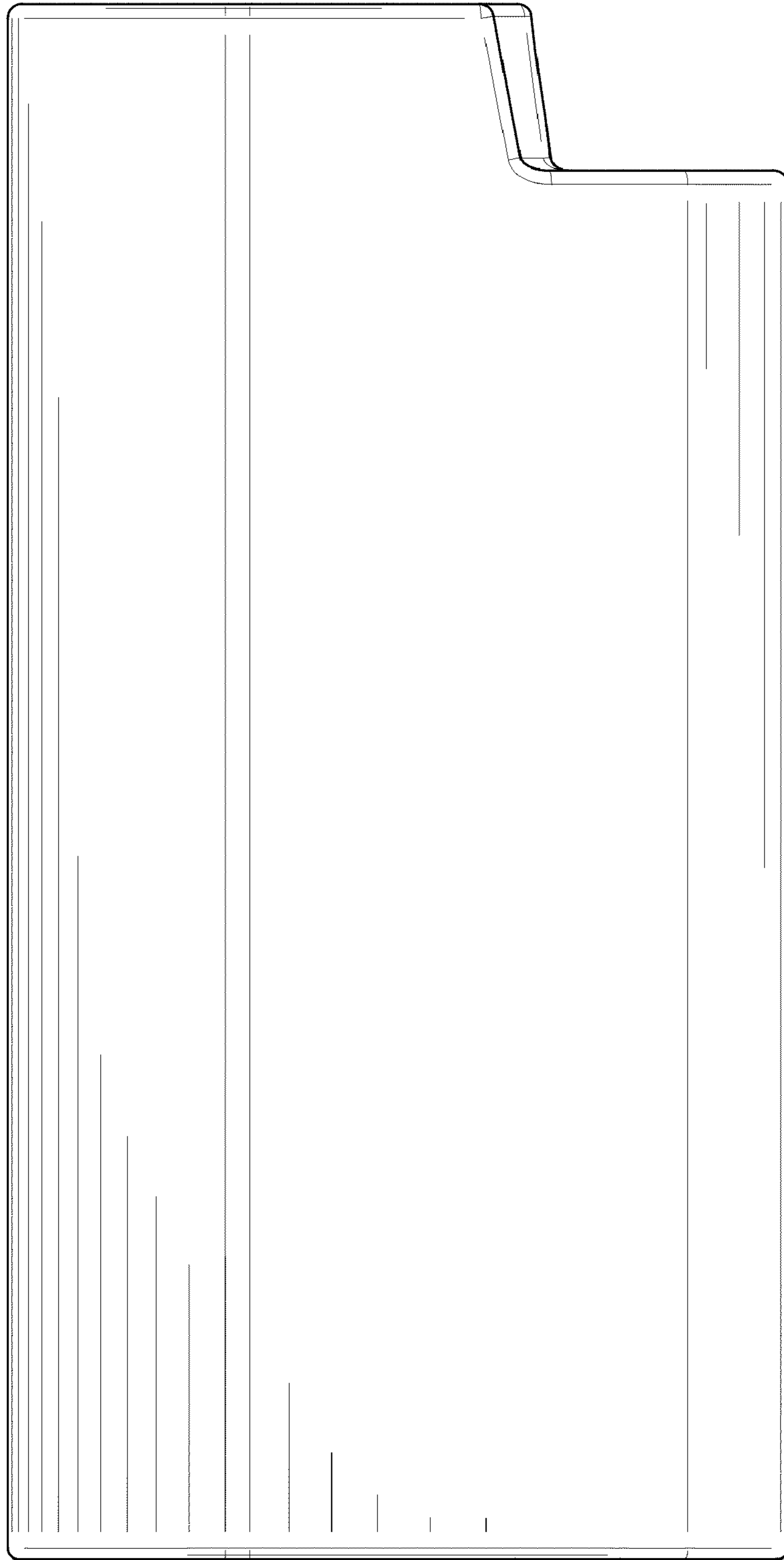


FIG.9

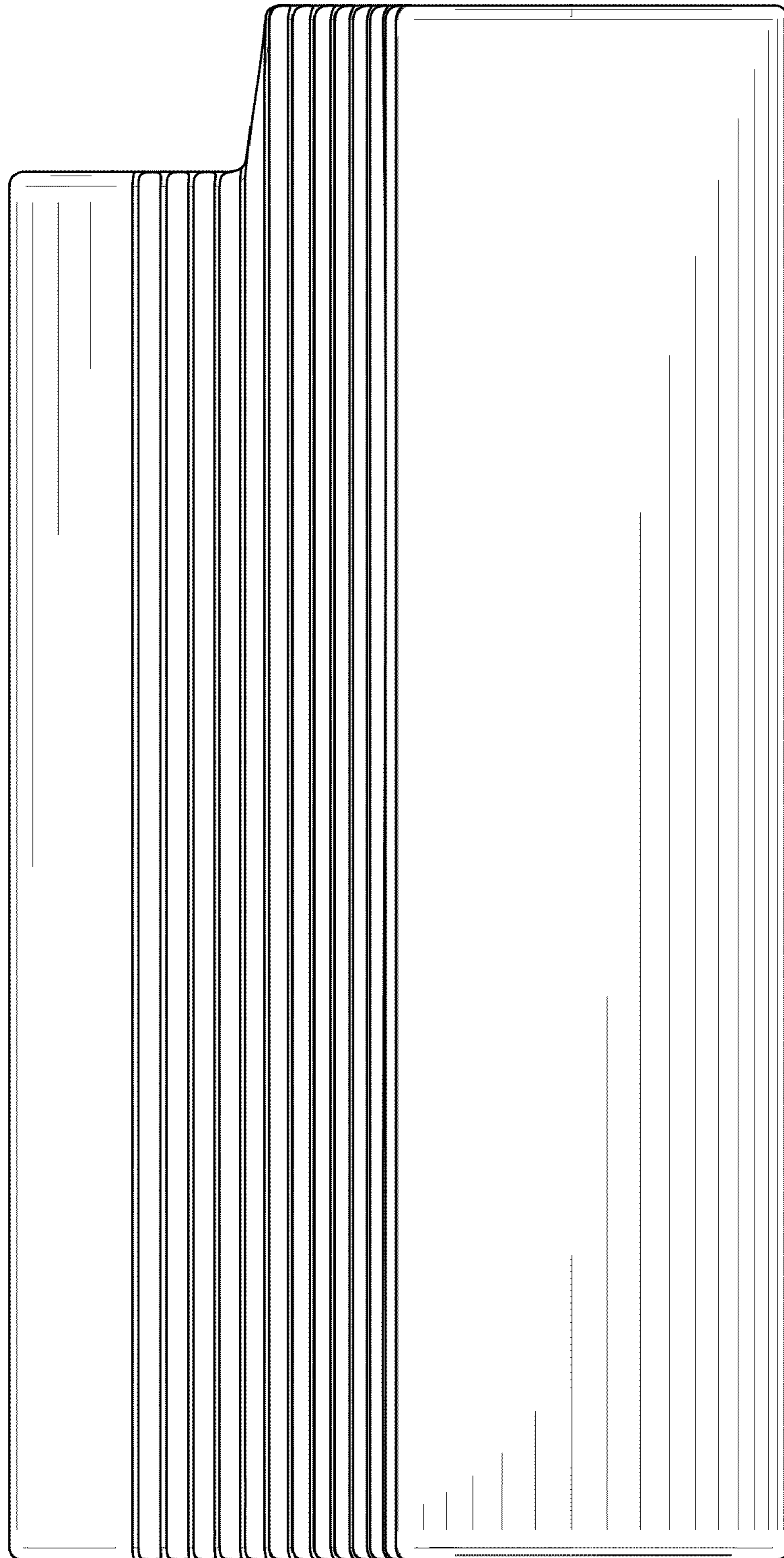


FIG.10

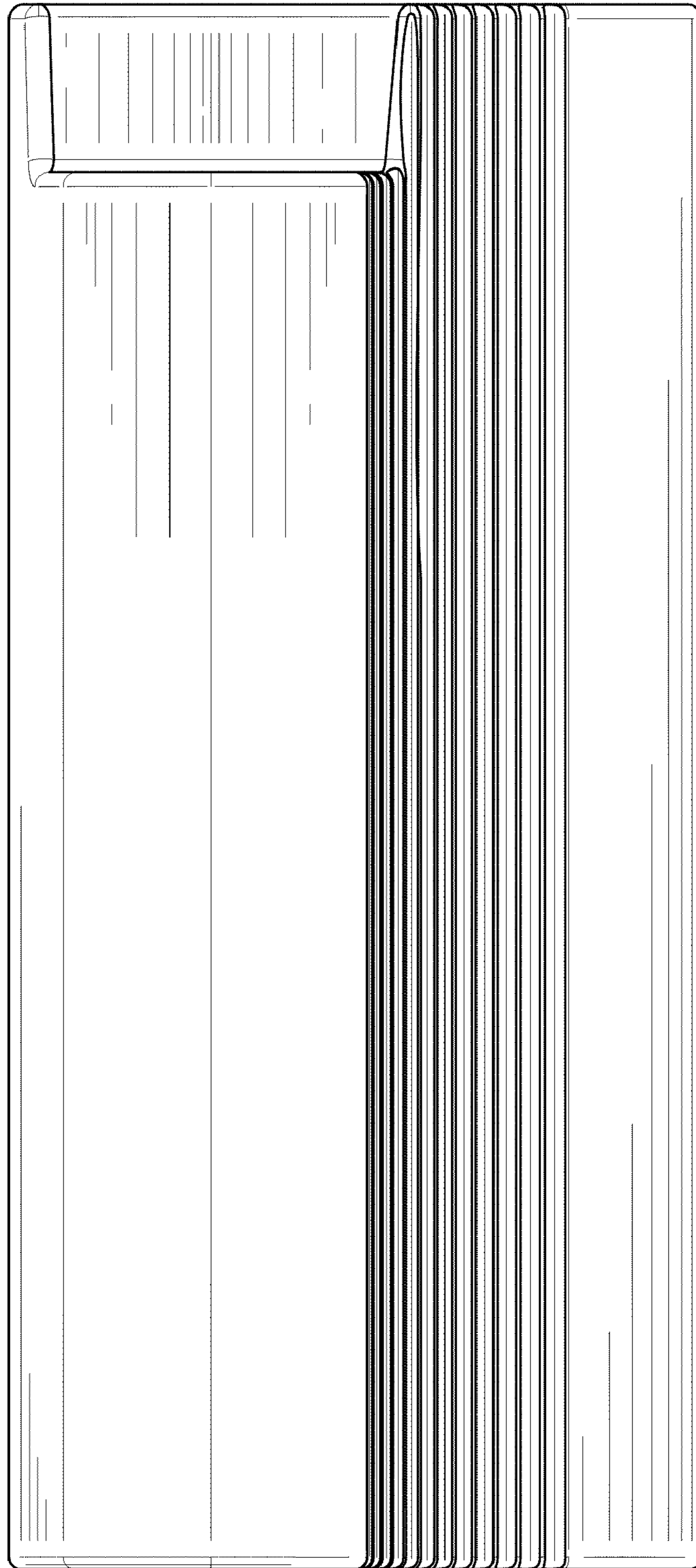


FIG.11

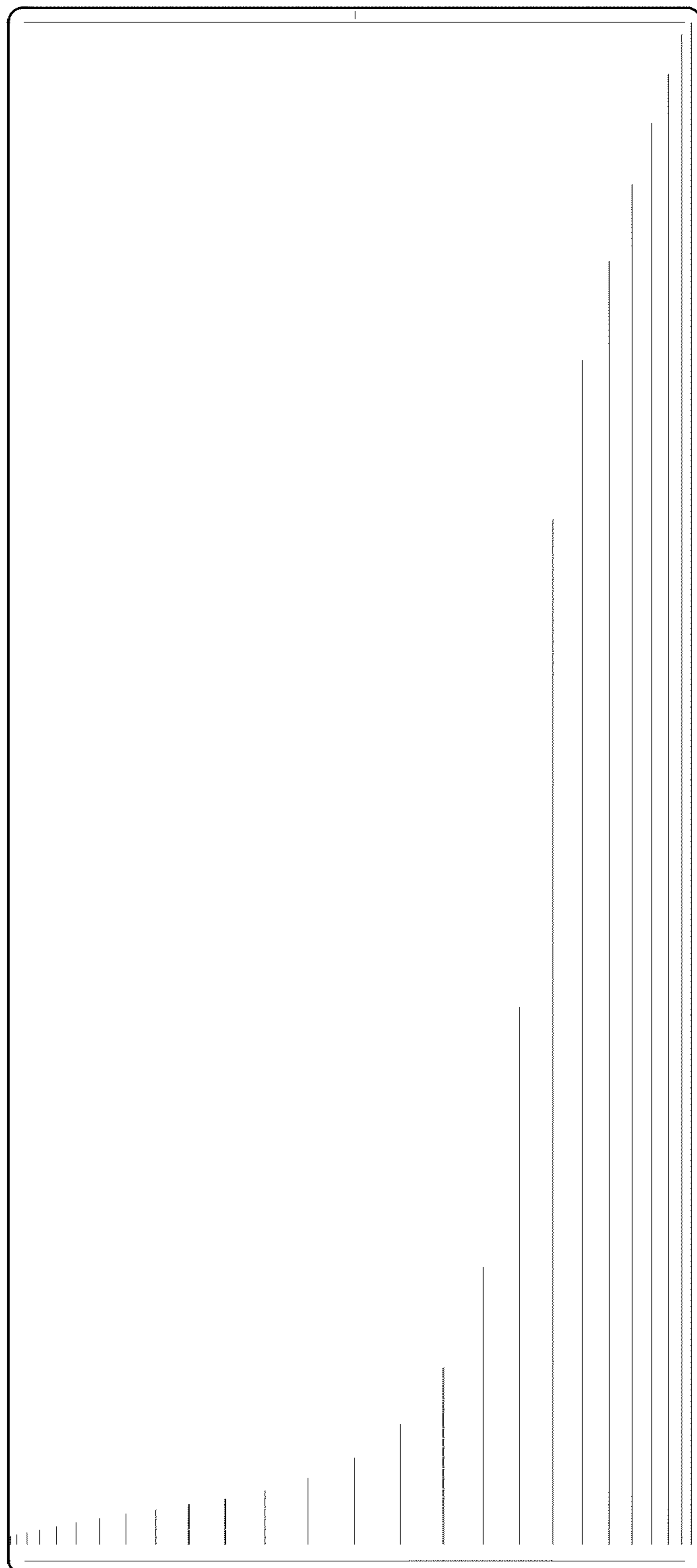


FIG.12

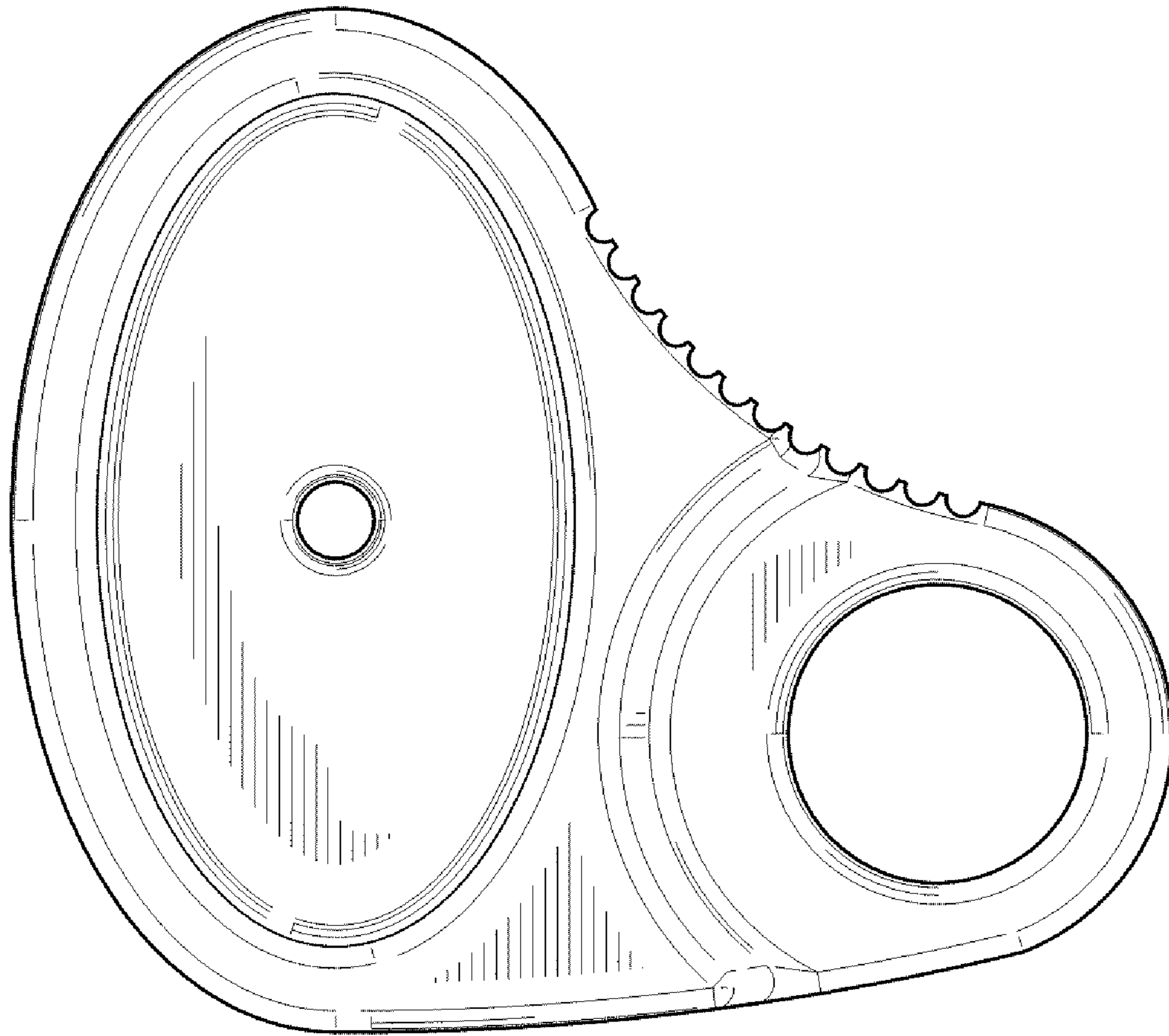


FIG. 13

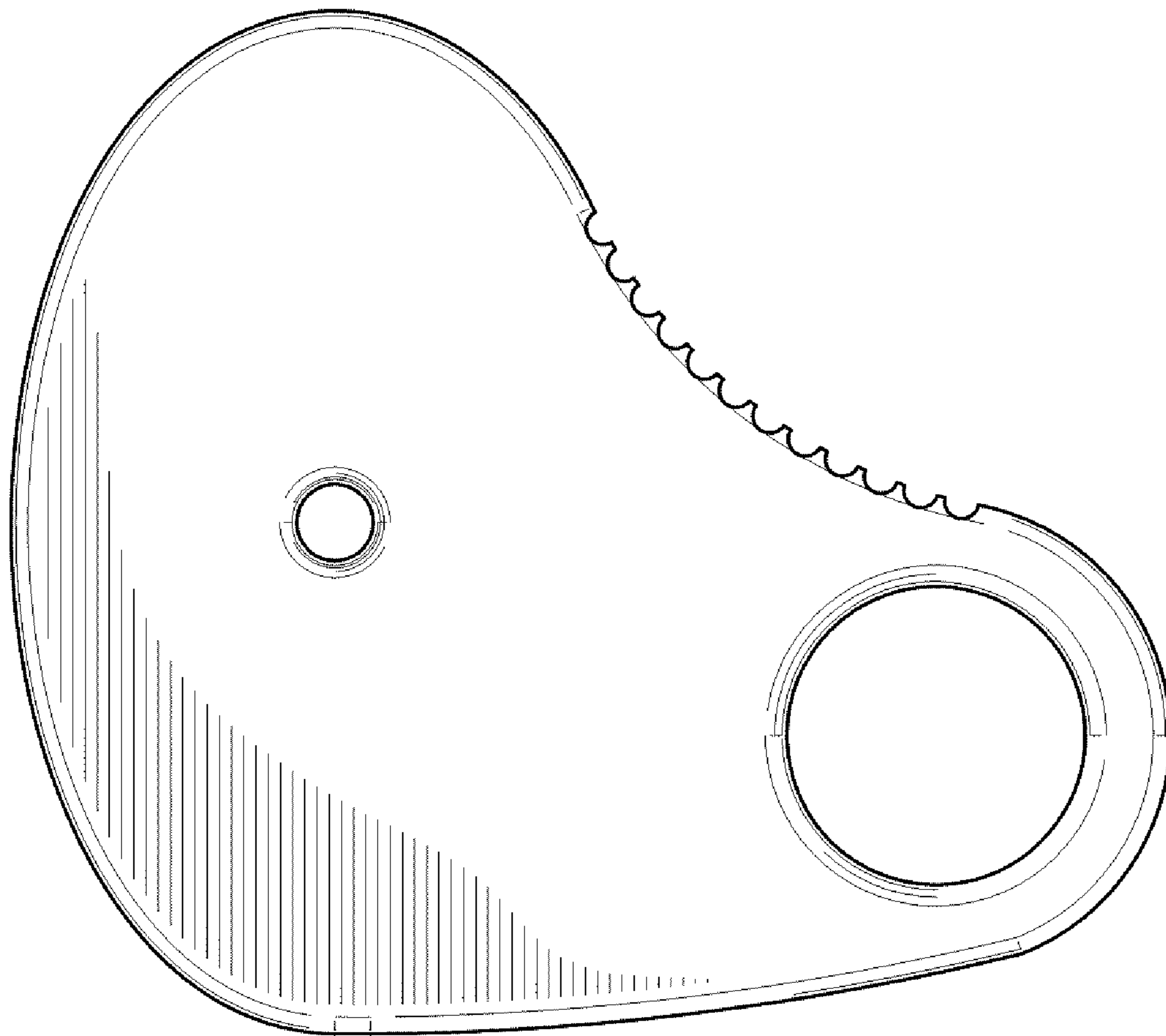


FIG.14