



US00D651335S

(12) **United States Design Patent**  
**Chen**

(10) **Patent No.:** **US D651,335 S**

(45) **Date of Patent:** **\*\* Dec. 27, 2011**

(54) **MOSAIC SOLAR LAMP**

(75) Inventor: **Chi Gon Chen**, Guang Zhou (CN)

(73) Assignee: **International Development LLC**,  
Roanoke, TX (US)

(\*\*) Term: **14 Years**

(21) Appl. No.: **29/389,511**

(22) Filed: **Apr. 12, 2011**

(51) **LOC (9) Cl.** ..... **26-05**

(52) **U.S. Cl.** ..... **D26/63; D26/68**

(58) **Field of Classification Search** ..... D26/60-68,  
D26/71, 85, 128-135; 362/153, 153.1, 183,  
362/269-271, 276-278, 282, 284, 806, 273,  
362/285, 287, 289, 418, 427, 431

See application file for complete search history.

(56) **References Cited**

U.S. PATENT DOCUMENTS

D439,693	S	*	3/2001	Milicia	.....	D26/68
D459,824	S	*	7/2002	Leen	.....	D26/73
D638,969	S	*	5/2011	Chen	.....	D26/67
D638,972	S	*	5/2011	Chen	.....	D26/67

D639,988	S	*	6/2011	Chen	.....	D26/67
D639,989	S	*	6/2011	Chen	.....	D26/67
D639,990	S	*	6/2011	Chen	.....	D26/67

\* cited by examiner

*Primary Examiner* — Susan M Lee

*Assistant Examiner* — Linda G. Brooks

(74) *Attorney, Agent, or Firm* — Brian Harris

(57) **CLAIM**

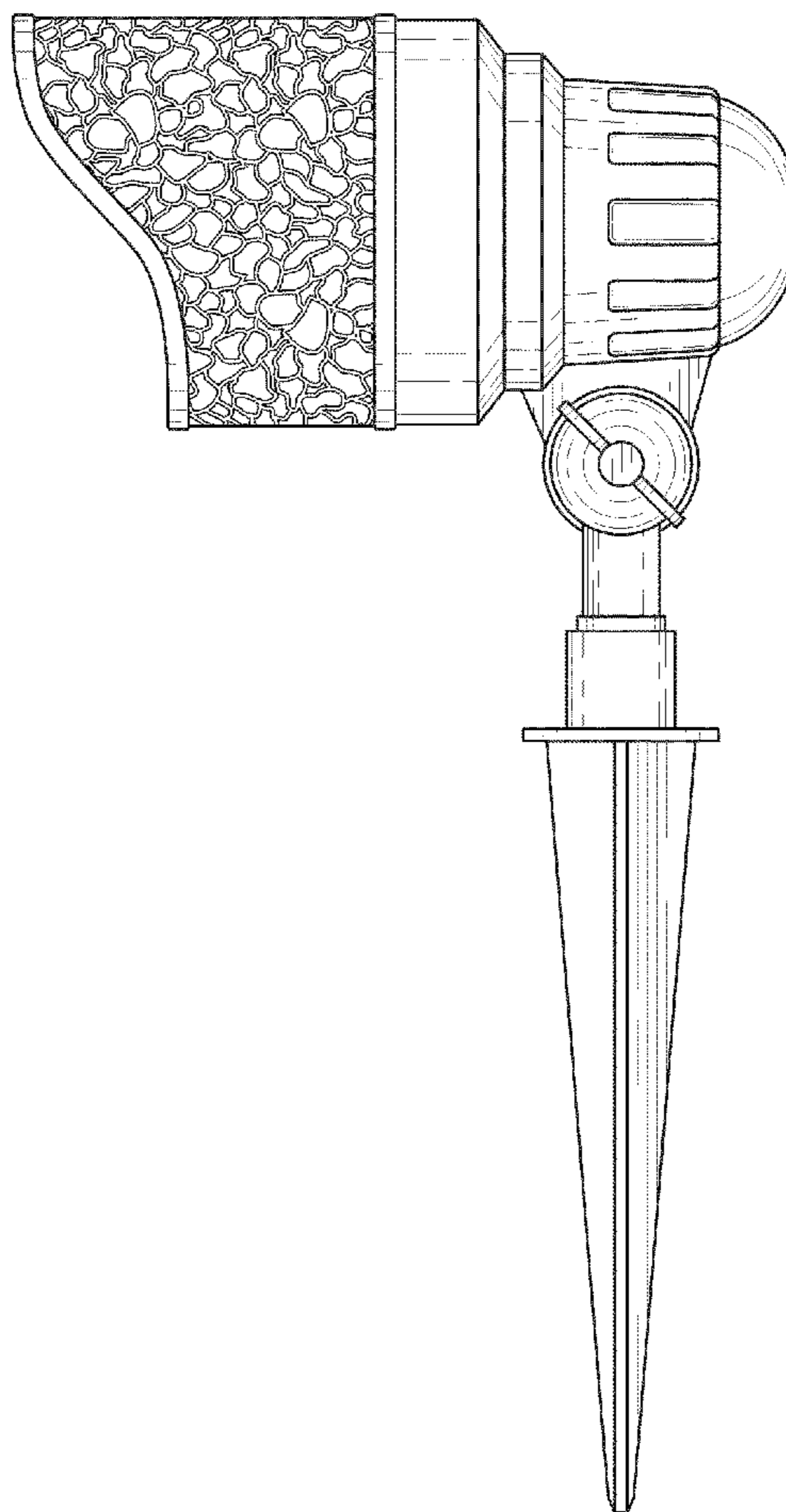
The ornamental design for a mosaic solar lamp, as shown and described.

**DESCRIPTION**

FIG. 1 is a perspective view of the mosaic solar lamp of the present invention;  
FIG. 2 is a front elevation view thereof;  
FIG. 3 is a rear elevation view thereof;  
FIG. 4 is a left side elevation view thereof;  
FIG. 5 is a right side elevation view thereof;  
FIG. 6 is a bottom plan view thereof; and,  
FIG. 7 is a top plan view thereof.

The broken lines represent that the interior surface of the mosaic lamp housing forms no part of the claimed design.

**1 Claim, 3 Drawing Sheets**



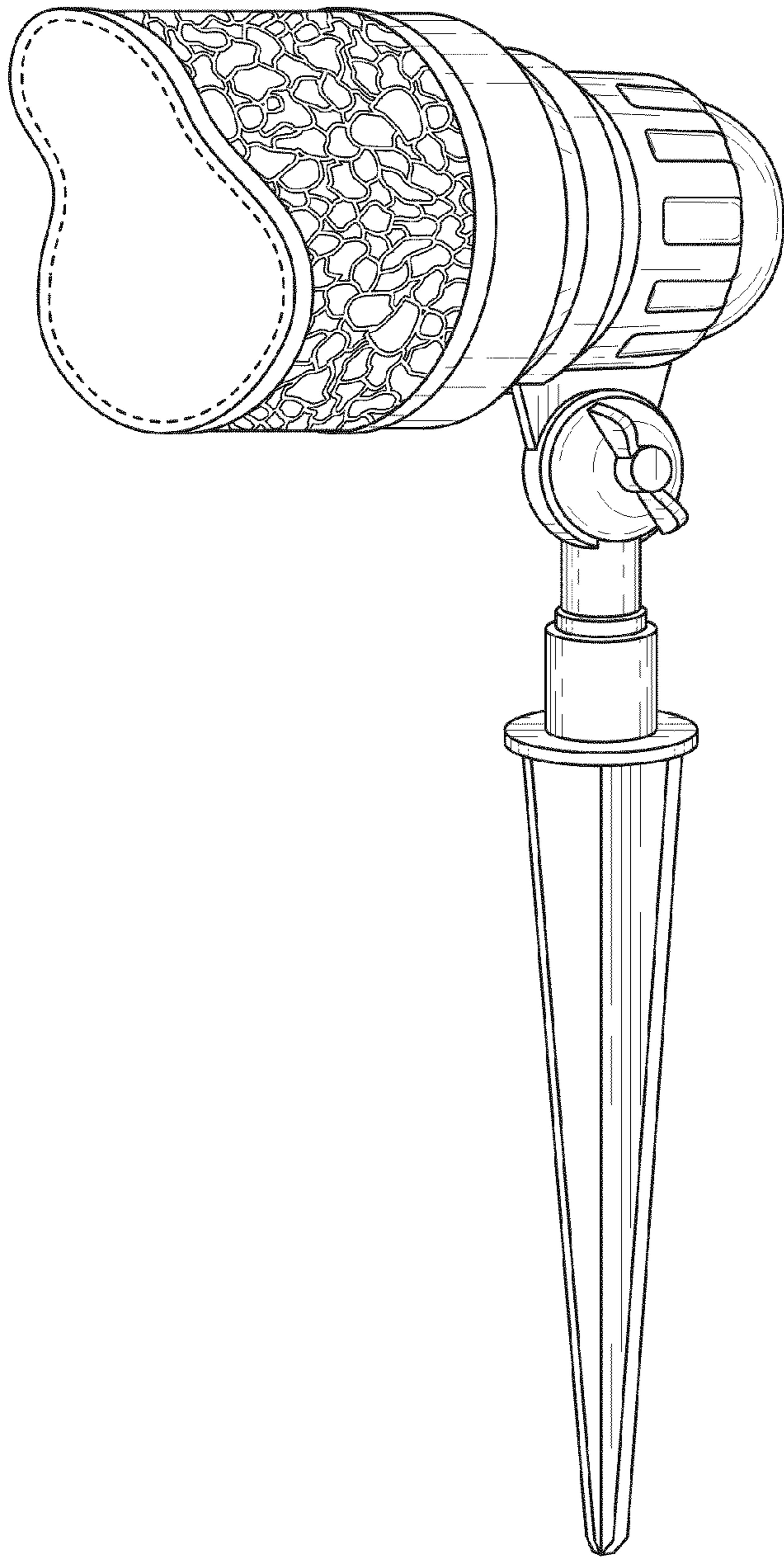


FIG. 1

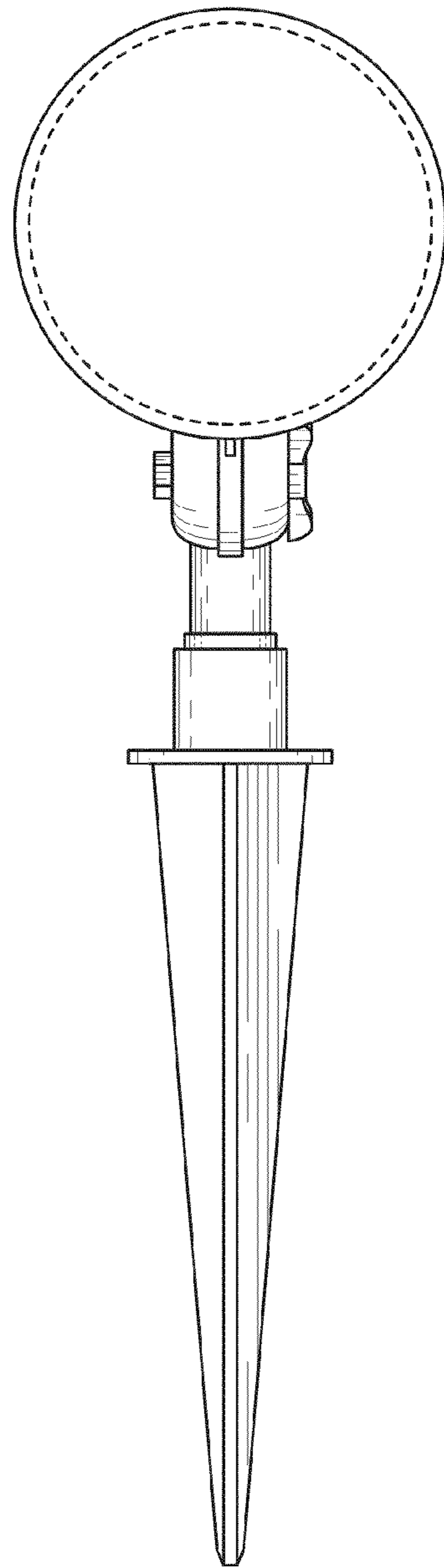
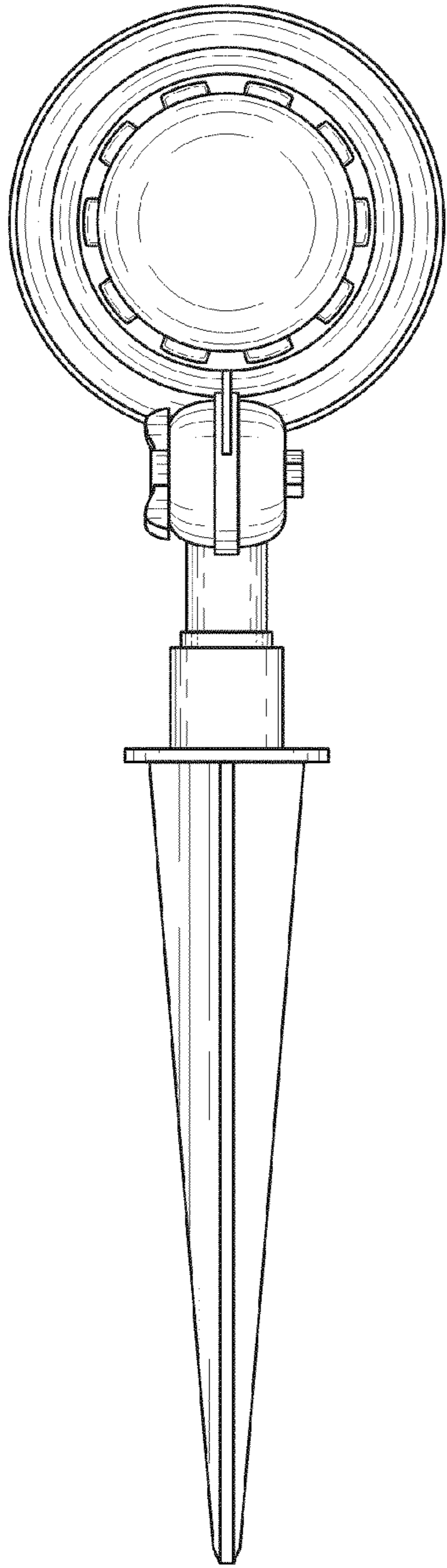
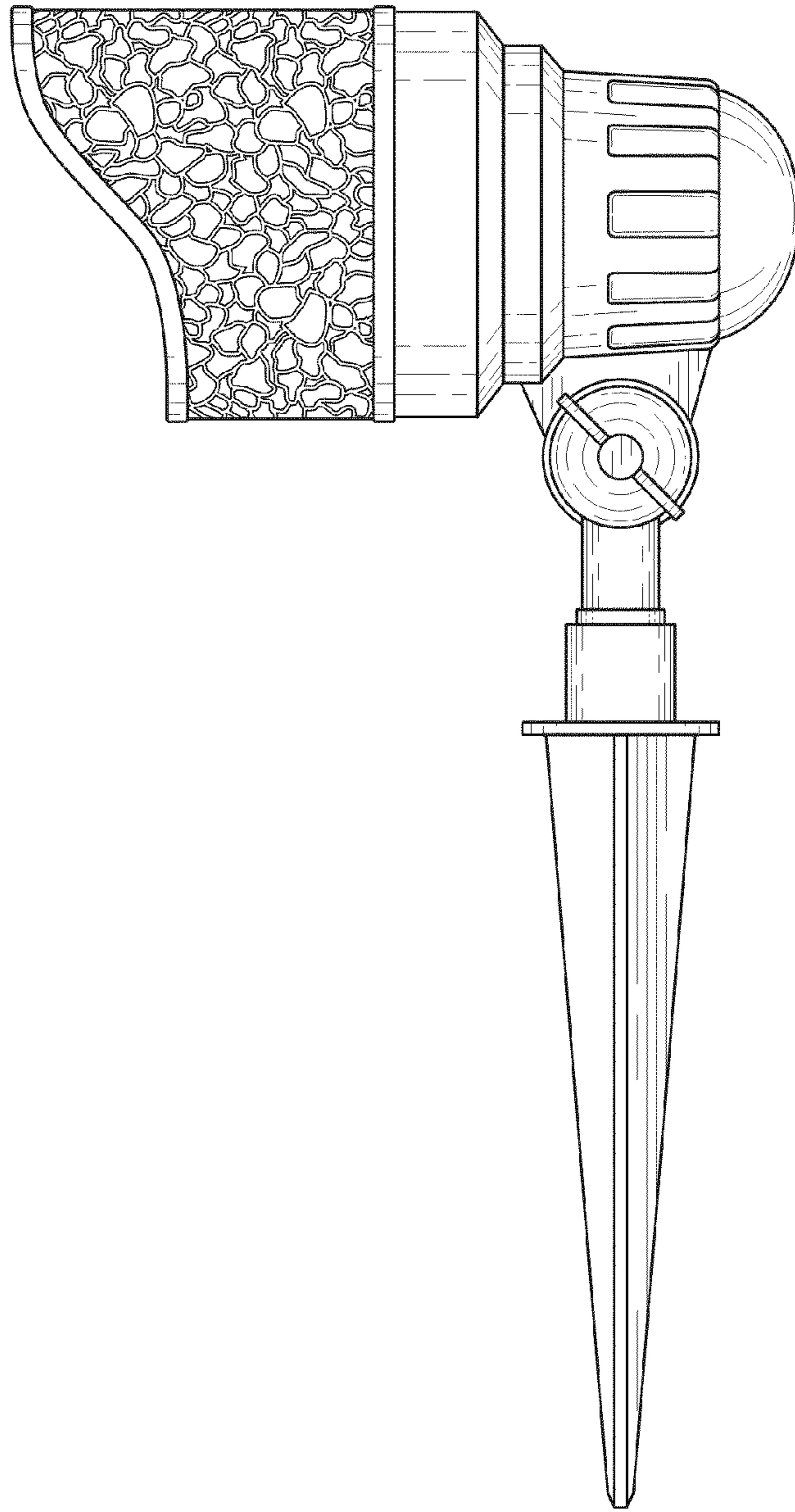


FIG. 2



**FIG. 3**



**FIG. 4**

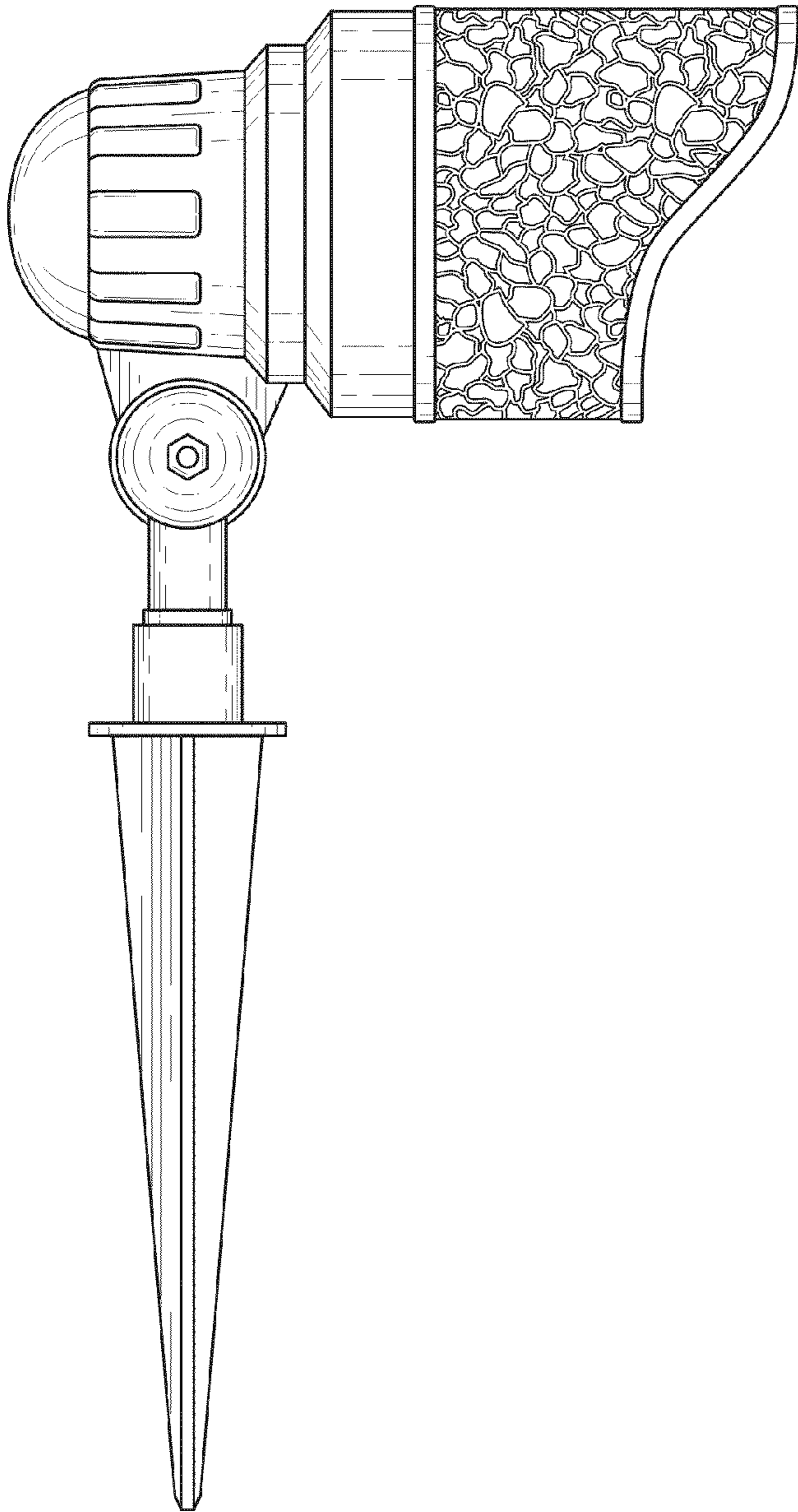


FIG. 5

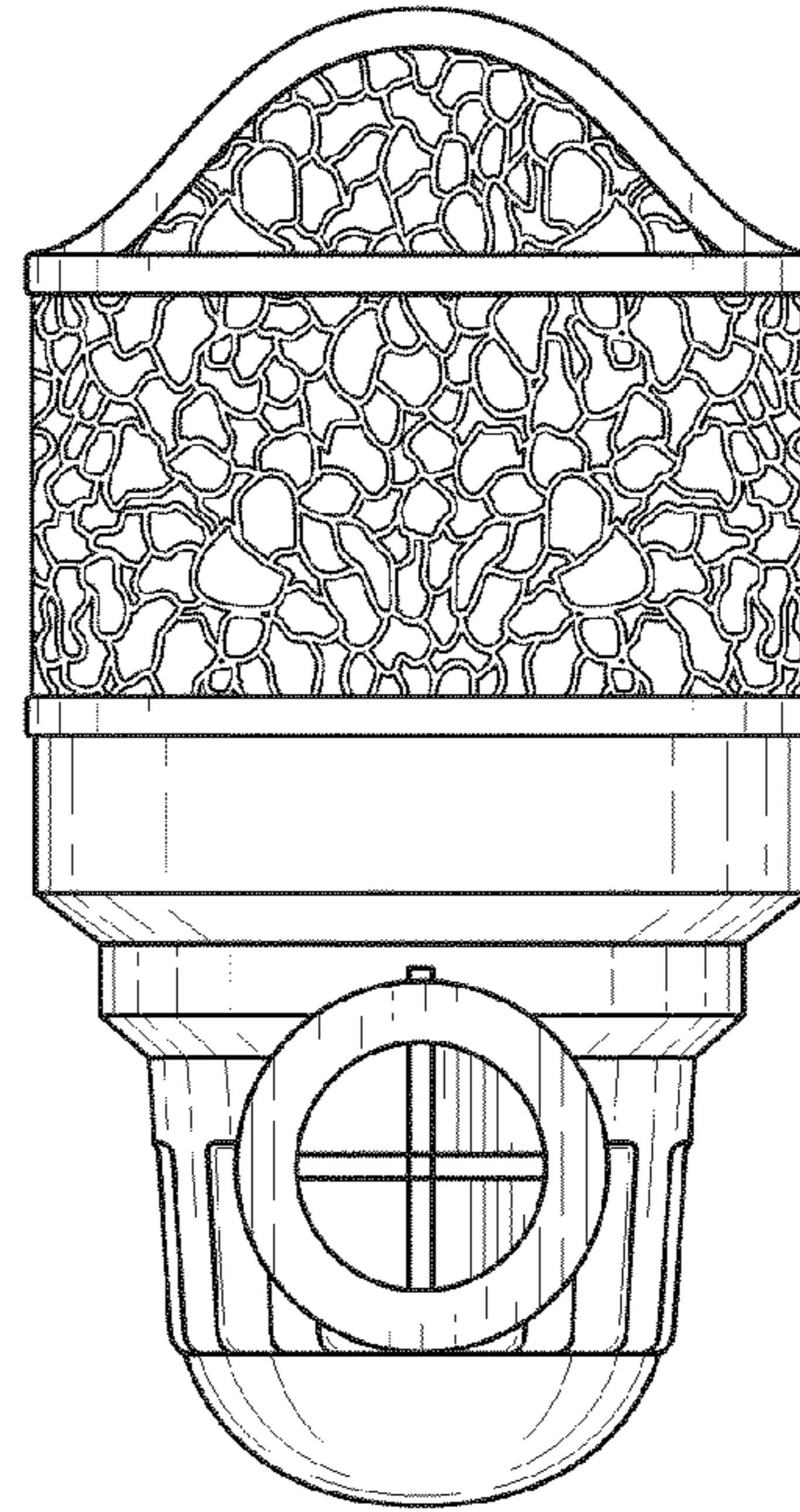


FIG. 6

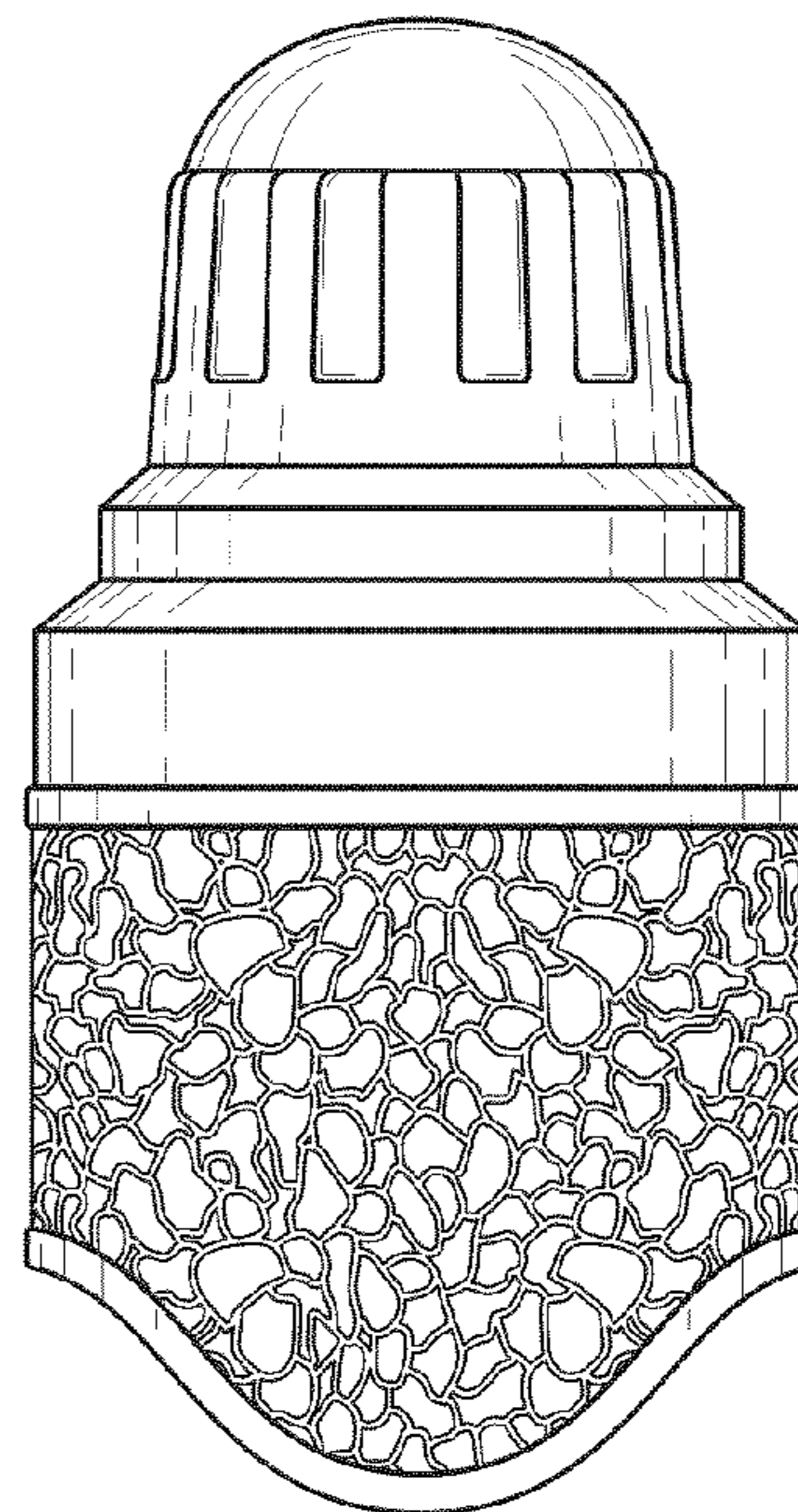


FIG. 7