



US00D651334S

(12) **United States Design Patent**
Yuen

(10) **Patent No.:** **US D651,334 S**

(45) **Date of Patent:** **** Dec. 27, 2011**

(54) **LED FLASHLIGHT**

(76) Inventor: **Se Kit Yuen, Kwun Tong (CN)**

(**) Term: **14 Years**

(21) Appl. No.: **29/372,394**

(22) Filed: **Nov. 15, 2010**

(51) **LOC (9) Cl.** **26-02**

(52) **U.S. Cl.** **D26/50**

(58) **Field of Classification Search** D26/37-42,
D26/45-46, 48, 50; 362/157, 158, 184-191,
362/194-199, 202-208

See application file for complete search history.

(56) **References Cited**

U.S. PATENT DOCUMENTS

D420,156 S *	2/2000	Poon	D26/38
D421,143 S *	2/2000	Kovacik et al.	D26/42
D445,925 S *	7/2001	Parker	D26/37
D481,146 S *	10/2003	Yuen	D26/37
D500,875 S *	1/2005	Parker et al.	D26/42
D513,811 S *	1/2006	Lai	D26/42

D549,374 S *	8/2007	Yuen	D26/45
D564,113 S *	3/2008	Yuen	D26/42
D620,161 S *	7/2010	Kang et al.	D26/45
D623,323 S *	9/2010	Kung	D26/45
7,857,480 B2 *	12/2010	Steele et al.	362/197

* cited by examiner

Primary Examiner — Ian Simmons

Assistant Examiner — Carissa C Fitts

(57) **CLAIM**

The ornamental design for a LED Flashlight, as shown.

DESCRIPTION

FIG. 1 is a side view showing my new design.

FIG. 2 is a front view thereof.

FIG. 3 is another side view thereof.

FIG. 4 is a rear view thereof.

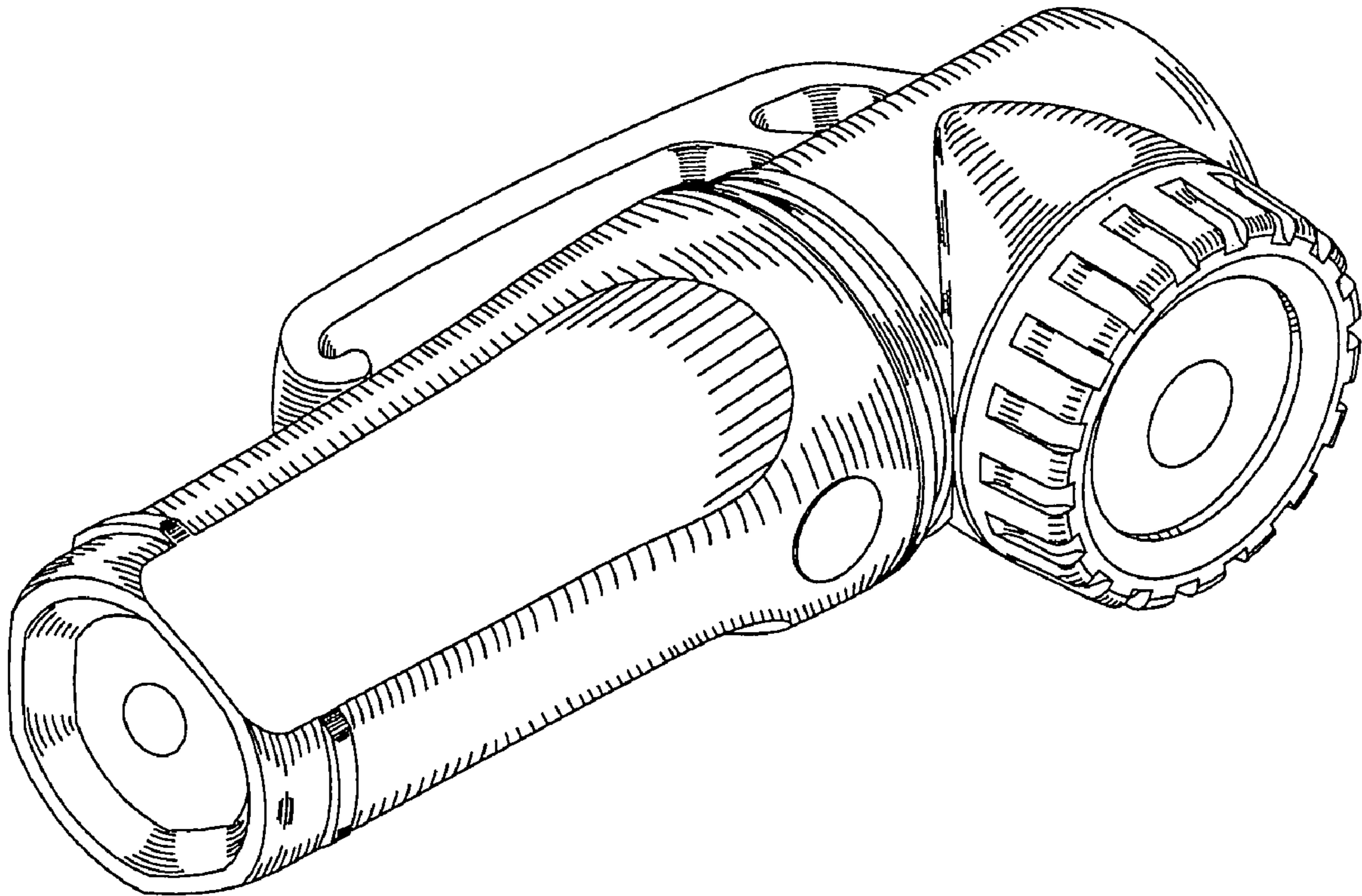
FIG. 5 is a plan view thereof.

FIG. 6 is an underneath view thereof.

FIG. 7 is an isometric view thereof; and,

FIG. 8 is another isometric view thereof.

1 Claim, 8 Drawing Sheets



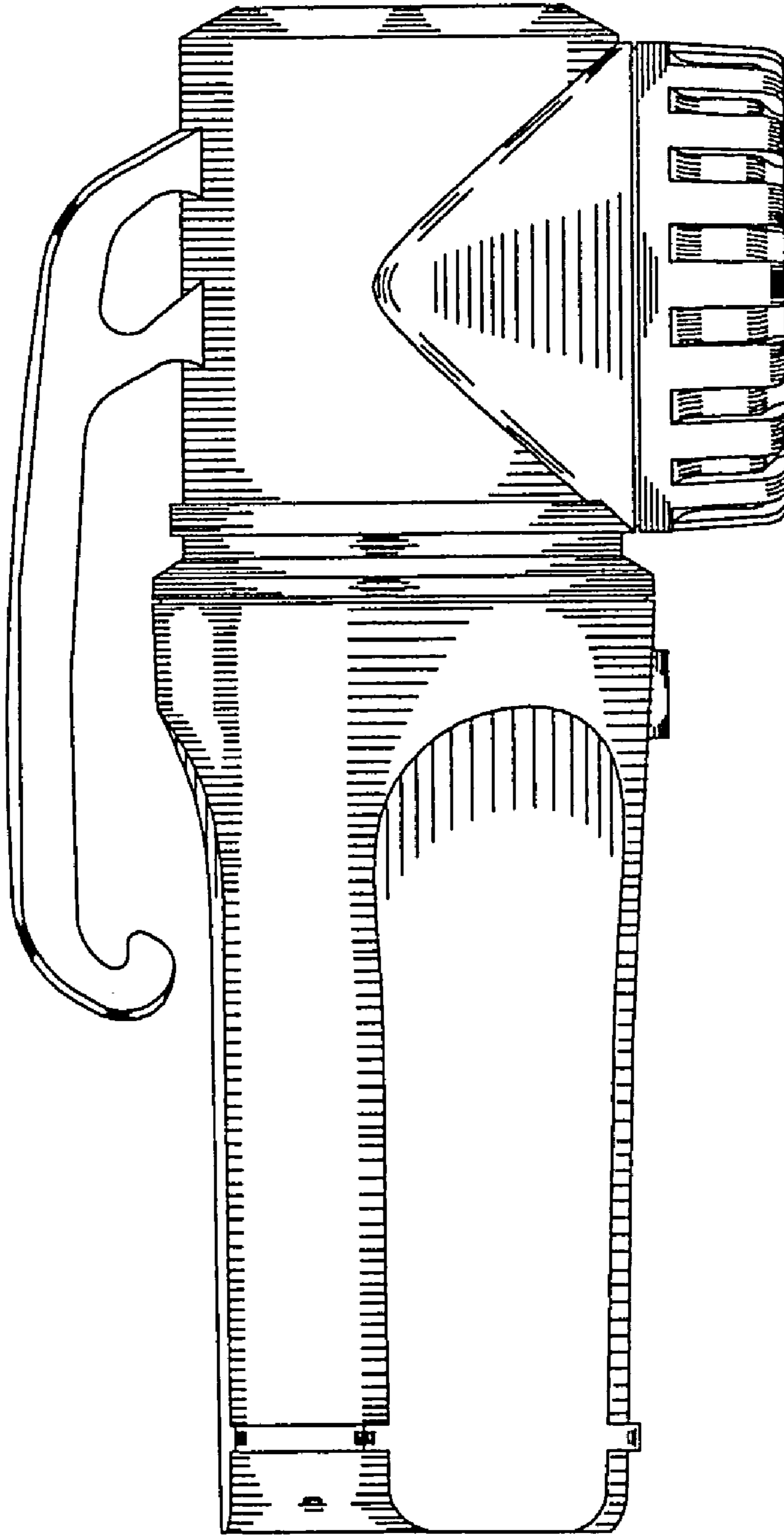


Fig. 1

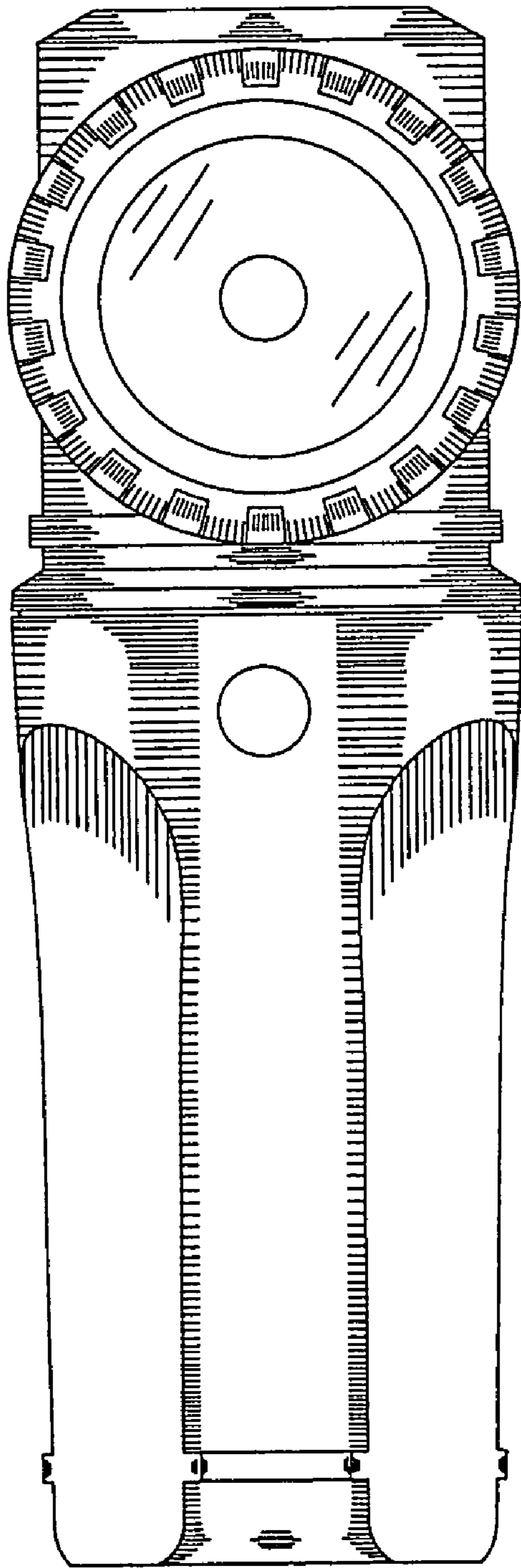


Fig. 2

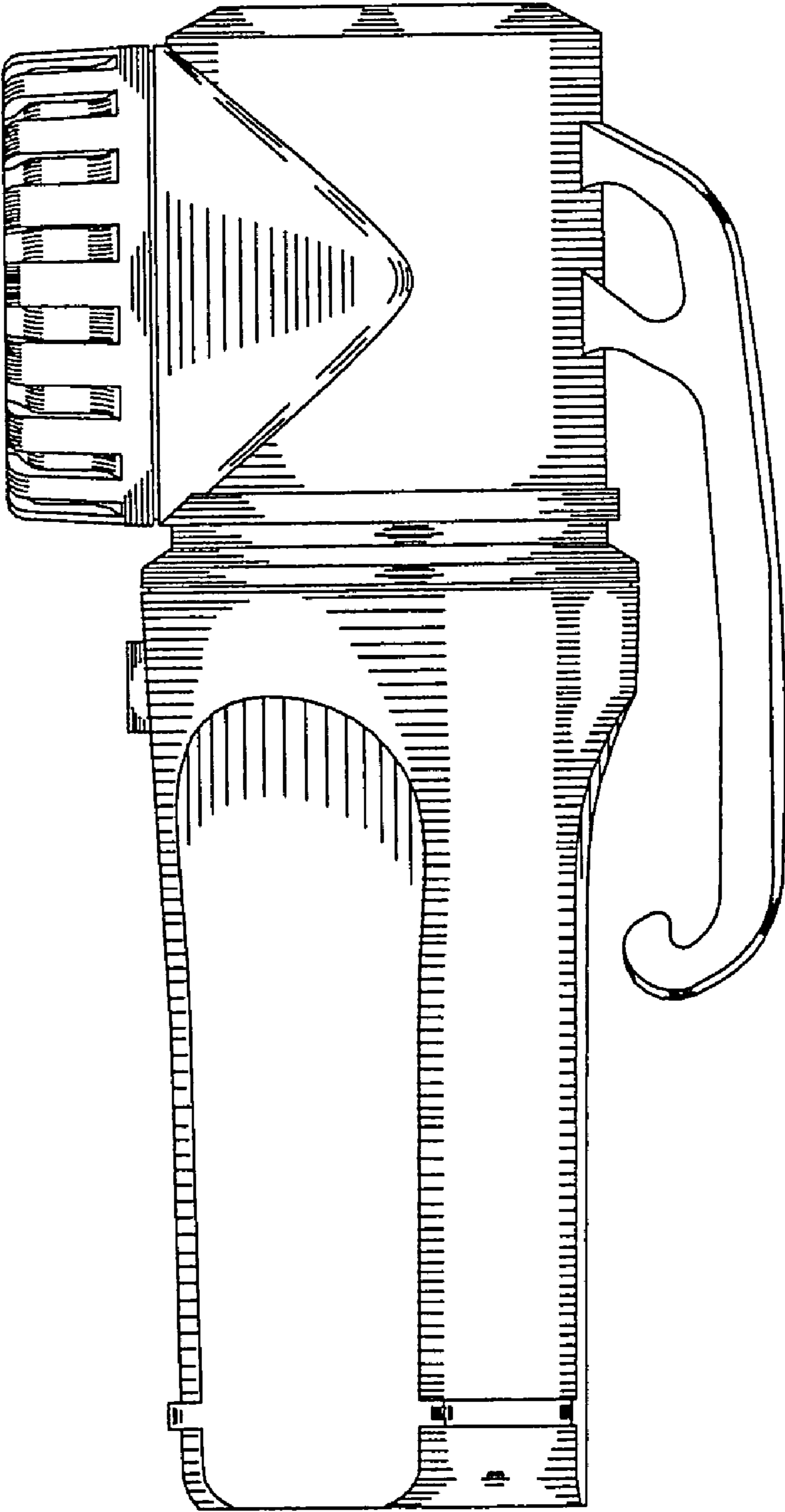


Fig. 3

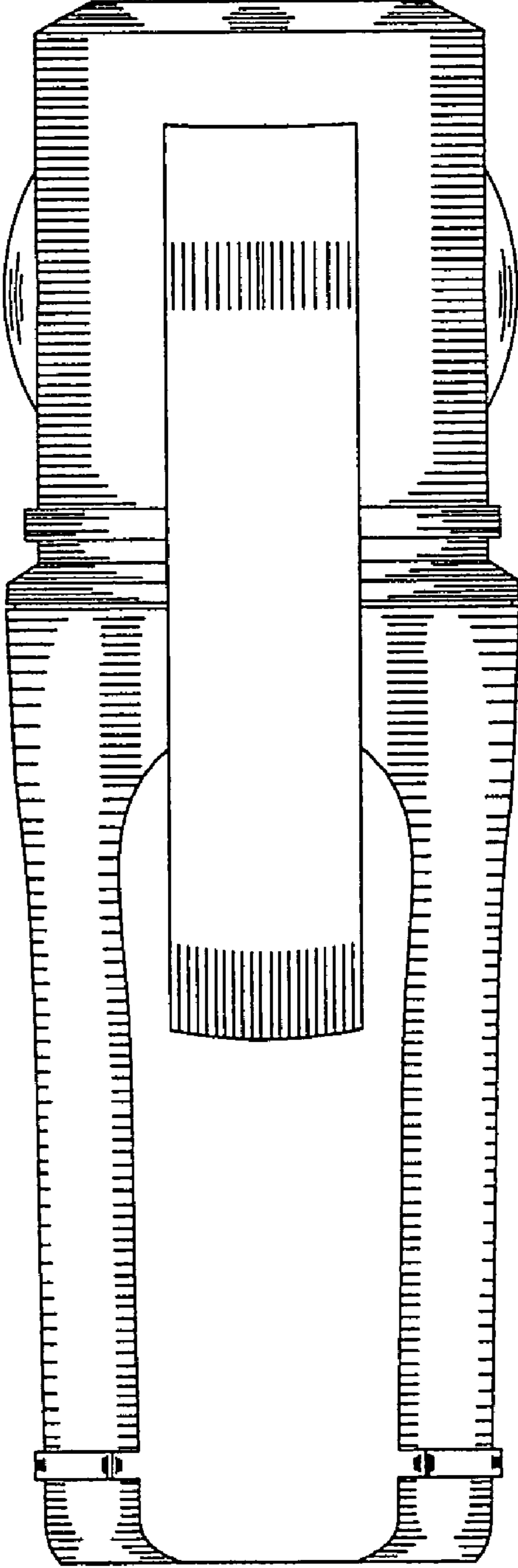


Fig. 4

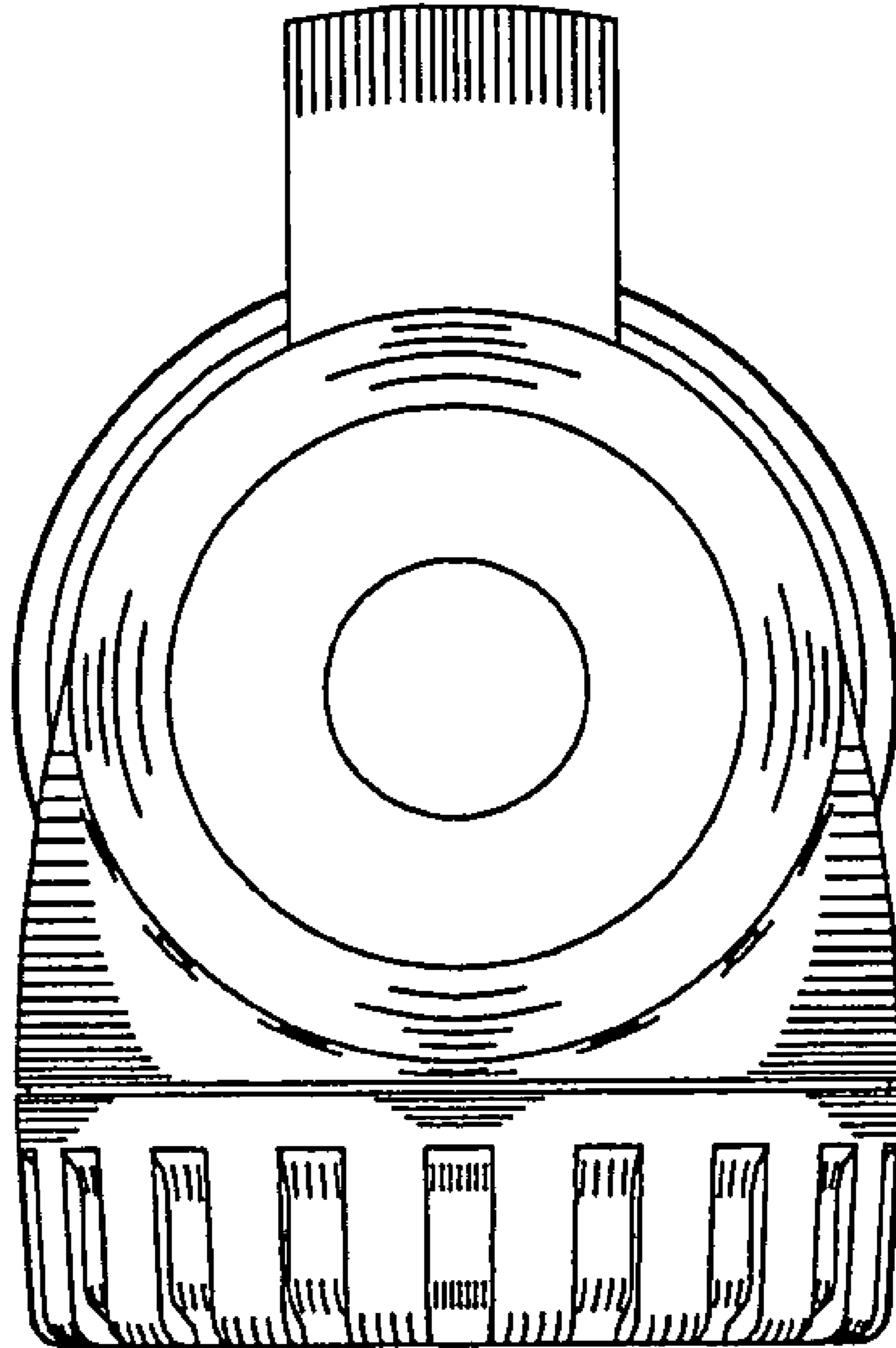


Fig. 5

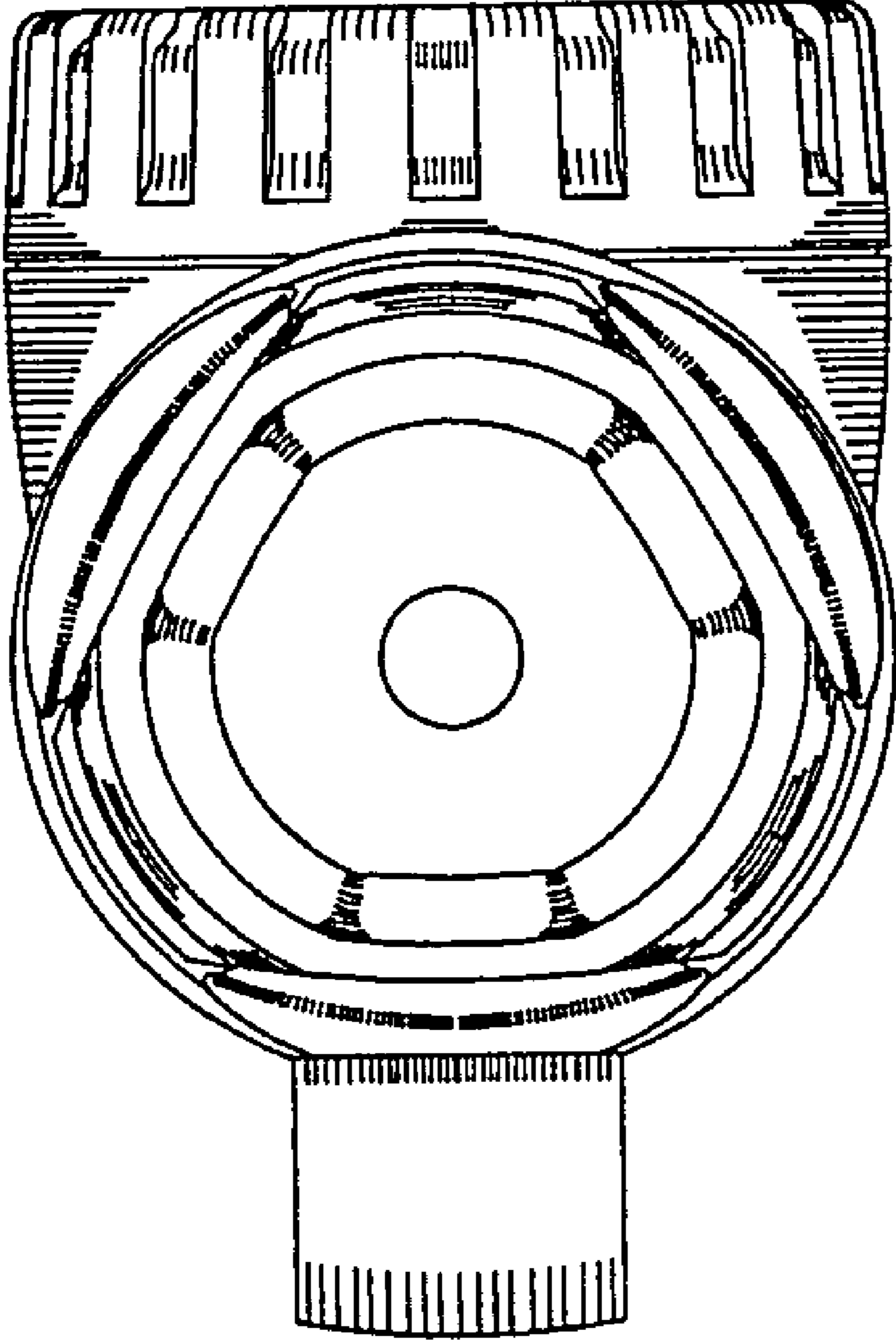


Fig. 6

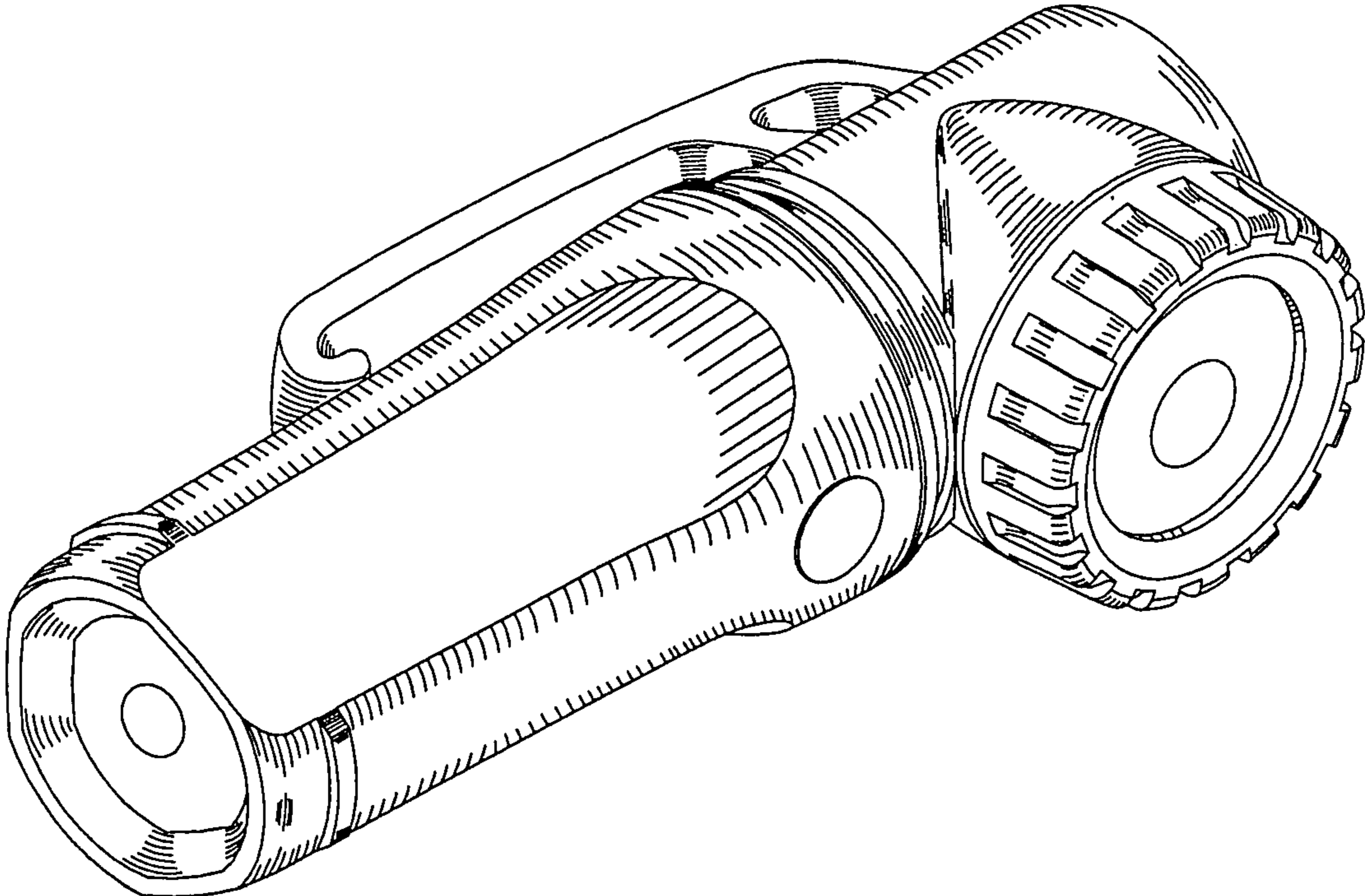


Fig. 7

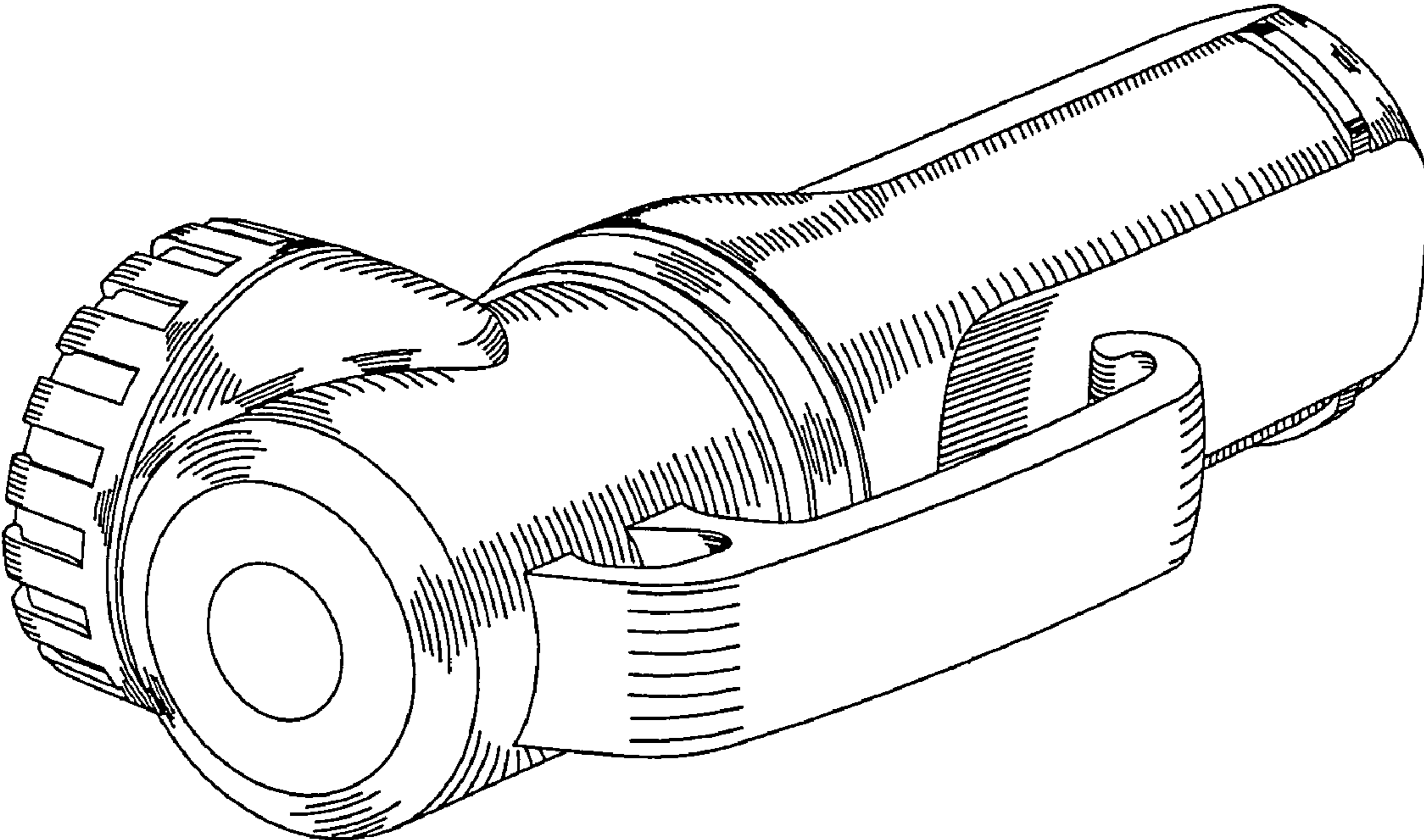


Fig. 8