



US00D651328S

(12) **United States Design Patent**
Wahl

(10) **Patent No.:** **US D651,328 S**

(45) **Date of Patent:** **** Dec. 27, 2011**

(54) **LED MACHINE LAMP**

(75) Inventor: **Paul Wahl**, Bad Dür rheim (DE)

(73) Assignee: **Herbert Waldmann GmbH & Co. KG**,
Villingen-Schwenningen (DE)

(**) Term: **14 Years**

(21) Appl. No.: **29/358,239**

(22) Filed: **Mar. 24, 2010**

(30) **Foreign Application Priority Data**

Oct. 1, 2009 (DE) 40 2009 04 719

(51) **LOC (9) Cl.** **26-05**

(52) **U.S. Cl.** **D26/24**

(58) **Field of Classification Search** D26/24,
D26/72, 74, 80, 81, 83, 85, 88, 61, 63, 118;
362/576, 89, 145, 147, 148, 150, 151, 152,
362/153, 153.1, 294, 296.01, 311.02, 311.07,
362/364, 365, 366, 373

See application file for complete search history.

(56) **References Cited**

U.S. PATENT DOCUMENTS

D307,059 S *	4/1990	Szymanek	D26/74
D312,842 S *	12/1990	Younger et al.	D20/42
D343,915 S *	2/1994	Baader et al.	D26/28
D400,281 S *	10/1998	Kerr	D26/74
D456,932 S *	5/2002	Crosby	D26/85
D570,518 S *	6/2008	Haimov	D26/74
D581,084 S *	11/2008	Kawaguchi et al.	D26/74
D589,199 S *	3/2009	Pedersen	D26/85
D589,638 S *	3/2009	Collins	D26/72

D602,624 S *	10/2009	Kawaguchi et al.	D26/74
D607,599 S *	1/2010	Zhou et al.	D26/80
D612,958 S *	3/2010	Uemoto et al.	D26/24
D628,734 S *	12/2010	Waldmann	D26/74

FOREIGN PATENT DOCUMENTS

WO WO 2008/021972 2/2008

OTHER PUBLICATIONS

U.S. Appl. No. 29/356,740, filed Mar. 2, 2010, Waldmann.

* cited by examiner

Primary Examiner — Angela J Lee

(74) *Attorney, Agent, or Firm* — Andrew F. Young, Esq.;
Lackebach Siegel, LLP

(57) **CLAIM**

The ornamental design for a LED machine lamp, as shown and described.

DESCRIPTION

FIG. 1 is a front perspective view of the invention.

FIG. 2 is a front plan view of FIG. 1.

FIG. 3 is a left side elevation view of FIG. 1

FIG. 4 is a bottom plan view of FIG. 1.

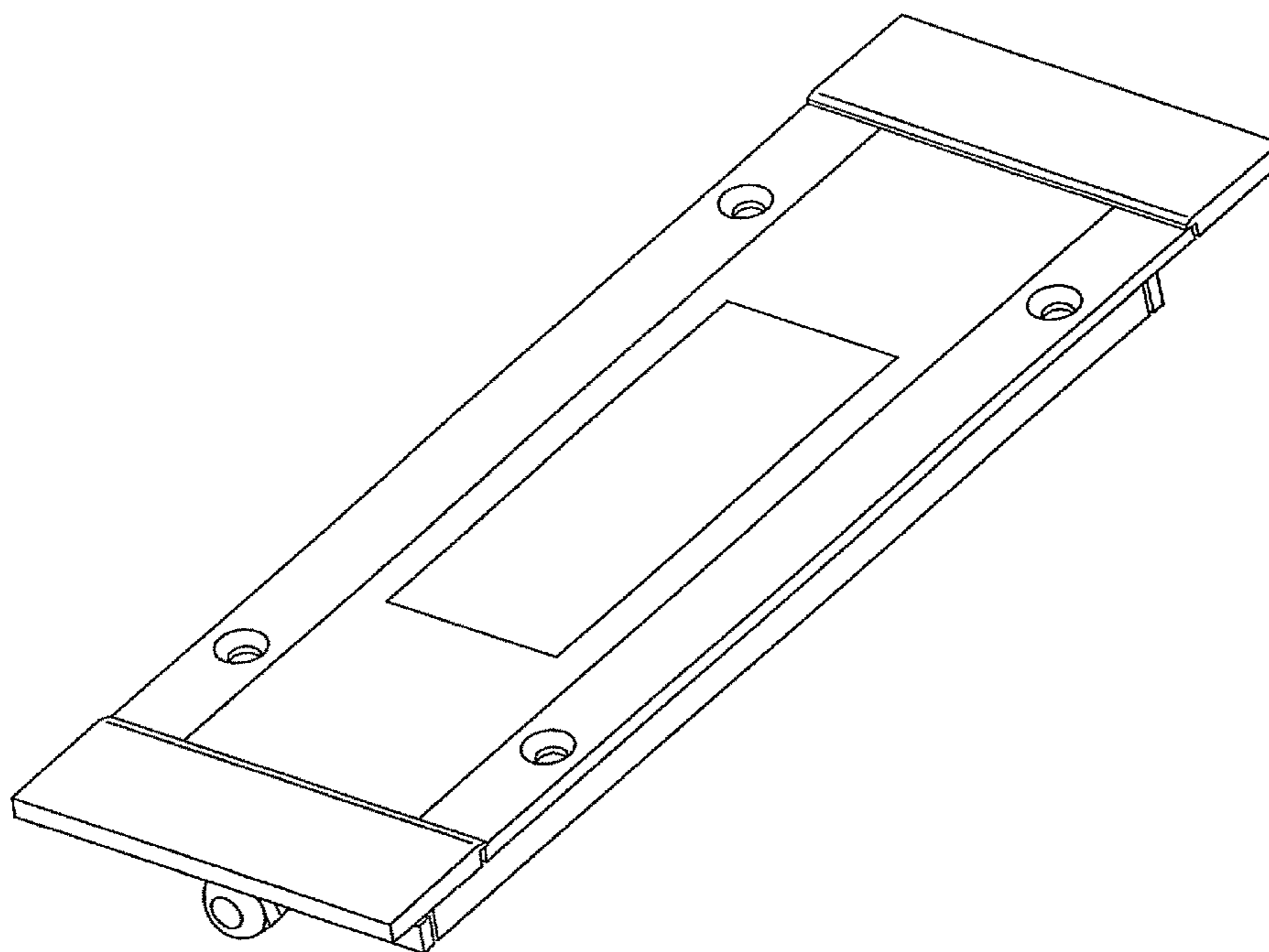
FIG. 5 is a right side elevation view of FIG. 1.

FIG. 6 is a top plan view of FIG. 1; and,

FIG. 7 is a bottom plan view of FIG. 1.

Statement: The portions of the LED machine lamp shown in broken lines forms no part of the claimed design.

1 Claim, 6 Drawing Sheets



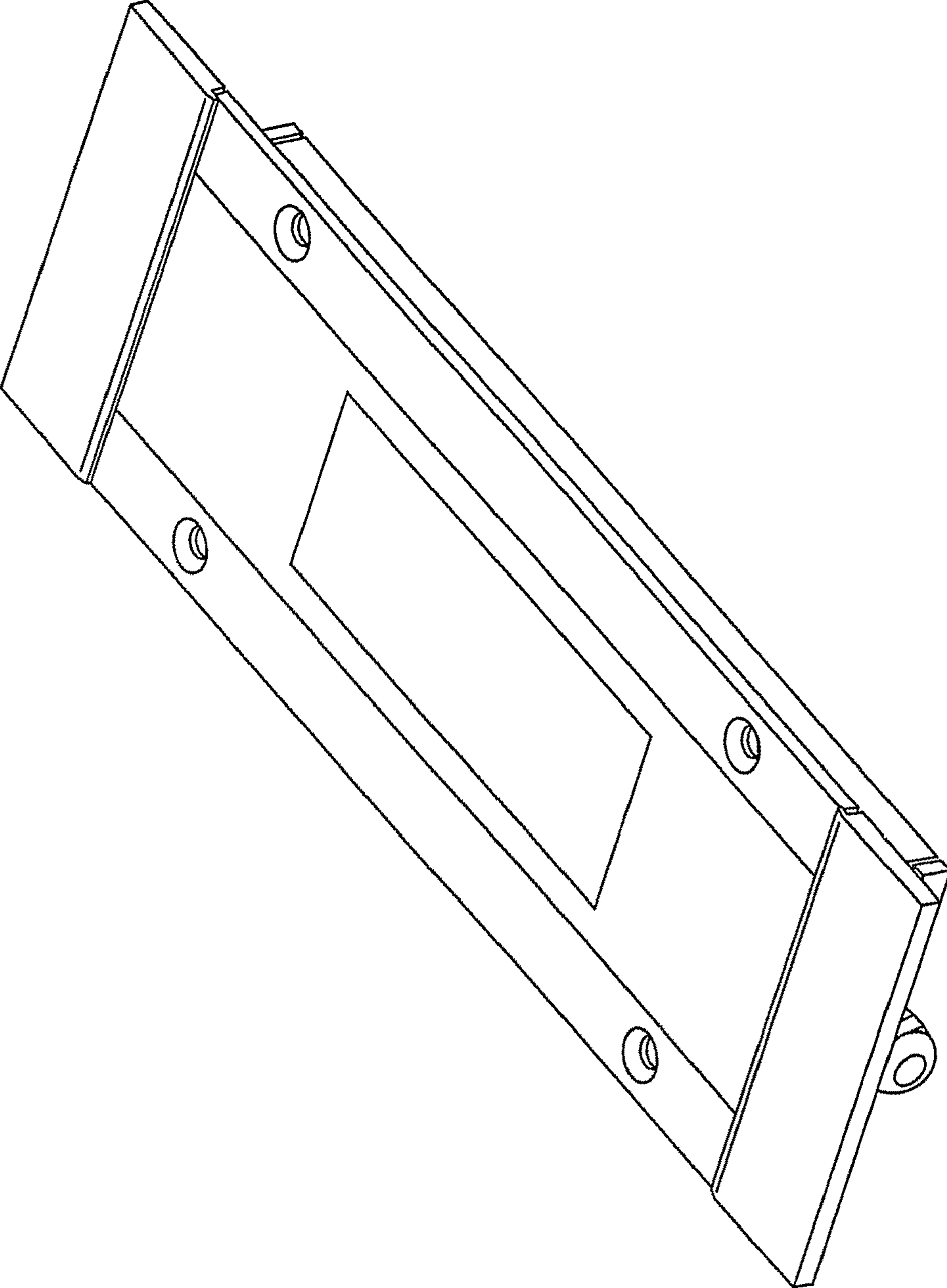


FIG. 1

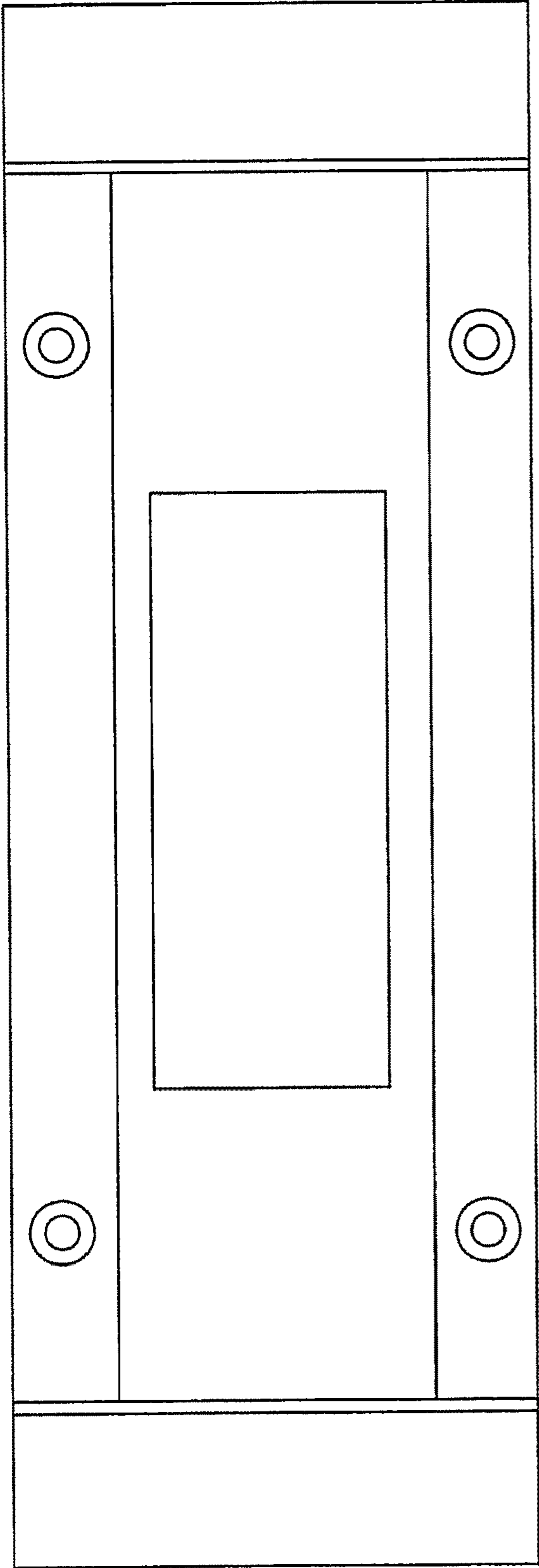


FIG. 2

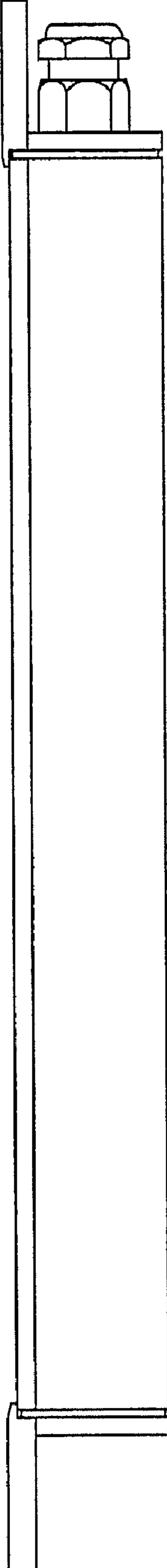


FIG. 3

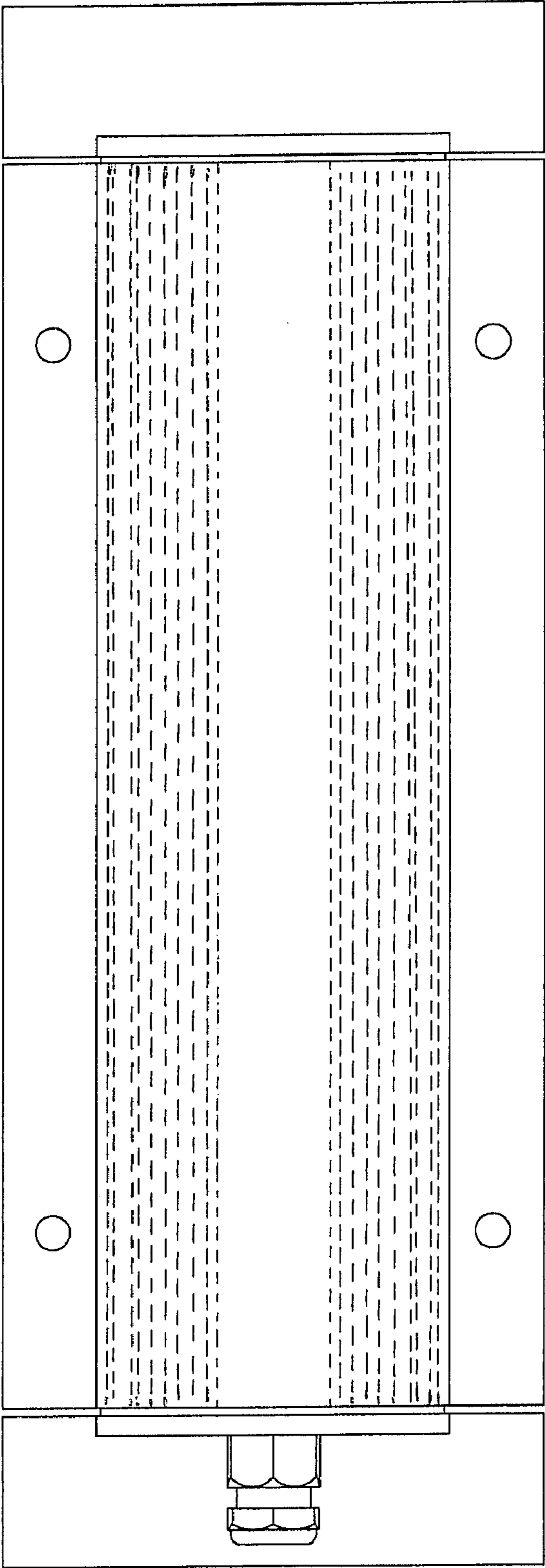


FIG. 4

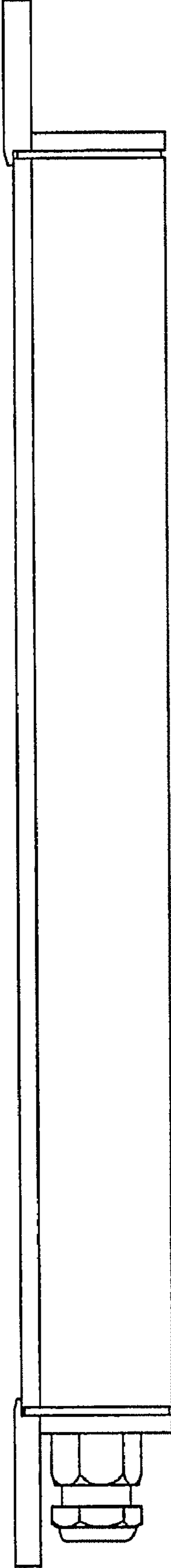


FIG. 5

FIG. 6

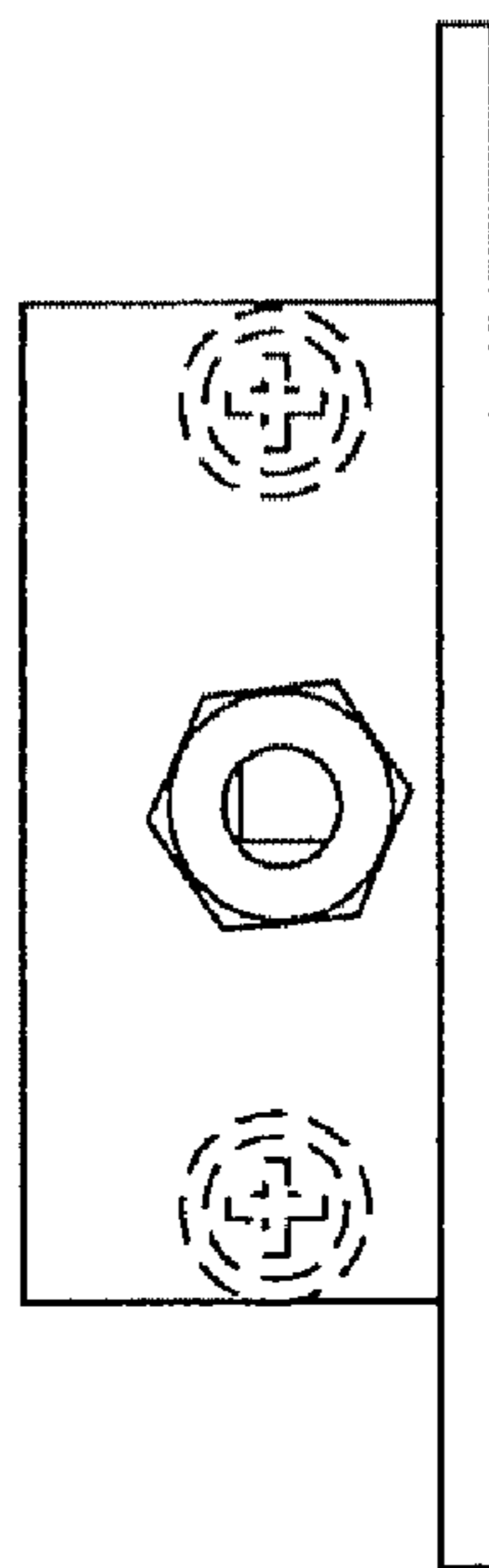
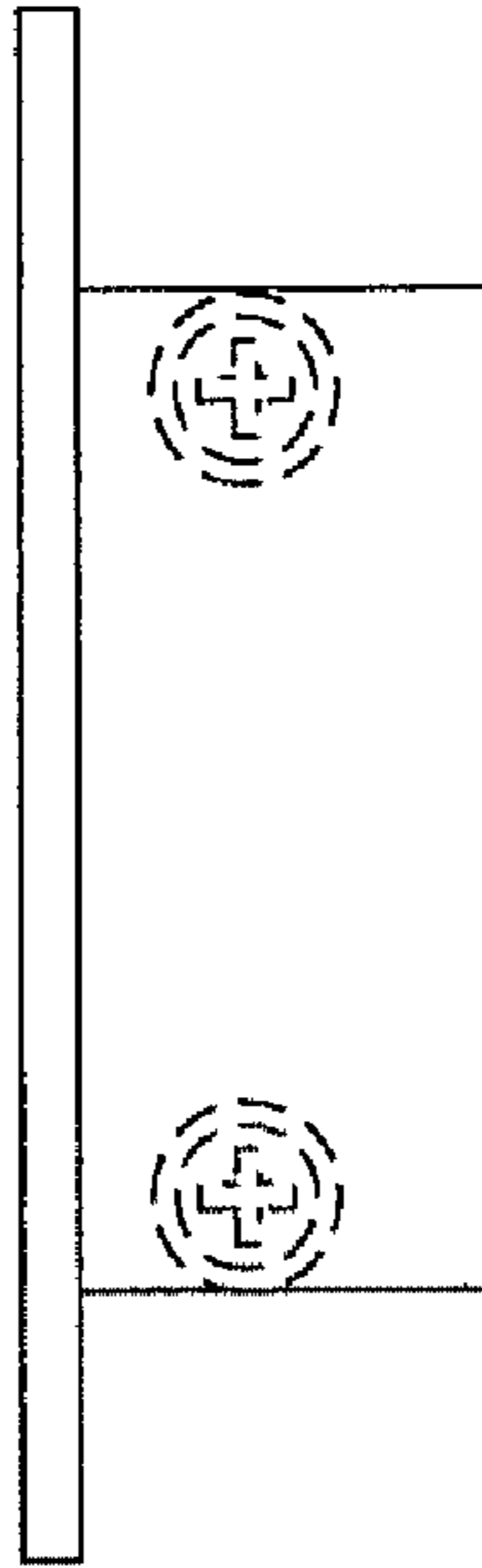


FIG. 7

UNITED STATES PATENT AND TRADEMARK OFFICE
CERTIFICATE OF CORRECTION

PATENT NO. : D651,328 S
APPLICATION NO. : 29/358239
DATED : December 27, 2011
INVENTOR(S) : Wahl

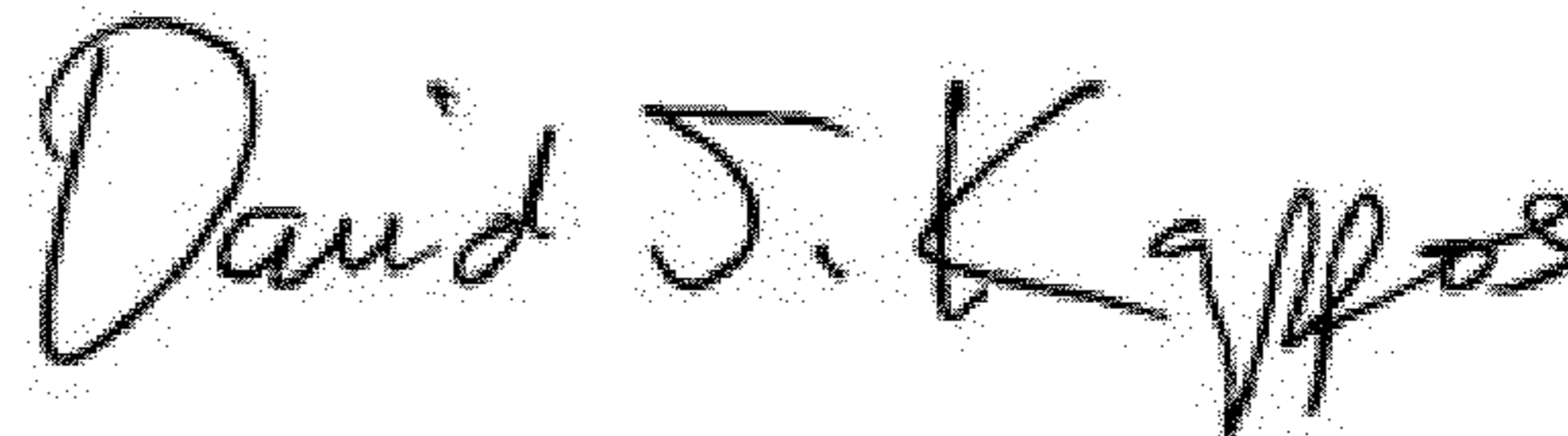
Page 1 of 1

It is certified that error appears in the above-identified patent and that said Letters Patent is hereby corrected as shown below:

On the cover page, the following correction is made:

Item (75) Inventor: "Paul Wahl" should be changed to --Peter Wahl--.

Signed and Sealed this
Eighteenth Day of September, 2012

A handwritten signature in black ink that reads "David J. Kappos". The signature is written in a cursive, slightly slanted style.

David J. Kappos
Director of the United States Patent and Trademark Office