



US00D651327S

(12) **United States Design Patent**  
**Hsiao et al.**

(10) **Patent No.:** **US D651,327 S**

(45) **Date of Patent:** **\*\* Dec. 27, 2011**

(54) **INSECT REPELLENT LAMP**

(75) Inventors: **Ching-Feng Hsiao**, Tainan (TW);  
**Jui-Kung Wu**, Kaohsiung (TW)

(73) Assignees: **Unibond Technology Corp.**, Tainan (TW); **Nantec Technologies Corporation**, Kaohsiung (TW)

(\*\*) Term: **14 Years**

(21) Appl. No.: **29/387,000**

(22) Filed: **Mar. 8, 2011**

(51) **LOC (9) Cl.** ..... **26-04**

(52) **U.S. Cl.** ..... **D26/2**

(58) **Field of Classification Search** ..... D26/2;  
313/313, 315, 316, 317, 318, 493; 315/52,  
315/53, 56, 57, 58

See application file for complete search history.

(56) **References Cited**

**U.S. PATENT DOCUMENTS**

D508,575 S *	8/2005	Buschmann et al.	.....	D26/2
D528,227 S *	9/2006	Chou et al.	.....	D26/2
D531,741 S *	11/2006	Takahashi	.....	D26/2

D534,665 S *	1/2007	Egawa et al.	.....	D26/2
D538,953 S *	3/2007	Mama	.....	D26/2
D615,220 S *	5/2010	Crane et al.	.....	D26/2
D617,915 S *	6/2010	Wada et al.	.....	D26/2
D634,031 S *	3/2011	de Visser et al.	.....	D26/2
D634,451 S *	3/2011	de Visser	.....	D26/2

\* cited by examiner

*Primary Examiner* — Marcus Jackson

(74) *Attorney, Agent, or Firm* — C. G. Mersereau; Nikolai & Mersereau, P.A.

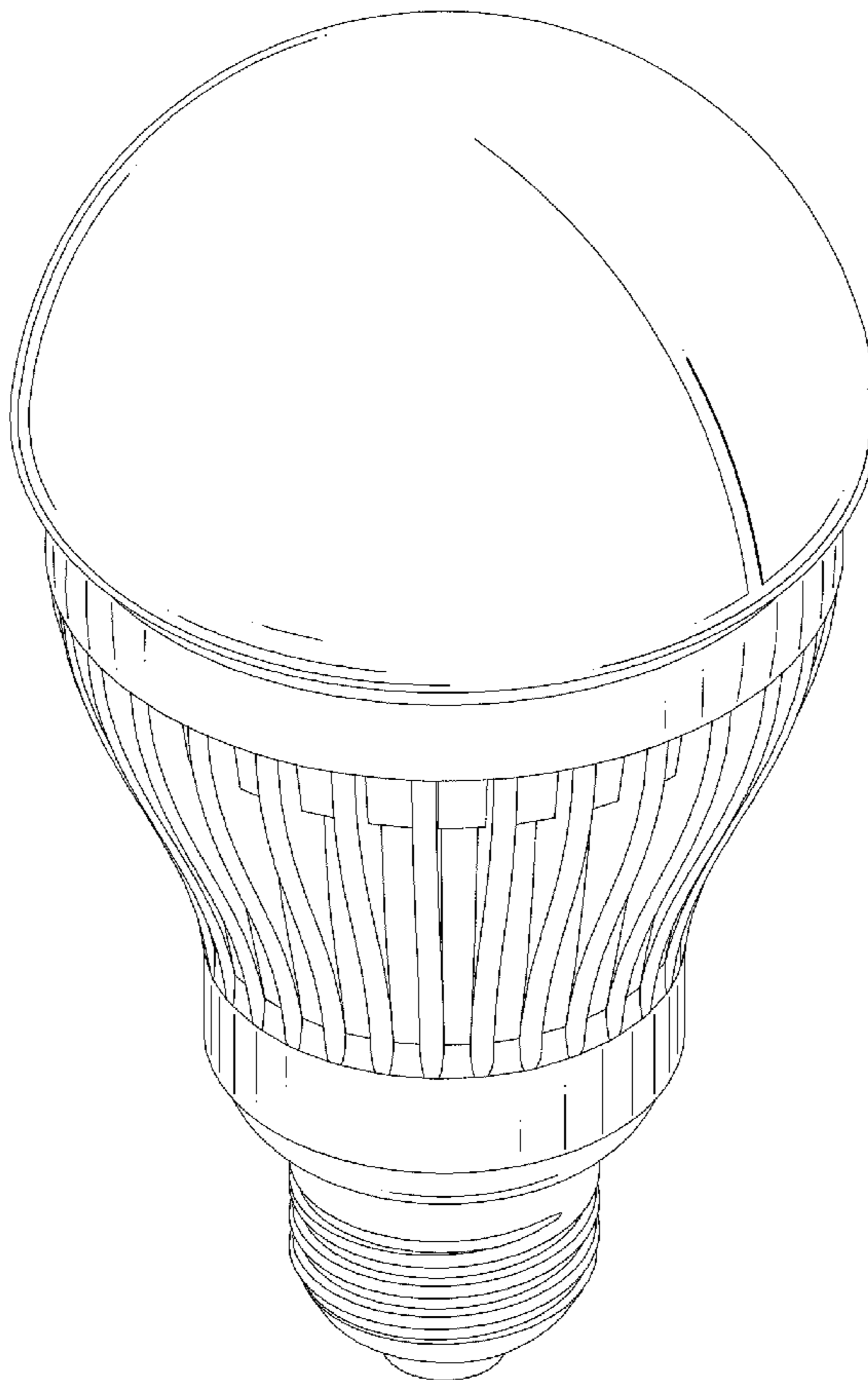
(57) **CLAIM**

The ornamental design for an insect repellent lamp, as shown and described.

**DESCRIPTION**

FIG. 1 is a top perspective view of an insect repellent lamp, showing our new design;  
FIG. 2 is a front view thereof;  
FIG. 3 is a rear view thereof;  
FIG. 4 is a left view thereof;  
FIG. 5 is a right view thereof;  
FIG. 6 is a top view thereof; and,  
FIG. 7 is a bottom perspective view thereof.

**1 Claim, 7 Drawing Sheets**



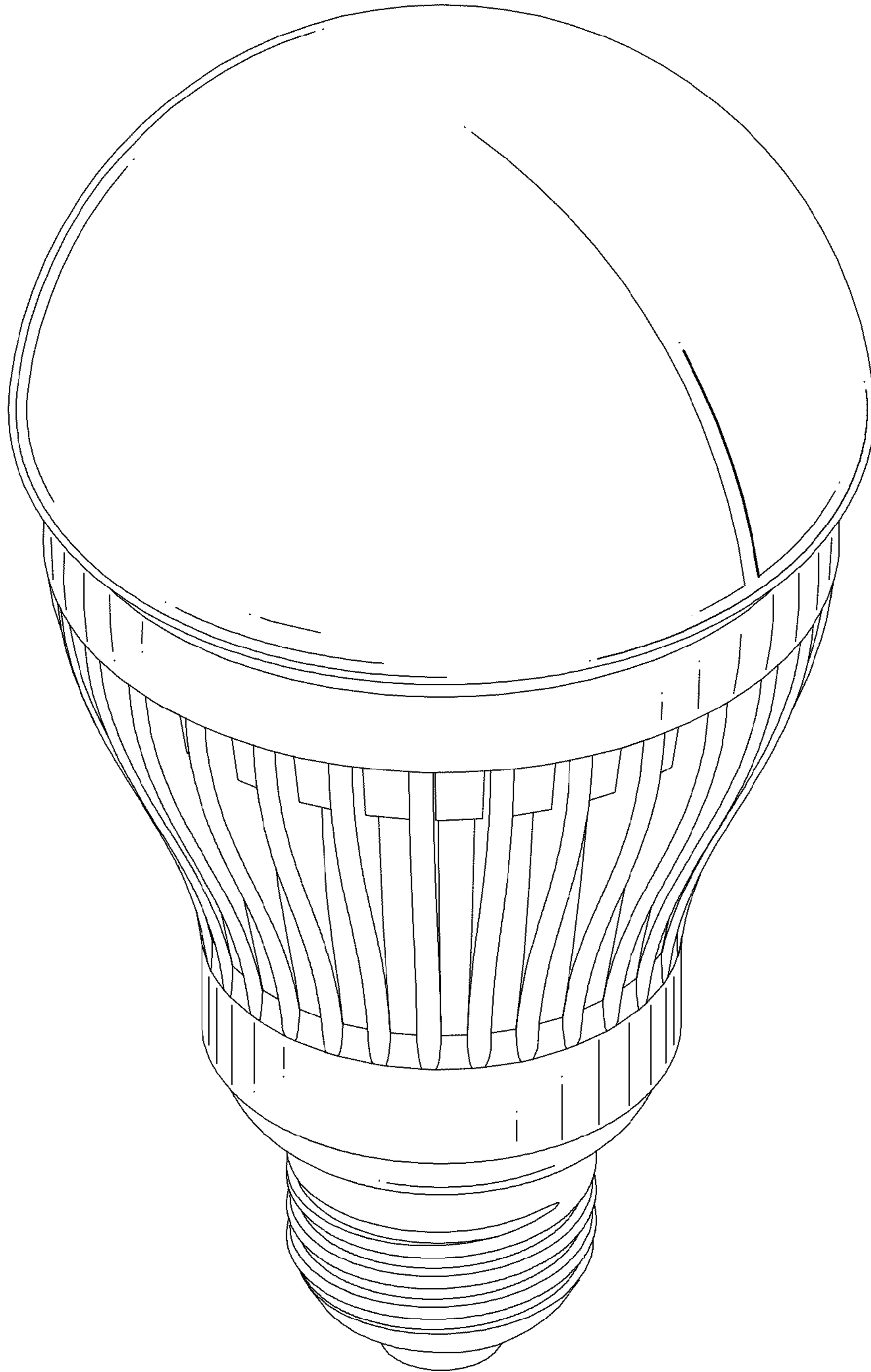


FIG. 1

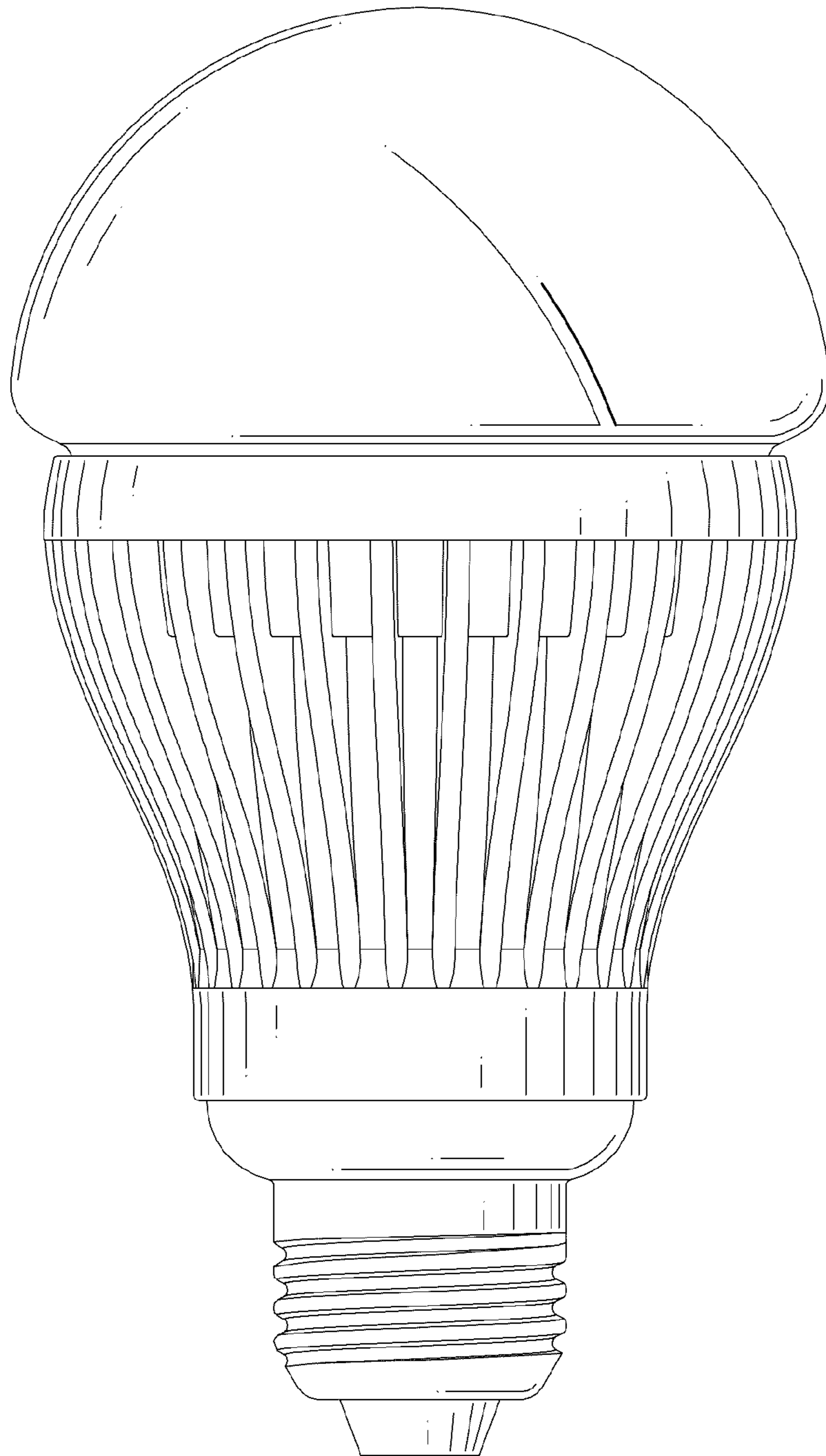


FIG. 2

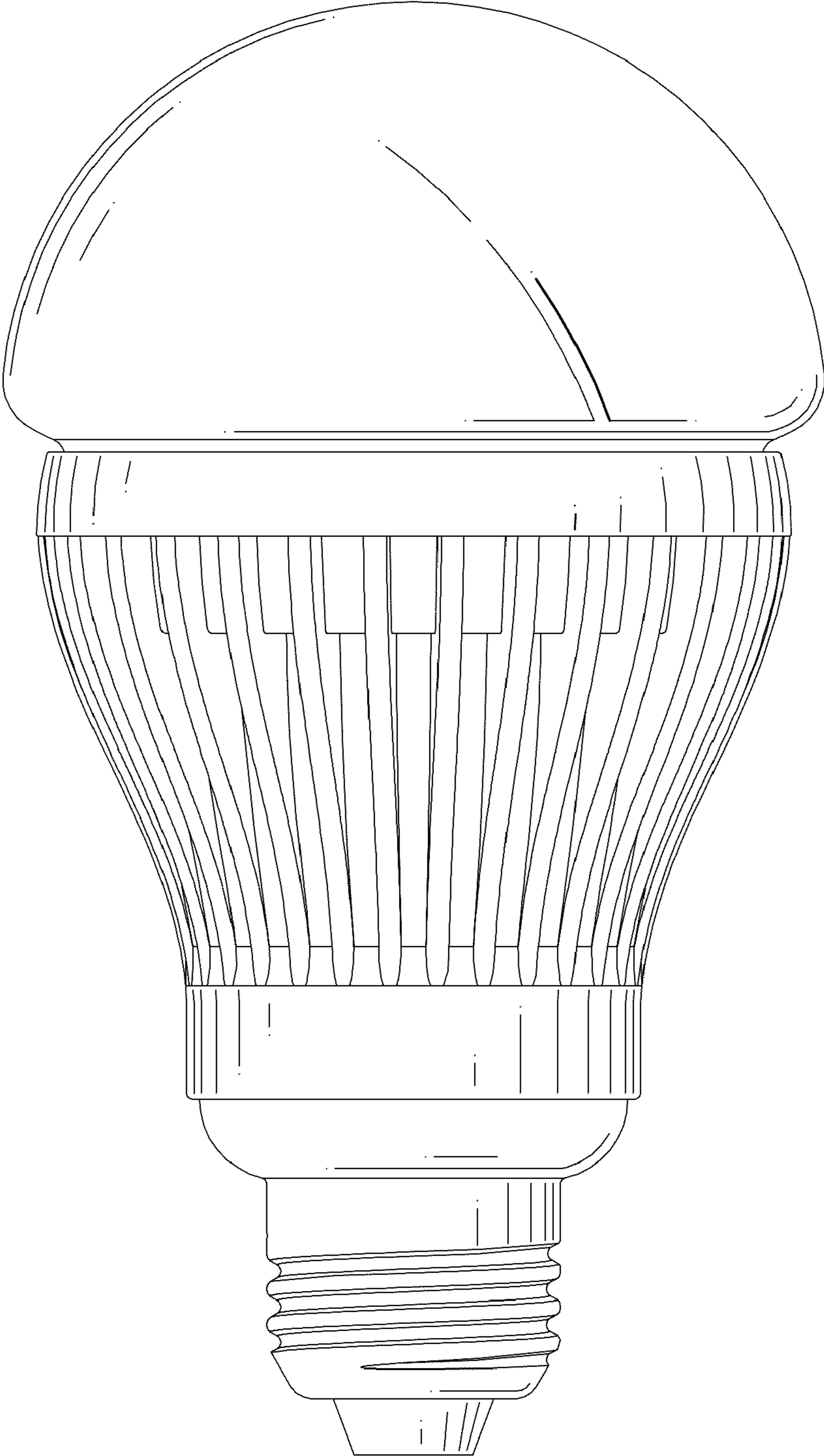


FIG.3

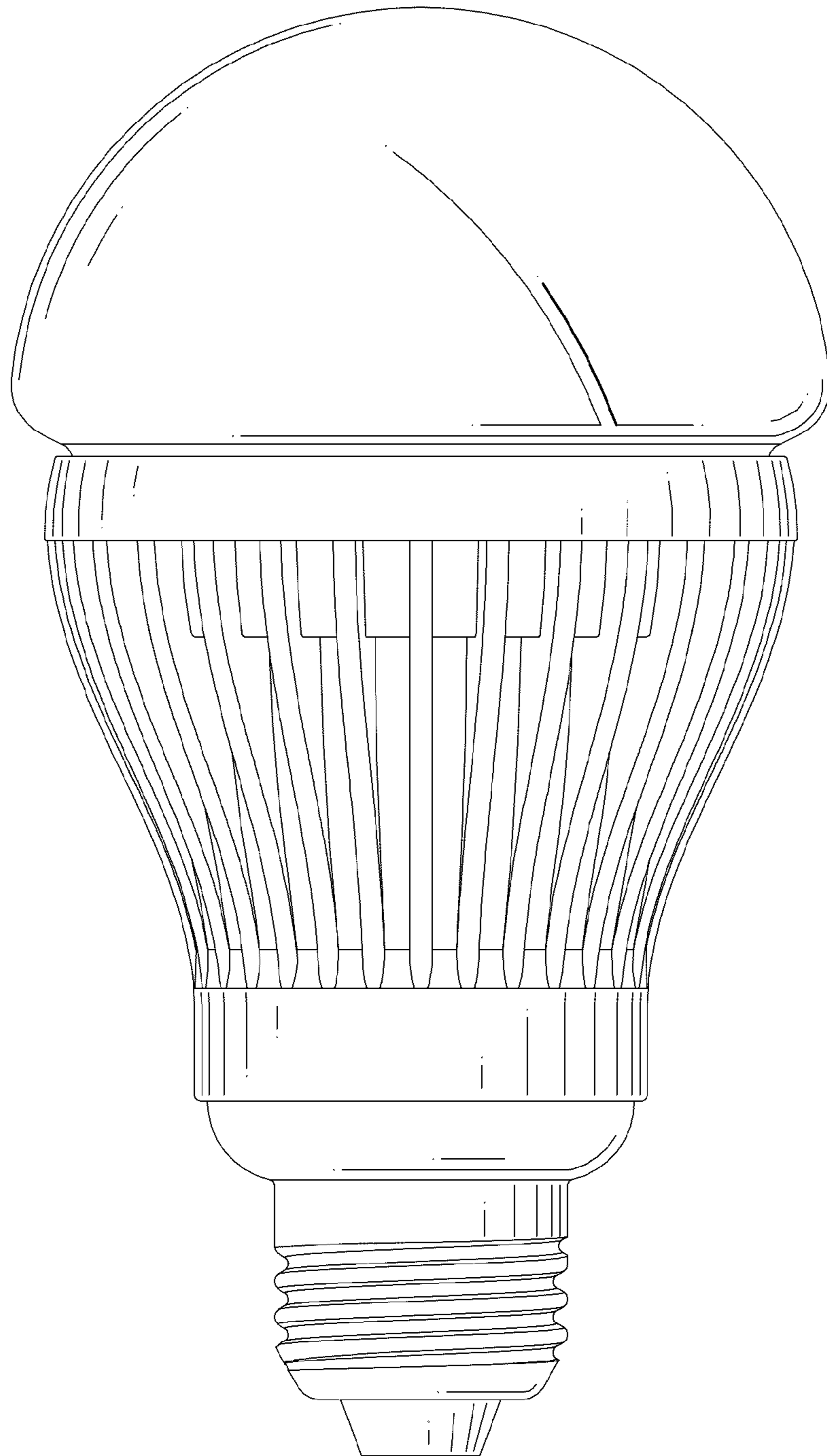


FIG. 4



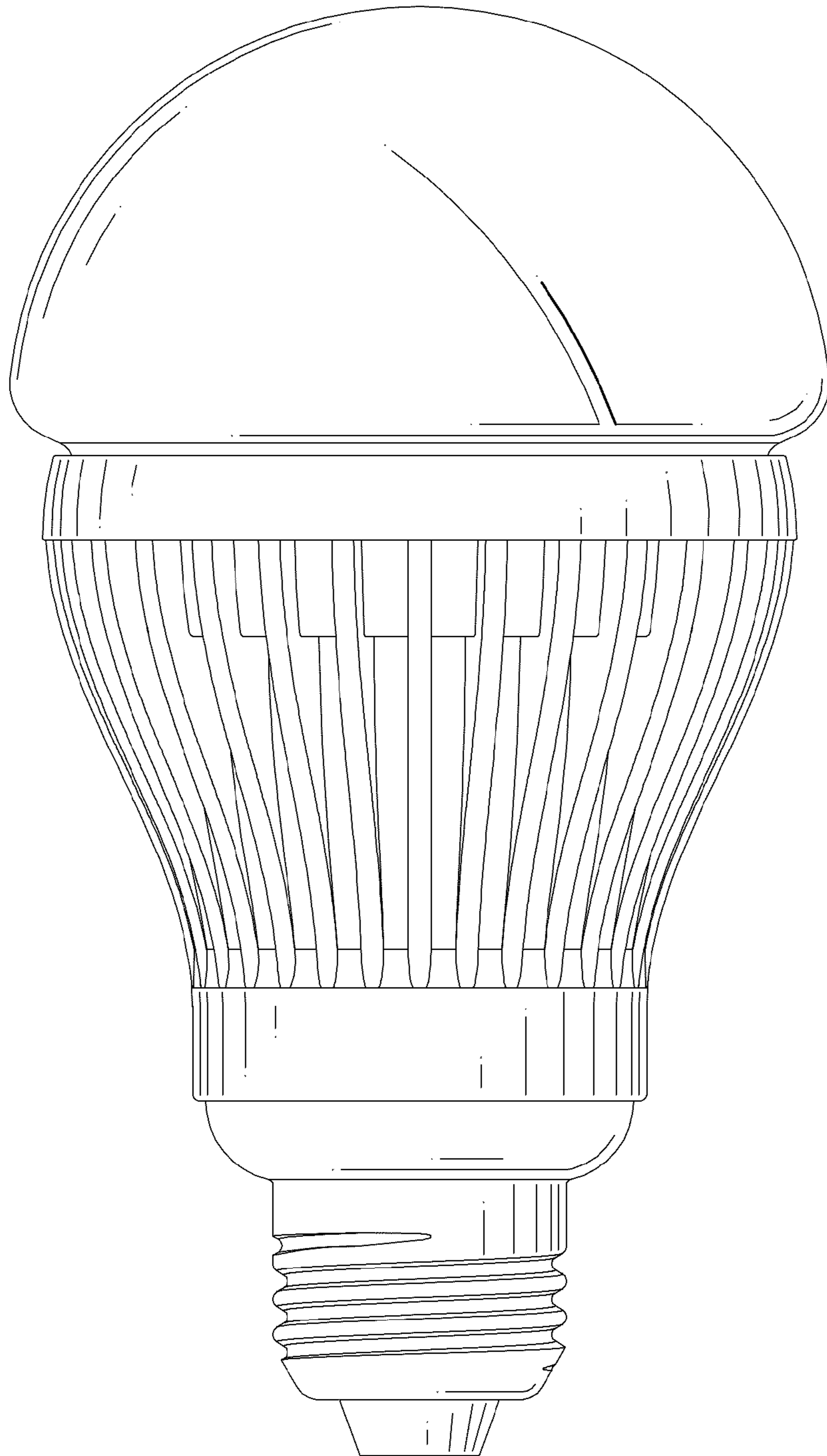


FIG. 5

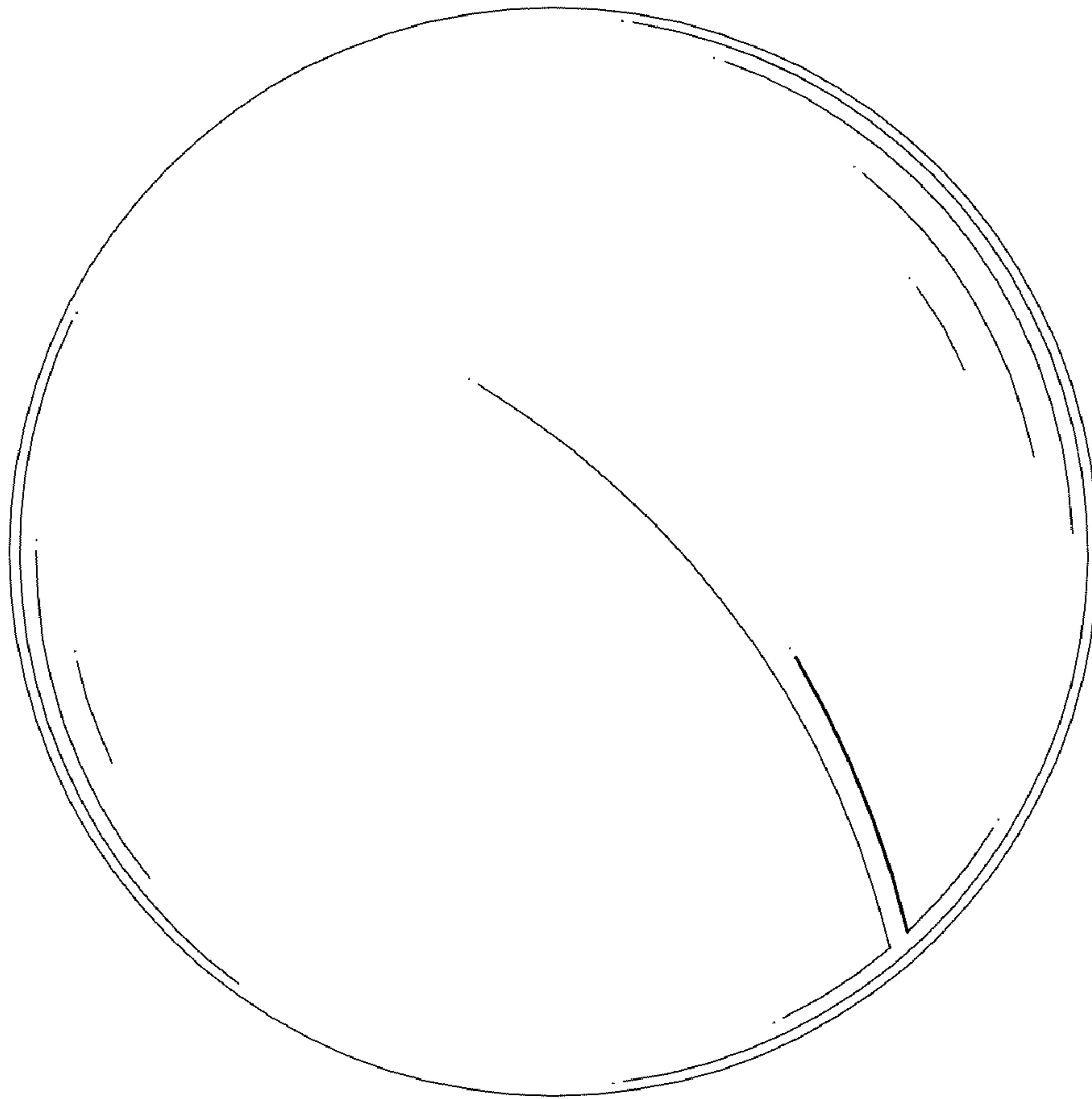


FIG.6

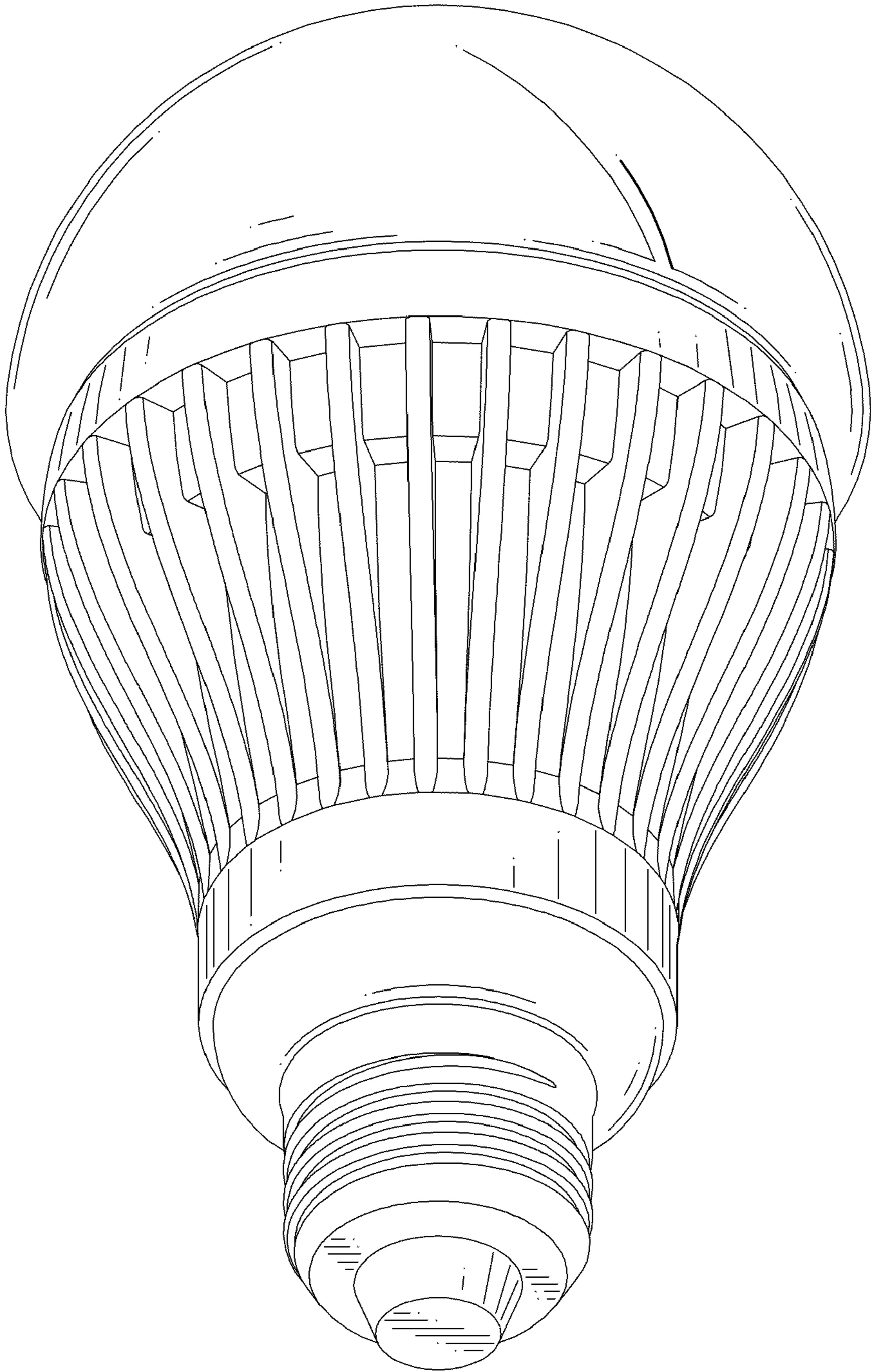


FIG. 7