



US00D651324S

(12) **United States Design Patent**
You

(10) **Patent No.:** **US D651,324 S**

(45) **Date of Patent:** **** Dec. 27, 2011**

(54) **CHANNEL**

(76) Inventor: **Bai Sen You**, New Territories (CN)

(**) Term: **14 Years**

(21) Appl. No.: **29/359,722**

(22) Filed: **Apr. 14, 2010**

Related U.S. Application Data

(63) Continuation-in-part of application No. 12/116,259, filed on May 7, 2008, now abandoned.

(51) **LOC (9) Cl.** **25-01**

(52) **U.S. Cl.** **D25/133**

(58) **Field of Classification Search** D25/134,
D25/133, 128; 52/710, 704, 698; 411/103
See application file for complete search history.

(56) **References Cited**

U.S. PATENT DOCUMENTS

2,459,386	A	1/1949	Matthes	
3,082,711	A	3/1963	Vetere	
3,425,474	A *	2/1969	Tummarello 411/103
4,052,833	A	10/1977	Beine	
4,307,551	A	12/1981	Crandell	
4,571,912	A	2/1986	Fricker	
4,739,601	A	4/1988	Beine	
5,729,951	A	3/1998	Fröhlich	

5,743,062	A	4/1998	Fricker	
6,499,714	B1	12/2002	Wike	
D473,957	S *	4/2003	Ito et al. D25/133
6,855,012	B2	2/2005	An	
D544,106	S *	6/2007	Timothy D25/133
7,462,073	B2	12/2008	Bell et al.	
2004/0005823	A1	1/2004	An	
2006/0123726	A1	6/2006	Azarin	
2010/0170185	A1 *	7/2010	Birnbaum et al. 52/710

FOREIGN PATENT DOCUMENTS

CA 2174137 A1 4/1995

* cited by examiner

Primary Examiner — Doris Clark

(74) *Attorney, Agent, or Firm* — Buchanan Ingersoll & Rooney PC

(57) **CLAIM**

The ornamental design for a channel, as shown and described.

DESCRIPTION

FIG. 1 is a perspective view of a channel according to my new design.

FIG. 2 is a front elevational view thereof.

FIG. 3 is a rear elevational view thereof.

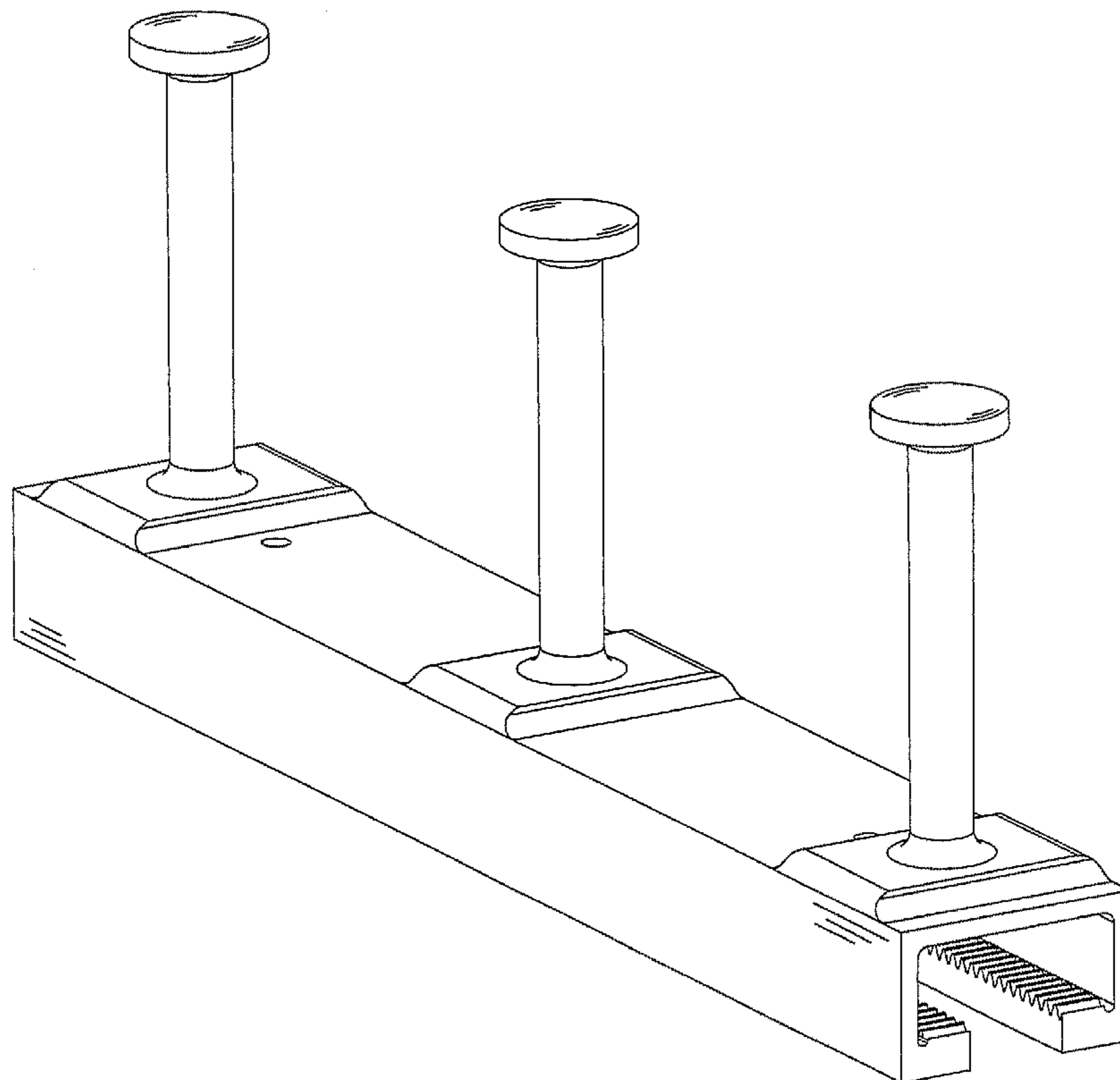
FIG. 4 is a top plan view thereof.

FIG. 5 is a bottom plan view thereof.

FIG. 6 is a right end elevational view thereof; and,

FIG. 7 is a left end elevational view thereof.

1 Claim, 7 Drawing Sheets



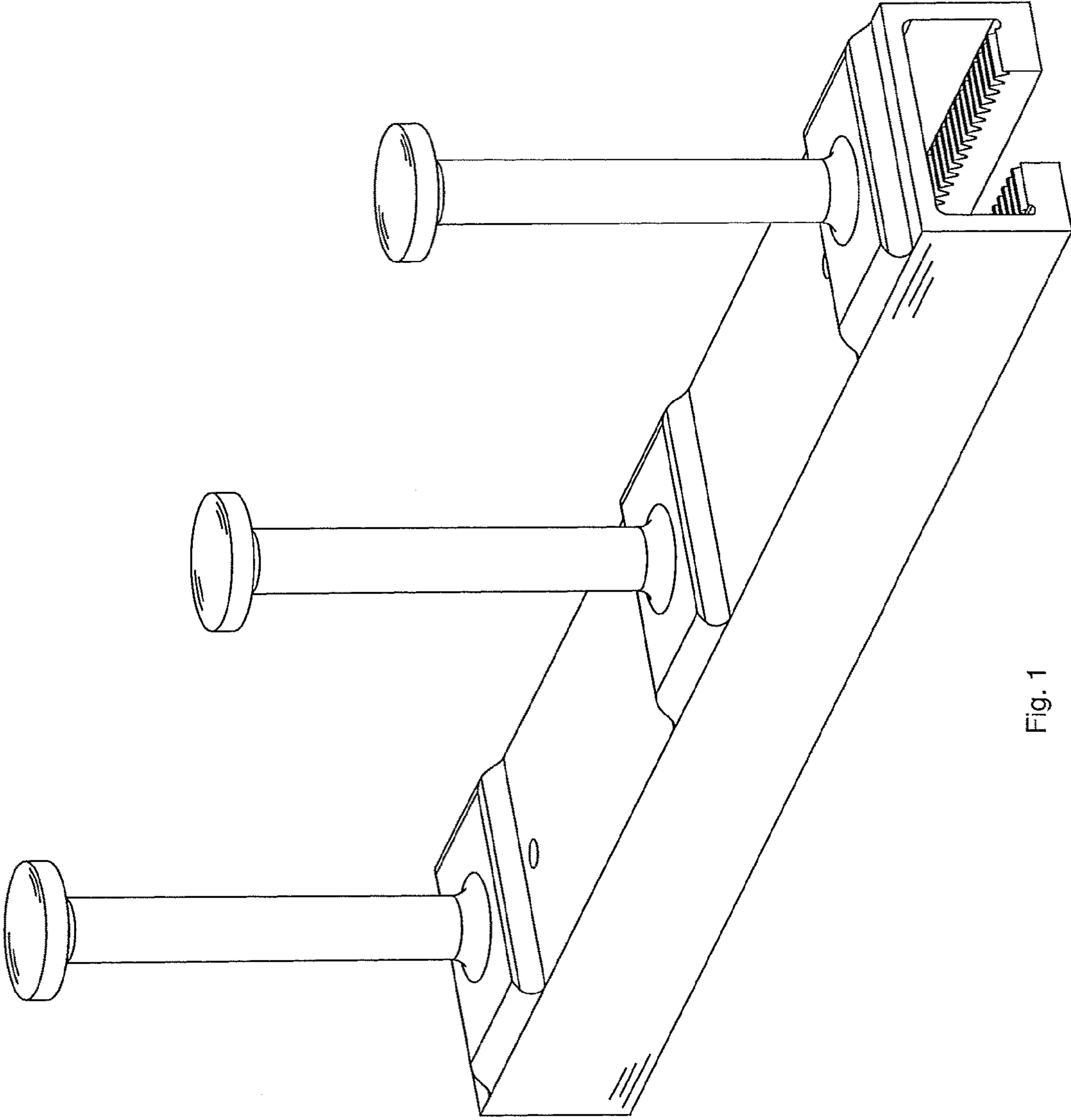


Fig. 1

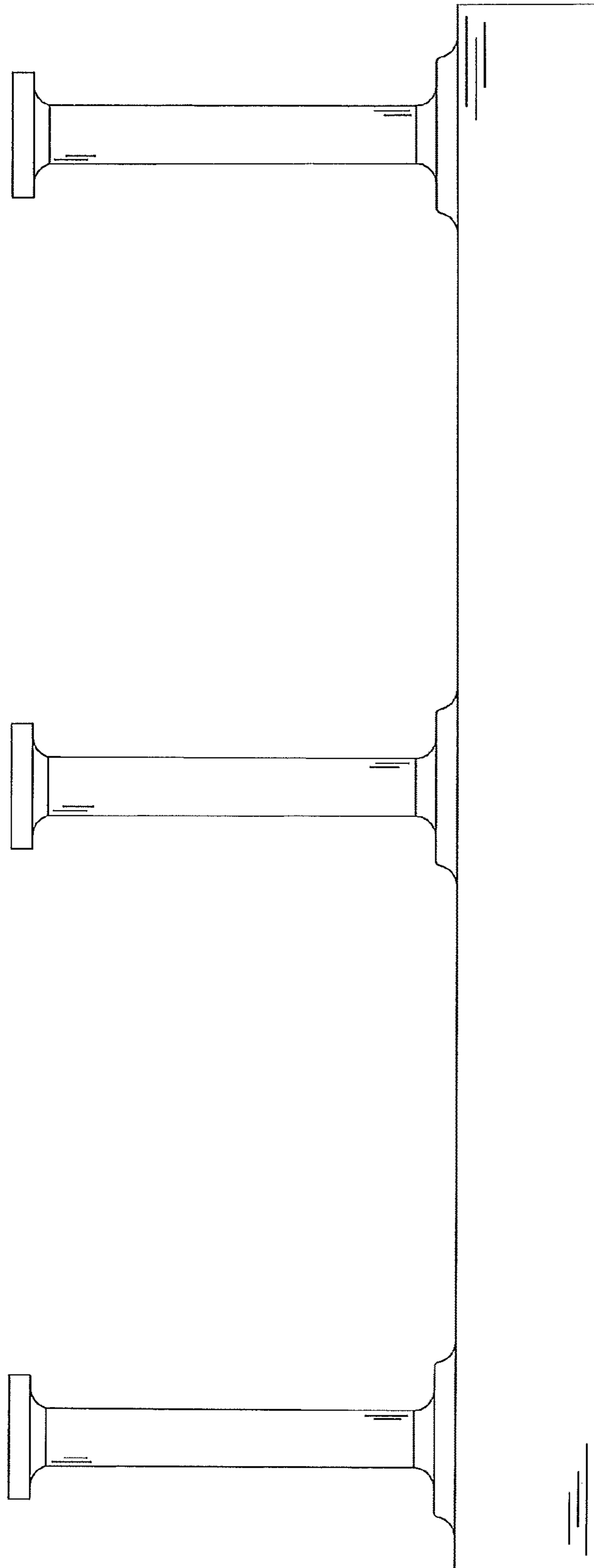


Fig. 2

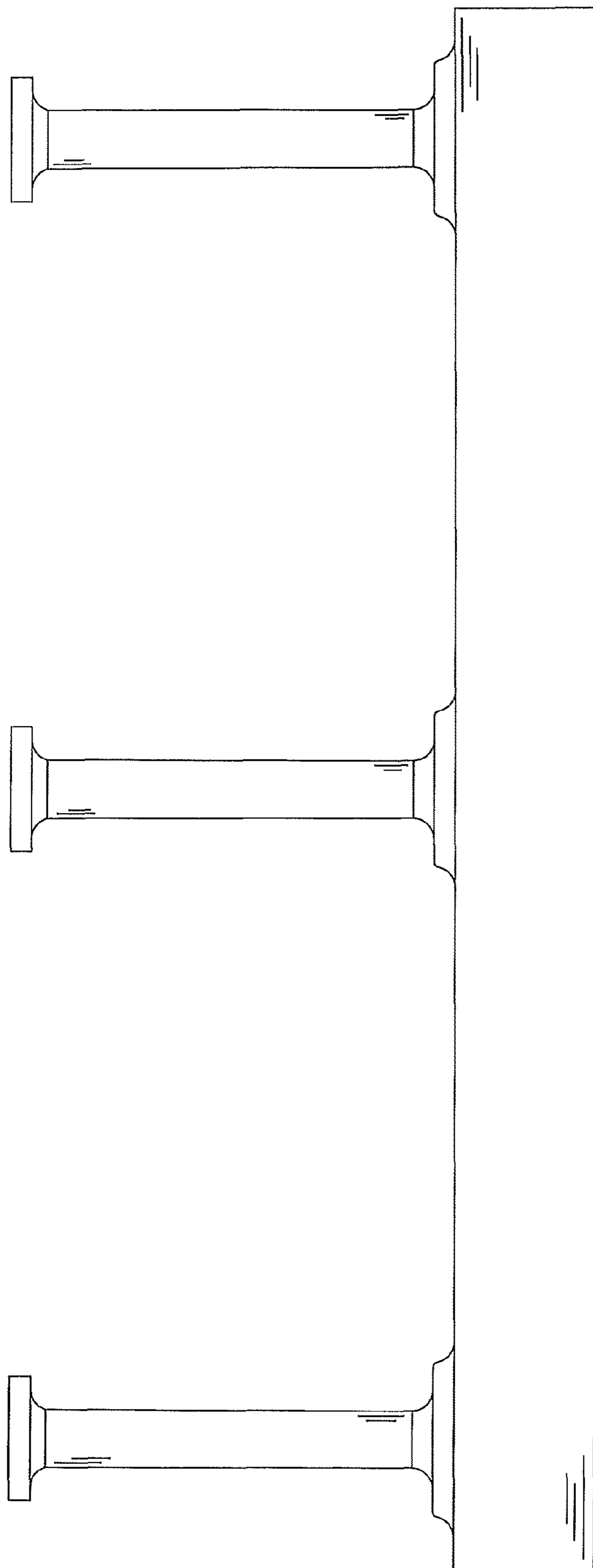


Fig. 3

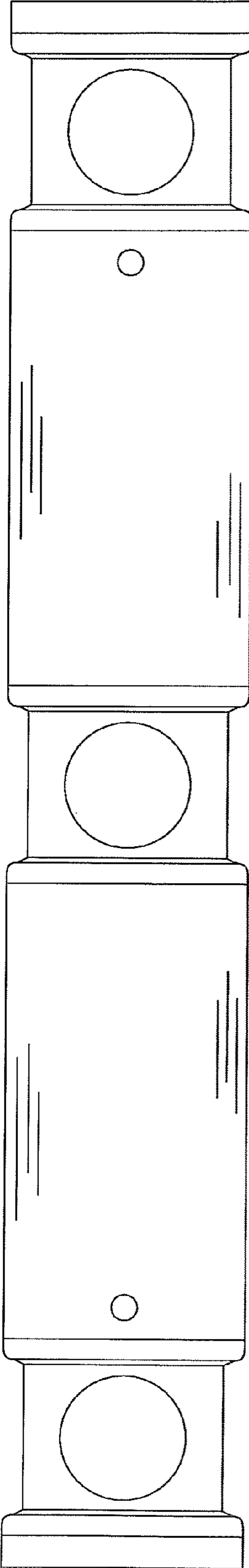


Fig. 4

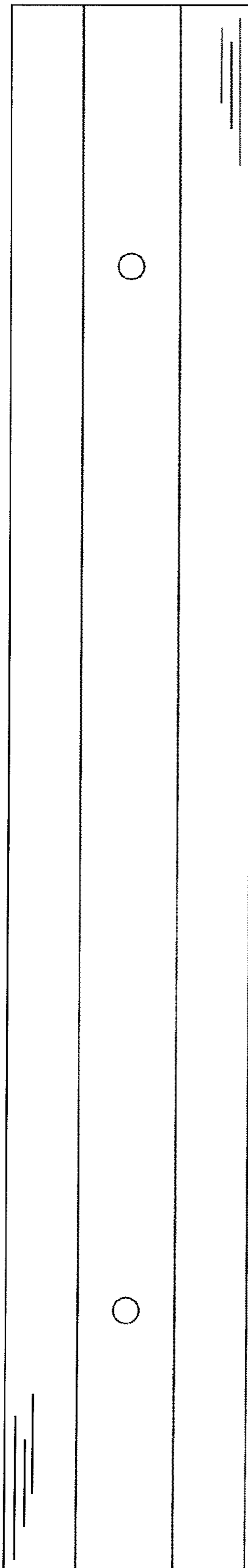


Fig. 5

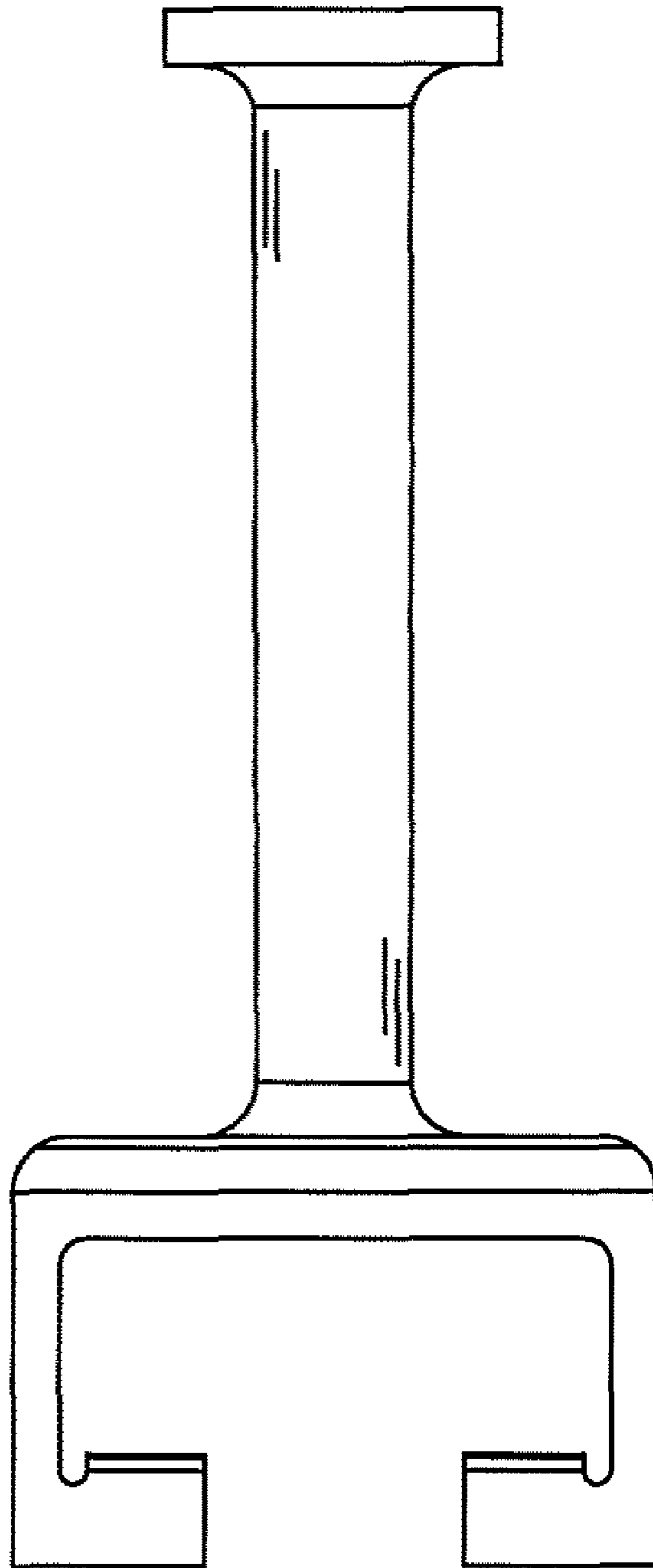


Fig. 6

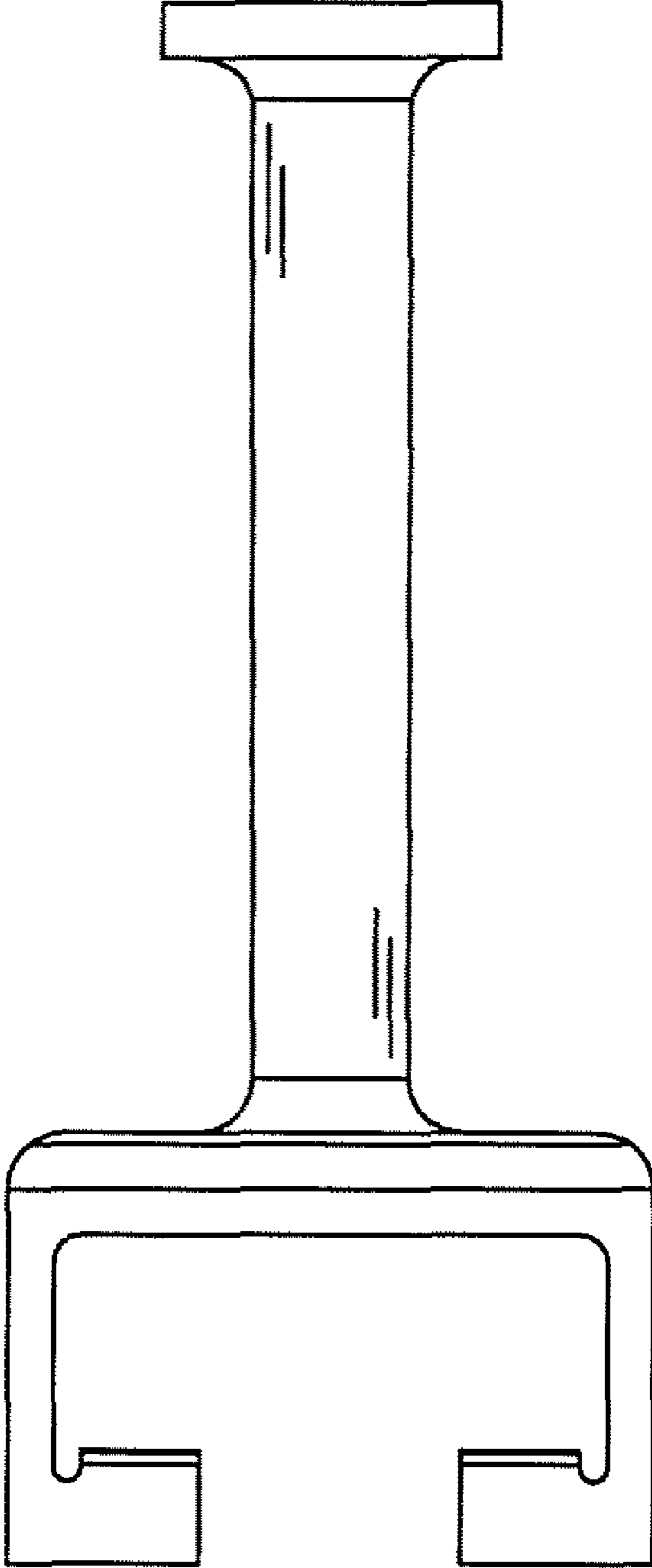


Fig. 7