



US00D651322S

(12) **United States Design Patent**
Svärd

(10) **Patent No.:** **US D651,322 S**

(45) **Date of Patent:** **** Dec. 27, 2011**

(54) **TEST STRIP UNIT**

(75) Inventor: **Kirsi Svärd**, Turku (FI)

(73) Assignee: **Oy Medix Biochemica AB**, Kauniainen (FI)

(**) Term: **14 Years**

(21) Appl. No.: **29/384,708**

(22) Filed: **Feb. 3, 2011**

Related U.S. Application Data

(62) Division of application No. 29/352,704, filed on Dec. 23, 2009, now Pat. No. Des. 634,440.

(30) **Foreign Application Priority Data**

Jun. 24, 2009 (EM) 001560111-0002

Jun. 24, 2009 (EM) 001560111-0005

(51) **LOC (9) Cl.** **24-01**

(52) **U.S. Cl.** **D24/224**

(58) **Field of Classification Search** D24/216-232,
D24/186, 107, 108, 121; D3/201, 203.1,
D3/203.2, 202; D10/81; D9/520, 544, 545,
D9/546, 548, 549, 562, 570; 422/500, 547,
422/554, 556; 356/246; 220/608, 669; 215/377,
215/382; 435/288.1, 288.2, 304.1, 304.2

See application file for complete search history.

(56) **References Cited**

U.S. PATENT DOCUMENTS

3,774,455	A *	11/1973	Seidler et al.	73/444
5,038,794	A *	8/1991	Van Valkenburg	600/576
D322,323	S *	12/1991	Moir	D24/224
D342,141	S *	12/1993	Baxter	D24/224
D367,114	S *	2/1996	Wilson et al.	D24/224
5,879,635	A *	3/1999	Nason	422/521
D429,338	S *	8/2000	Eden	D24/224
D457,645	S *	5/2002	Eden	D24/224
6,878,346	B2 *	4/2005	DeYoung et al.	422/557
D520,643	S *	5/2006	Clarke et al.	D24/216
7,691,326	B2 *	4/2010	Sorenson et al.	422/537
2008/0213131	A1 *	9/2008	Tamai et al.	422/68.1

* cited by examiner

Primary Examiner — Anhdao Doan

(74) *Attorney, Agent, or Firm* — Pierce Atwood, LLP; Kevin M. Farrell, Esq.; Katherine A. Wrobel, Esq.

(57) **CLAIM**

The ornamental design for a test strip unit, as shown and described.

DESCRIPTION

FIG. 1 is an exploded bottom perspective view of a test strip unit;

FIG. 2 is a bottom perspective view of the assembled test strip unit of FIG. 1;

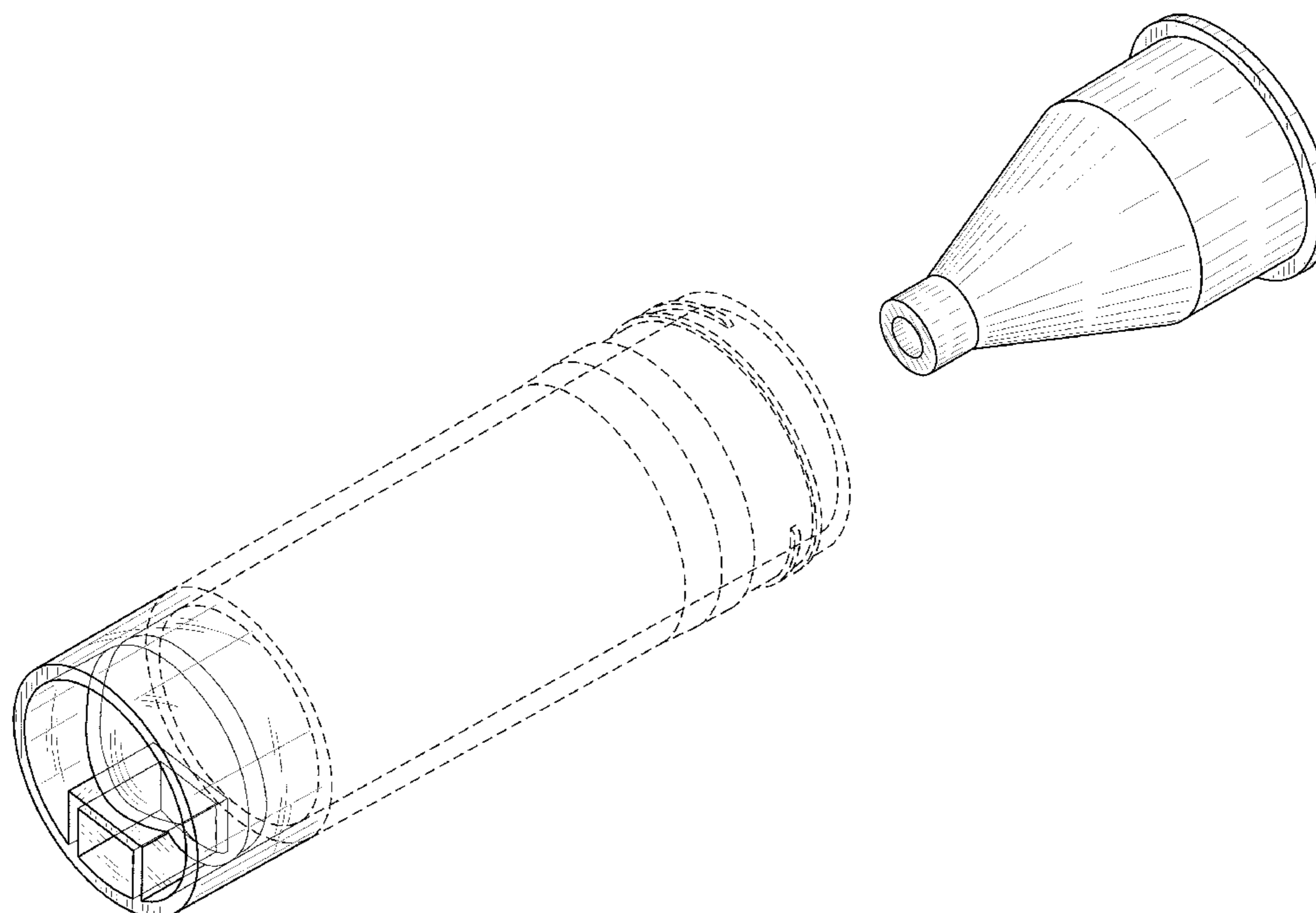
FIG. 3 is a top perspective view thereof;

FIG. 4 is a top view thereof; and,

FIG. 5 is a side view thereof.

The broken lines immediately adjacent the shaded areas represent the bounds of the claim, and all other broken lines are included for the purpose of illustrating portions of the test strip unit that form no part of the claimed design. None of the broken lines form a part of the claimed design.

1 Claim, 3 Drawing Sheets



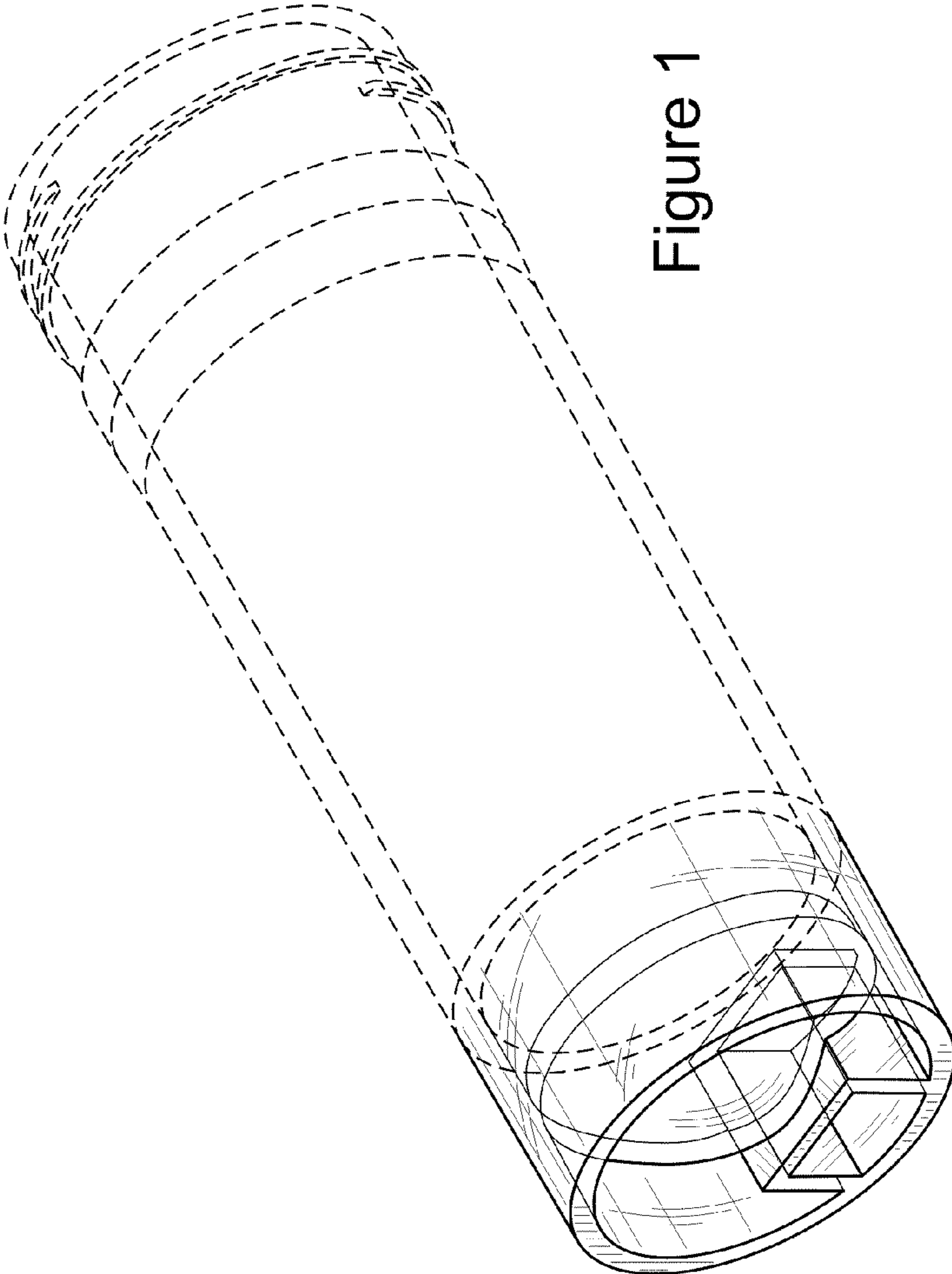
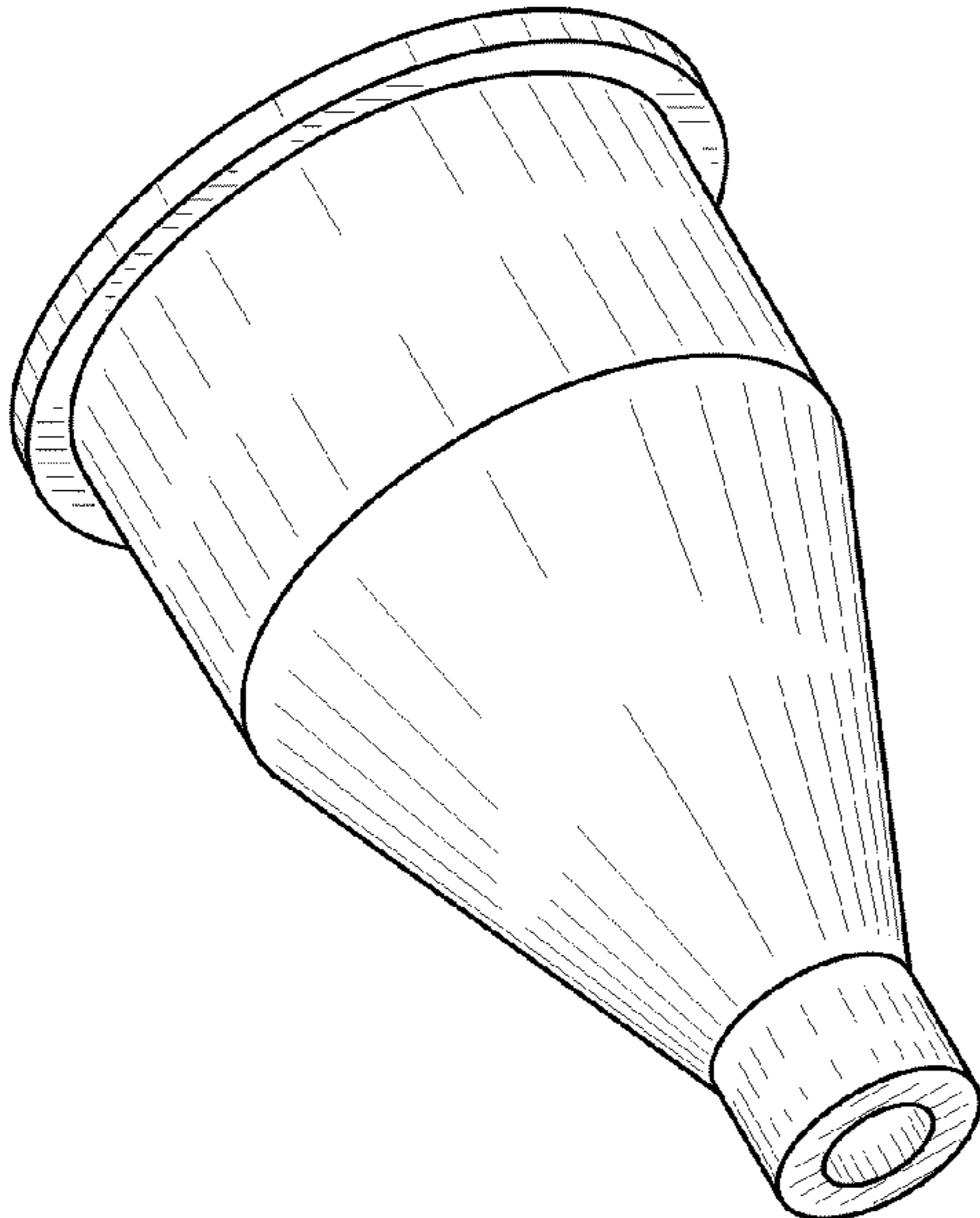


Figure 1

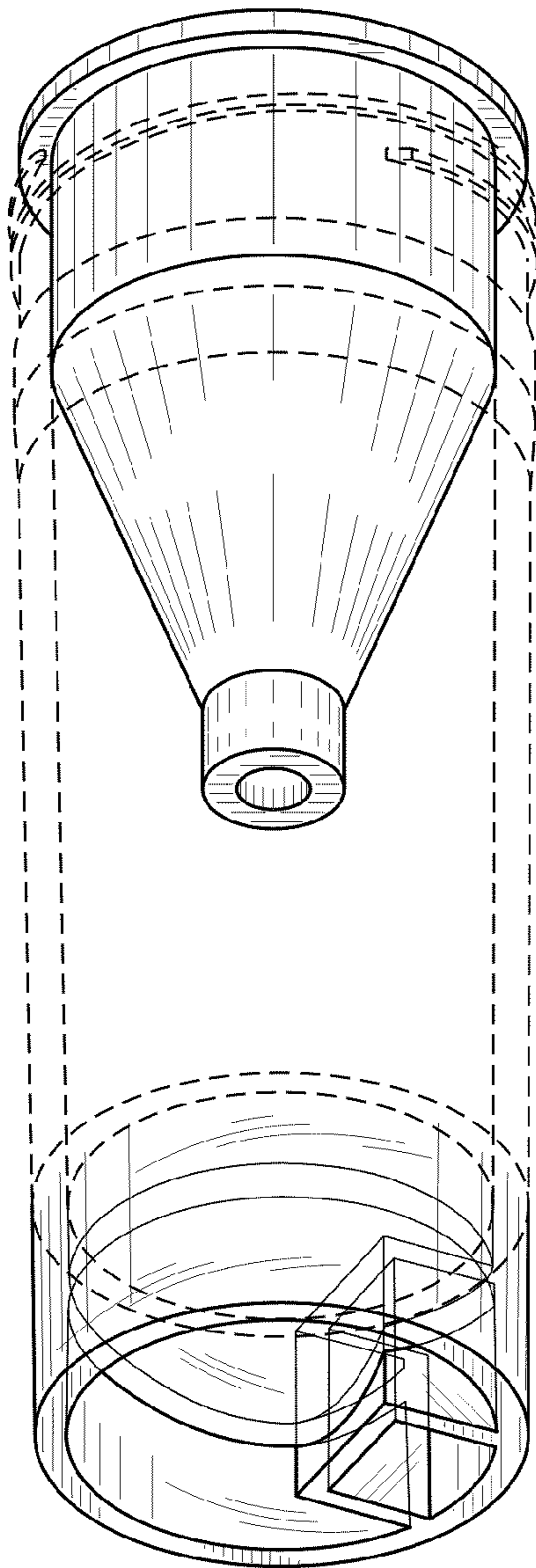


Figure 2

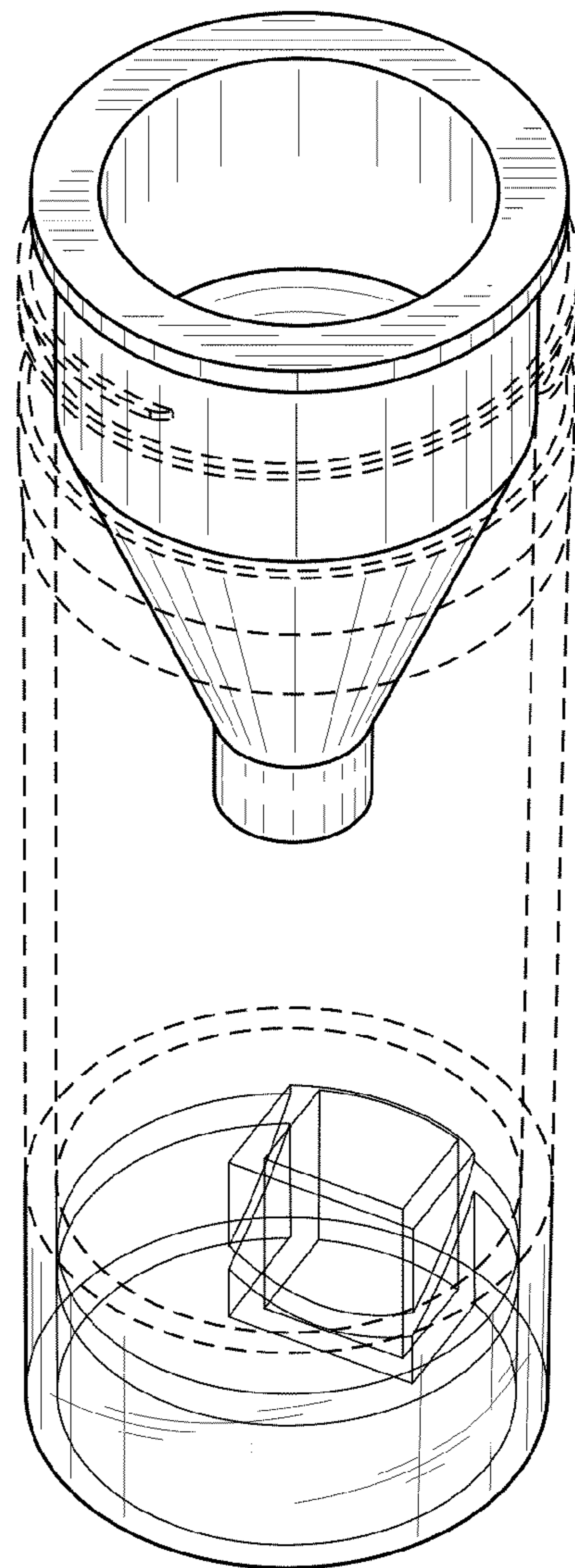


Figure 3

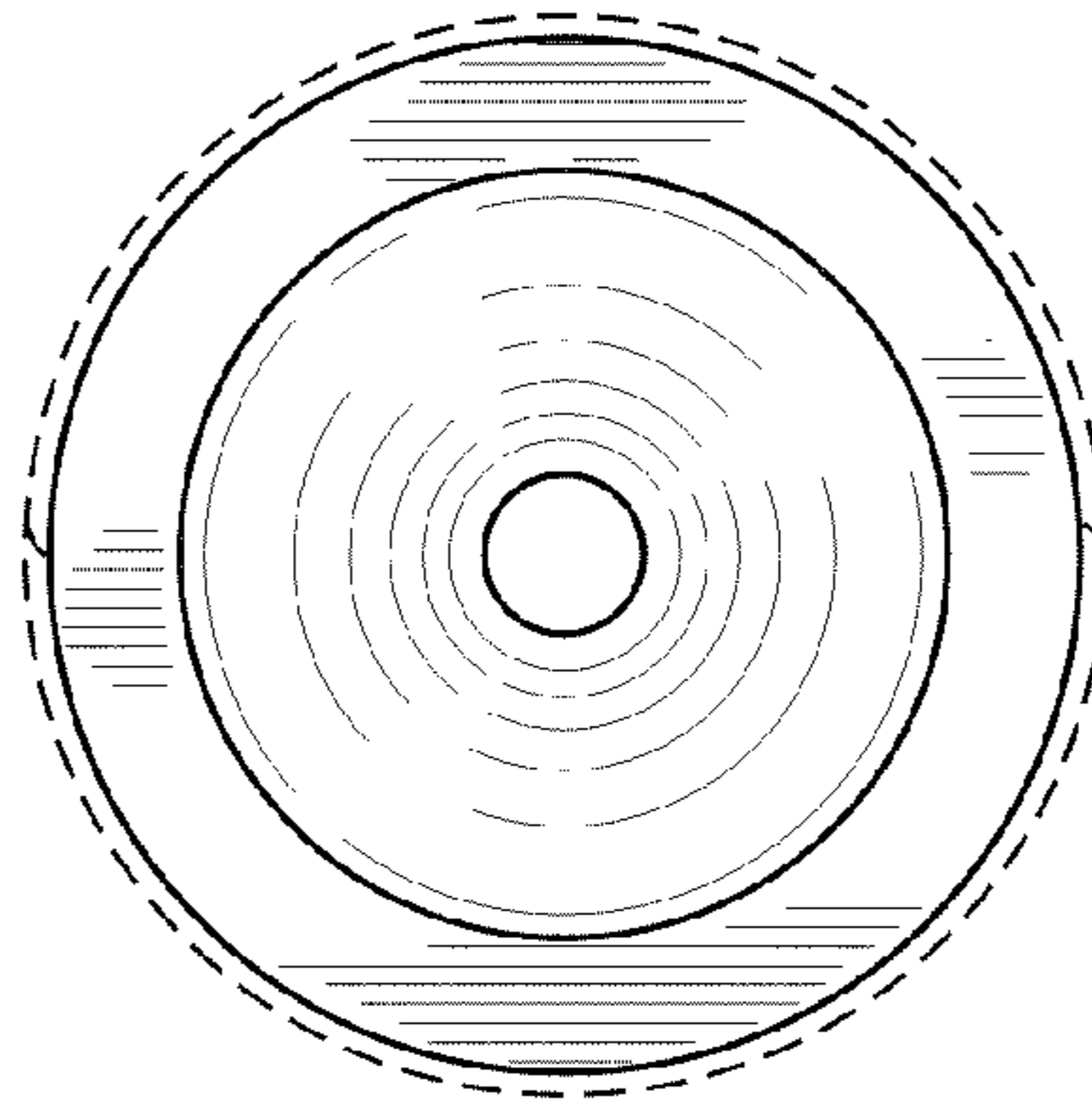


Figure 4

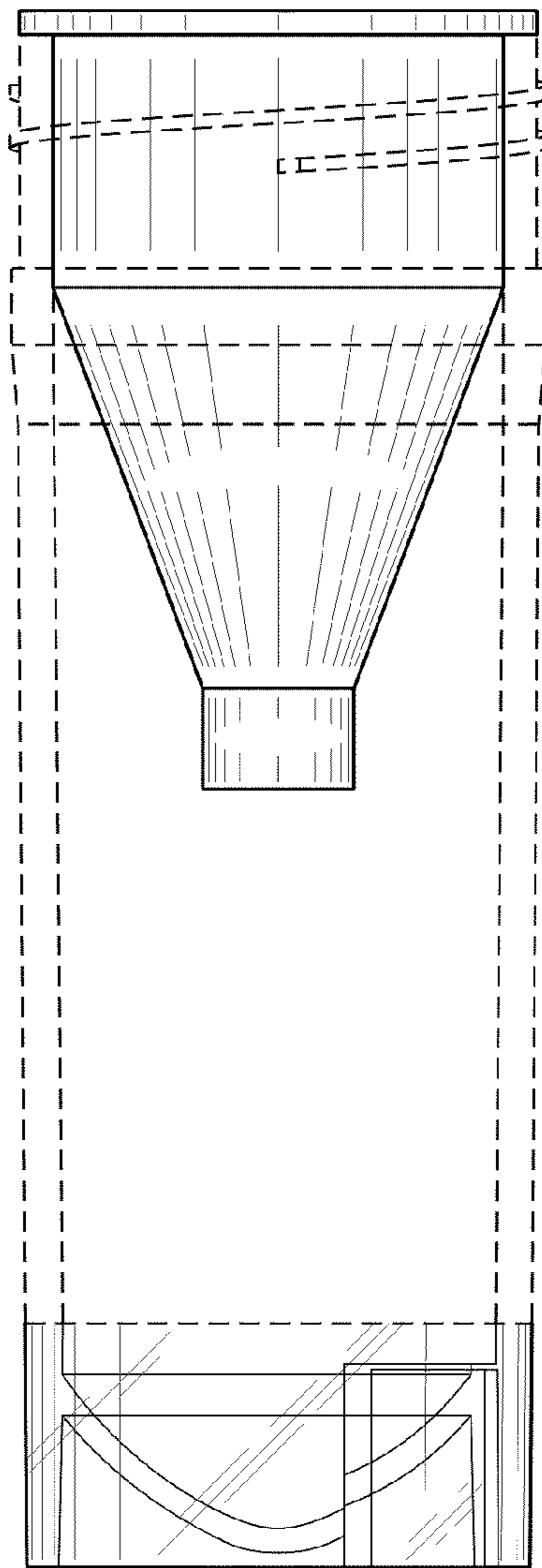


Figure 5