



US00D651321S

(12) **United States Design Patent**
Marchese et al.

(10) **Patent No.:** **US D651,321 S**
(45) **Date of Patent:** **** Dec. 27, 2011**

- (54) **HANDPIECE FOR DELIVERING LIGHT THERAPY**
- (76) Inventors: **Steve Marchese**, Costa Mesa, CA (US);
Stan Stanbridge, Costa Mesa, CA (US)
- (**) Term: **14 Years**
- (21) Appl. No.: **29/390,685**
- (22) Filed: **Apr. 28, 2011**

D576,285	S	*	9/2008	Kennedy	D24/209
D582,048	S	*	12/2008	Chiu	D24/200
D601,803	S	*	10/2009	Reishus et al.	D4/102
D610,694	S	*	2/2010	Baldacchini	D24/209
7,722,655	B2	*	5/2010	Lee	607/88
D623,308	S	*	9/2010	Kramer	D24/209
D636,933	S	*	4/2011	Newman	D4/102
D639,469	S	*	6/2011	Zhuang	D26/37
2003/0151925	A1	*	8/2003	Crunk	362/545
2007/0032843	A1	*	2/2007	Hsu	607/88
2008/0119913	A1	*	5/2008	Powell et al.	607/88

* cited by examiner

Related U.S. Application Data

- (63) Continuation-in-part of application No. 12/205,199, filed on Sep. 5, 2008.
- (51) **LOC (9) Cl.** **28-03**
- (52) **U.S. Cl.** **D24/209**
- (58) **Field of Classification Search** D24/210,
D24/209, 200, 158, 176; D26/29, 37, 39,
D26/41, 104; 606/2-4, 16, 131; 607/88-95;
433/29; 601/15, DIG. 5; D4/102; 362/545
See application file for complete search history.

References Cited

U.S. PATENT DOCUMENTS

D520,143	S	*	5/2006	Yoneda	D24/209
D539,916	S	*	4/2007	Baldacchini	D24/200

Primary Examiner — David Muller

(74) *Attorney, Agent, or Firm* — Koppel, Patrick, Heybl & Philpott; Michael J. Ram

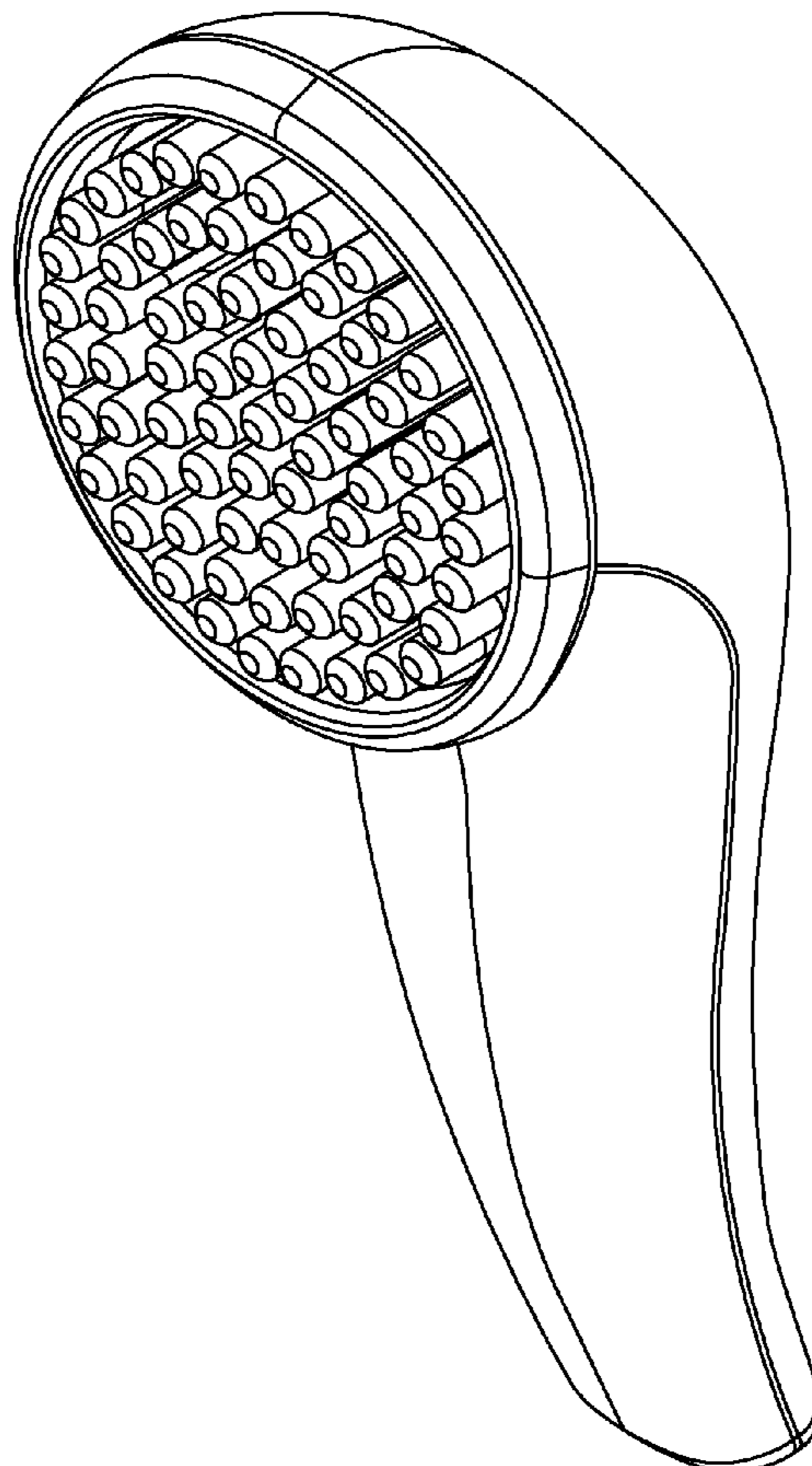
(57) **CLAIM**

The ornamental design for a handpiece for delivering light therapy, as shown and described.

DESCRIPTION

FIG. 1 is a front perspective view of a handpiece for delivering light therapy;
FIG. 2 is a rear perspective view thereof;
FIG. 3 is a front elevation view thereof;
FIG. 4 is a left side elevation view thereof;
FIG. 5 is a right side elevation view thereof;
FIG. 6 is a top plan view thereof; and,
FIG. 7 is a bottom plan view thereof.

1 Claim, 5 Drawing Sheets



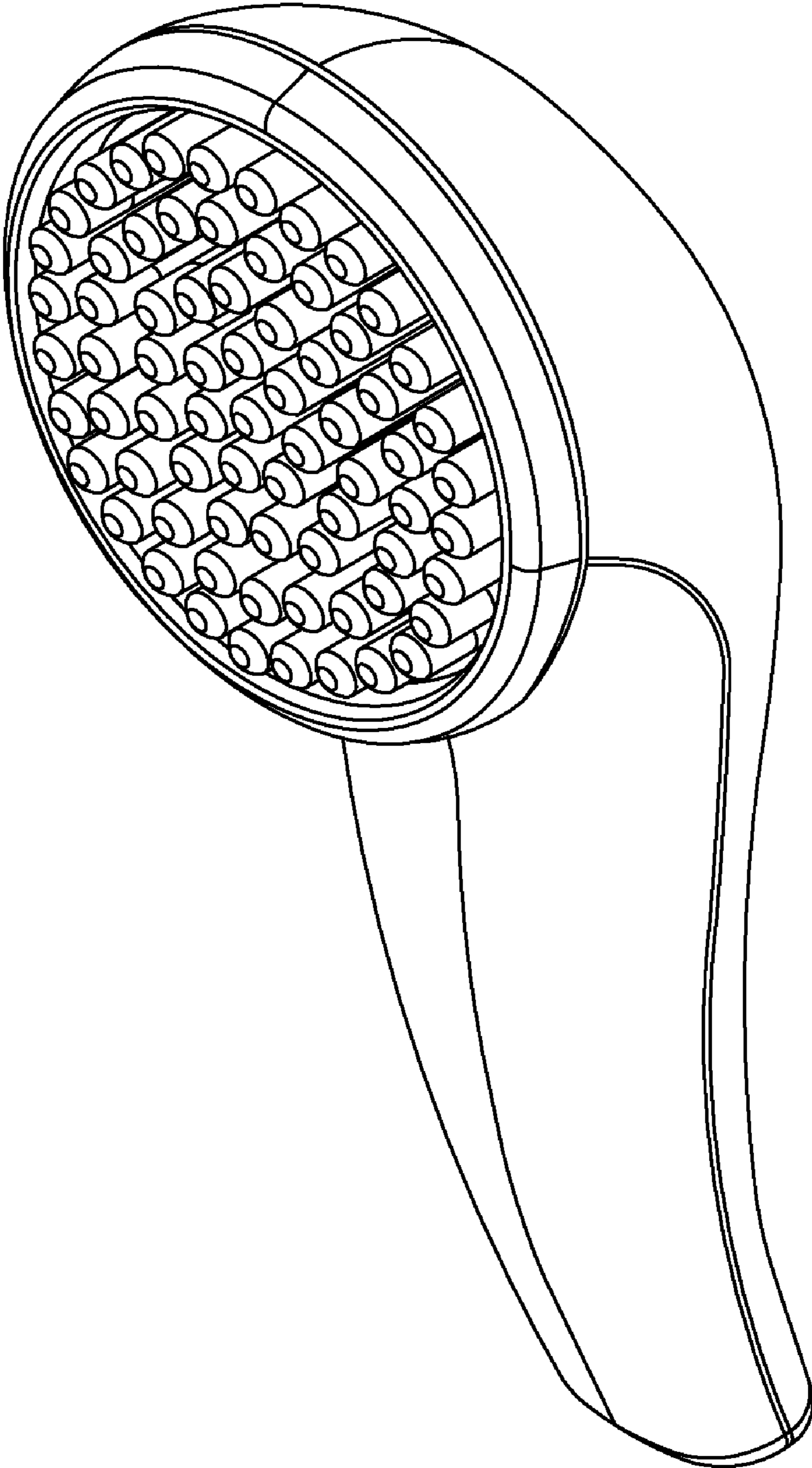


FIG. 1

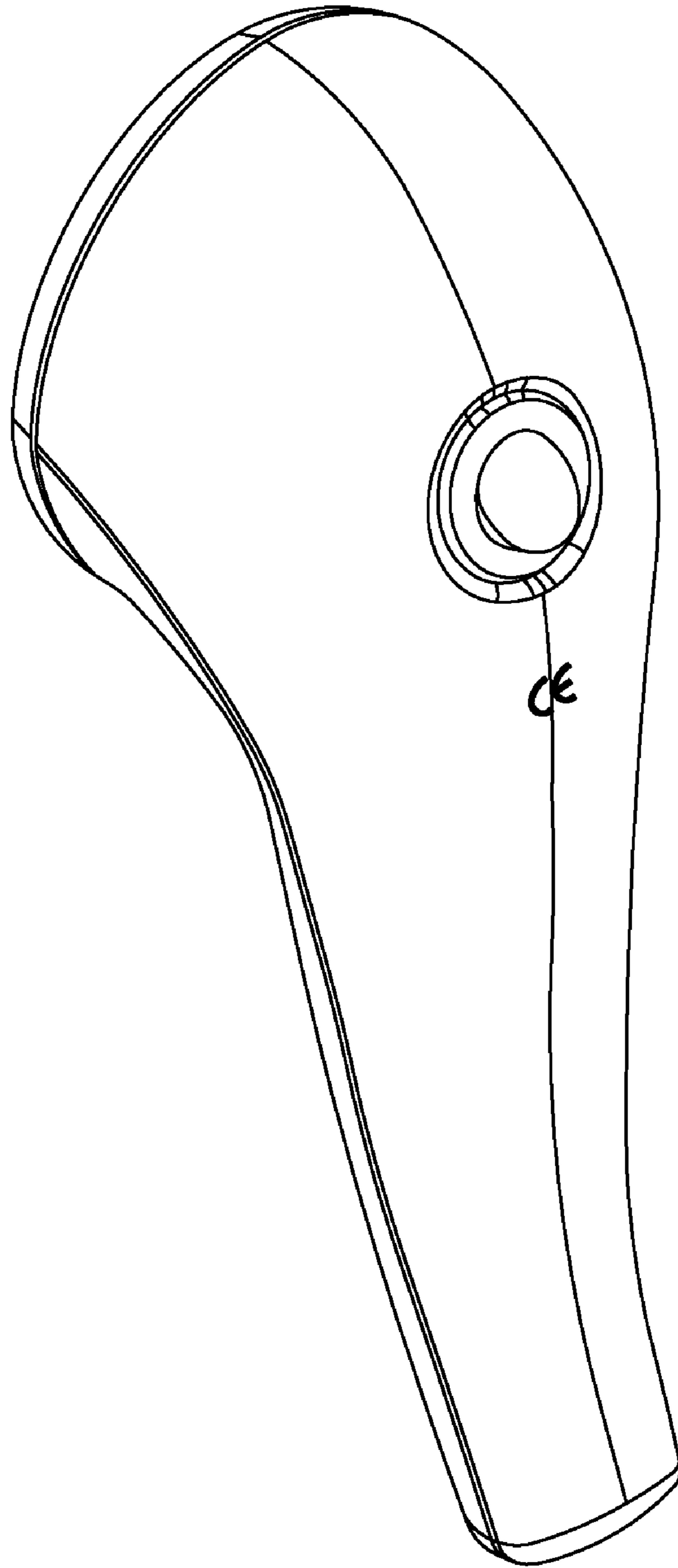


FIG. 2

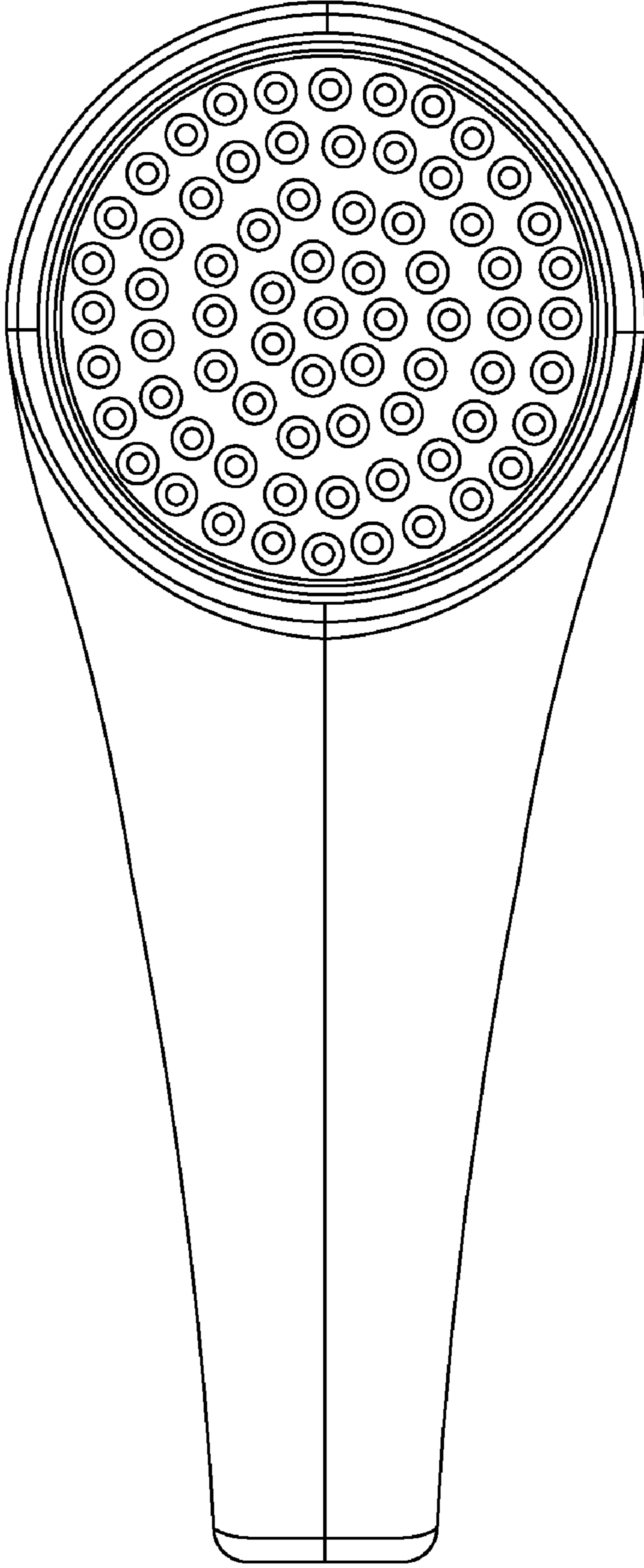


FIG. 3

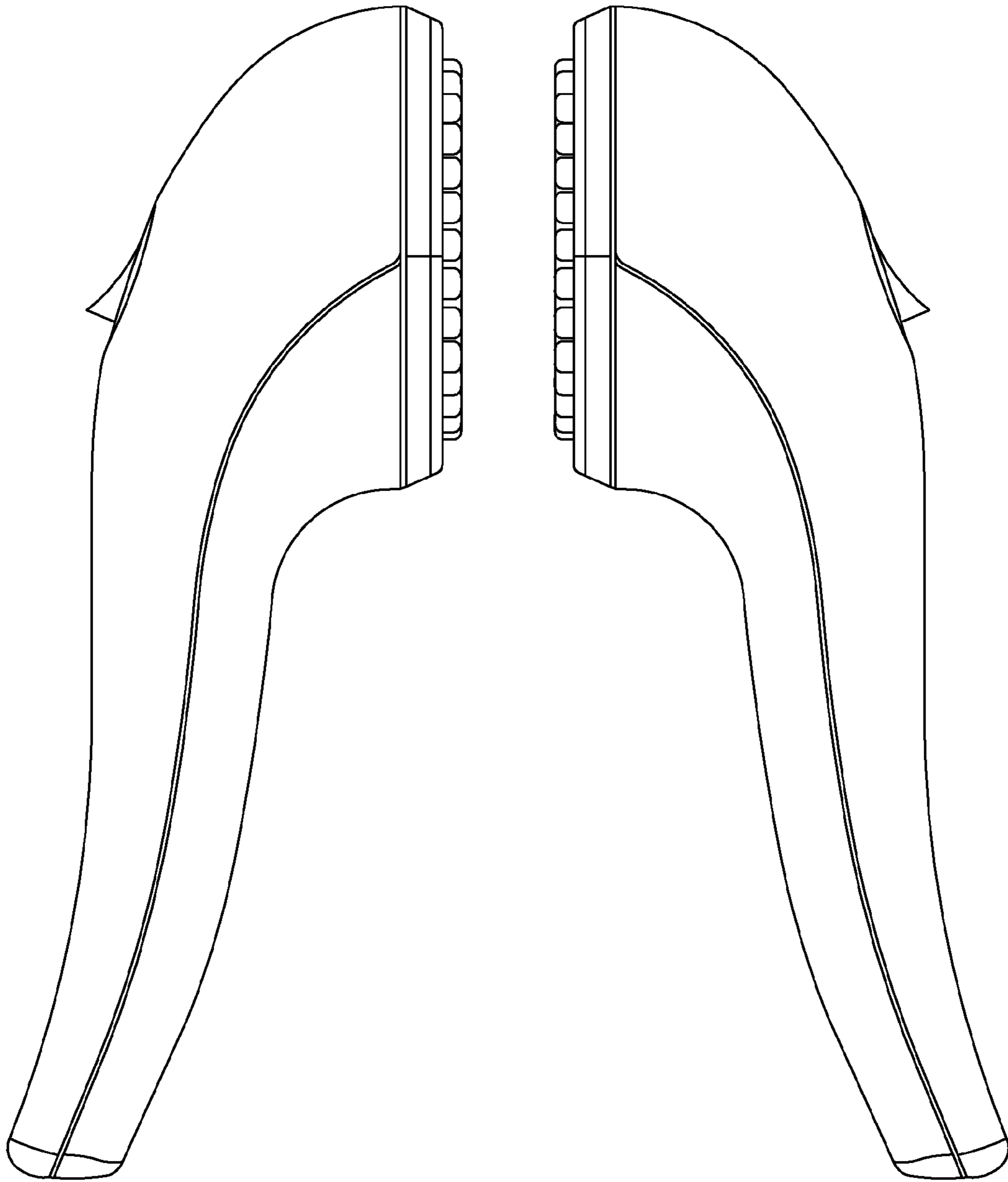


FIG. 4

FIG. 5

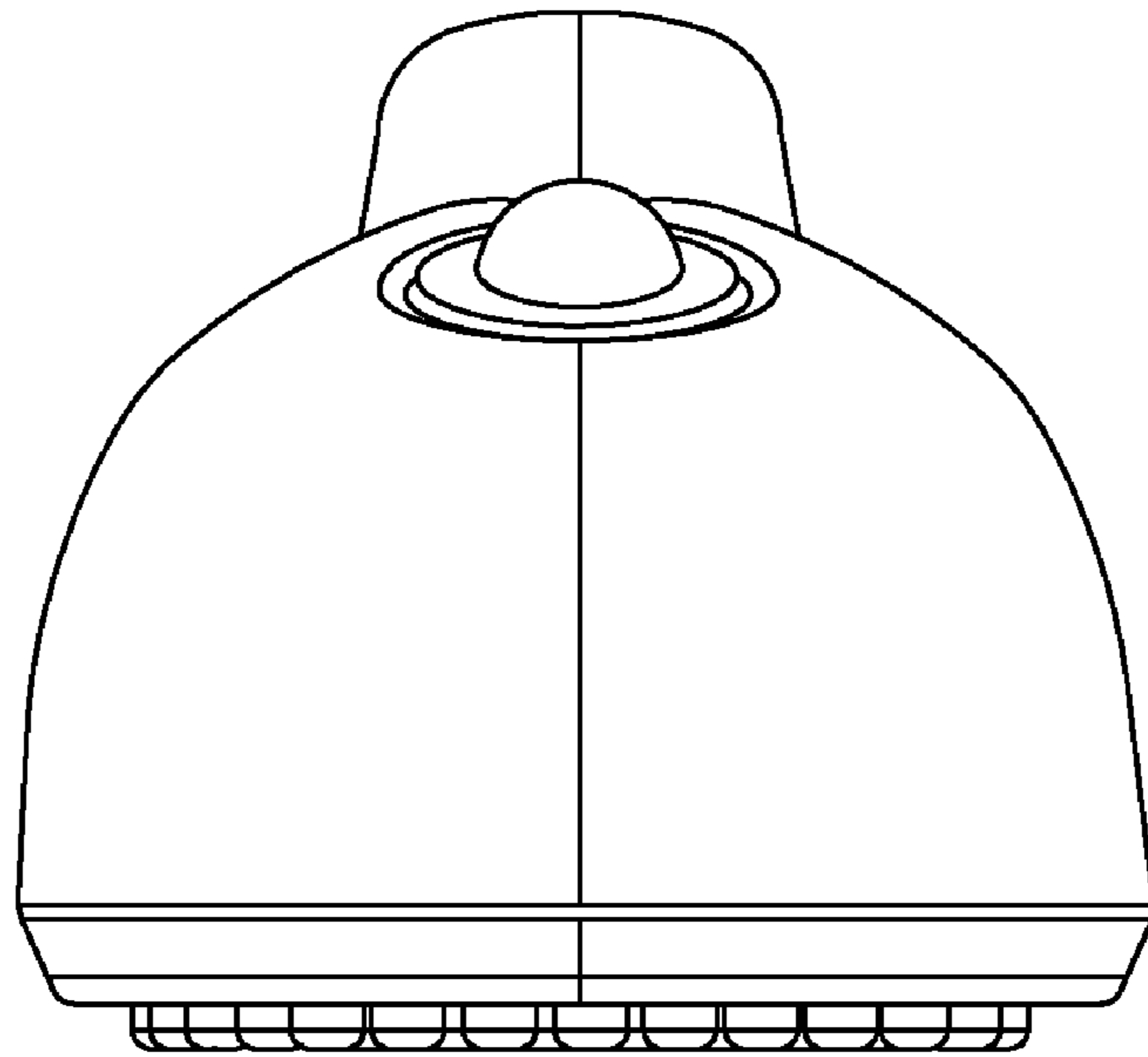


FIG. 6

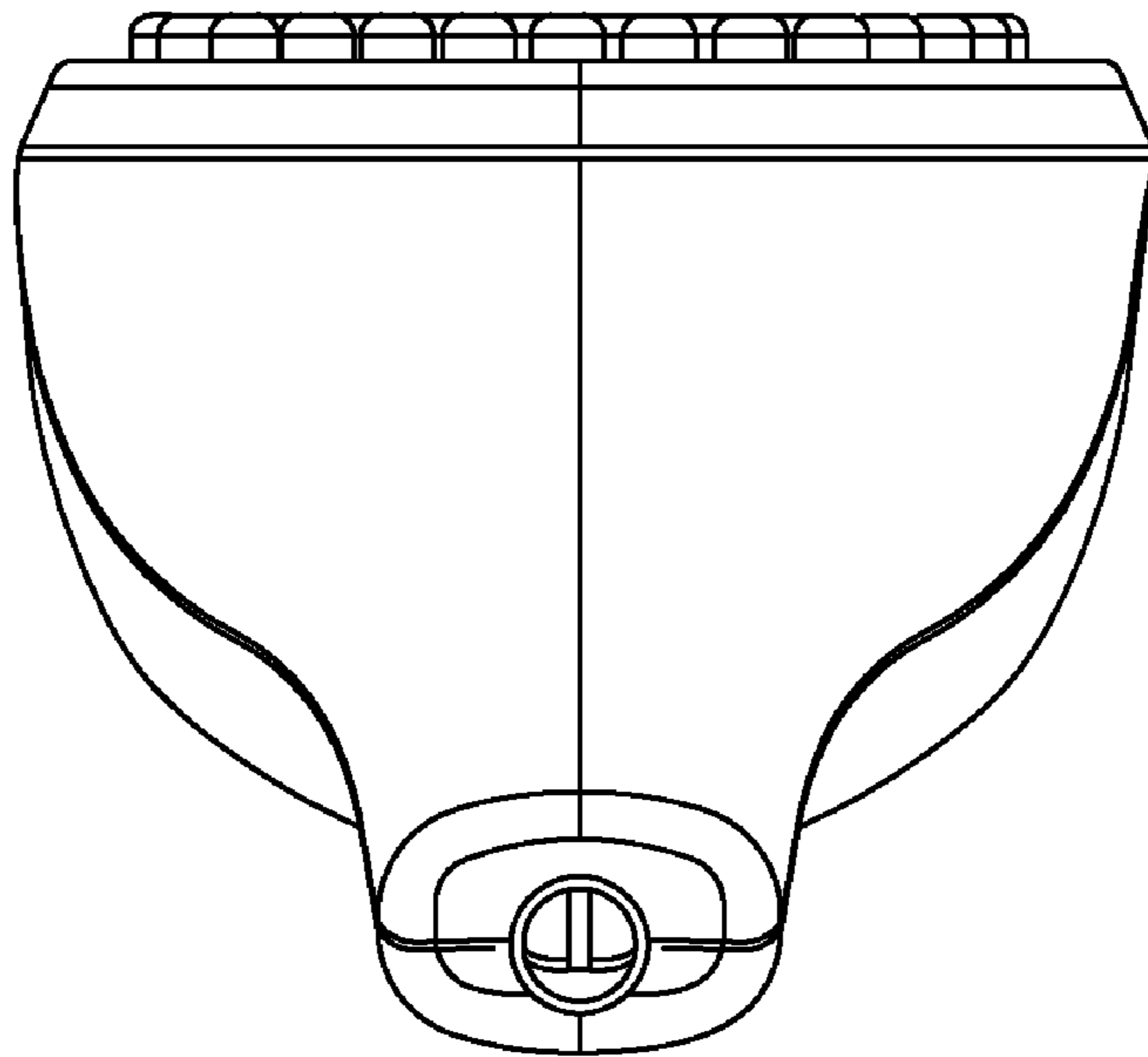


FIG. 7