



US00D651318S

(12) **United States Design Patent**  
**Cronin et al.**

(10) **Patent No.:** **US D651,318 S**

(45) **Date of Patent:** **\*\* Dec. 27, 2011**

(54) **FEMORAL RESECTION ALIGNMENT TOOL**

(75) Inventors: **Shaun R. Cronin**, Fort Wayne, IN (US);  
**Scott E. Dykema**, Warsaw, IN (US);  
**Sampath Kumar Haranahally**  
**Kalachar**, Warsaw, IN (US); **Vijayraj**  
**Nangli**, Warsaw, IN (US)

(73) Assignee: **Zimmer, Inc.**, Warsaw, IN (US)

(\*\*) Term: **14 Years**

(21) Appl. No.: **29/363,250**

(22) Filed: **Jun. 7, 2010**

(51) **LOC (9) Cl.** ..... **24-02**

(52) **U.S. Cl.** ..... **D24/140**

(58) **Field of Classification Search** ..... D24/133,  
D24/140, 143, 144, 145, 146, 147, 155, 171;  
606/1, 53, 86 R, 87, 88, 89, 99, 105, 205,  
606/206, 211, 916, 237

See application file for complete search history.

(56) **References Cited**

U.S. PATENT DOCUMENTS

D274,094	S	*	5/1984	Kenna	.....	D24/140
4,703,751	A	*	11/1987	Pohl	.....	606/62
D367,706	S	*	3/1996	Stalcup et al.	.....	D24/140
5,662,656	A	*	9/1997	White	.....	606/88
5,910,143	A	*	6/1999	Cripe et al.	.....	606/87
6,159,216	A	*	12/2000	Burkinshaw et al.	.....	606/88
D459,806	S	*	7/2002	Webb	.....	D24/150

D459,807	S	*	7/2002	Webb	.....	D24/150
6,575,980	B1	*	6/2003	Robie et al.	.....	606/88
2006/0064105	A1	*	3/2006	Raistrick et al.	.....	606/87

\* cited by examiner

*Primary Examiner* — Bridget L Eland

(74) *Attorney, Agent, or Firm* — Baker & Daniels LLP

(57) **CLAIM**

The ornamental design for a femoral resection alignment tool, as shown and described.

**DESCRIPTION**

FIG. 1 is a perspective view of a femoral resection alignment tool shown in an environment illustrating our new design; FIG. 2 is a top plan view of the femoral resection alignment tool shown removed from its environment in order to show aspects of the design that are not apparent in the perspective view;

FIG. 3 is a bottom plan view thereof;

FIG. 4 is a right side elevation view thereof;

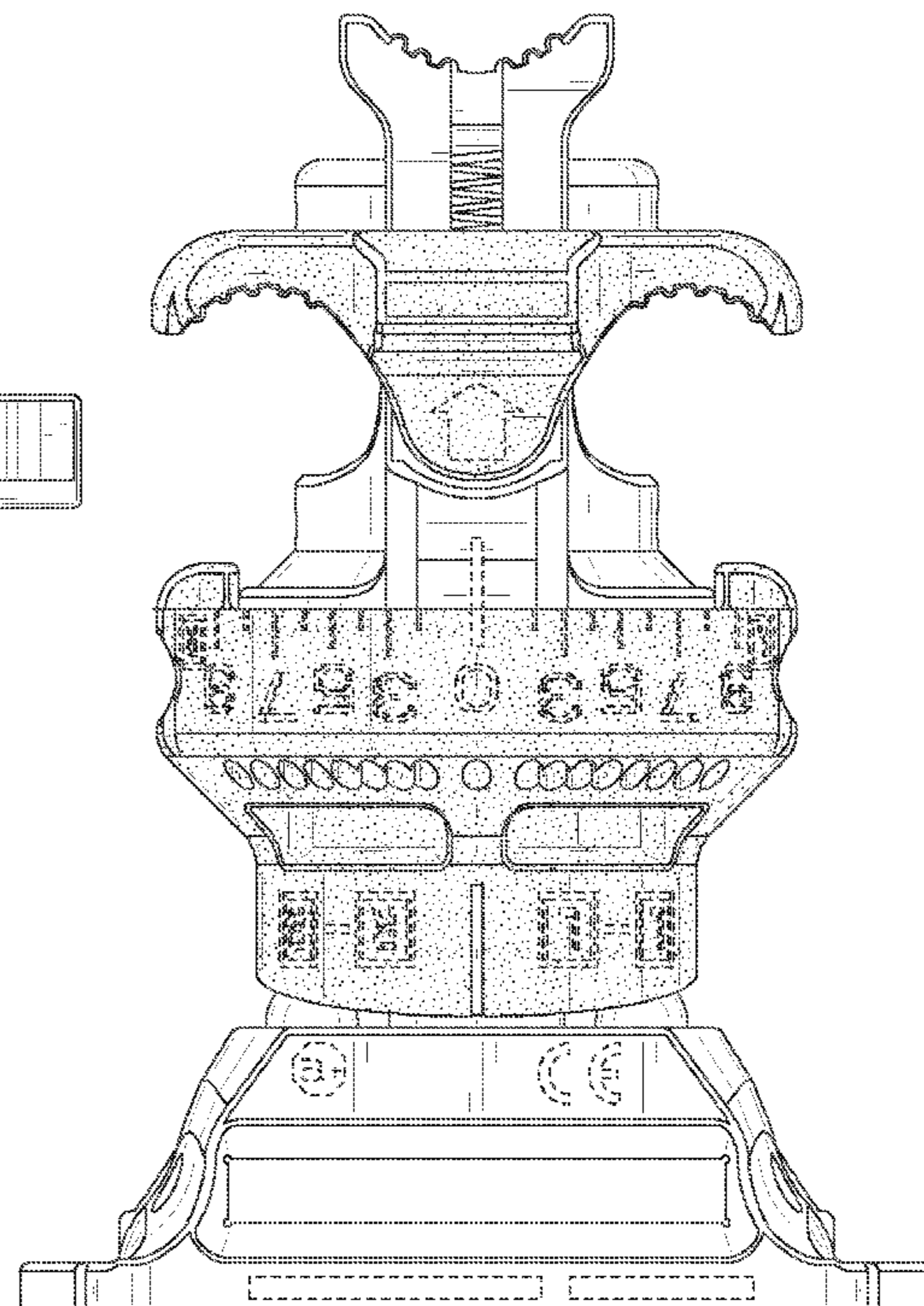
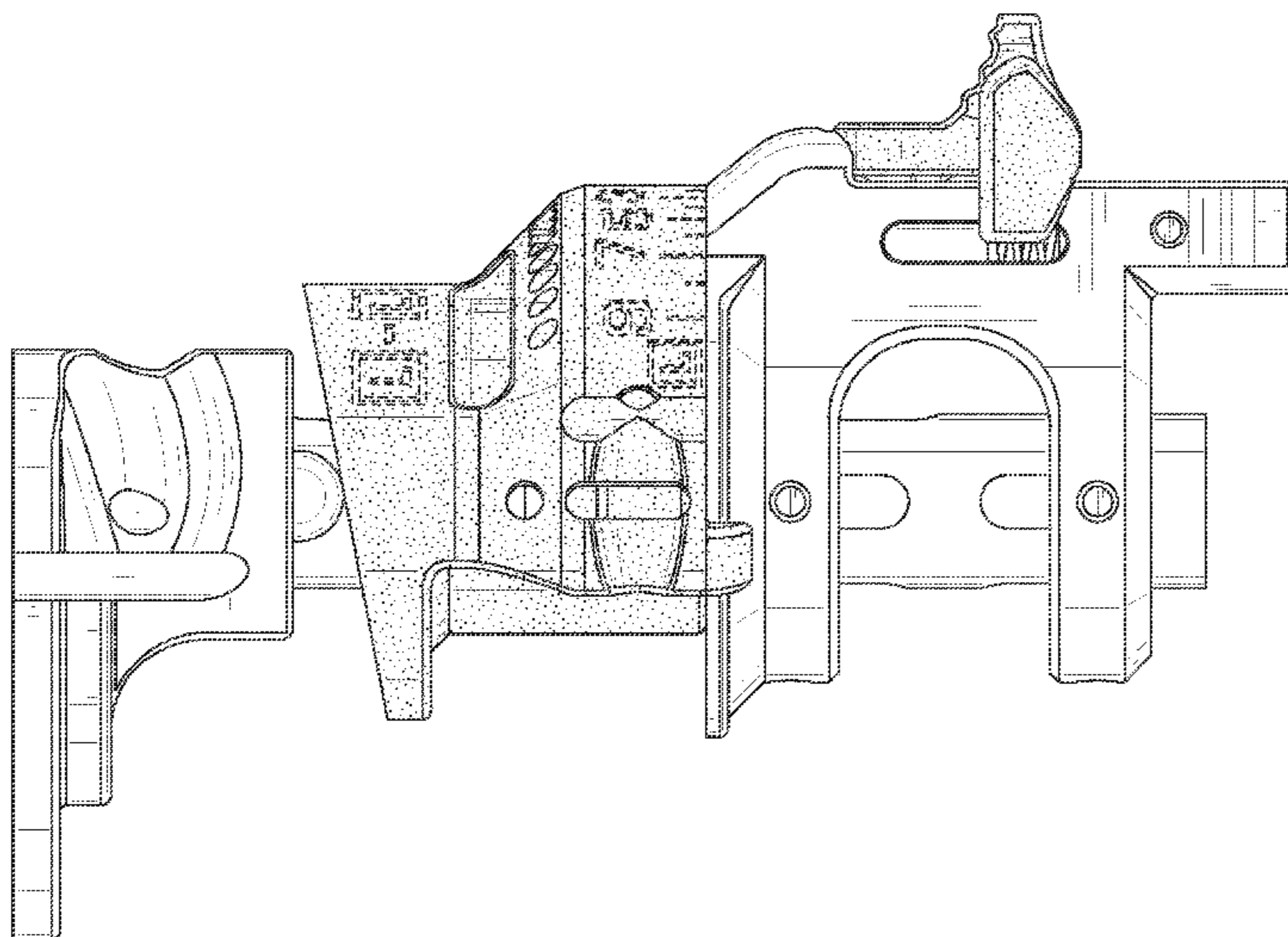
FIG. 5 is a left side elevation view thereof;

FIG. 6 is a front end elevation view thereof; and,

FIG. 7 is a rear end elevation view thereof.

The evenly spaced broken lines shown that are immediately adjacent the shaded areas, and define unshaded regions, represent unclaimed boundaries while the remaining evenly spaced broken lines and the dot-dash broken lines are directed to environment and are for illustrative purposes only; the broken lines form no part of the claimed design.

**1 Claim, 7 Drawing Sheets**



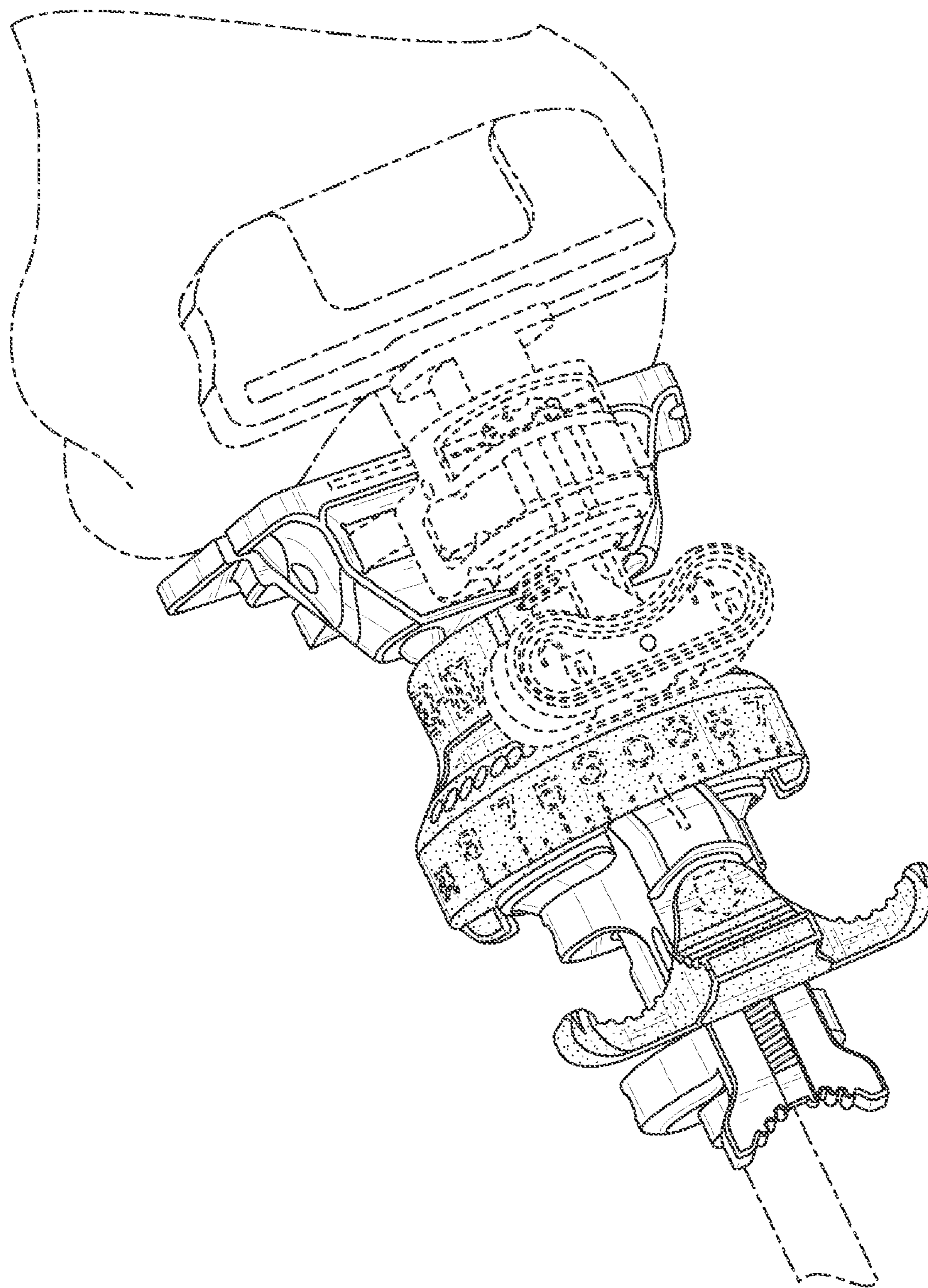


FIG. 1

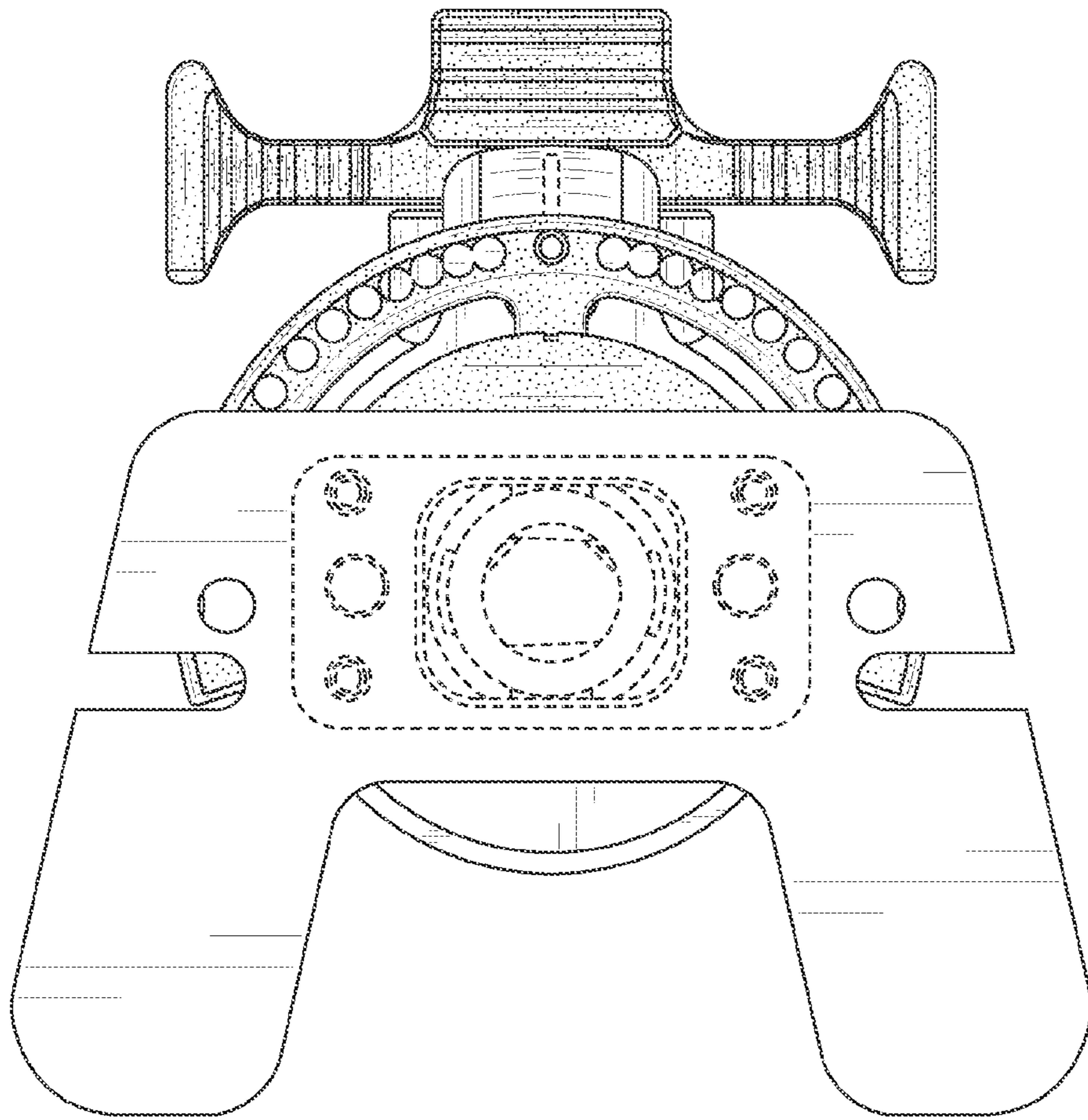


FIG. 2

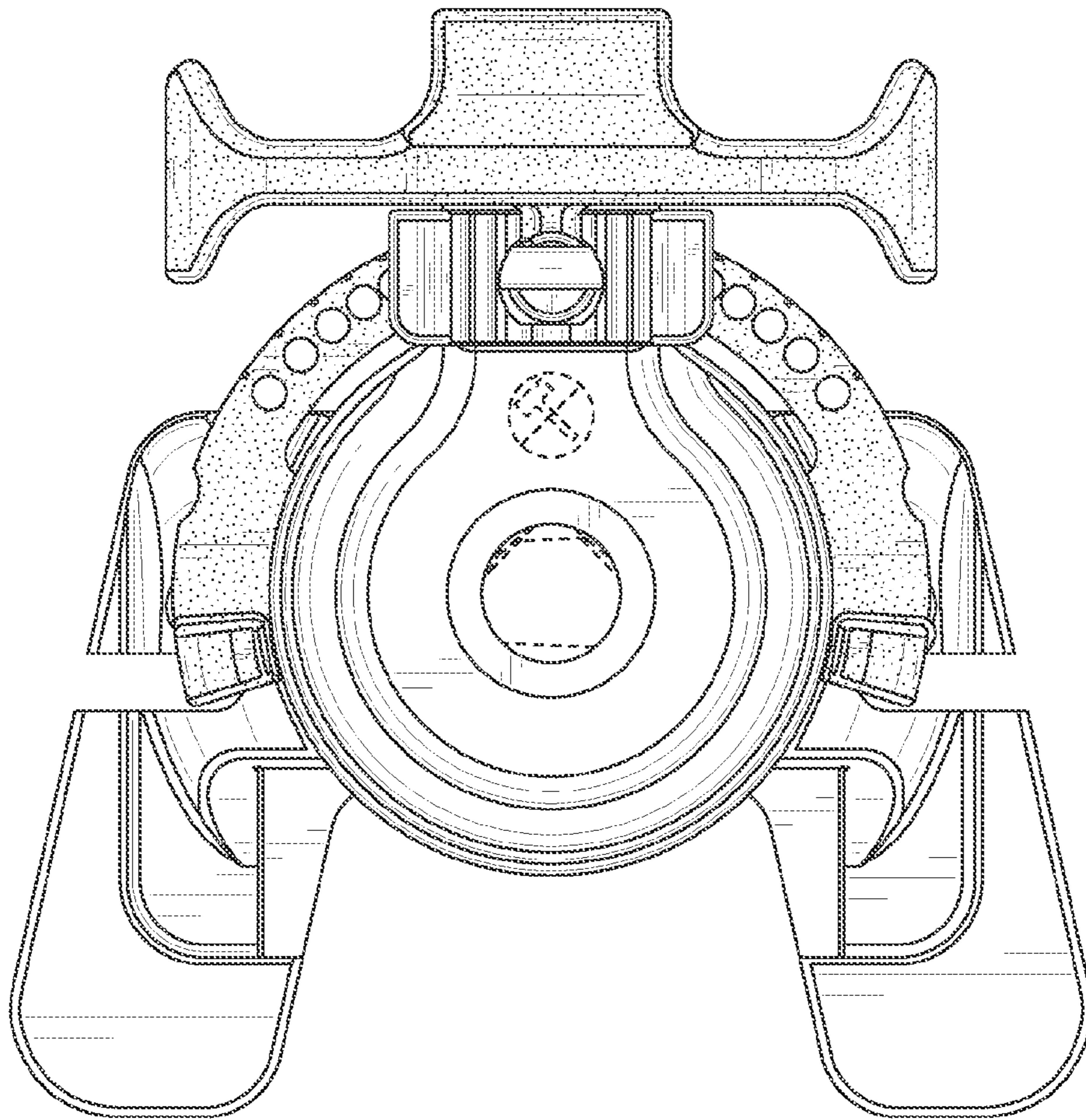


FIG. 3

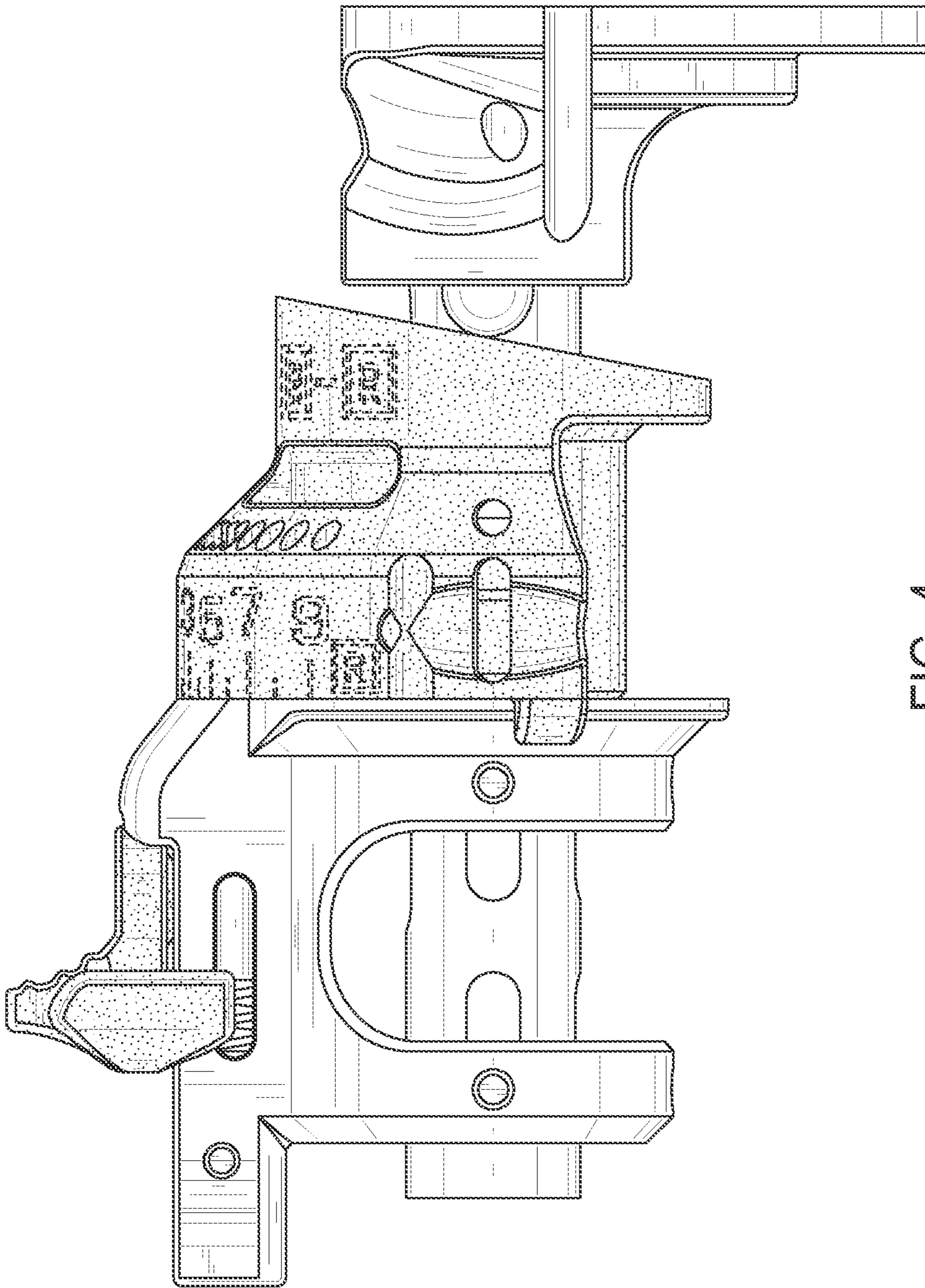


FIG. 4

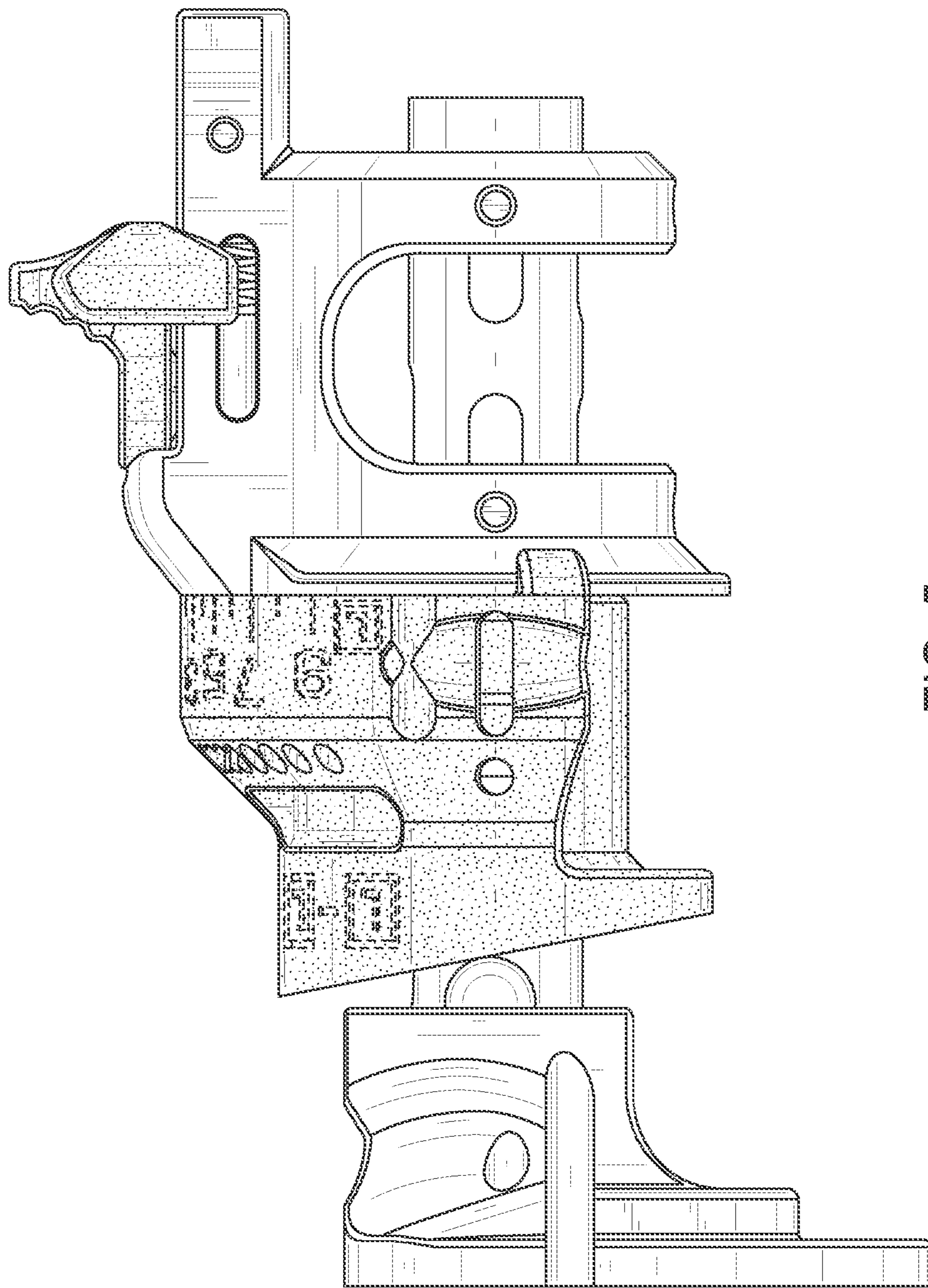


FIG. 5

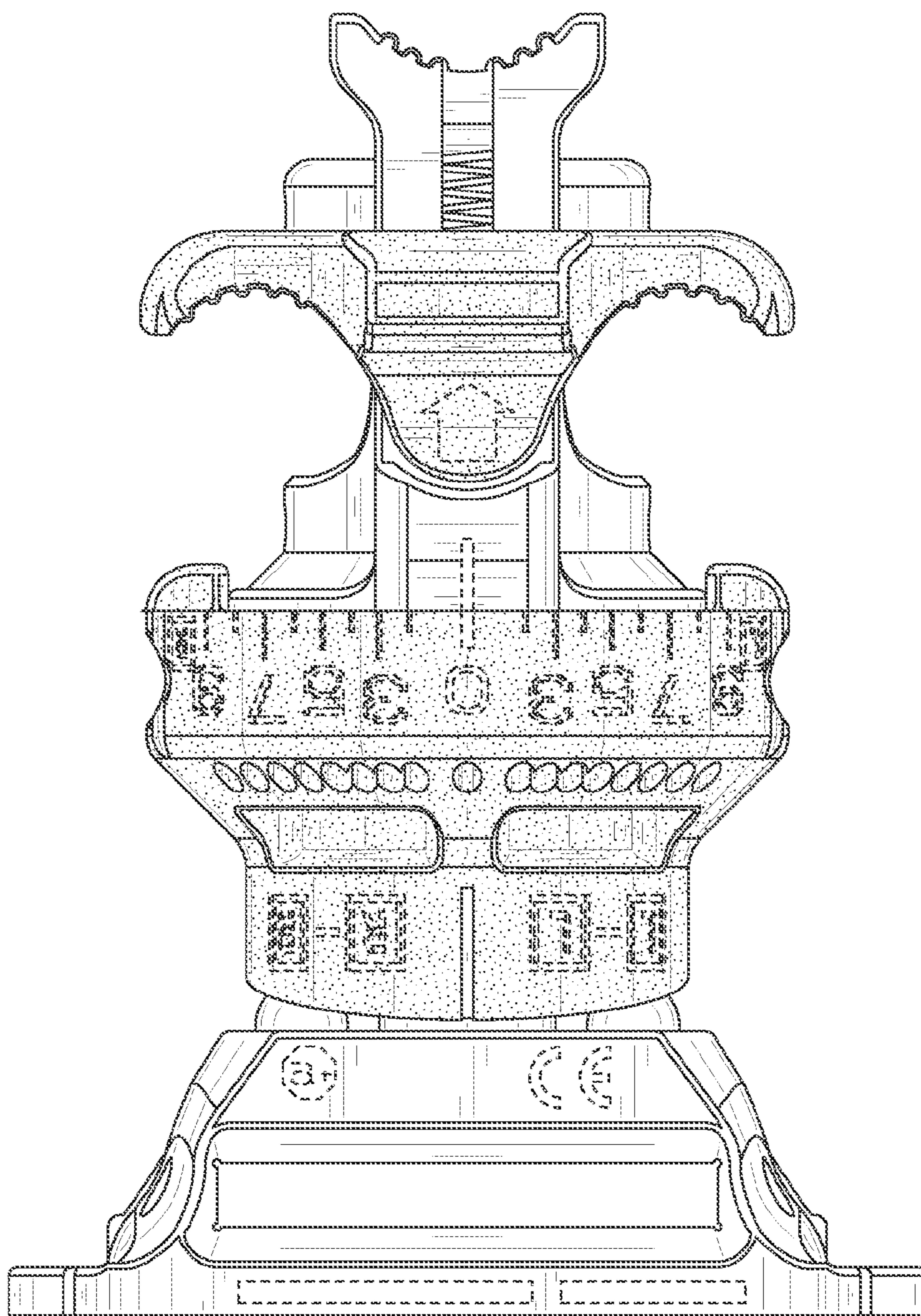


FIG. 6

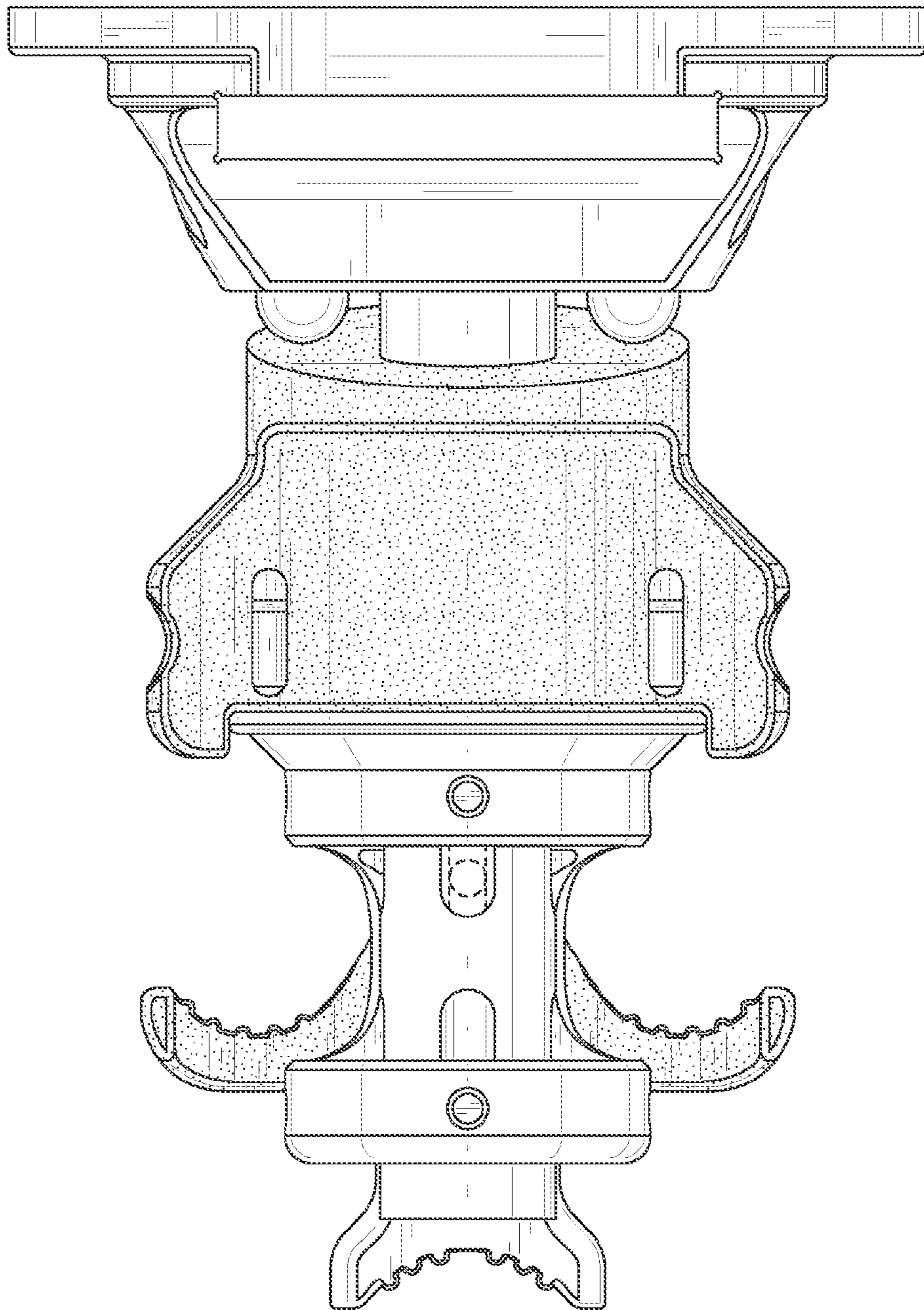


FIG. 7