



US00D651316S

(12) **United States Design Patent**  
**May et al.**

(10) **Patent No.:** **US D651,316 S**

(45) **Date of Patent:** **\*\* Dec. 27, 2011**

(54) **FEMORAL CUT GUIDE**

(75) Inventors: **Justin J. May**, Leesburg, IN (US);  
**Shanon N. Roberts**, Columbia City, IN  
(US); **Joshin Sahadevan**, Warsaw, IN  
(US); **Steve Redding**, Huntington, IN  
(US); **Aaron M. Bailey**, Warsaw, IN  
(US)

(73) Assignee: **Zimmer, Inc.**, Warsaw, IN (US)

(\*\*) Term: **14 Years**

(21) Appl. No.: **29/363,163**

(22) Filed: **Jun. 4, 2010**

(51) **LOC (9) Cl.** ..... **24-02**

(52) **U.S. Cl.** ..... **D24/140**

(58) **Field of Classification Search** ..... D24/133,  
D24/140, 143, 144, 145, 146, 147, 155, 171;  
606/1, 53, 86 R, 87, 88, 89, 99, 105, 205,  
606/206, 211, 916, 237

See application file for complete search history.

(56) **References Cited**

U.S. PATENT DOCUMENTS

D236,166	S	*	7/1975	Fishbein	.....	D24/146
4,787,377	A	*	11/1988	Laboureau	.....	606/84
5,709,689	A	*	1/1998	Ferrante et al.	.....	606/86 R
D454,767	S	*	3/2002	Edwards	.....	D8/83
D503,080	S	*	3/2005	Chen	.....	D8/82
6,916,323	B2	*	7/2005	Kitchens	.....	606/86 R
6,916,340	B2	*	7/2005	Metzger et al.	.....	623/20.15
D508,192	S	*	8/2005	Wang	.....	D8/82
D519,821	S	*	5/2006	Tsai	.....	D8/107
D538,129	S	*	3/2007	Jansson et al.	.....	D8/82
D600,524	S	*	9/2009	Lai	.....	D8/83
D605,288	S	*	12/2009	Brostoff et al.	.....	D24/133

7,704,257	B2	*	4/2010	Murner	.....	606/105
2004/0162619	A1	*	8/2004	Blaylock et al.	.....	623/20.16
2006/0004374	A1	*	1/2006	Griner et al.	.....	606/88
2006/0058885	A1	*	3/2006	Wozencroft	.....	623/22.12
2006/0241634	A1	*	10/2006	Tuttle et al.	.....	606/86
2007/0213738	A1	*	9/2007	Martin et al.	.....	606/87
2008/0234664	A1	*	9/2008	May et al.	.....	606/1

\* cited by examiner

*Primary Examiner* — Bridget L Eland

(74) *Attorney, Agent, or Firm* — Baker & Daniels LLP

(57) **CLAIM**

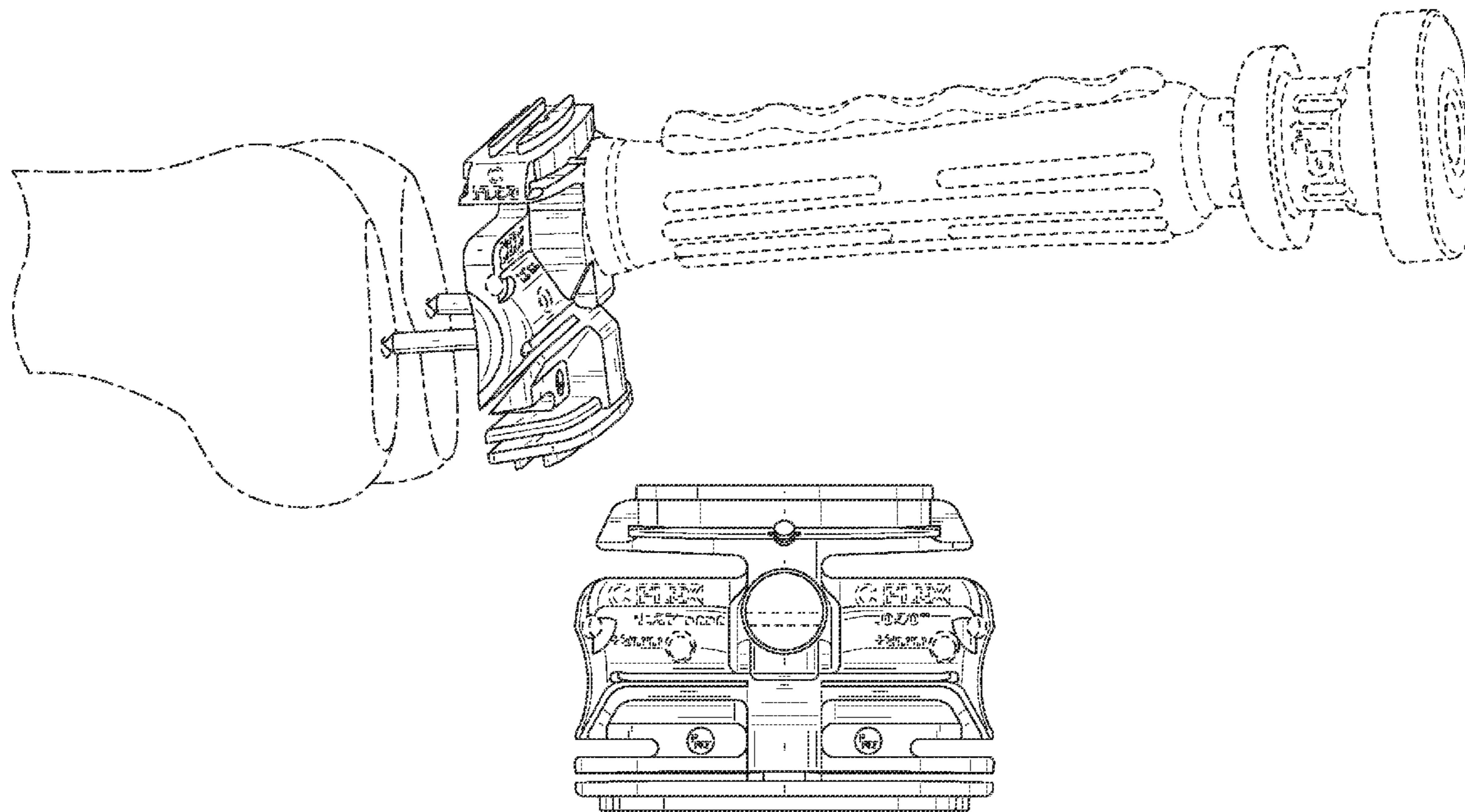
The ornamental design for a femoral cut guide, as shown and described.

**DESCRIPTION**

FIG. 1 is a perspective view of a femoral cut guide shown in an environment illustrating our new design;  
 FIG. 2 is a bottom plan view of the femoral cut guide shown removed from its environment in order to show aspects of the design that are not apparent in the perspective view;  
 FIG. 3 is a top plan view thereof;  
 FIG. 4 is a left side elevation view thereof;  
 FIG. 5 is a right side elevation view thereof;  
 FIG. 6 is a front end elevation view thereof; and,  
 FIG. 7 is a rear end elevation view thereof.

The evenly spaced broken lines shown that are immediately adjacent the shaded areas, and define unshaded regions, represent unclaimed boundaries while the remaining evenly spaced broken lines and the dot-dash broken lines are directed to environment and are for illustrative purposes only; the broken lines form no part of the claimed design.

**1 Claim, 4 Drawing Sheets**



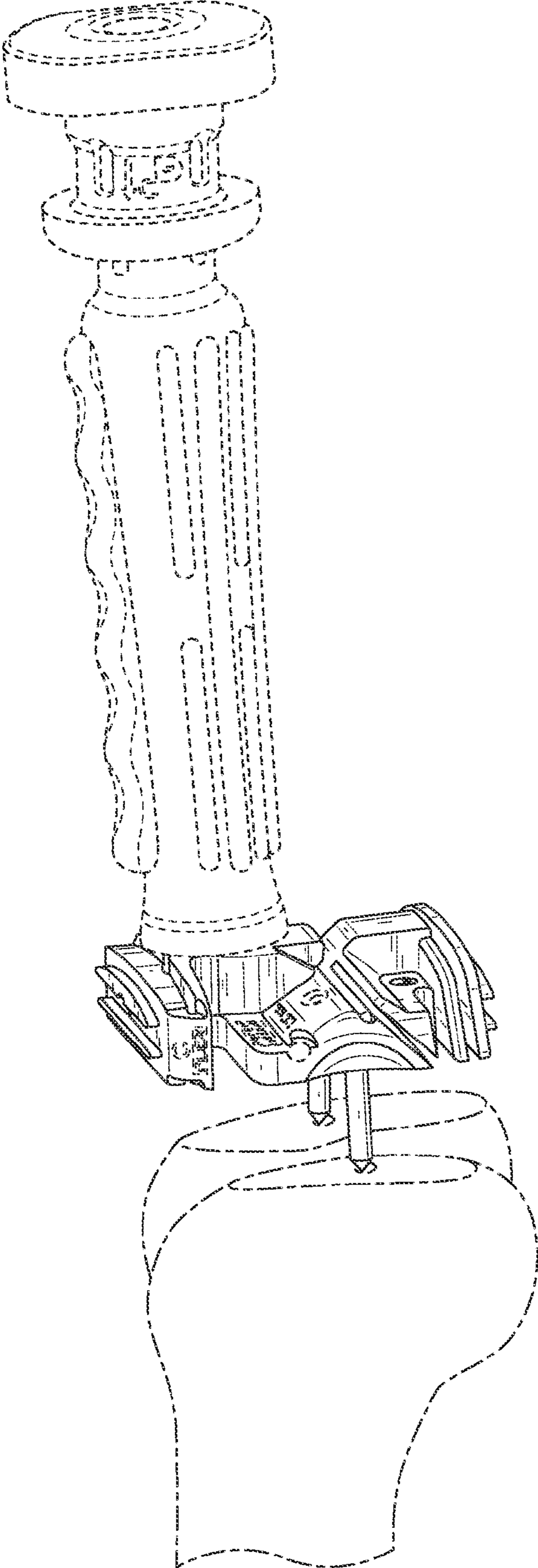


FIG. 1

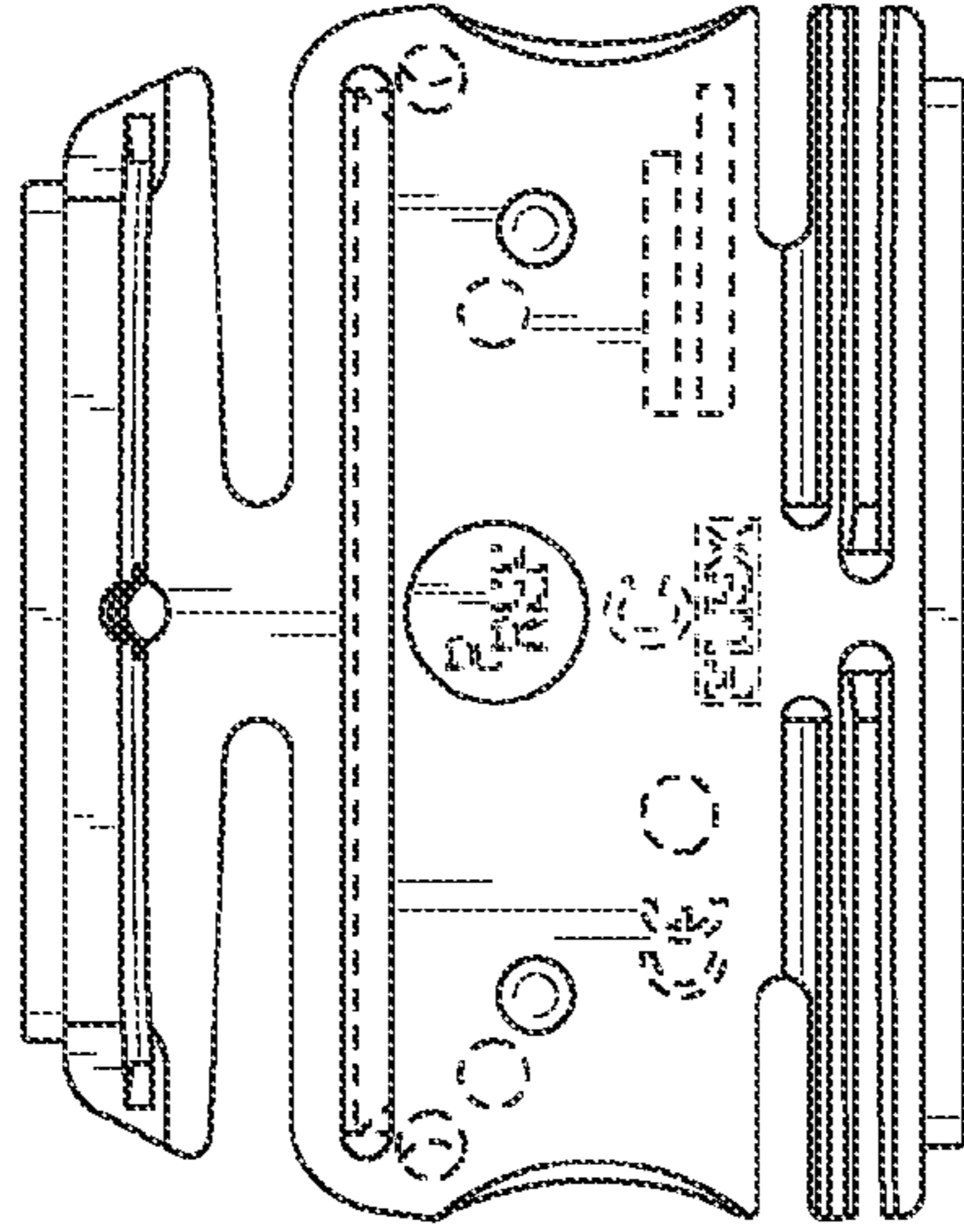


FIG. 2

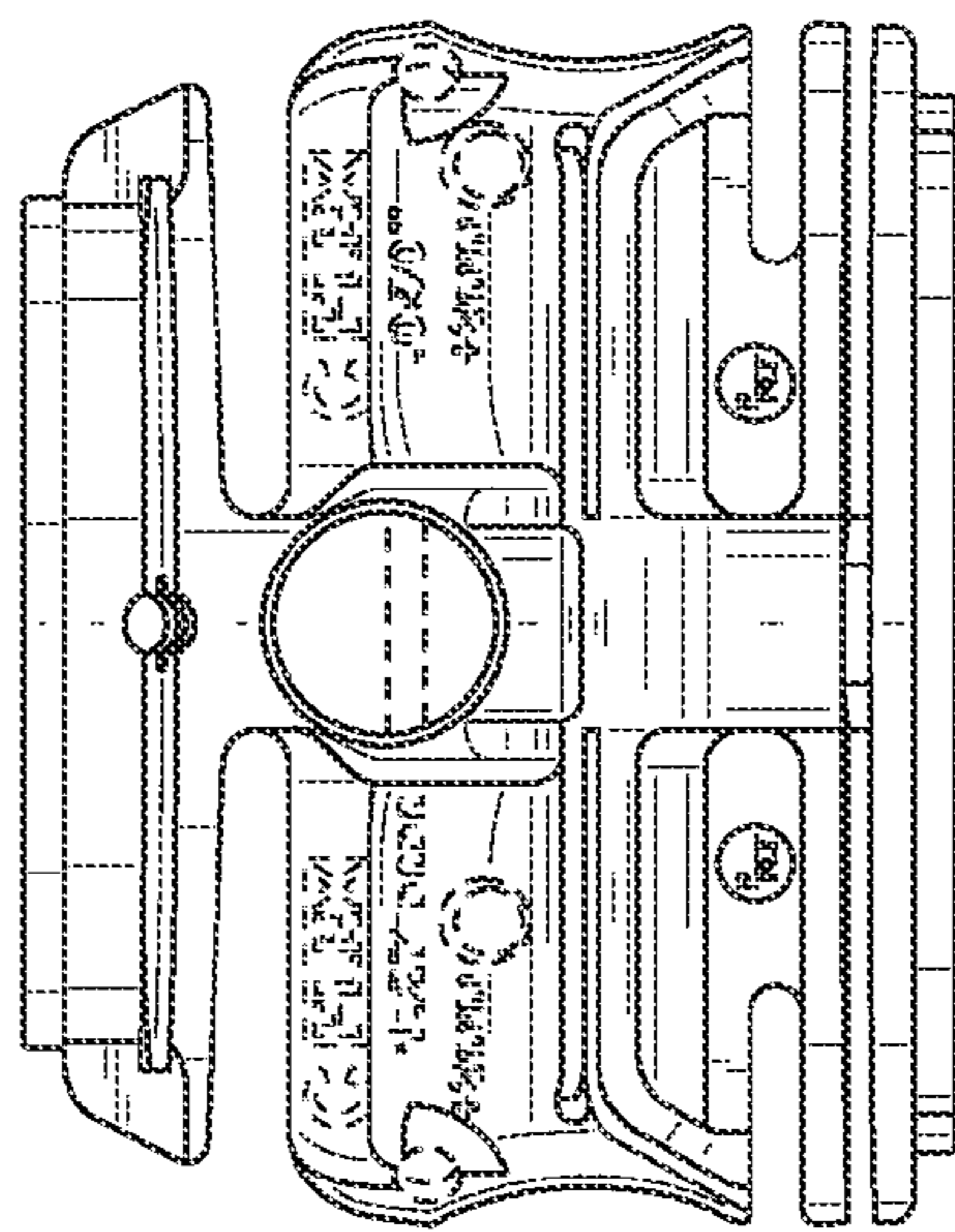


FIG. 3

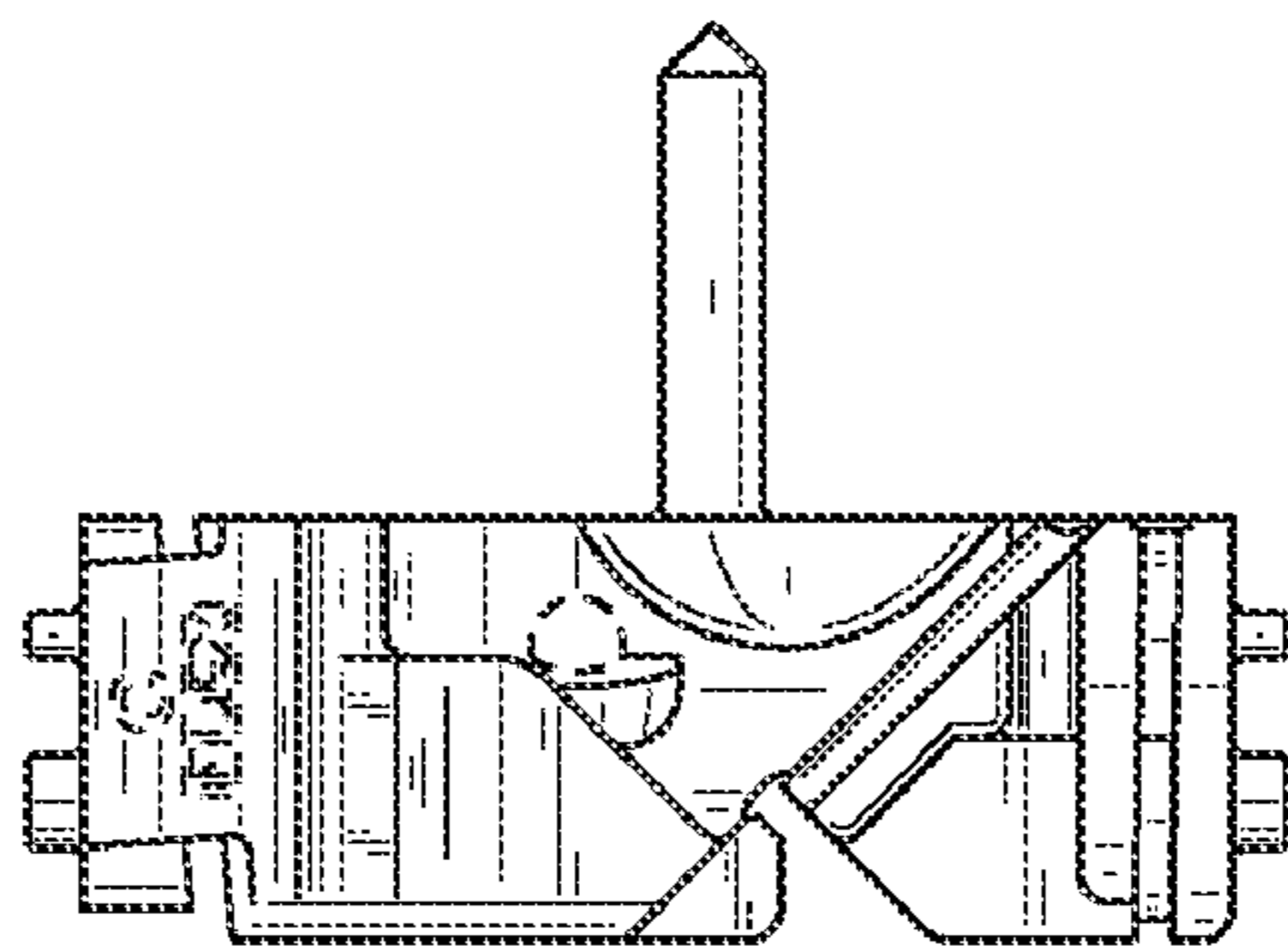


FIG. 5

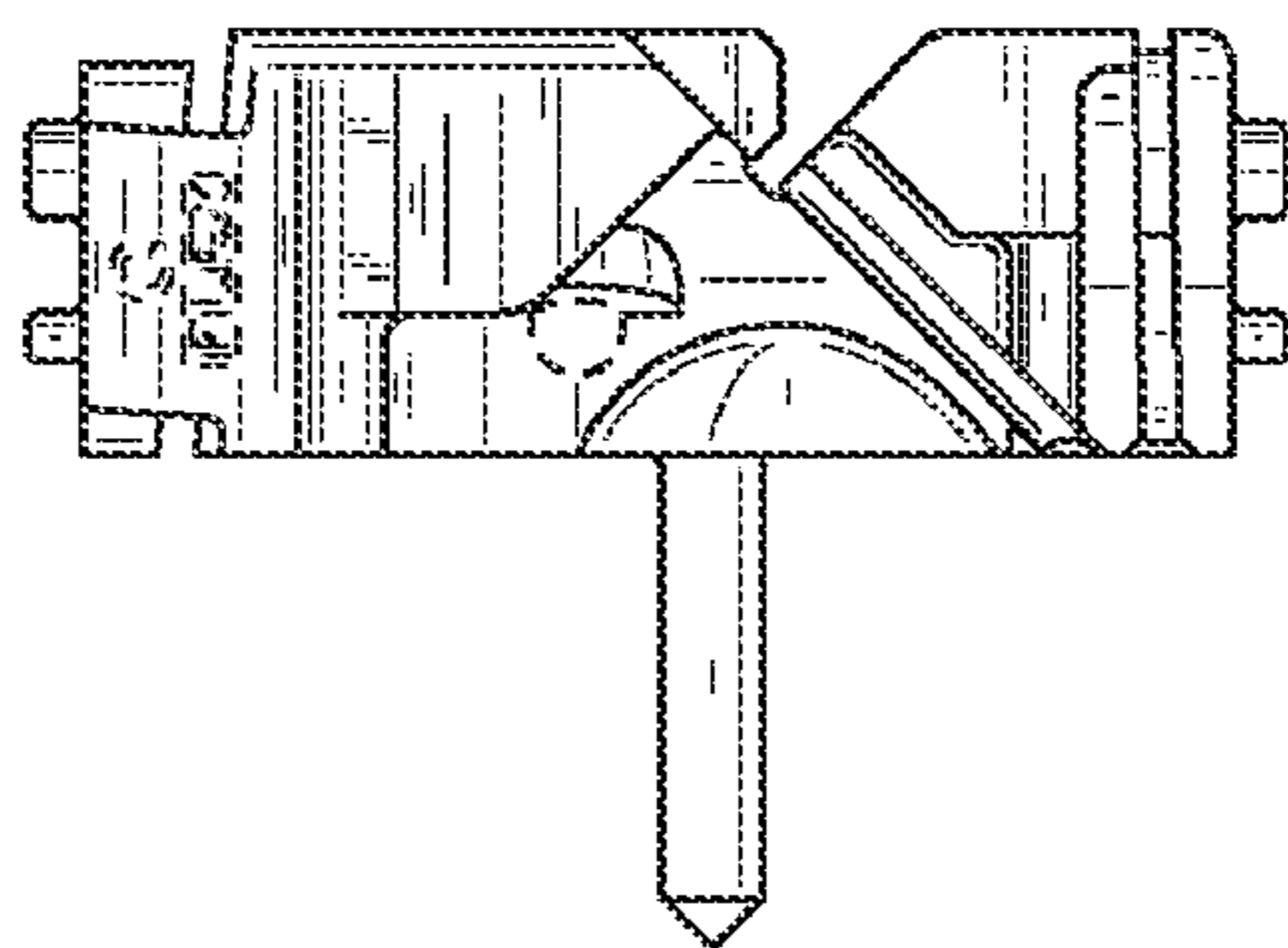


FIG. 4

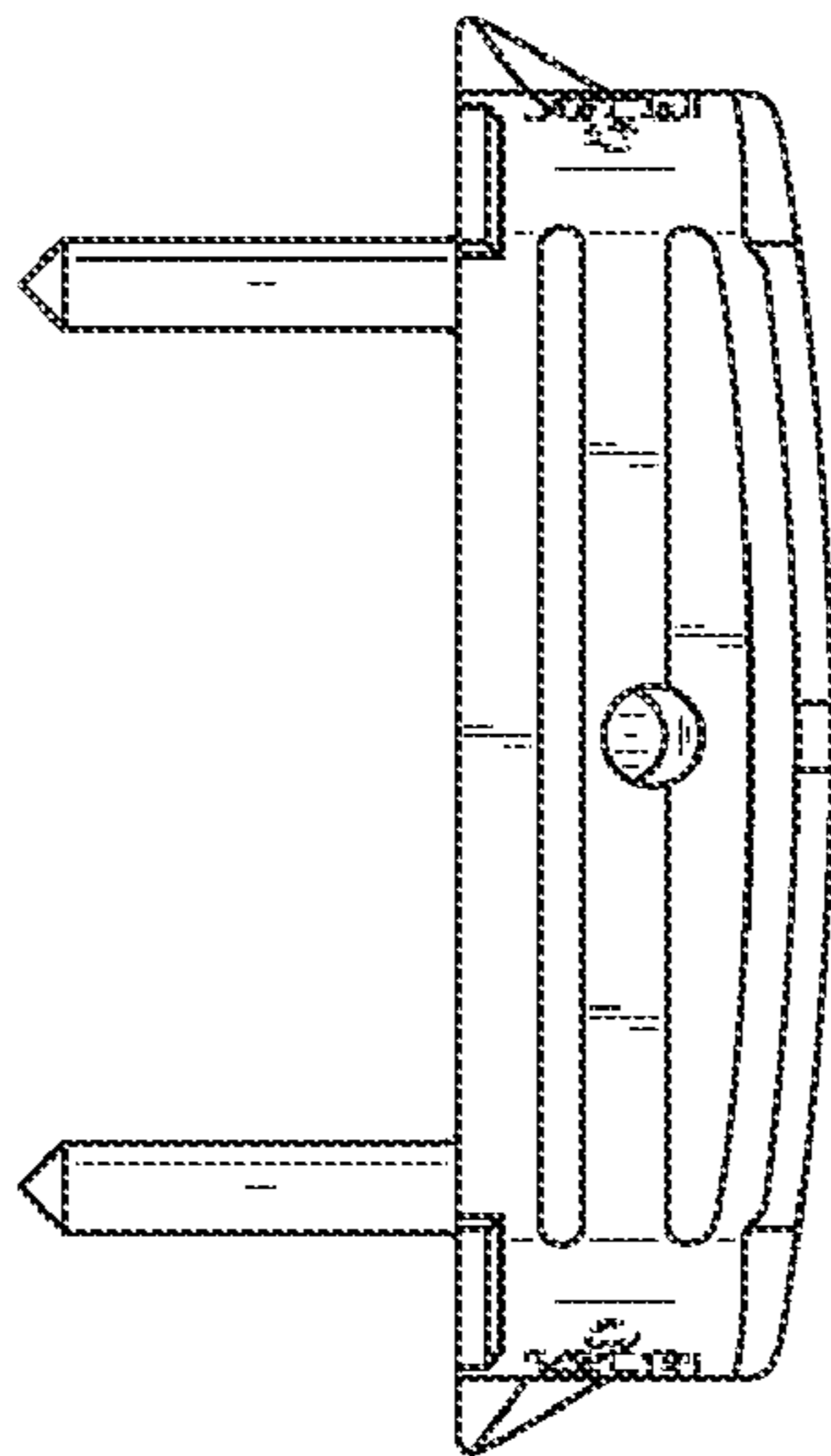


FIG. 6

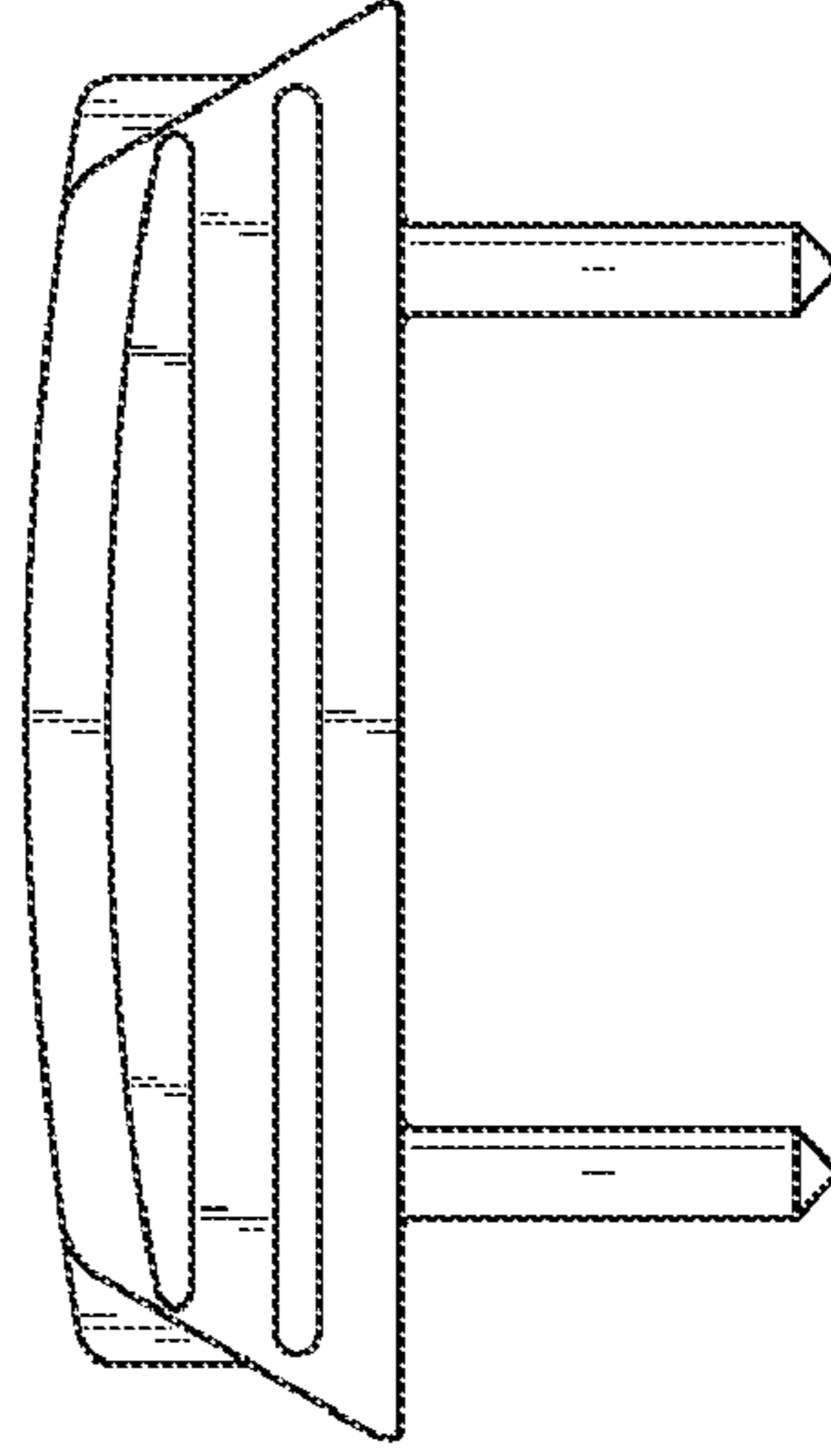


FIG. 7