



US00D651315S

(12) **United States Design Patent**  
**Bertoni et al.**

(10) **Patent No.:** **US D651,315 S**  
(45) **Date of Patent:** **\*\* Dec. 27, 2011**

(54) **FEMORAL PROVISIONAL PROSTHESIS WITH CUT GUIDE**

(75) Inventors: **Amber Bertoni**, Warsaw, IN (US);  
**Douglas G. Branscome**, Fort Wayne, IN (US);  
**Timothy P. Dolan**, Goshen, IN (US)

(73) Assignee: **Zimmer, Inc.**, Warsaw, IN (US)

(\*\*) Term: **14 Years**

(21) Appl. No.: **29/362,754**

(22) Filed: **May 28, 2010**

(51) **LOC (9) Cl.** ..... **24-02**

(52) **U.S. Cl.** ..... **D24/140; D24/155**

(58) **Field of Classification Search** ..... D24/133,  
D24/140, 143, 144, 145, 146, 147, 155, 171;  
606/1, 53, 86 R, 87, 88, 89, 99, 105, 205,  
606/206, 211, 916, 237

See application file for complete search history.

(56) **References Cited**

U.S. PATENT DOCUMENTS

D235,549	S *	6/1975	Funderburk	.....	D24/135
D291,003	S *	7/1987	Huckstep	.....	D24/155
4,718,413	A *	1/1988	Johnson	.....	606/82
4,721,104	A *	1/1988	Kaufman et al.	.....	606/88
5,258,032	A *	11/1993	Bertin	.....	623/20.35
D357,068	S *	4/1995	Koros et al.	.....	D24/147
5,454,816	A *	10/1995	Ashby	.....	606/88
D374,078	S *	9/1996	Johnson et al.	.....	D24/155
5,702,460	A *	12/1997	Carls et al.	.....	606/79
6,514,259	B2 *	2/2003	Picard et al.	.....	606/88
D473,307	S *	4/2003	Cooke	.....	D24/155
D486,053	S *	2/2004	Jimenez	.....	D8/97
D636,490	S *	4/2011	Koros et al.	.....	D24/147
2002/0029045	A1 *	3/2002	Bonutti	.....	606/86
2003/0040752	A1 *	2/2003	Kitchens	.....	606/86
2004/0039450	A1 *	2/2004	Griner et al.	.....	623/20.31

2004/0102785	A1 *	5/2004	Hodorek et al.	.....	606/87
2004/0172137	A1 *	9/2004	Blaylock et al.	.....	623/20.16
2005/0143745	A1 *	6/2005	Hodorek et al.	.....	606/87
2006/0173547	A1 *	8/2006	Ensign	.....	623/20.15
2007/0260323	A1 *	11/2007	Earl et al.	.....	623/20.35
2008/0306484	A1 *	12/2008	Coon et al.	.....	606/88
2009/0125115	A1 *	5/2009	Popoola et al.	.....	623/20.14
2010/0016987	A1 *	1/2010	Scrafton et al.	.....	623/23.56
2010/0076567	A1 *	3/2010	Justin et al.	.....	623/20.35
2011/0071533	A1 *	3/2011	Metzger et al.	.....	606/88

\* cited by examiner

Primary Examiner — Bridget L Eland

(74) Attorney, Agent, or Firm — Baker & Daniels LLP

(57) **CLAIM**

The ornamental design for a femoral provisional prosthesis with cut guide, as shown and described.

**DESCRIPTION**

FIG. 1 is a perspective view of a femoral provisional prosthesis with cut guide shown in an environment illustrating our new design;

FIG. 2 is a front end elevation view of the femoral provisional prosthesis with cut guide shown removed from its environment in order to show aspects of the design that are not apparent in the perspective view;

FIG. 3 is a rear end elevation view thereof;

FIG. 4 is a left side elevation view thereof;

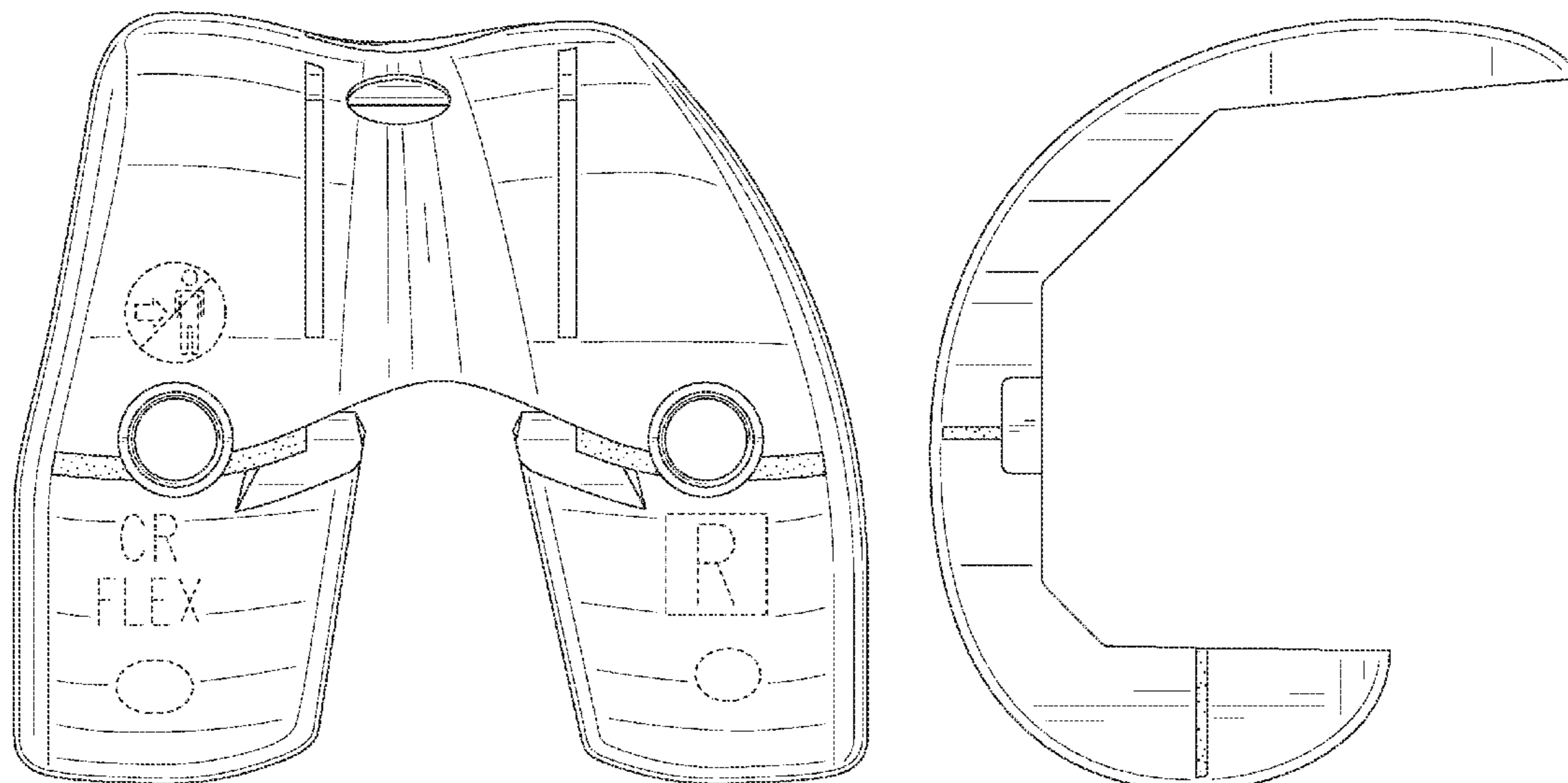
FIG. 5 is a right side elevation view thereof;

FIG. 6 is a top plan view thereof; and,

FIG. 7 is a bottom plan view thereof.

The evenly spaced broken lines shown that are immediately adjacent the shaded areas, and define unshaded regions, represent unclaimed boundaries while the remaining evenly spaced broken lines and the dot-dash broken lines are directed to environment and are for illustrative purposes only; the broken lines form no part of the claimed design.

**1 Claim, 7 Drawing Sheets**



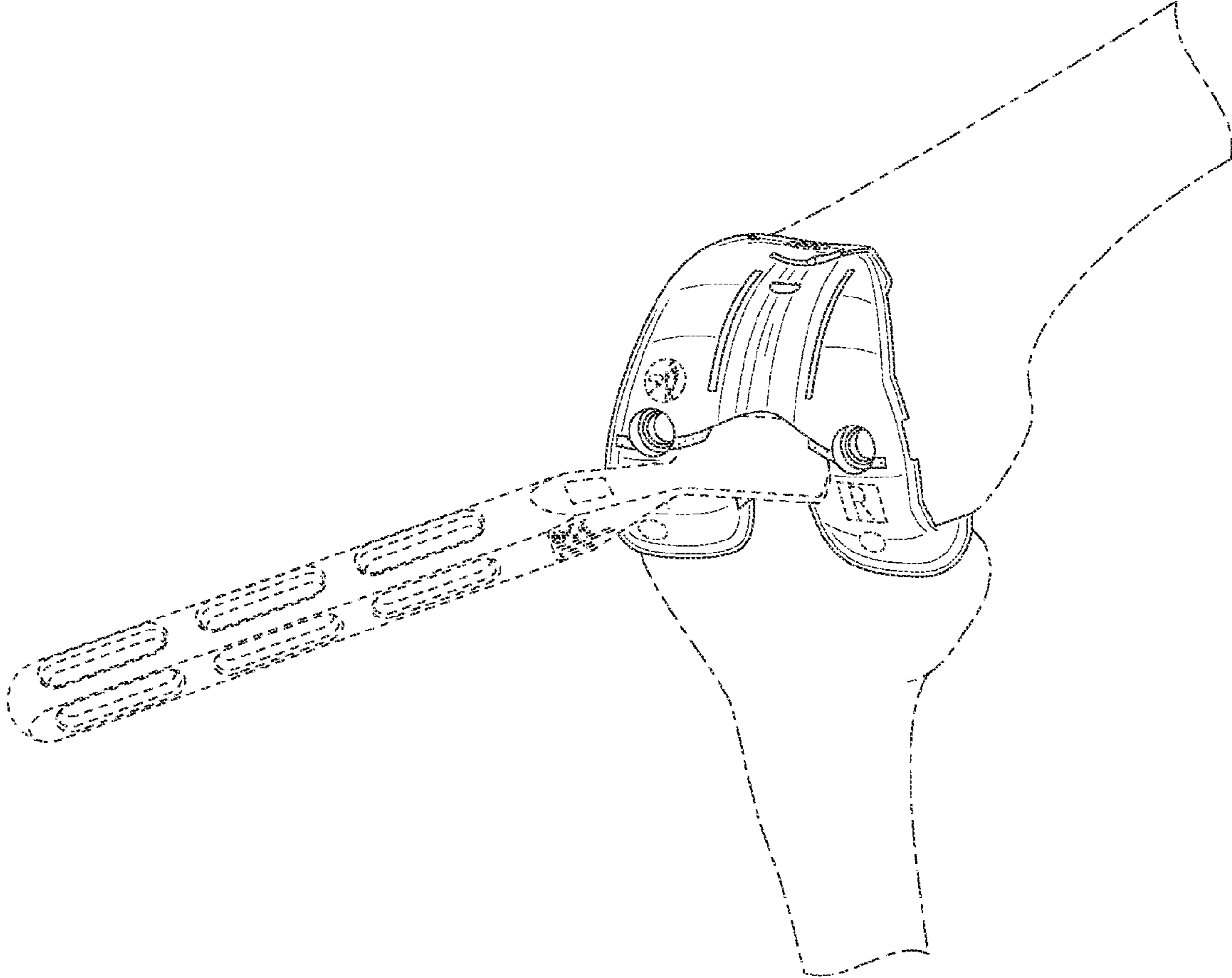


FIG. 1

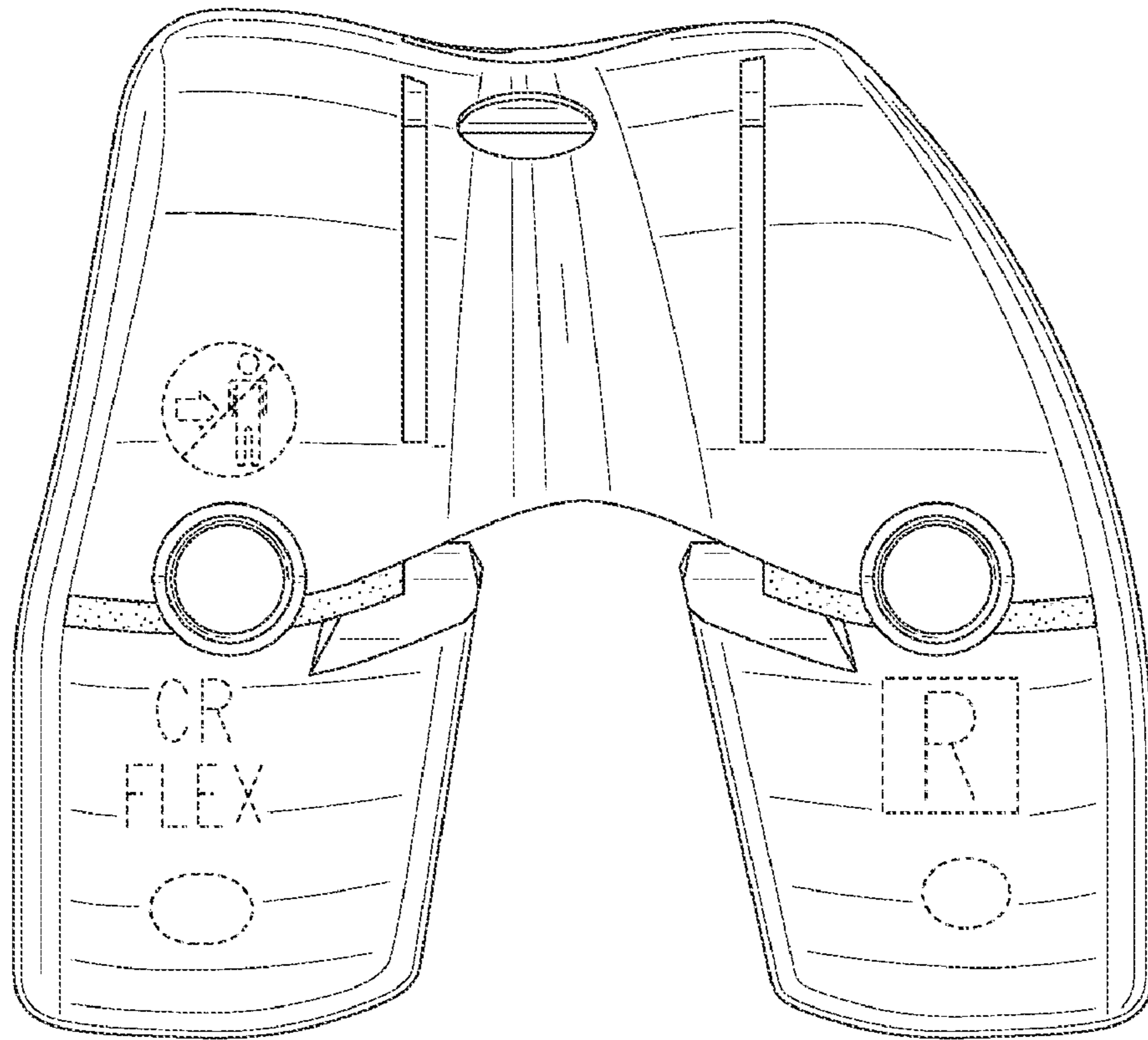


FIG. 2

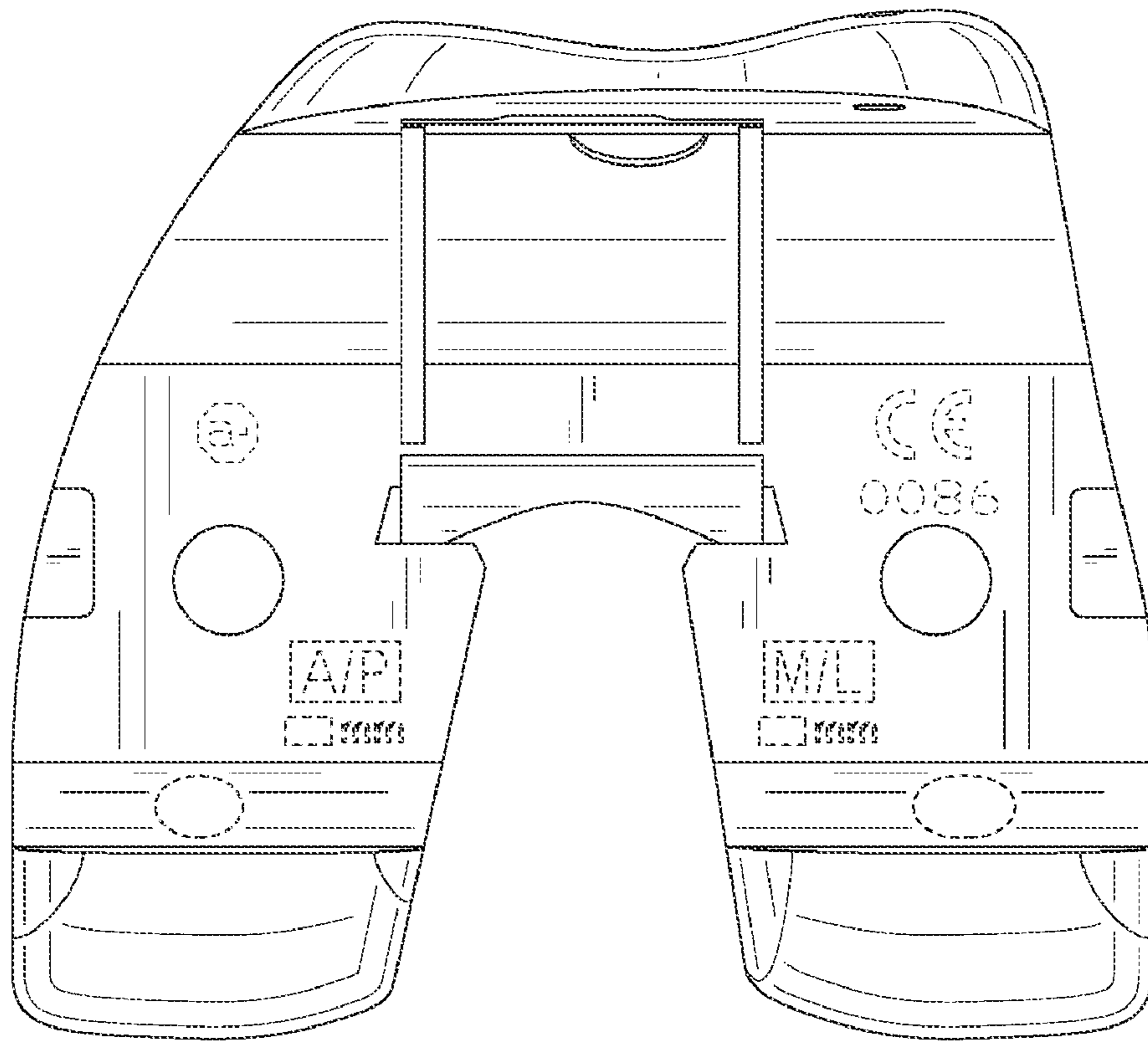


FIG. 3

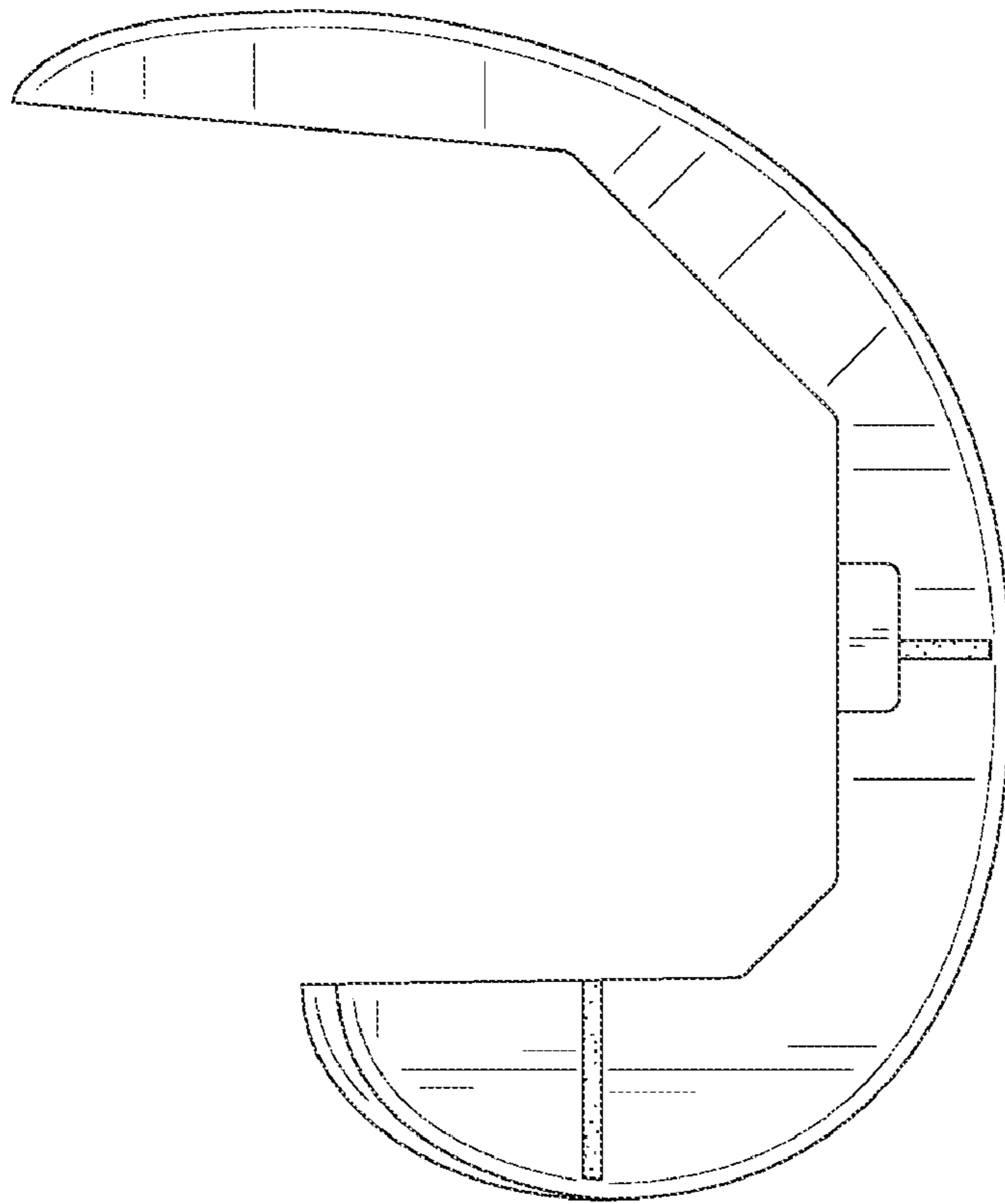


FIG. 4

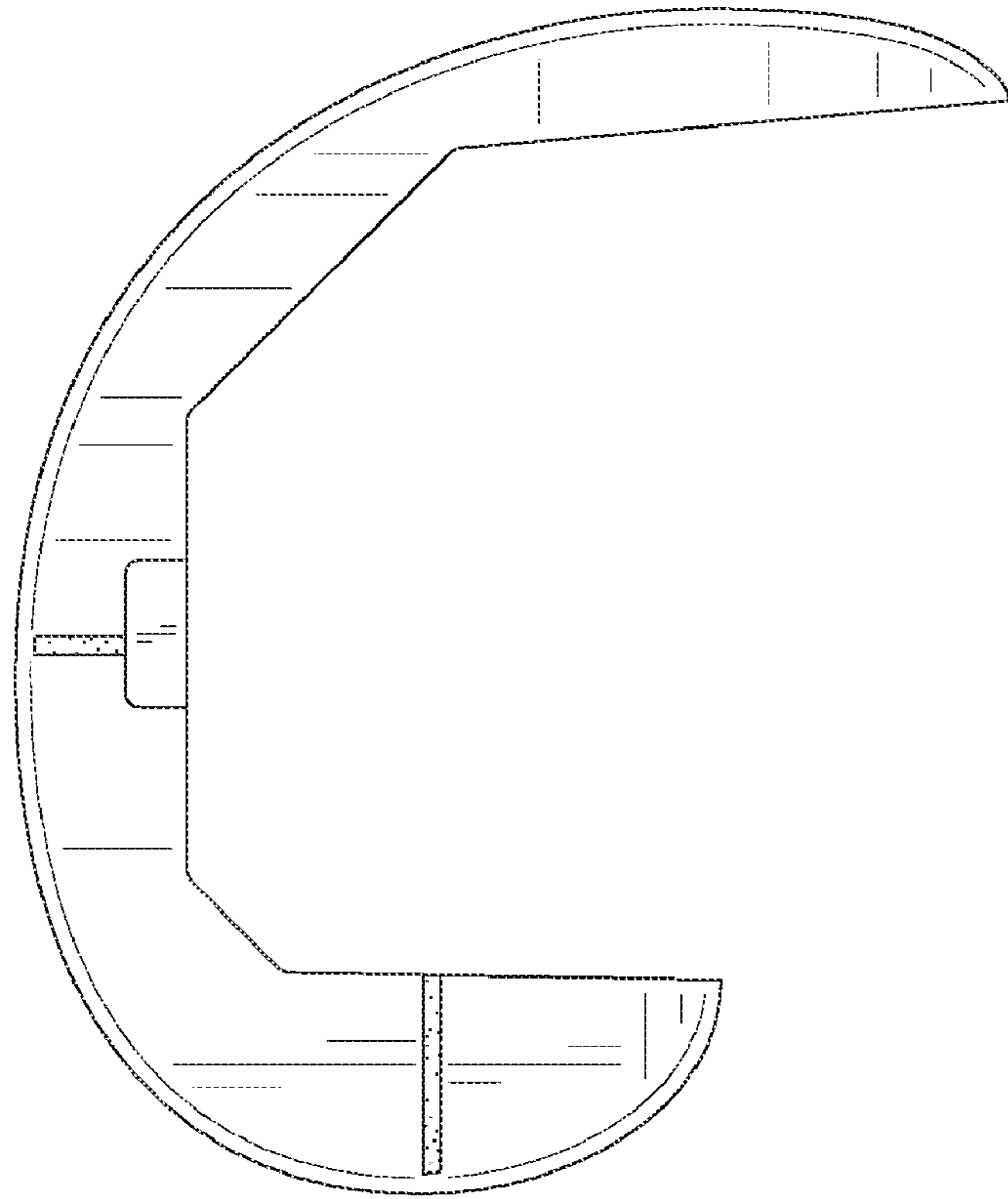


FIG. 5

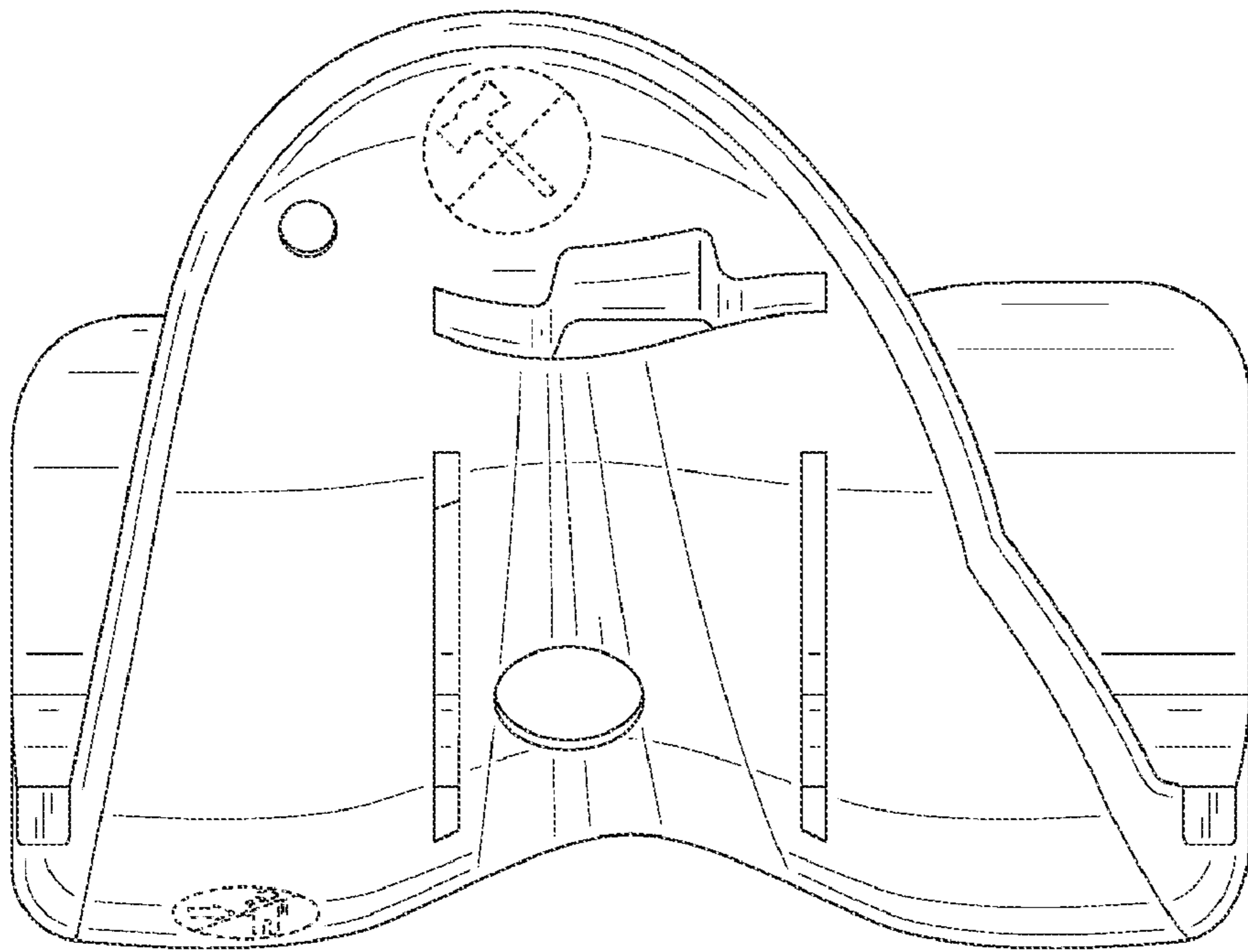


FIG. 6

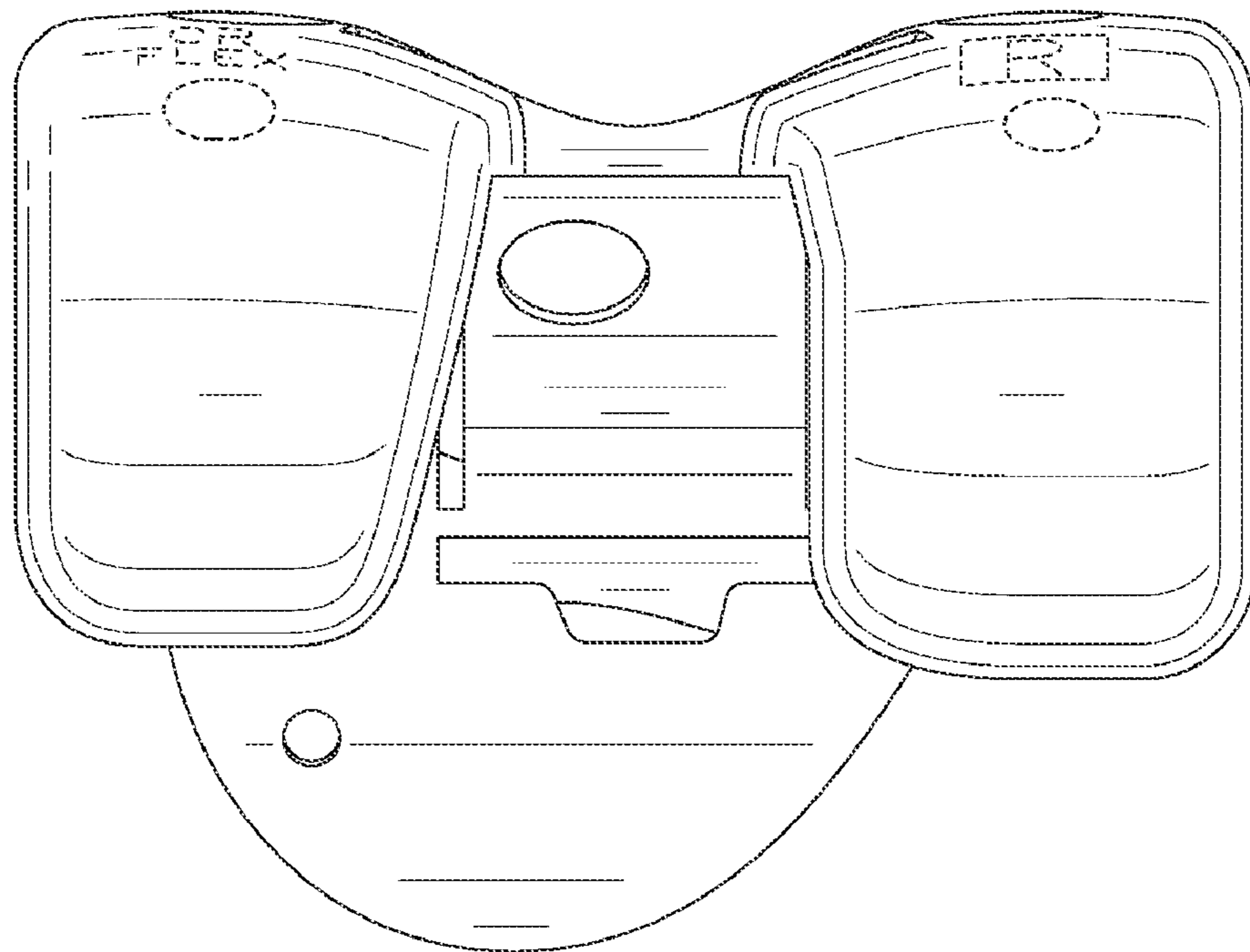


FIG. 7