



US00D651314S

(12) **United States Design Patent**
Habegger et al.

(10) **Patent No.:** **US D651,314 S**

(45) **Date of Patent:** **** Dec. 27, 2011**

(54) **EXTRAMEDULLARY MODULAR POST**

(75) Inventors: **Abraham P. Habegger**, Warsaw, IN (US); **Jeffery A. VanDiepenbos**, Syracuse, IN (US); **Lindsay M. Hack**, Winona Lake, IN (US)

(73) Assignee: **Zimmer, Inc.**, Warsaw, IN (US)

(**) Term: **14 Years**

(21) Appl. No.: **29/362,752**

(22) Filed: **May 28, 2010**

(51) **LOC (9) Cl.** **24-02**

(52) **U.S. Cl.** **D24/140**

(58) **Field of Classification Search** D24/133, D24/140, 143, 144, 145, 146, 147, 155, 171; 606/1, 53, 86 R, 87, 88, 89, 99, 105, 205, 606/206, 211, 916, 237

See application file for complete search history.

(56) **References Cited**

U.S. PATENT DOCUMENTS

D230,098	S *	1/1974	Rylee	D24/140
5,607,431	A *	3/1997	Dudasik et al.	606/80
5,700,268	A *	12/1997	Bertin	606/102
6,090,114	A *	7/2000	Matsuno et al.	606/88
6,645,215	B1 *	11/2003	McGovern et al.	606/102
7,101,381	B2 *	9/2006	Ford et al.	606/151
D597,204	S *	7/2009	Oberlaender et al.	D24/133
D630,746	S *	1/2011	Richter et al.	D24/140
7,927,336	B2 *	4/2011	Rasmussen	606/88
2003/0100907	A1 *	5/2003	Rosa et al.	606/86

2005/0149039	A1 *	7/2005	Haines et al.	606/87
2008/0306484	A1 *	12/2008	Coon et al.	606/88
2009/0306675	A1 *	12/2009	Wong et al.	606/96

* cited by examiner

Primary Examiner — Bridget L Eland

(74) *Attorney, Agent, or Firm* — Baker & Daniels LLP

(57) **CLAIM**

The ornamental design for an extramedullary modular post, as shown and described.

DESCRIPTION

FIG. 1 is a perspective view of an extramedullary modular post shown in an environment illustrating our new design; FIG. 2 is a right side elevation view of the extramedullary modular post shown removed from its environment in order to show aspects of the design that are not apparent in the perspective view;

FIG. 3 is a left side elevation view thereof;

FIG. 4 is a rear end elevation view thereof;

FIG. 5 is a front end elevation view thereof;

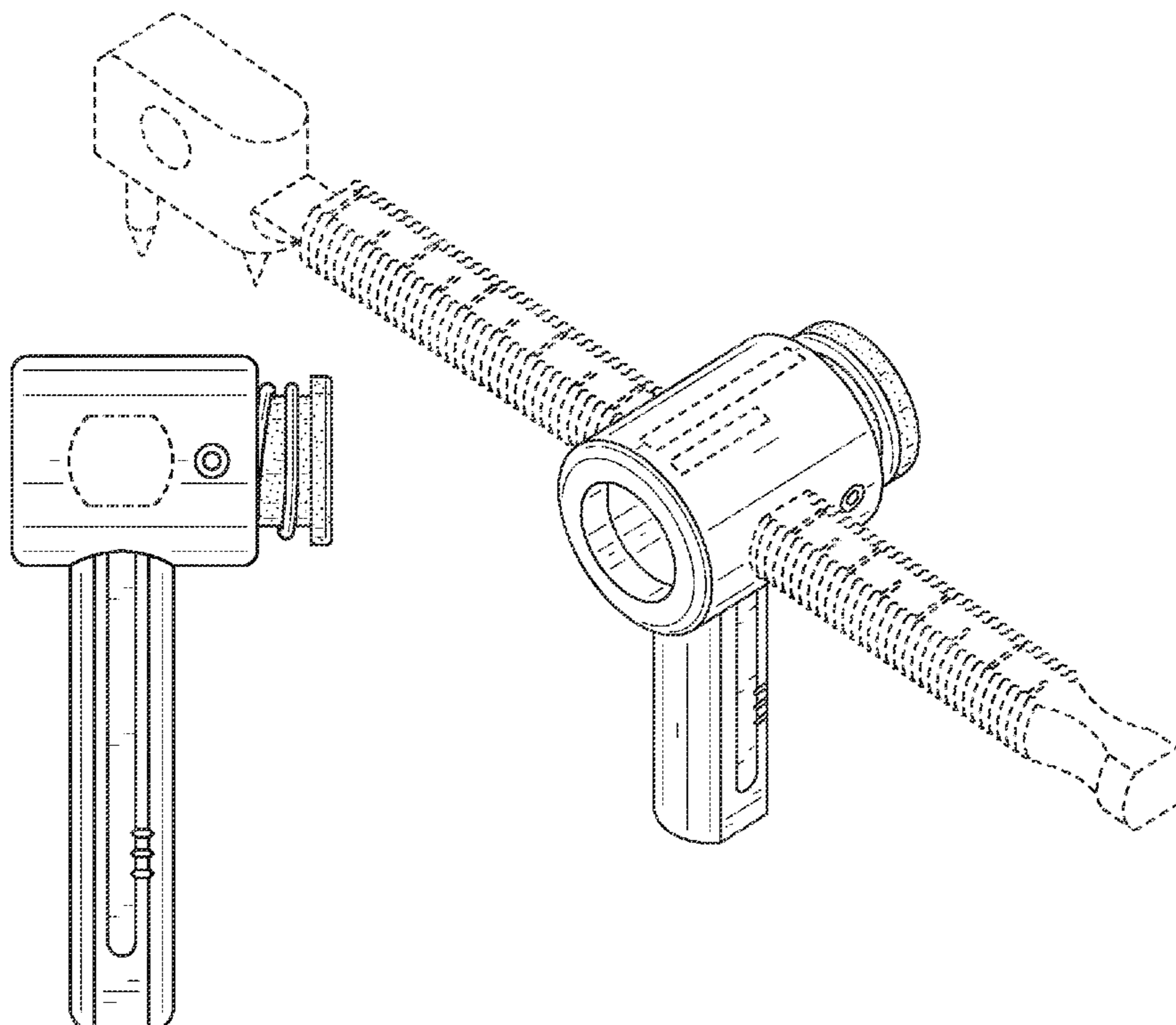
FIG. 6 is a top plan view thereof;

FIG. 7 is a bottom plan view thereof; and,

FIG. 8 is perspective view thereof.

The evenly spaced broken lines shown that are immediately adjacent the shaded areas, and define unshaded regions, represent unclaimed boundaries while the remaining evenly spaced broken lines and the dot-dash broken lines are directed to environment and are for illustrative purposes only; the broken lines form no part of the claimed design.

1 Claim, 6 Drawing Sheets



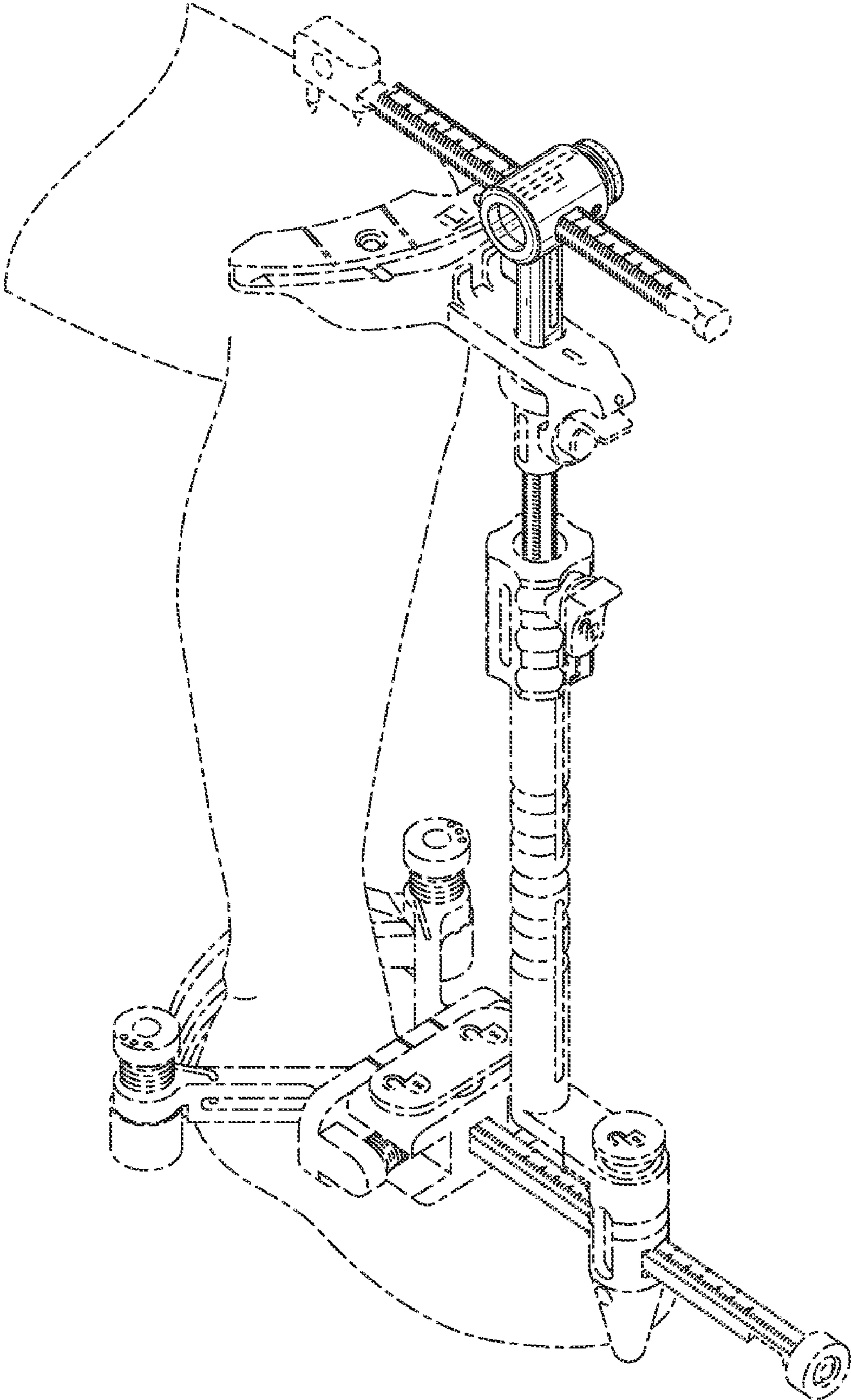


FIG. 1

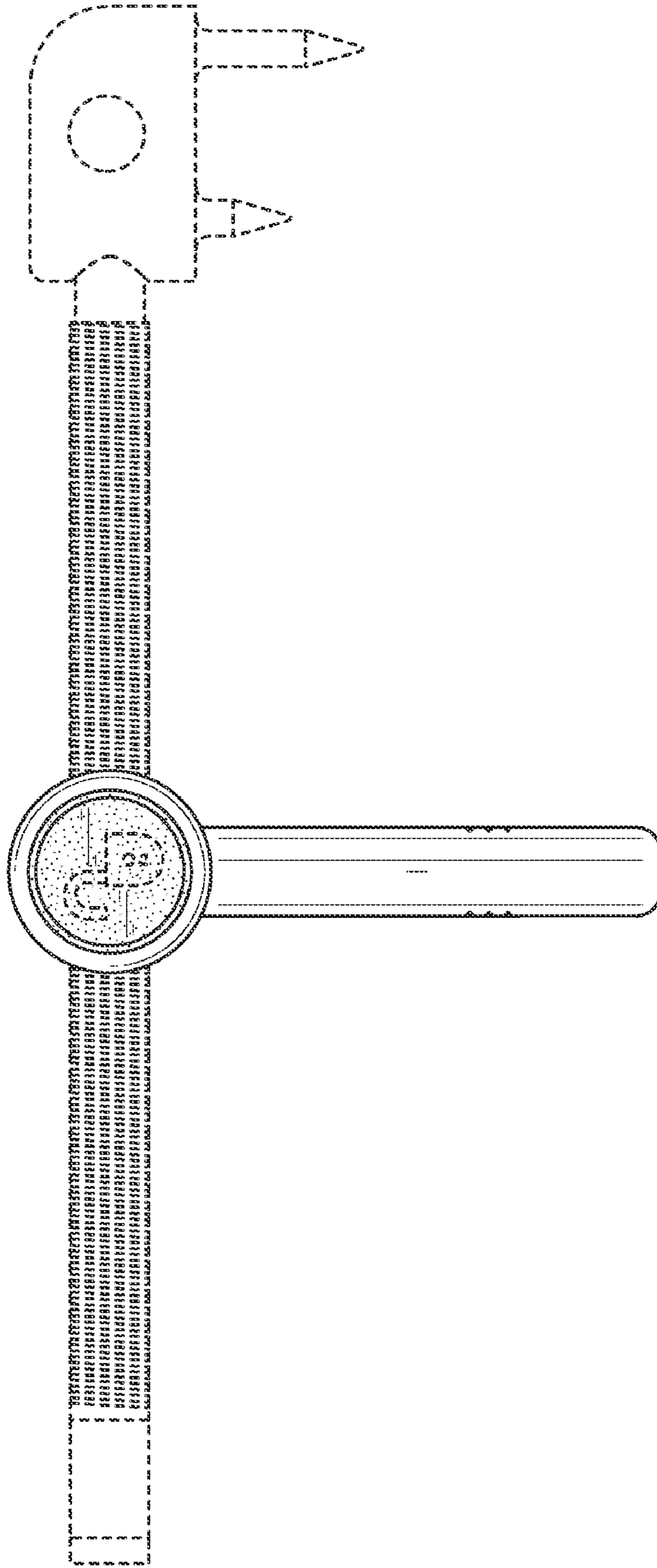


FIG. 2

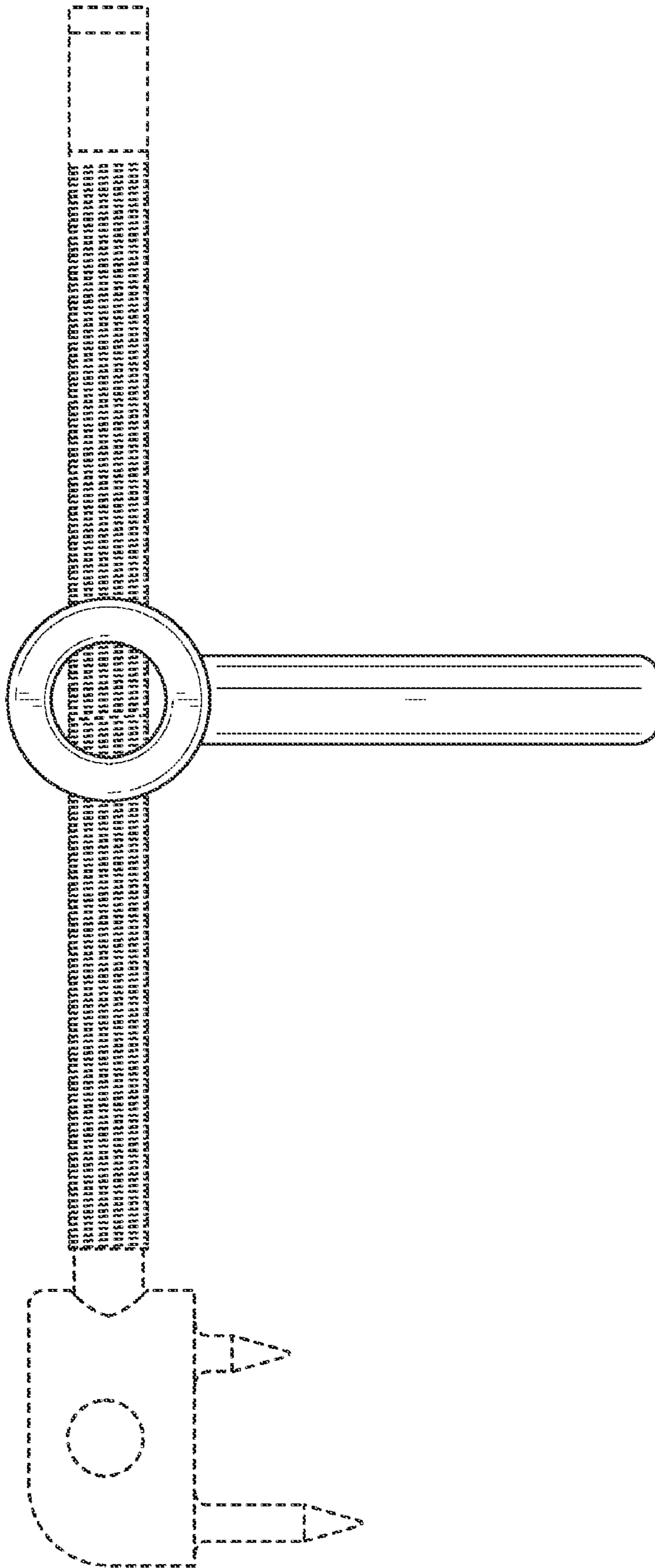


FIG. 3

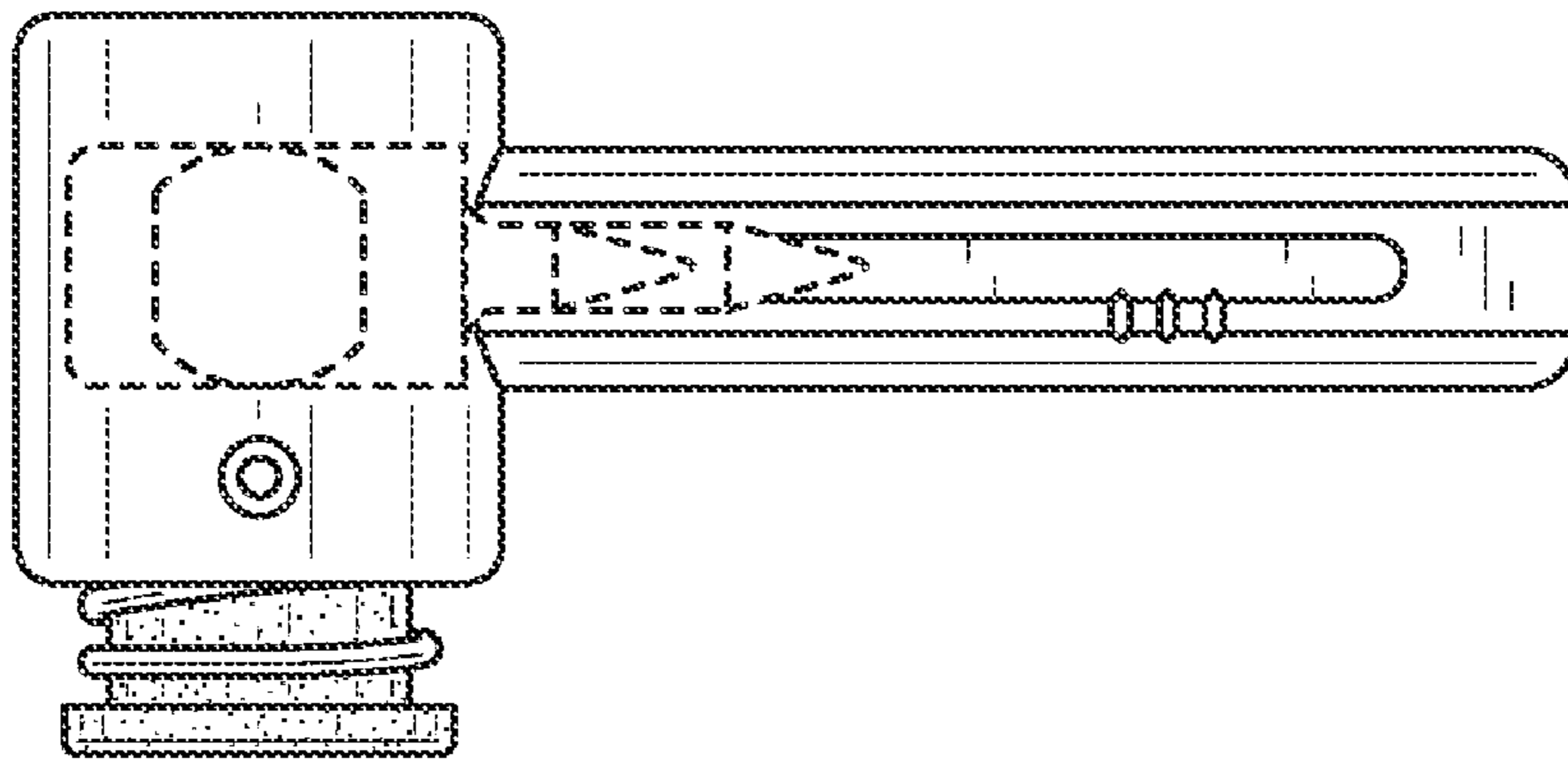


FIG. 5

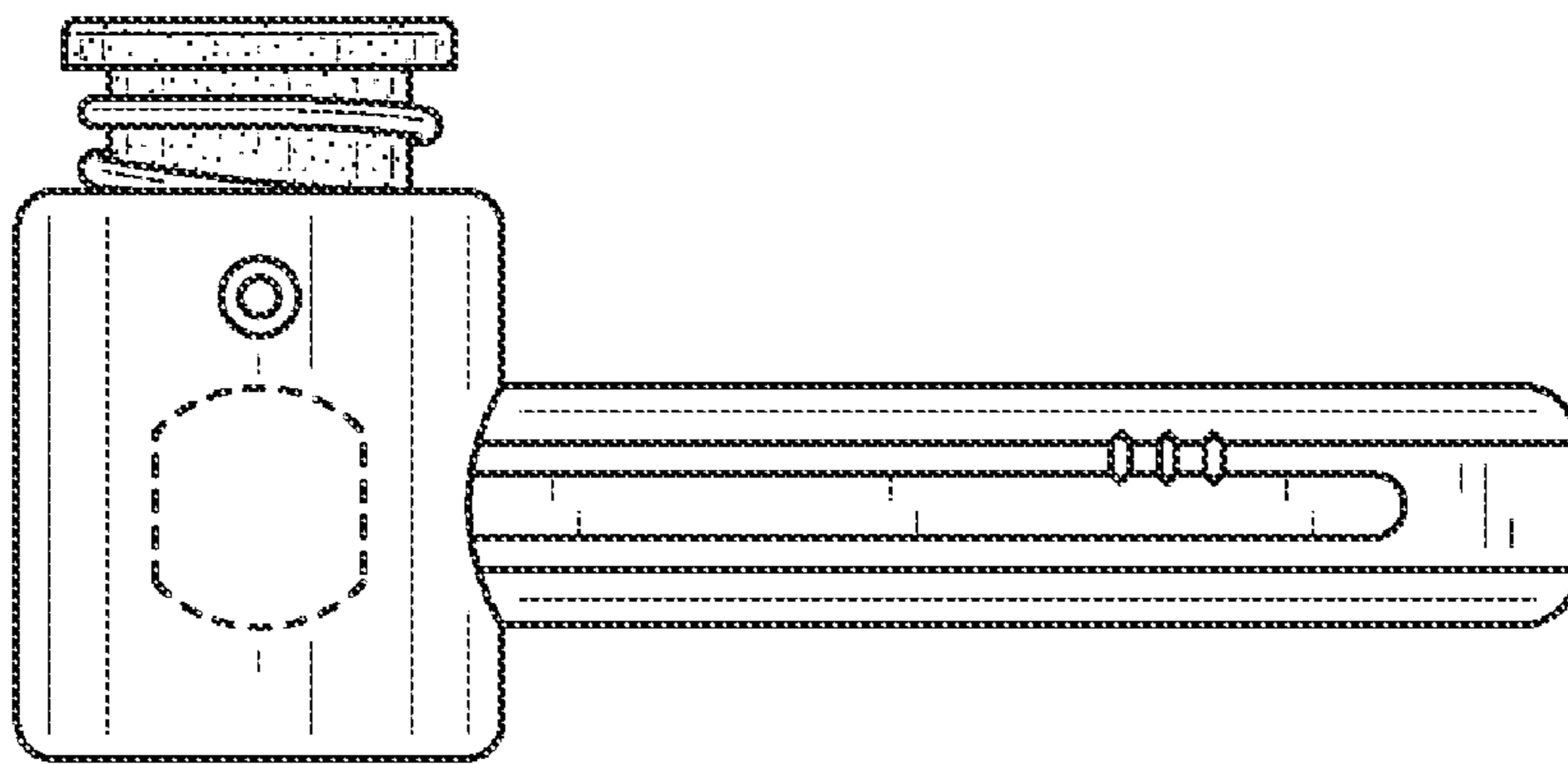


FIG. 4

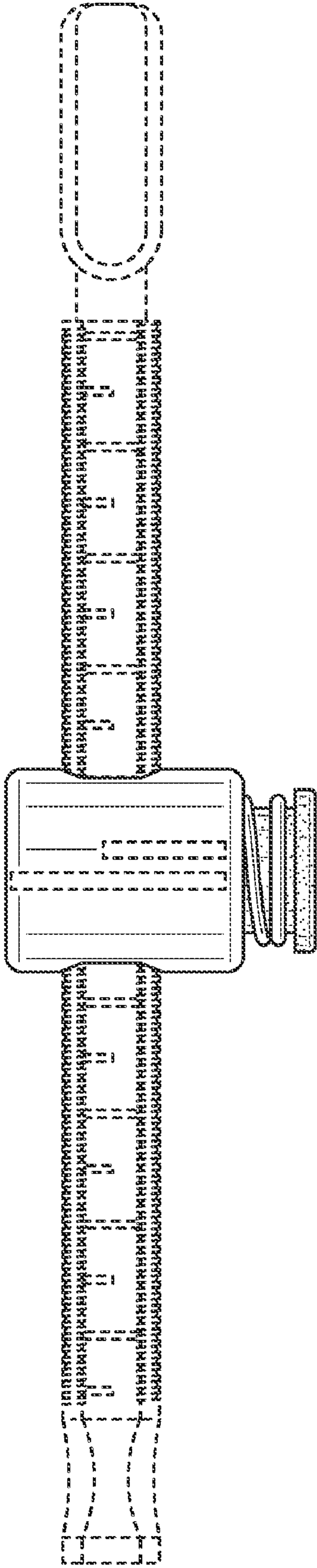


FIG. 6

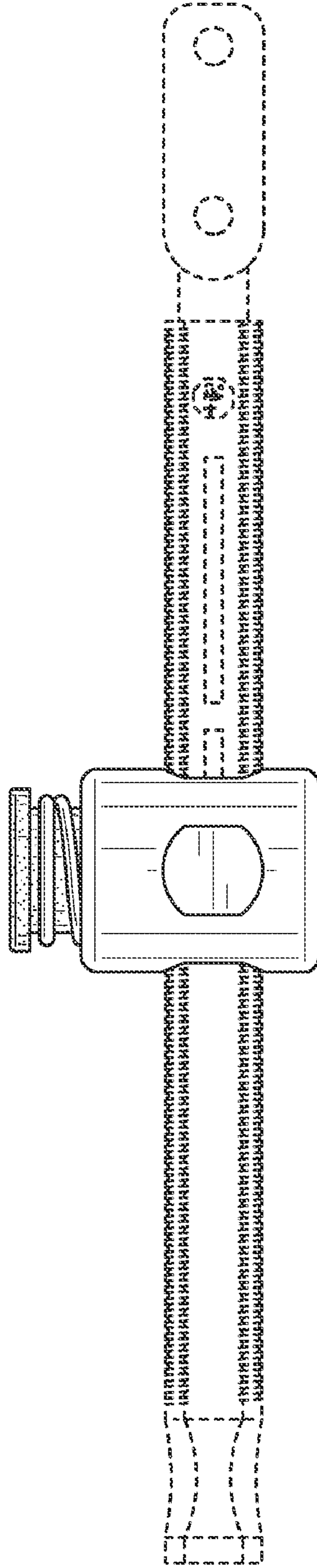


FIG. 7

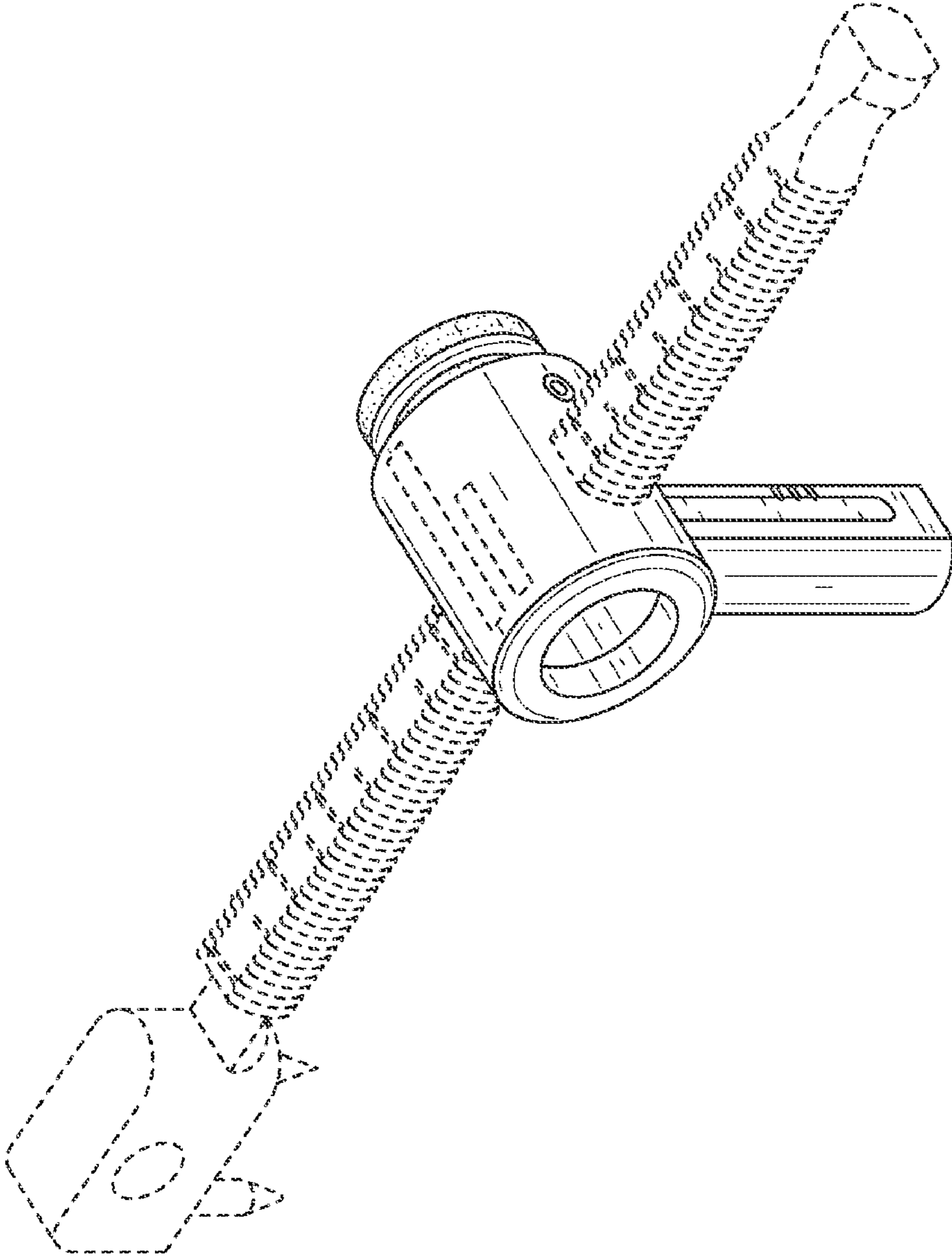


FIG. 8