



US00D651312S

(12) **United States Design Patent**
Halleck et al.

(10) **Patent No.:** **US D651,312 S**

(45) **Date of Patent:** **** *Dec. 27, 2011**

(54) **ENDOSCOPIC VIDEO CAMERA**

(75) Inventors: **Kevin E. Halleck**, Santa Barbara, CA (US); **Thomas J. Anhalt**, Goleta, CA (US); **Marco A. Torres**, Oxnard, CA (US); **Greg M. Chambers**, San Luis Obispo, CA (US); **Angeli Mancuso Ruiz**, Santa Barbara, CA (US)

(73) Assignee: **Karl Storz Imaging, Inc.**, Goleta, CA (US)

(*) Notice: This patent is subject to a terminal disclaimer.

(**) Term: **14 Years**

(21) Appl. No.: **29/359,940**

(22) Filed: **Apr. 16, 2010**

(51) **LOC (9) Cl.** **24-02**

(52) **U.S. Cl.** **D24/138; D16/202**

(58) **Field of Classification Search** D24/138, D24/137, 133; D16/202; 600/101-183
See application file for complete search history.

(56) **References Cited**

U.S. PATENT DOCUMENTS

D474,276 S * 5/2003 Greise et al. D16/219
D501,864 S * 2/2005 Greise et al. D16/219

D523,455 S * 6/2006 Greise et al. D16/202
D581,051 S * 11/2008 Melder D24/138
D587,804 S * 3/2009 Ruiz et al. D24/138
D607,032 S * 12/2009 Halleck et al. D16/202
D643,534 S * 8/2011 Halleck et al. D24/138
2005/0267329 A1* 12/2005 Konstorum et al. 600/112
2007/0276183 A1* 11/2007 Melder 600/112
2010/0069711 A1* 3/2010 Deng et al. 600/104

* cited by examiner

Primary Examiner — Bridget L Eland

(74) *Attorney, Agent, or Firm* — St. Onge Steward Johnston & Reens LLC

(57) **CLAIM**

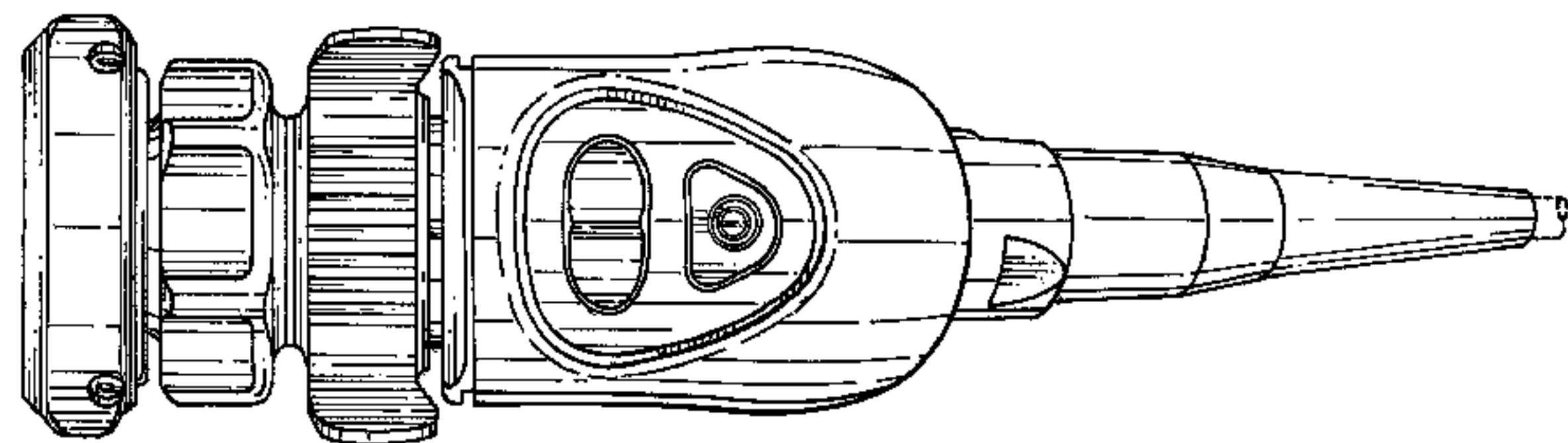
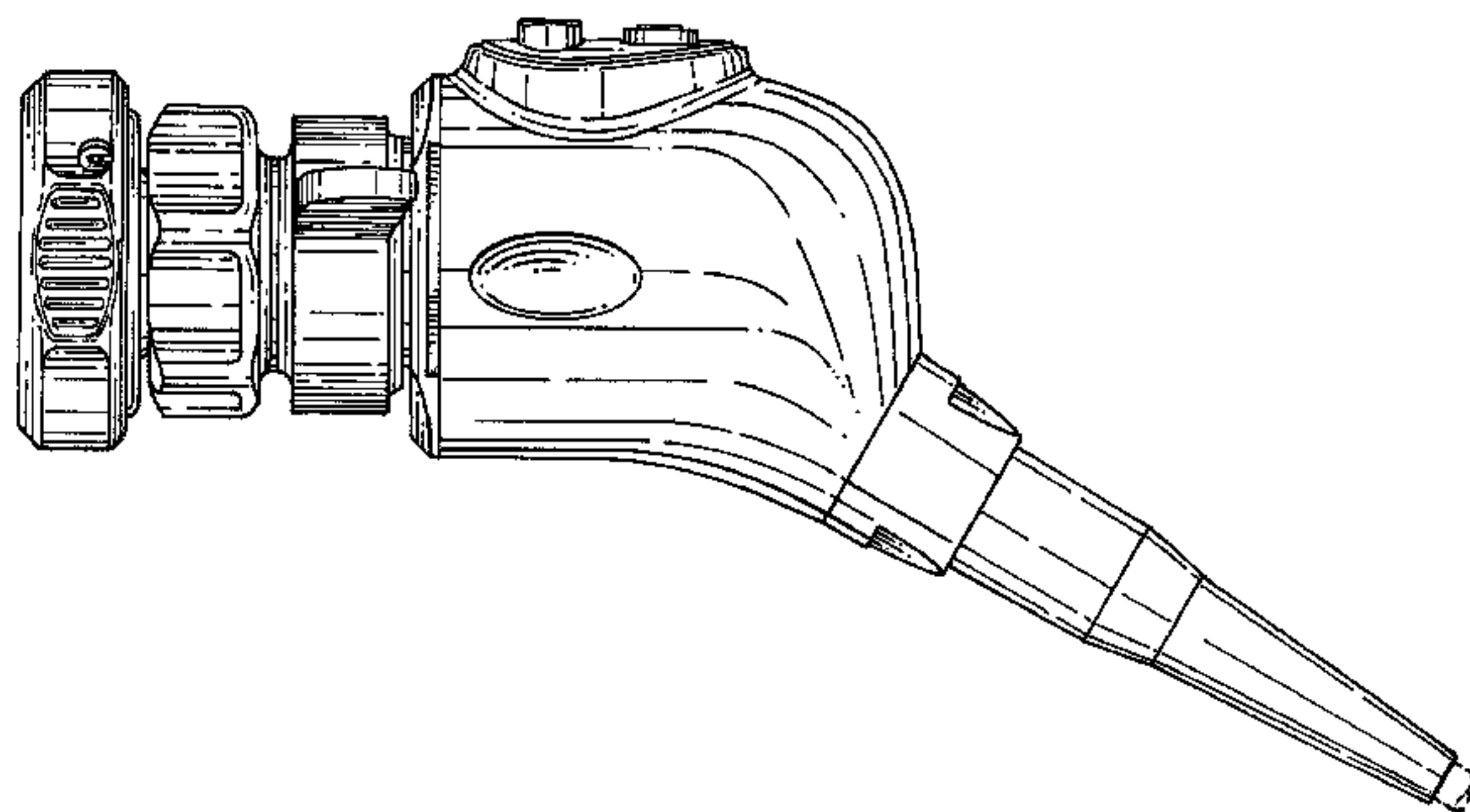
The ornamental design for an endoscopic video camera, as shown and described.

DESCRIPTION

FIG. 1 is an isometric view of an endoscopic video camera in accordance with the new design;
FIG. 2 is a right side elevation view thereof;
FIG. 3 is a left side elevation view thereof;
FIG. 4 is a top plan view thereof;
FIG. 5 is a bottom plan view thereof;
FIG. 6 is a front elevation view thereof; and,
FIG. 7 is a rear elevation view thereof.

The broken lines immediately adjacent the claimed areas represent the bounds of the claimed design while all other broken lines are directed to environment and are for illustrative purposes only; the broken lines form no part of the claimed design.

1 Claim, 7 Drawing Sheets



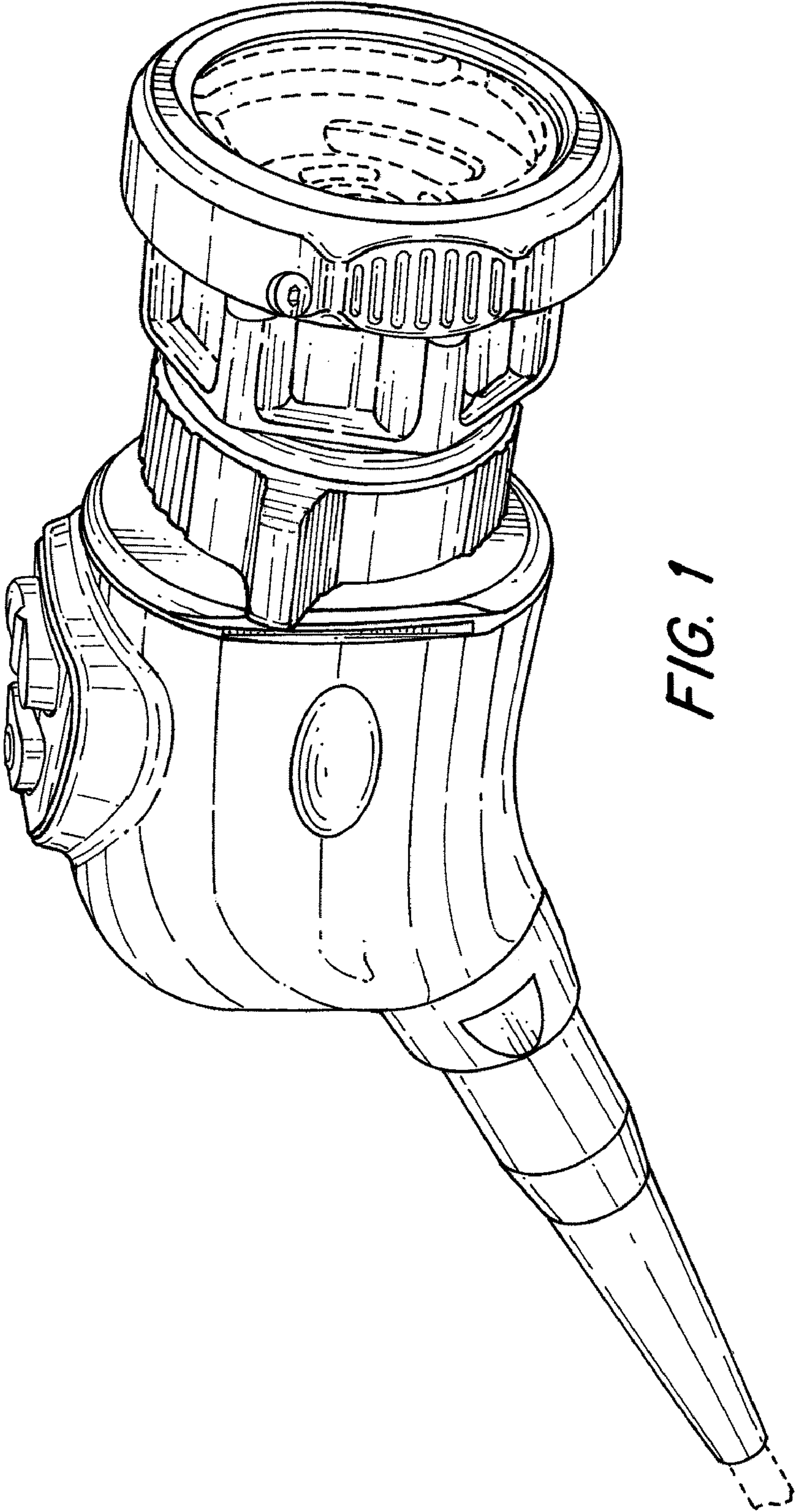


FIG. 1

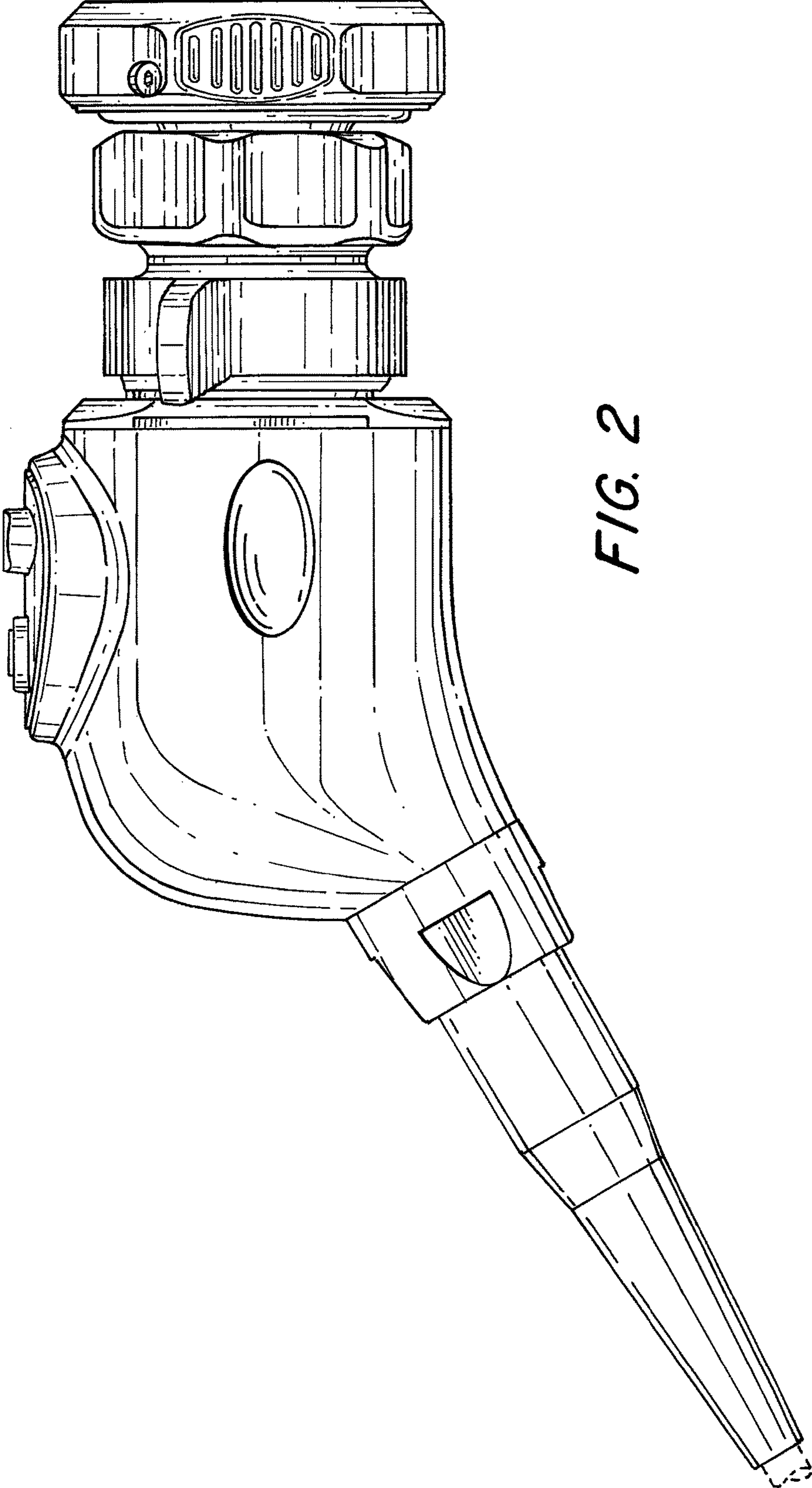


FIG. 2

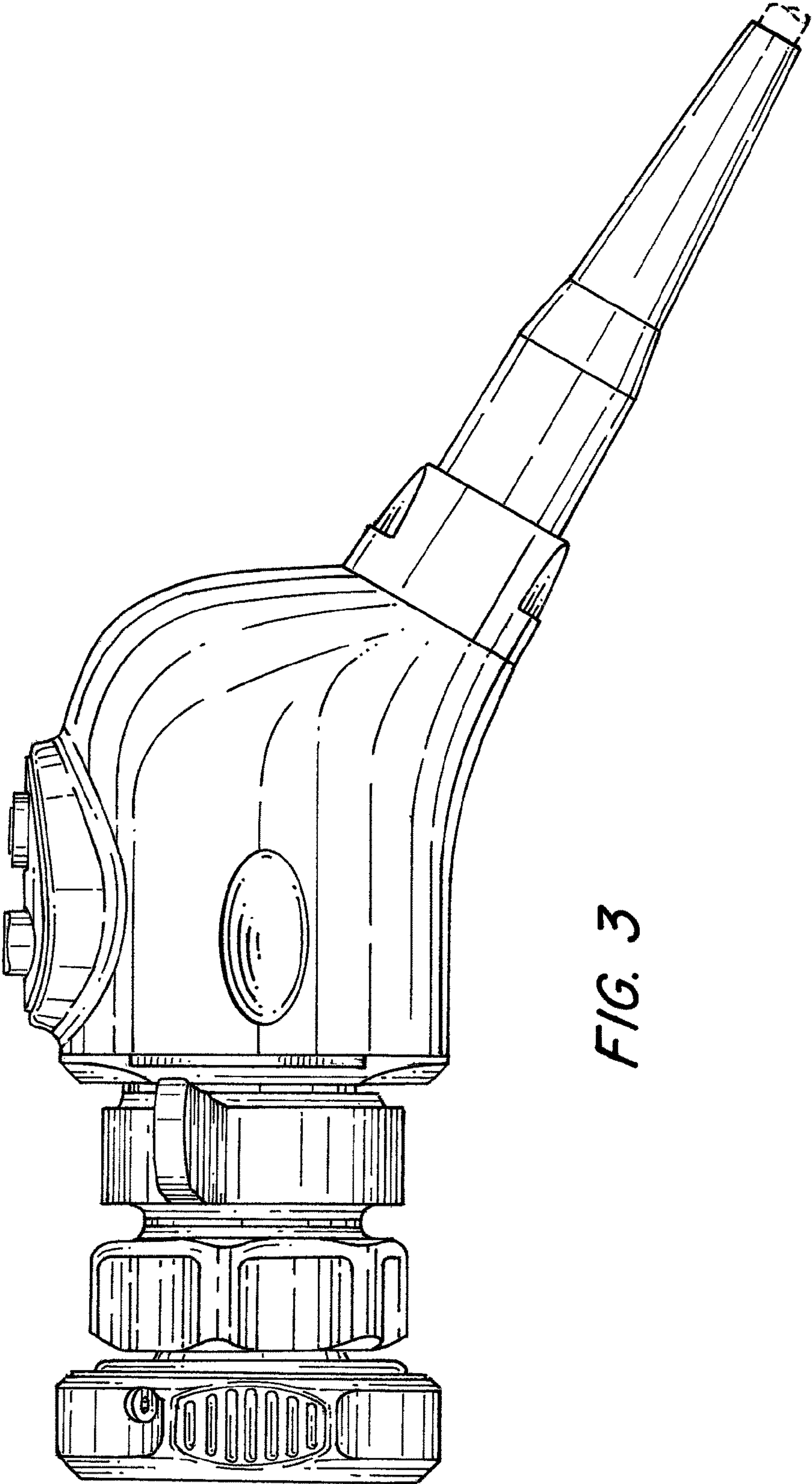


FIG. 3

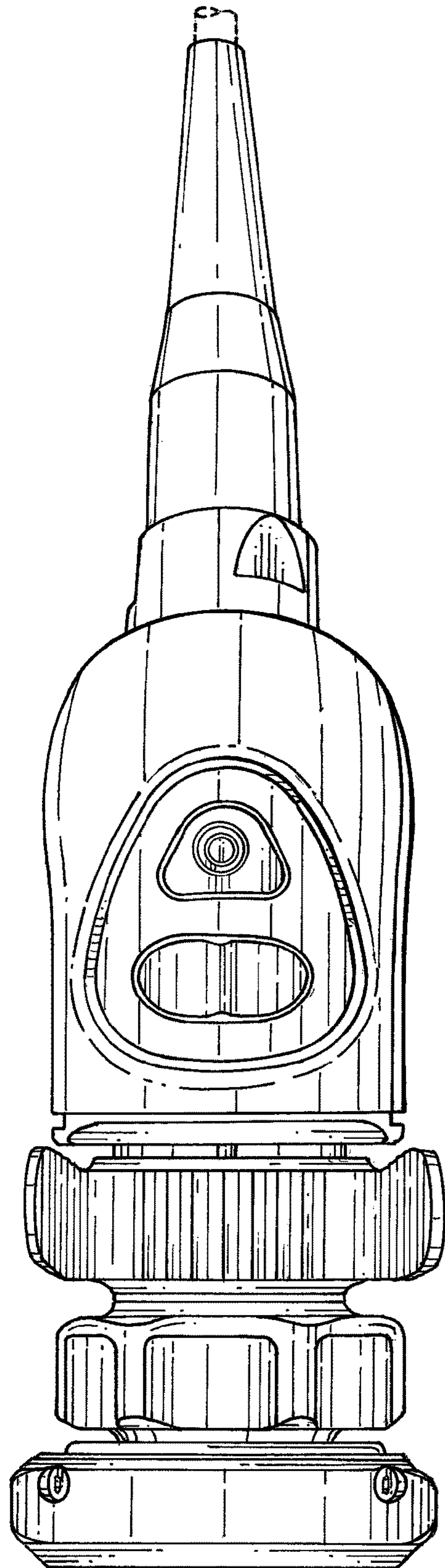


FIG. 4

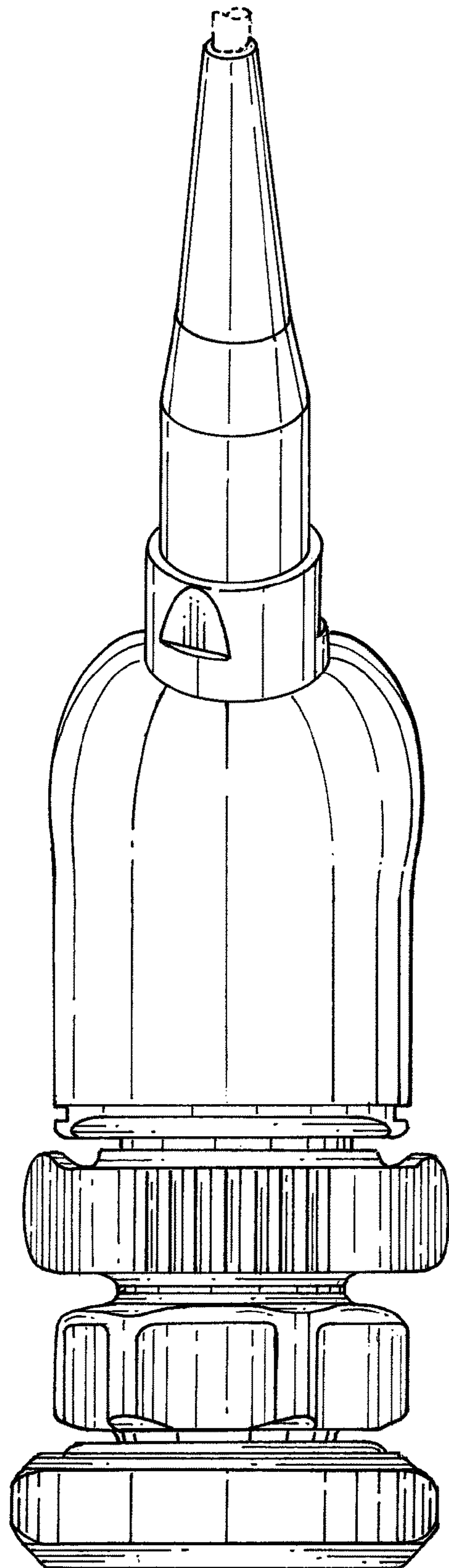


FIG. 5

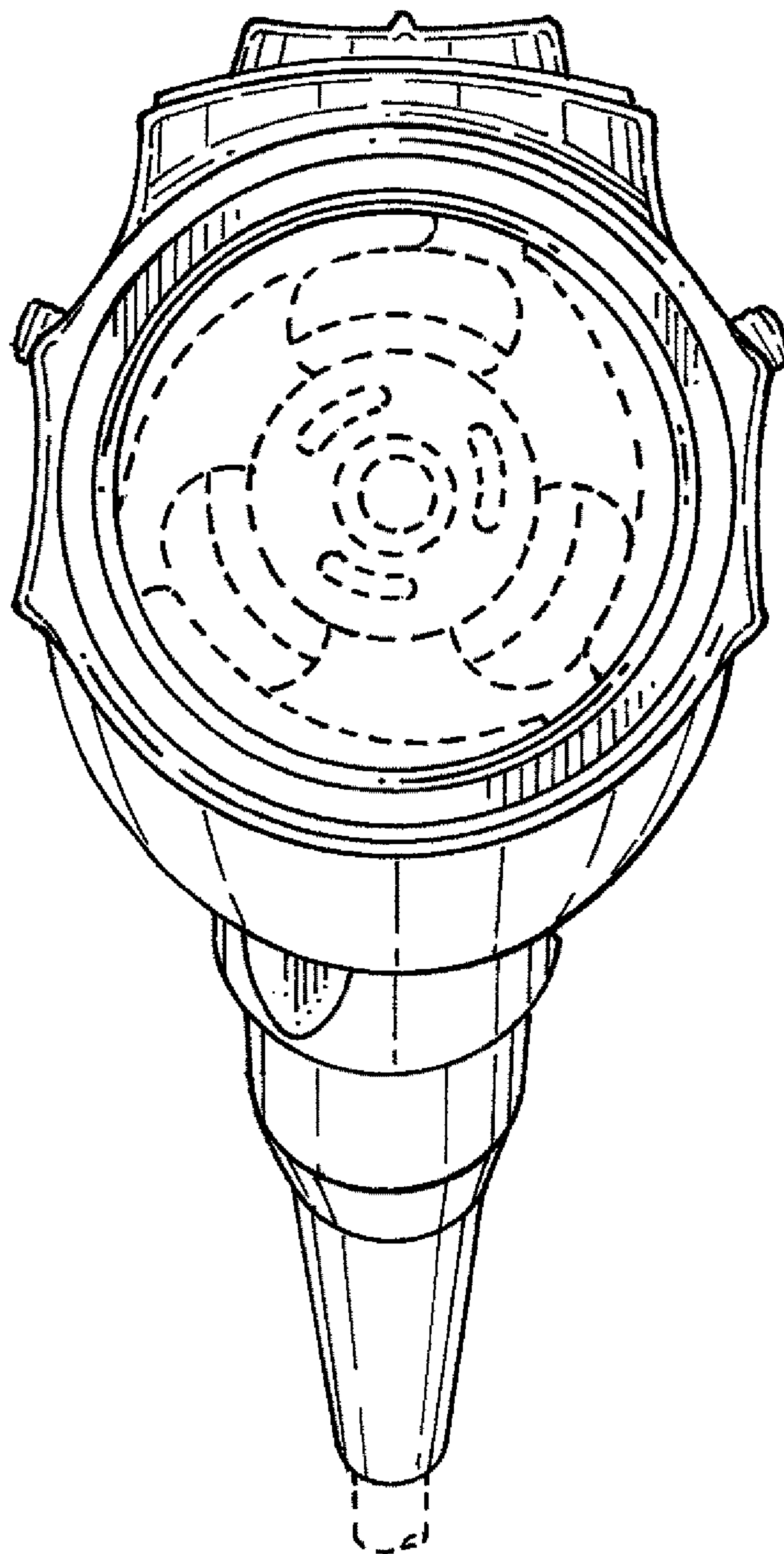


FIG. 6

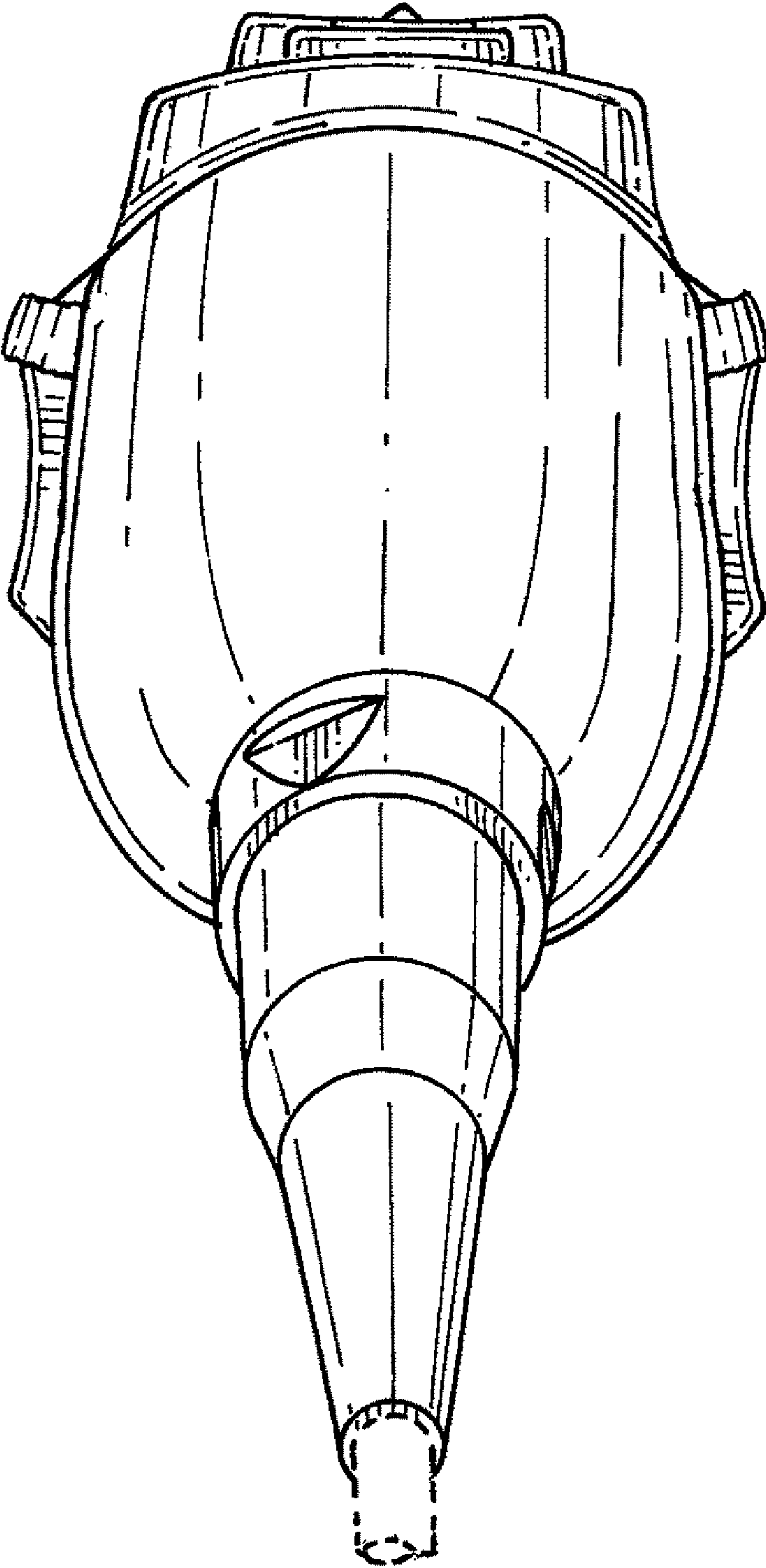


FIG. 7