



US00D651311S

(12) **United States Design Patent**
Triplett

(10) **Patent No.:** **US D651,311 S**

(45) **Date of Patent:** **** Dec. 27, 2011**

(54) **HANDLE FOR A SURGICAL INSTRUMENT**

(75) Inventor: **Daniel J. Triplett**, Providence, UT (US)

(73) Assignee: **Medicine Lodge, Inc.**, Logan, UT (US)

(**) Term: **14 Years**

(21) Appl. No.: **29/383,019**

(22) Filed: **Jan. 11, 2011**

(51) **LOC (9) Cl.** **24-02**

(52) **U.S. Cl.** **D24/133**

(58) **Field of Classification Search** D24/133,
D24/143, 144, 145, 146, 147; 606/1, 53,
606/80, 85, 167, 205-209, 210-211, 237,
606/142, 143, 151, 157

See application file for complete search history.

(56) **References Cited**

U.S. PATENT DOCUMENTS

1,470,914	A *	10/1923	Day	606/1
D66,449	S *	1/1925	Blount	D8/97
1,539,831	A *	6/1925	Day	606/1
D300,851	S *	4/1989	Grieshaber	D24/133
D308,322	S *	6/1990	Borden	D8/40
D343,900	S *	2/1994	DeVries	D24/133
D365,740	S *	1/1996	Smith	D8/93
5,938,685	A *	8/1999	Giurtino	606/208
D493,685	S *	8/2004	Dallas	D8/107
7,166,116	B2	1/2007	Lizardi	
D549,329	S *	8/2007	Aparici et al.	D24/133
7,377,926	B2	5/2008	Topper	
7,381,212	B2	6/2008	Topper	
D576,273	S *	9/2008	McClintok et al.	D24/113
2005/0143762	A1 *	6/2005	Paraschac et al.	606/148

2005/0192592	A1 *	9/2005	Butler et al.	606/114
2007/0255317	A1	11/2007	Fanton	
2007/0270885	A1	11/2007	Weinert et al.	
2009/0062819	A1	3/2009	Burkhart	
2010/0130990	A1	5/2010	Saliman	
2010/0241142	A1	9/2010	Akyuz	

* cited by examiner

Primary Examiner — Bridget L Eland

(74) *Attorney, Agent, or Firm* — Peter K. Johnson; James Larson; Barbara Daniels

(57) **CLAIM**

The ornamental design for a handle for a surgical instrument, as shown and described.

DESCRIPTION

FIG. 1 is a right perspective view of a handle for a surgical instrument, the left perspective view being a minor image of the right perspective view;

FIG. 2 is a right side view of the handle for a surgical instrument of FIG. 1; the left side view being a mirror image of the right side view;

FIG. 3 is a front end view of the handle for a surgical instrument of FIG. 1;

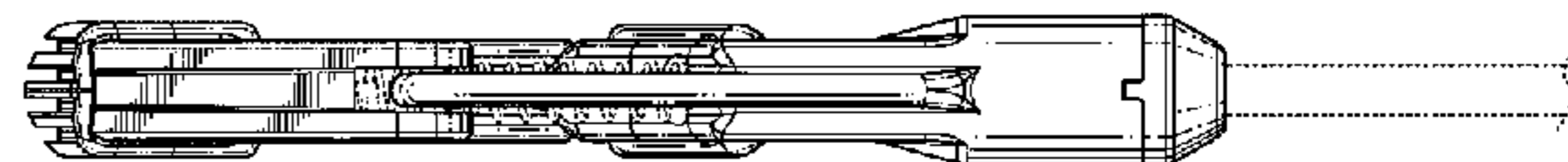
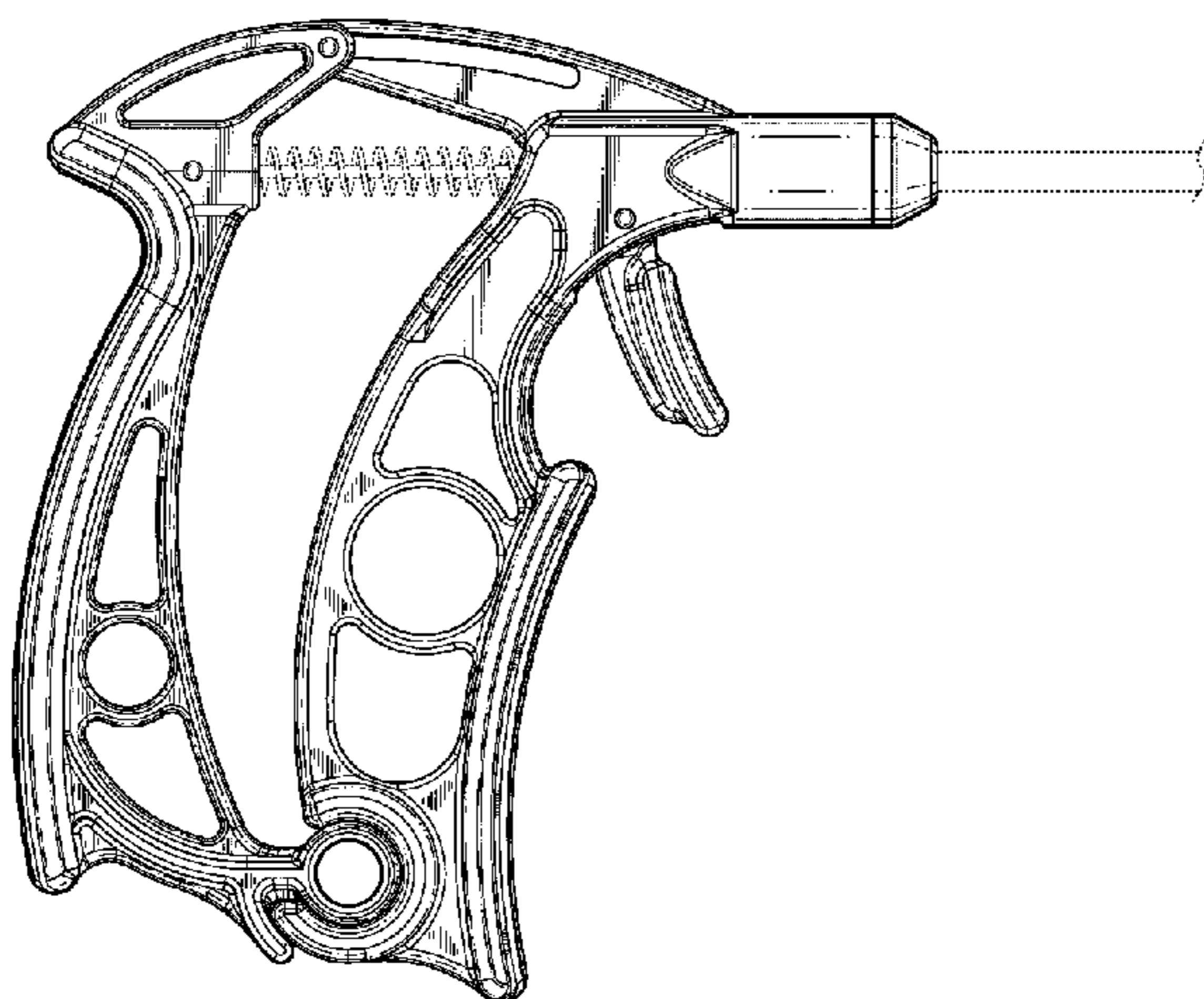
FIG. 4 is a back end view of the handle for a surgical instrument of FIG. 1;

FIG. 5 is a top view of the handle for a surgical instrument of FIGS. 1; and,

FIG. 6 is a bottom view of the handle for a surgical instrument of FIG. 1.

The portions of the article in broken lines are directed to environment and are for illustrative purposes only; the broken lines form no part of the claimed design.

1 Claim, 3 Drawing Sheets



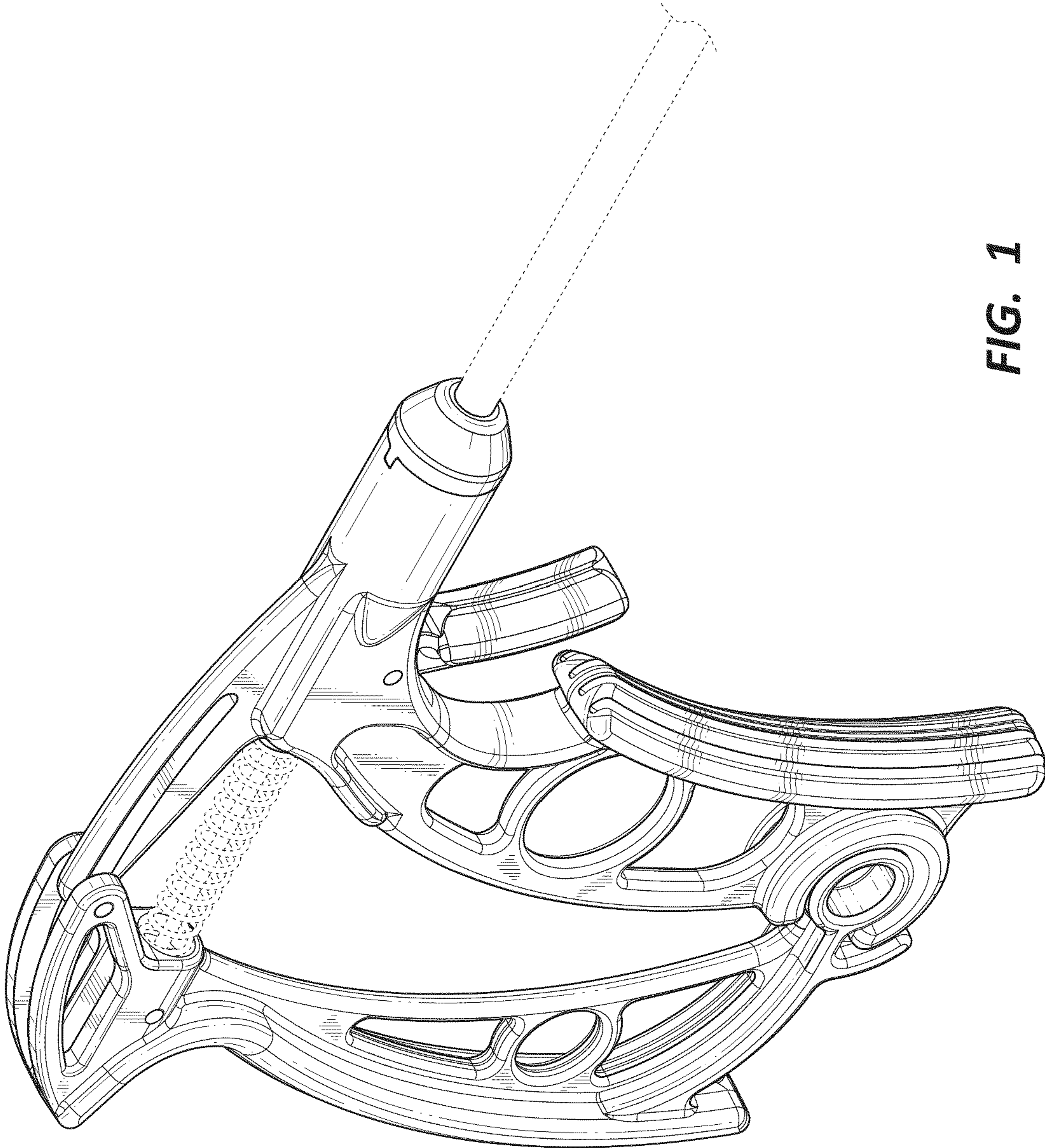


FIG. 1

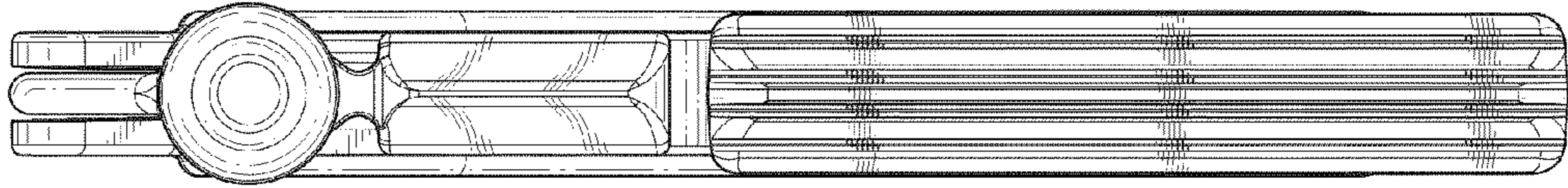


FIG. 3

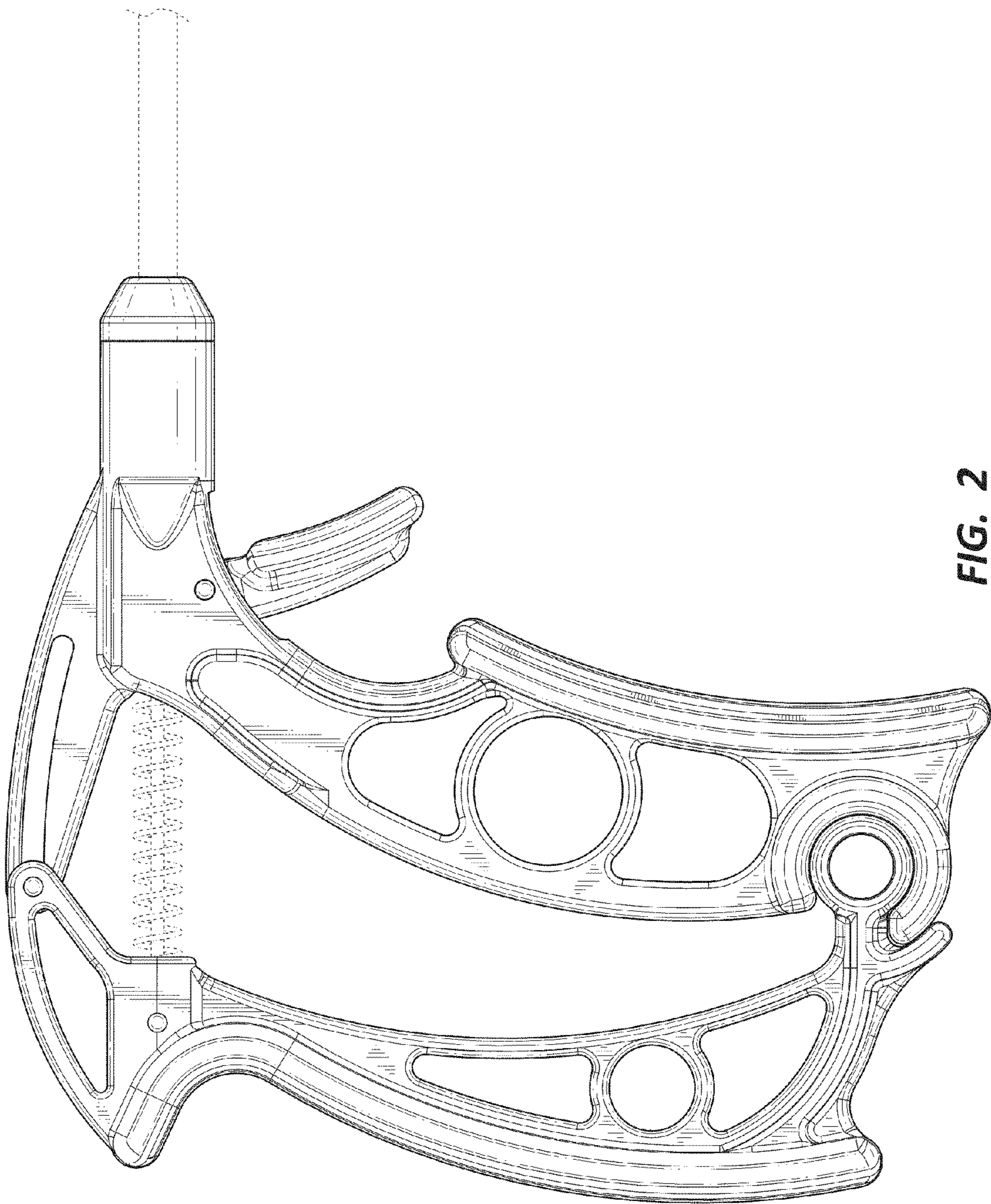


FIG. 2

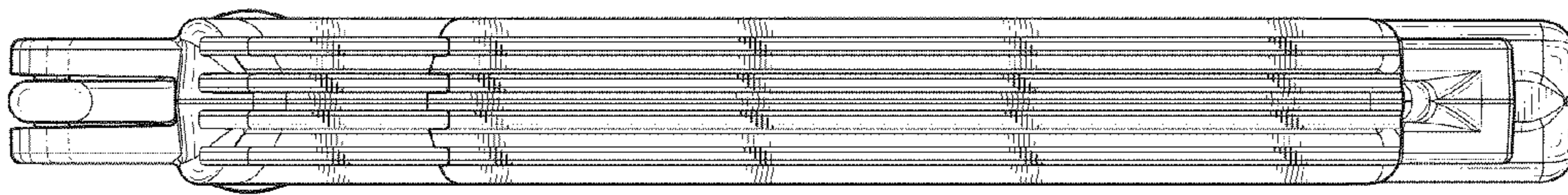


FIG. 4

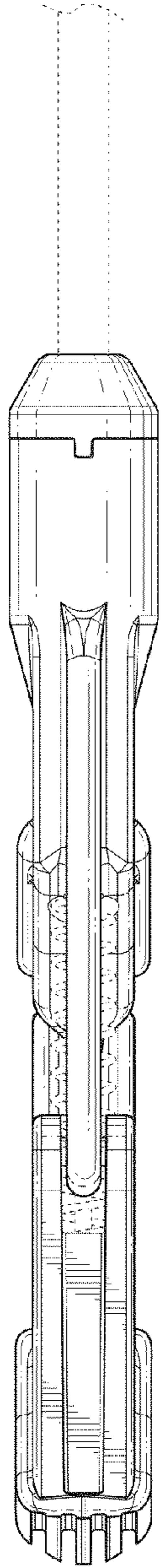


FIG. 5

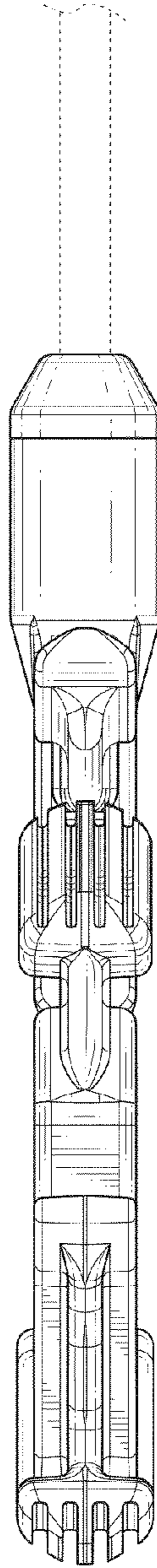


FIG. 6