



US00D651310S

(12) **United States Design Patent**  
**Claypool et al.**

(10) **Patent No.:** **US D651,310 S**

(45) **Date of Patent:** **\*\* Dec. 27, 2011**

(54) **INSERTER JAW FOR A PROSTHESIS  
IMPACTION AND EXTRACTION TOOL**

2002/0115987 A1\* 8/2002 Hildwein et al. .... 606/1  
2005/0124998 A1\* 6/2005 Coon et al. .... 606/99  
\* cited by examiner

(75) Inventors: **Jody L. Claypool**, Columbia City, IN  
(US); **Robert D. Krebs**, Warsaw, IN  
(US); **Jeff Blaylock**, Fort Wayne, IN  
(US); **John Dockstader**, Cedar Park, TX  
(US)

*Primary Examiner* — Bridget L Eland  
(74) *Attorney, Agent, or Firm* — Baker & Daniels LLP

(57) **CLAIM**  
The ornamental design for an inserter jaw for a prosthesis  
impaction and extraction tool, as shown and described.

(73) Assignee: **Zimmer, Inc.**, Warsaw, IN (US)

**DESCRIPTION**

(\*\*) Term: **14 Years**

FIG. 1 is a perspective view of an inserter jaw for a prosthesis  
impaction and extraction tool shown in an environment illus-  
trating our new design;

(21) Appl. No.: **29/362,747**

FIG. 2 is a top plan view of the inserter jaw for a prosthesis  
impaction and extraction tool shown removed from a portion  
of its environment in order to show aspects of the design that  
are not apparent in the perspective view;

(22) Filed: **May 28, 2010**

FIG. 3 is a bottom plan view thereof;

(51) **LOC (9) Cl.** ..... **24-02**

(52) **U.S. Cl.** ..... **D24/133**

(58) **Field of Classification Search** ..... D24/133,  
D24/140, 143, 144, 145, 146, 147, 155, 171;  
D8/72, 73, 74, 52, 56; 606/1, 53, 86 R, 87,  
606/88, 89, 99, 105, 205, 206, 211, 916,  
606/237

FIG. 4 is a left side elevation view thereof;

FIG. 5 is a right side elevation view thereof;

FIG. 6 is a rear end elevation view thereof, it being understood  
that the inserter jaw is not visible in the rear end elevation  
view;

See application file for complete search history.

FIG. 7 is a front end elevation view thereof; and,

FIG. 8 is an enlarged perspective view thereof shown in an  
environment.

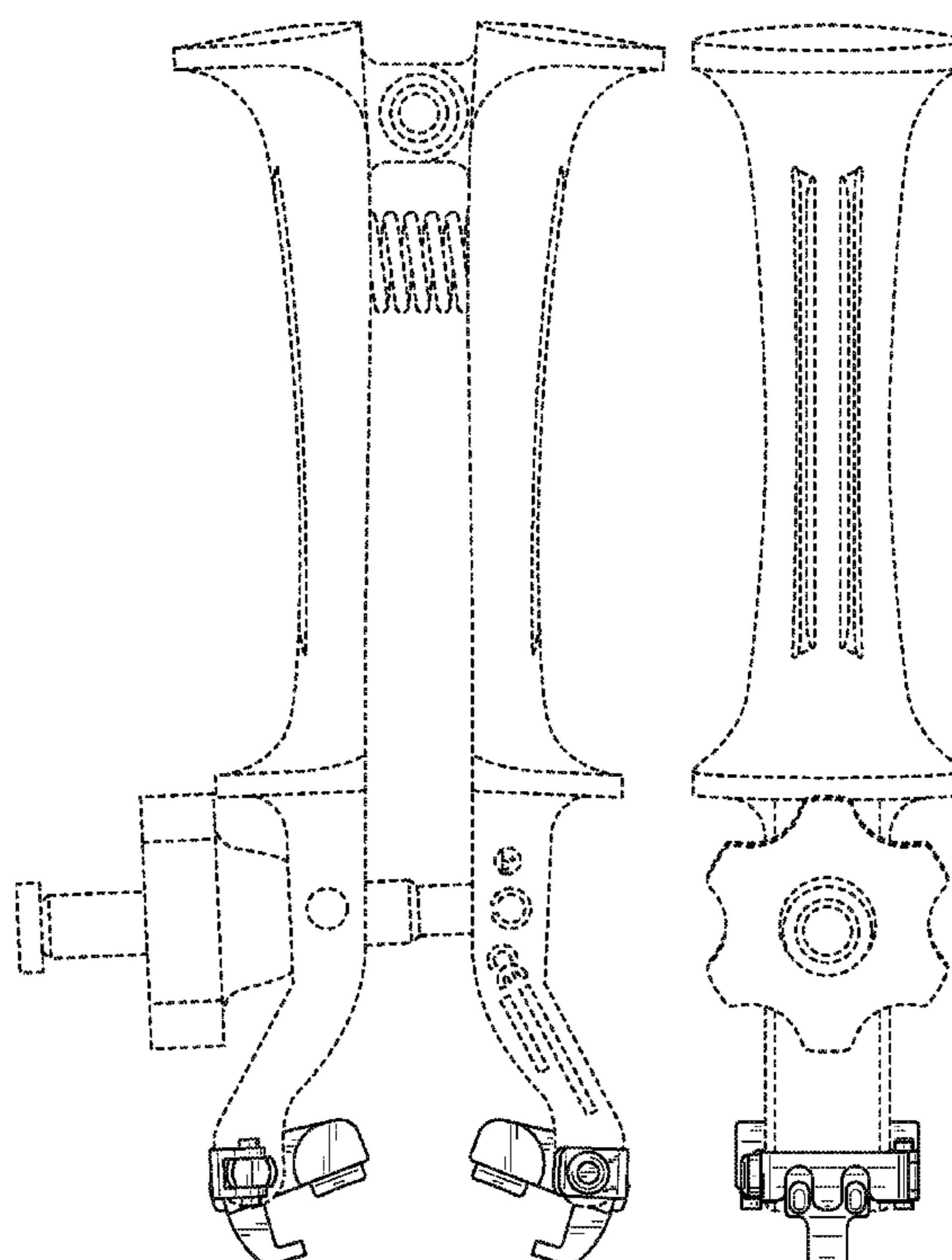
(56) **References Cited**

**U.S. PATENT DOCUMENTS**

5,167,662 A \* 12/1992 Hayes et al. .... 606/916  
D337,639 S \* 7/1993 Beckman ..... D24/133  
D372,309 S \* 7/1996 Heldreth ..... D24/133  
5,732,992 A \* 3/1998 Mauldin ..... 294/119.1  
D566,275 S \* 4/2008 Morrison et al. .... D24/155  
D638,541 S \* 5/2011 Claypool ..... D24/133

The evenly spaced broken lines shown that are immediately  
adjacent the shaded areas represent unclaimed boundaries  
while the remaining evenly spaced broken lines and the dot-  
dash broken lines are directed to environment and are for  
illustrative purposes only; the broken lines form no part of the  
claimed design.

**1 Claim, 6 Drawing Sheets**



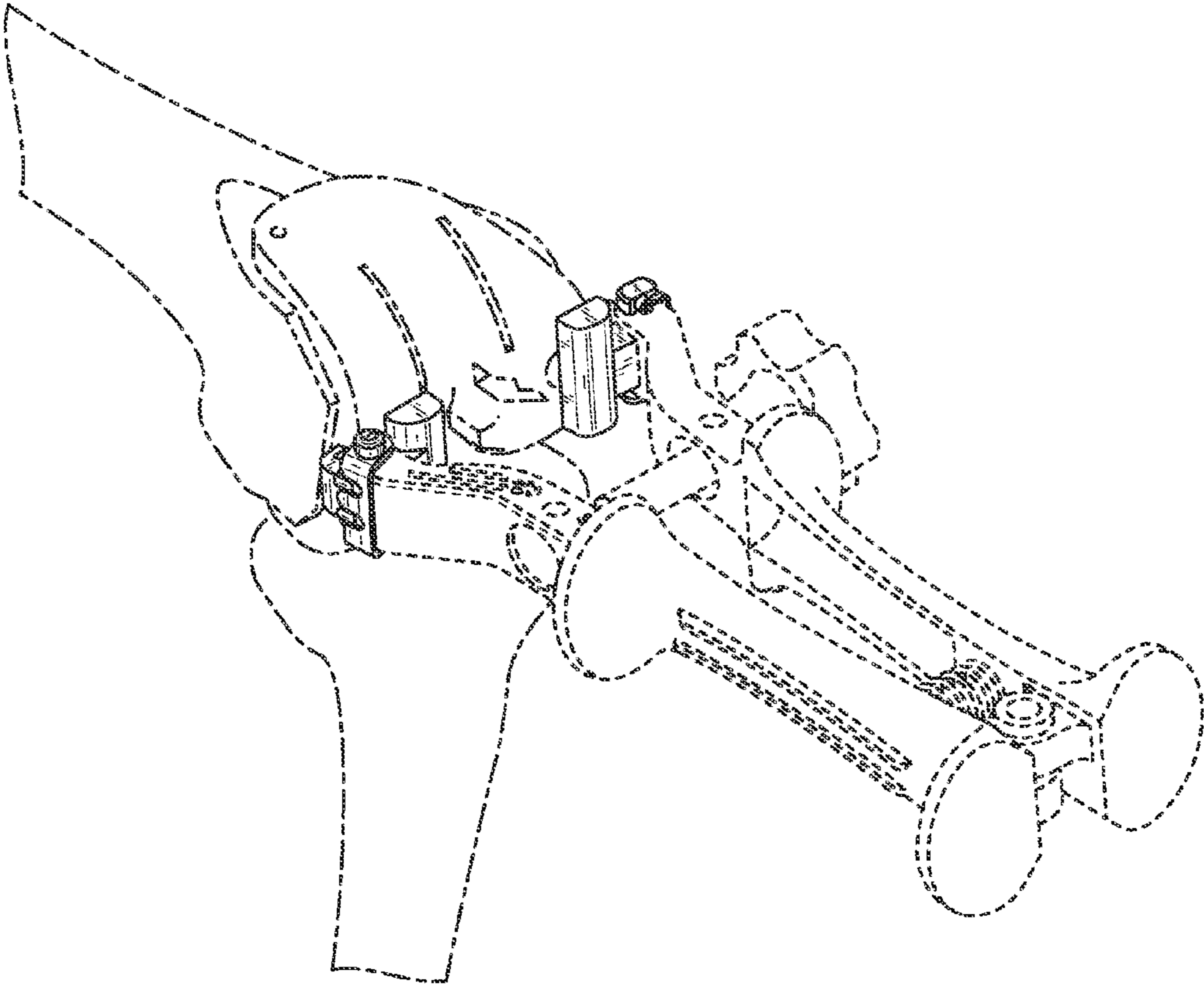


FIG. 1

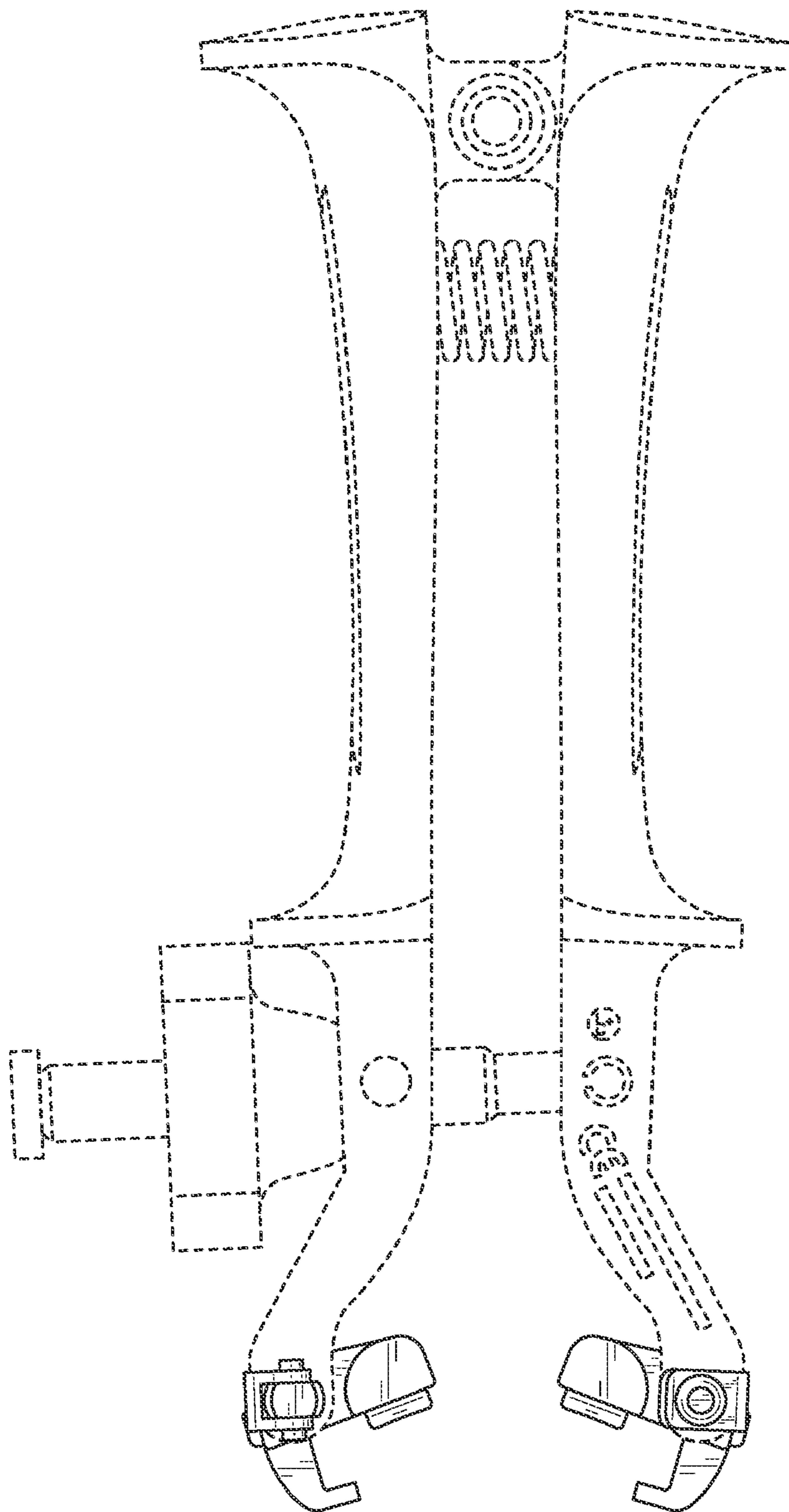


FIG. 2

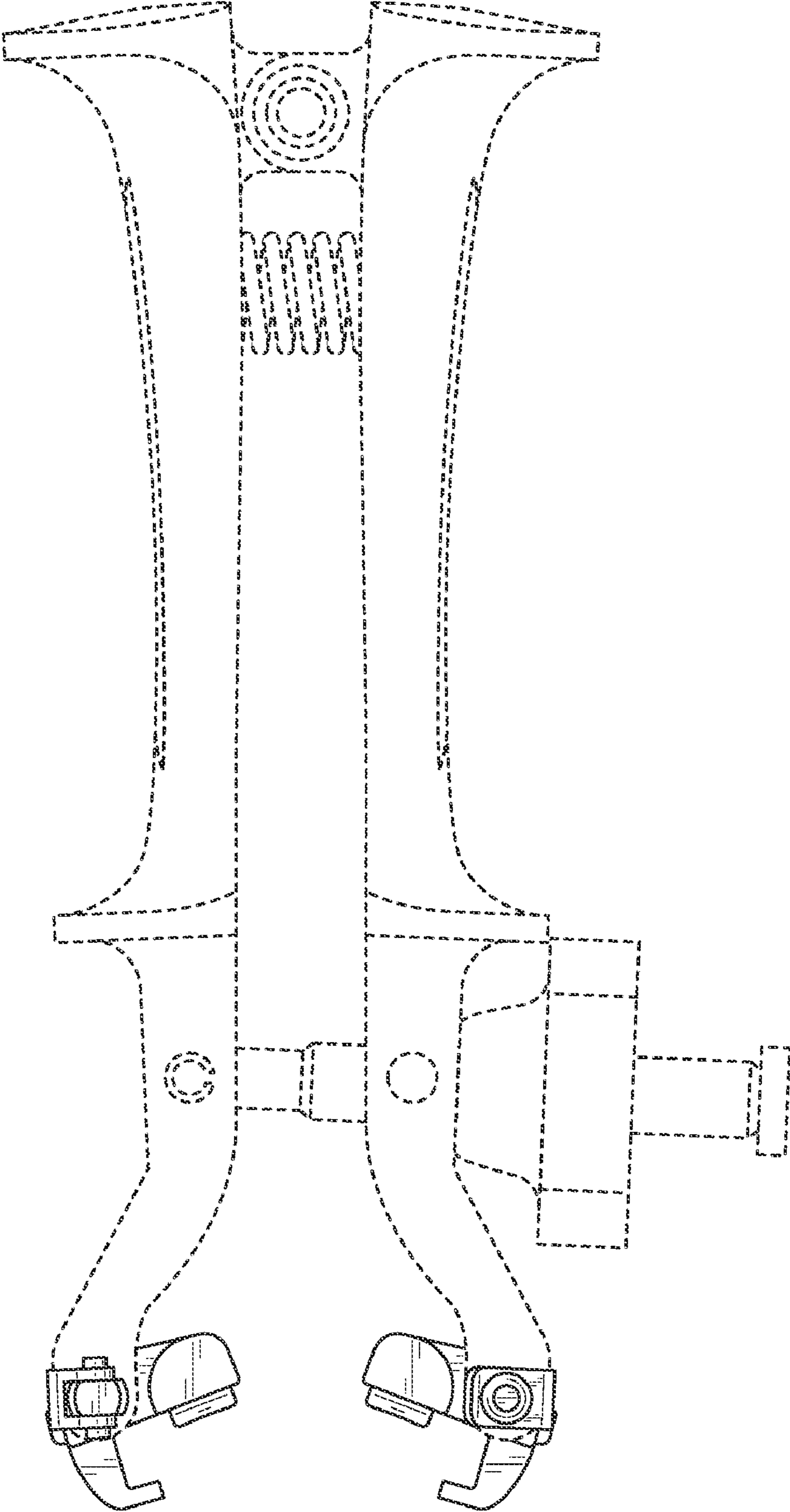


FIG. 3

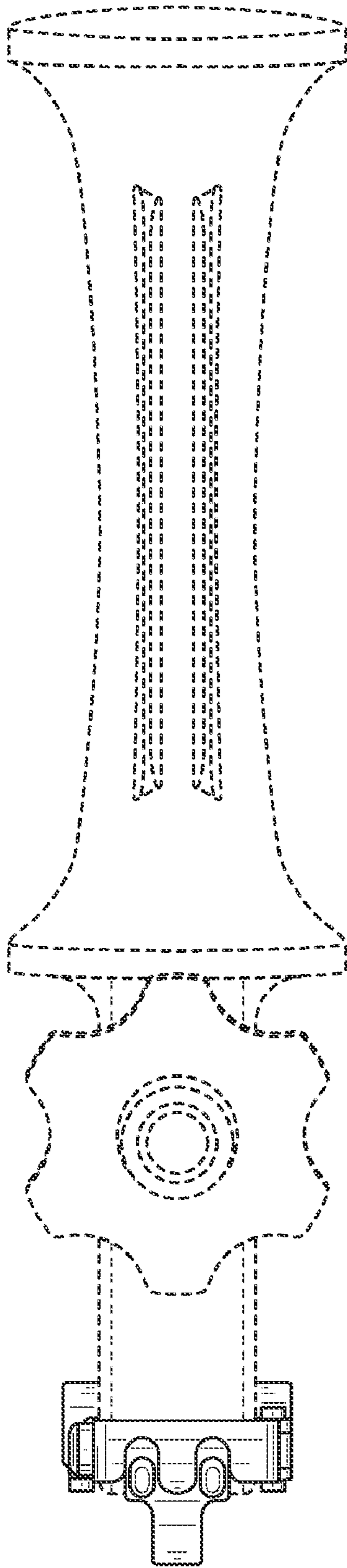


FIG. 4

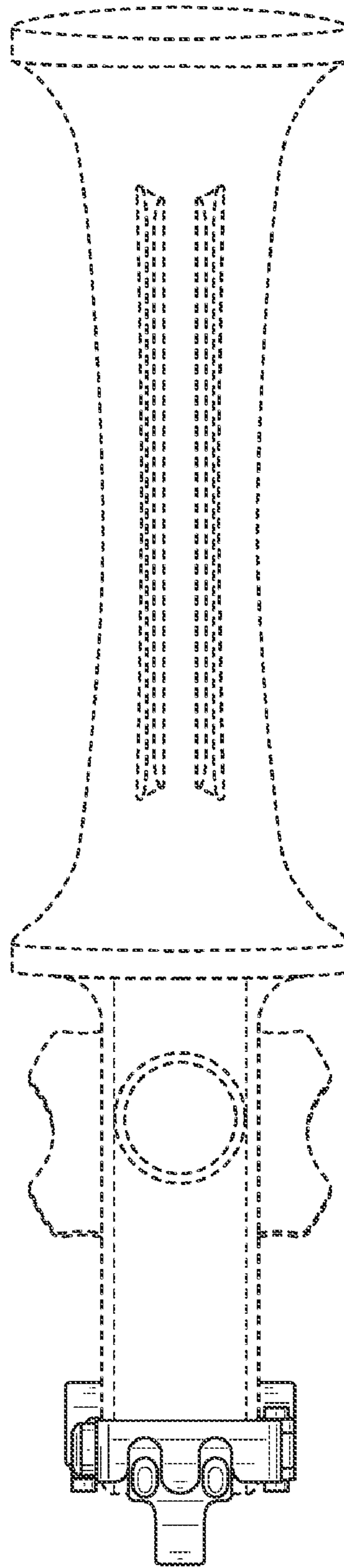


FIG. 5

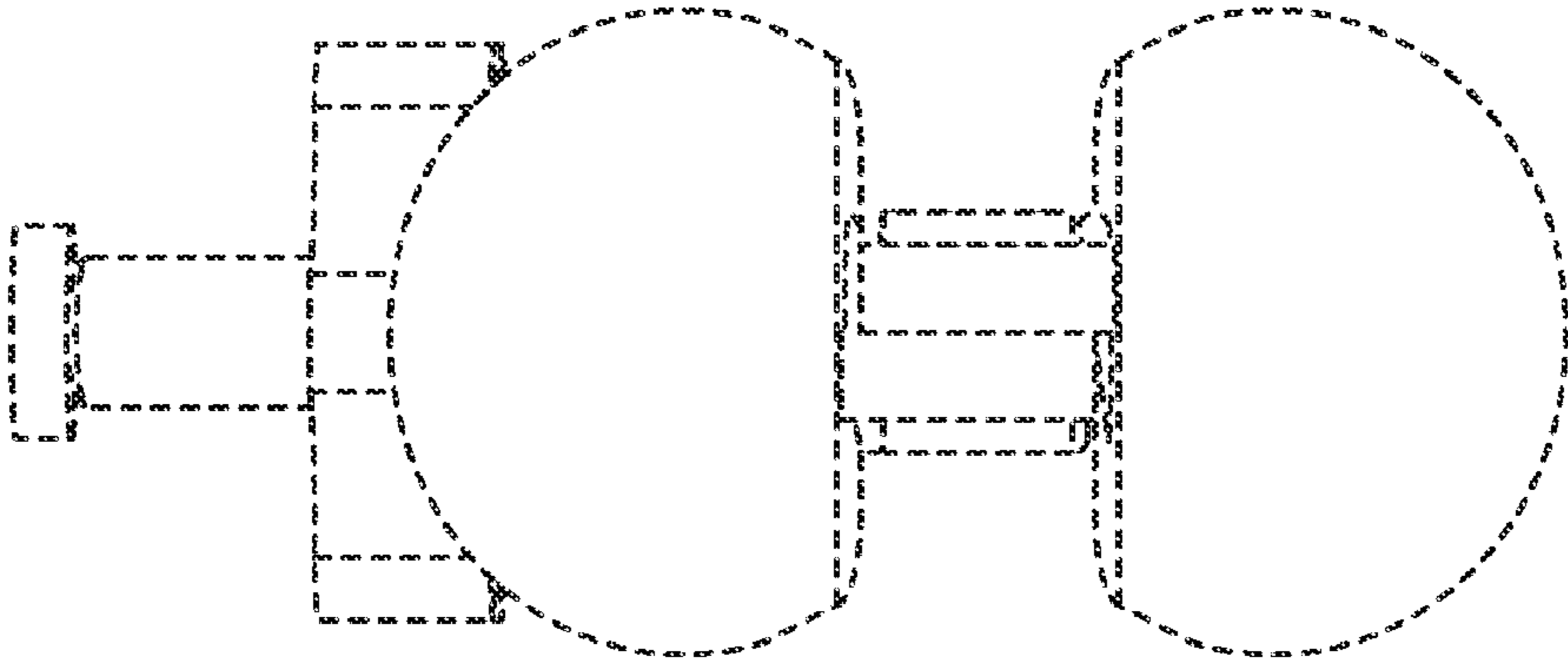


FIG. 6

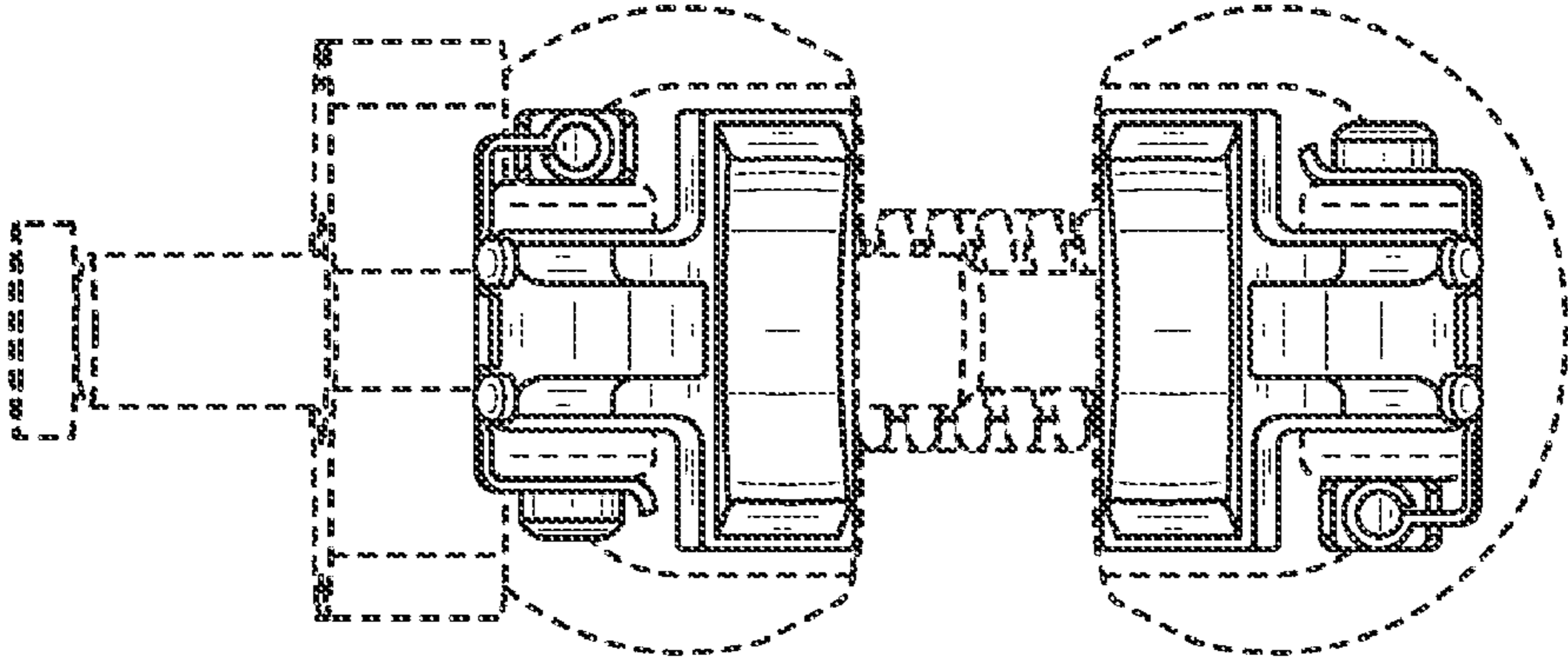


FIG. 7

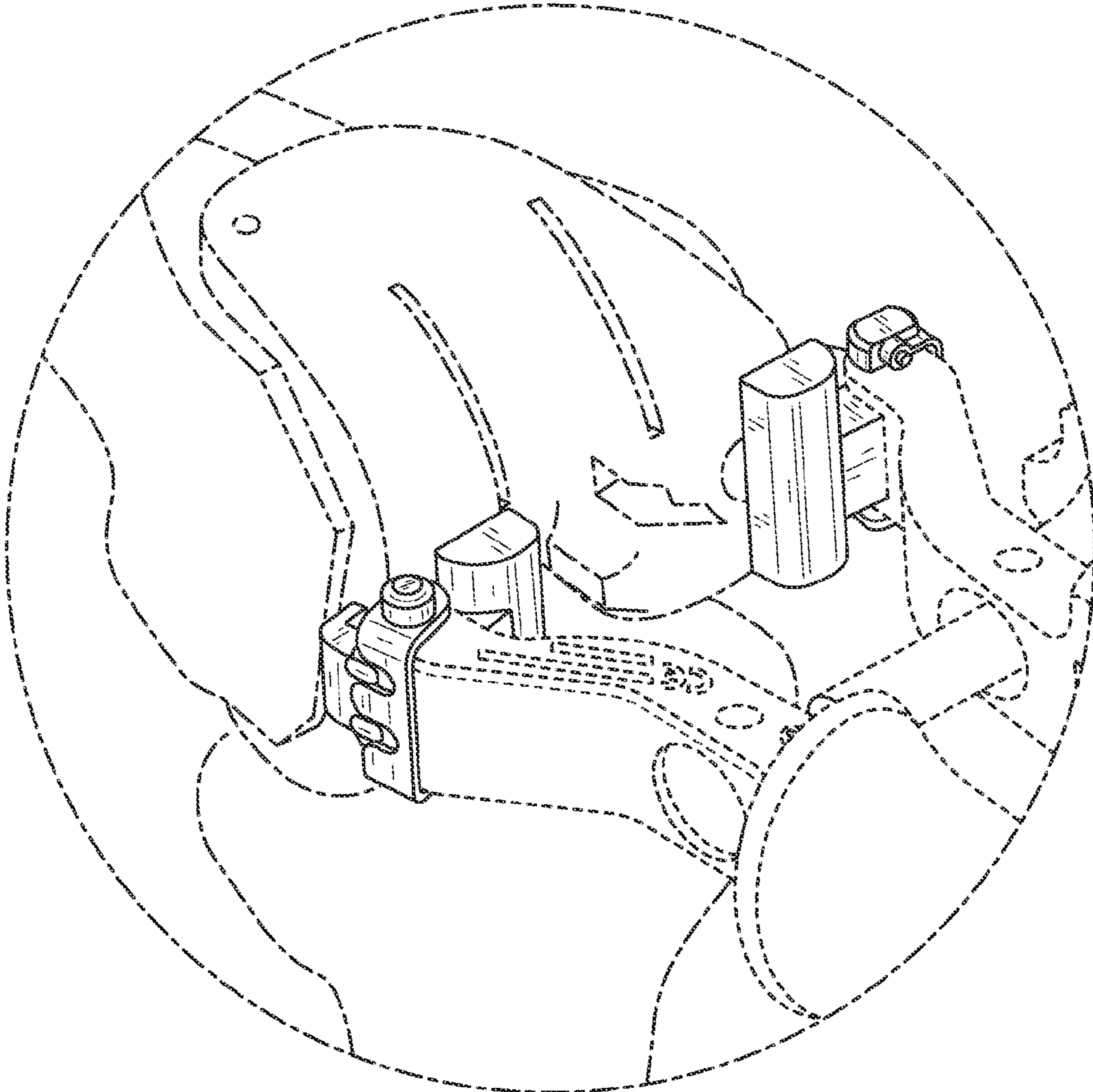


FIG. 8